

ARON™

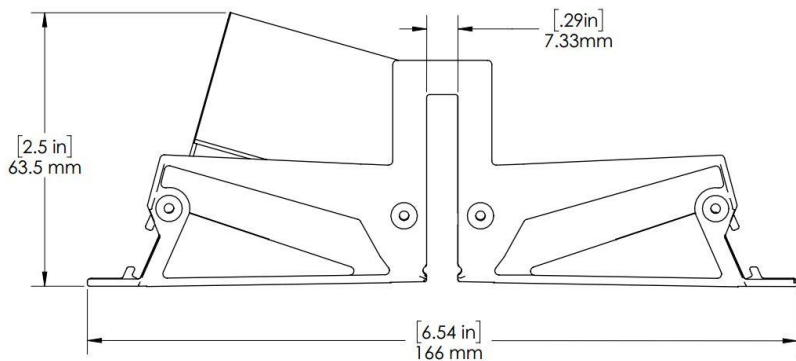
Light Delivered™



DUO T-Bar

Delivering the perfect beam of light with an innovative approach to recessed luminaires

Plenum space is no longer a concern with the DUO's shallow form factor

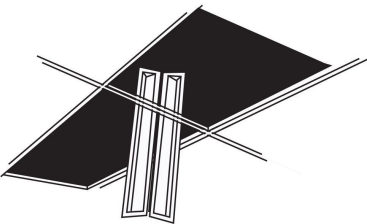


Compatible with all grid types and dimensions

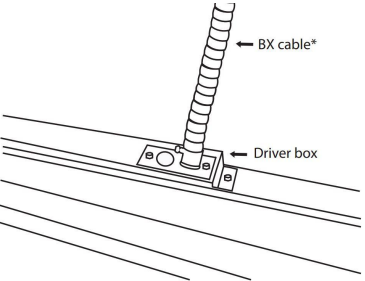
- ✓ 9/16
- ✓ 15/16
- ✓ Bolt/Screw Slot
- ✓ Flat Panel
- ✓ Tegular Panel

Installation of the DUO T-Bar is extremely simple with its patent pending profile for mounting on any T-grid system.

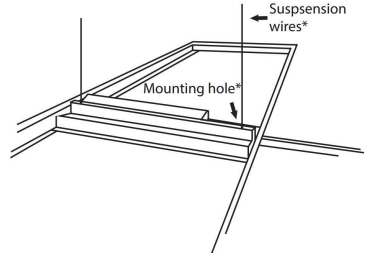
1. Fixture is mounted on the grid



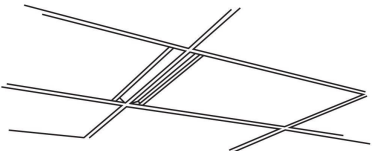
2. Integral driver is easily accessible for wiring



3. Support fixture with suspension wires through pre-drilled suspension holes and securing to ceiling



4. Lay cut ceiling panels* onto each flange of fixture



*Take advantage of the Armstrong Ceilings Fastsize Custom Panel program for precut and finished tiles.



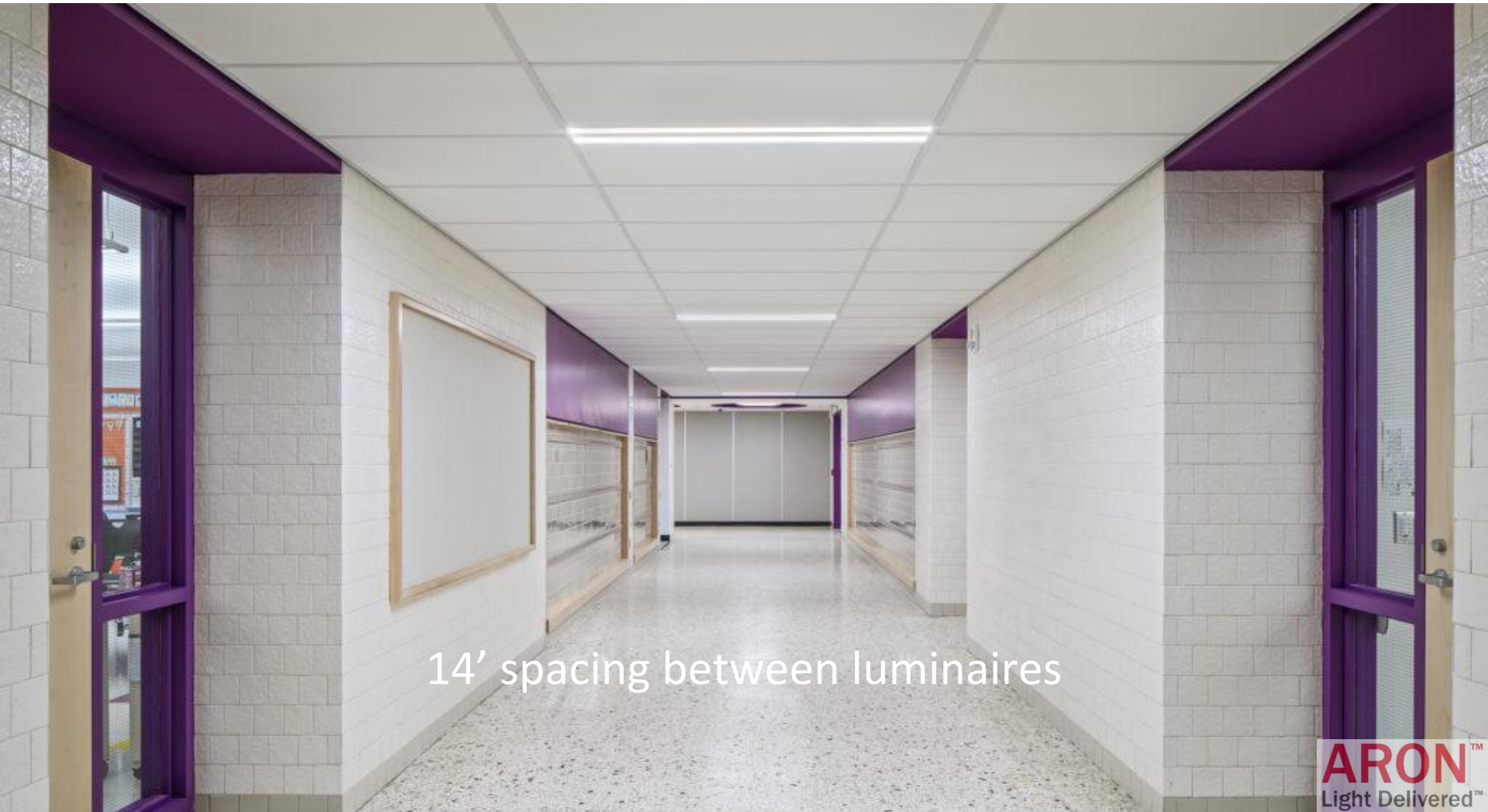
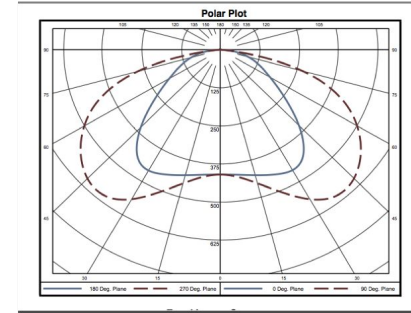
Beam X Platform

High performing optical system providing 3 different beam distributions for the ideal ceiling layout, luminaire spacing and visual comfort.

Medium, Wide, Super-wide beam distributions, the choice is yours....

B3 Polar Plot - Super Wide

- ✓ Wider fixture spacing while maintaining uniformity
- ✓ Fewer fixtures needed to light the space
- ✓ Visual Comfort
- ✓ High efficiency
- ✓ DLC Listed



14' spacing between luminaires



CAPETOWN

OWN

ARONTM
Light DeliveredTM

Exceeding Expectations