

CHIARO

BACKLIGHT

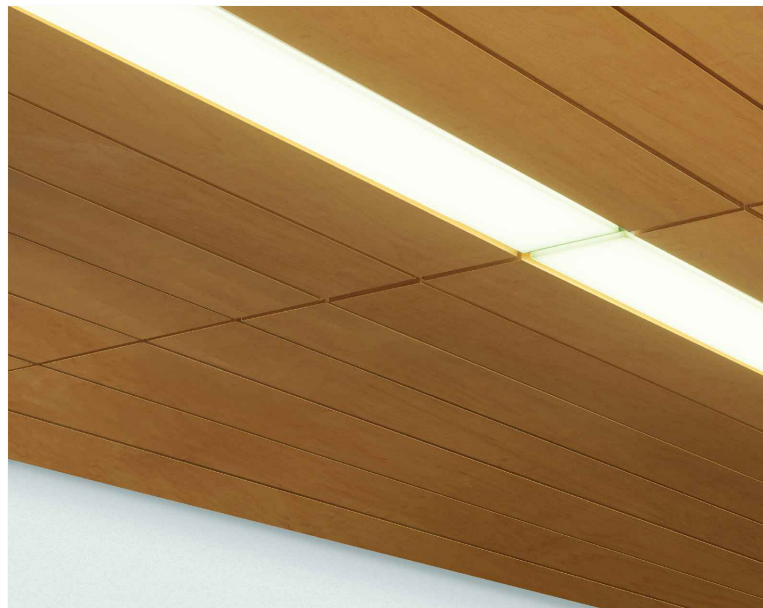
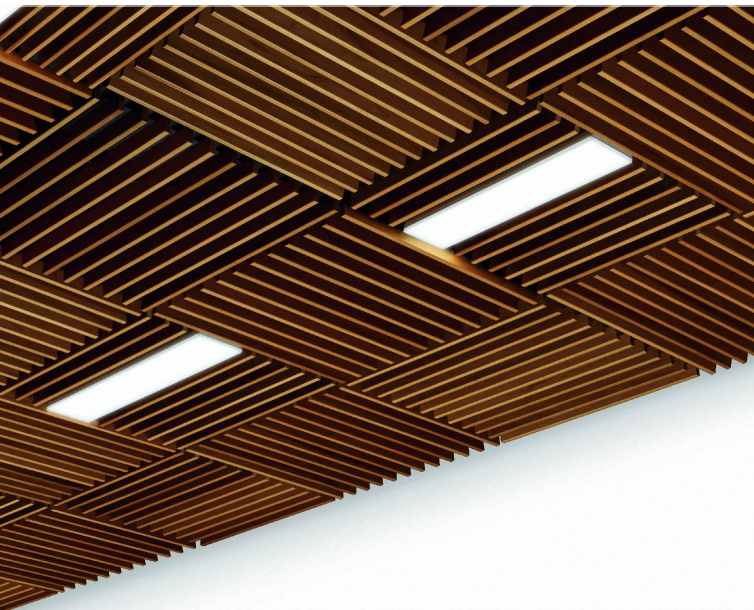
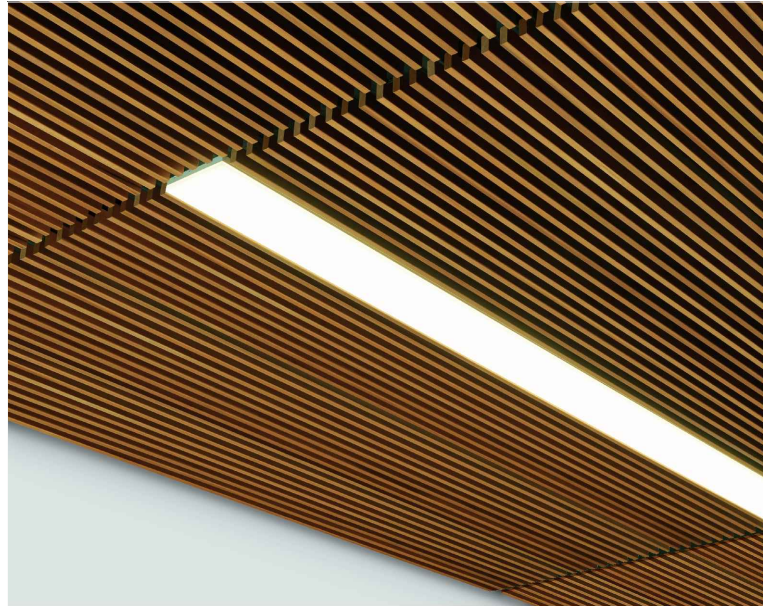
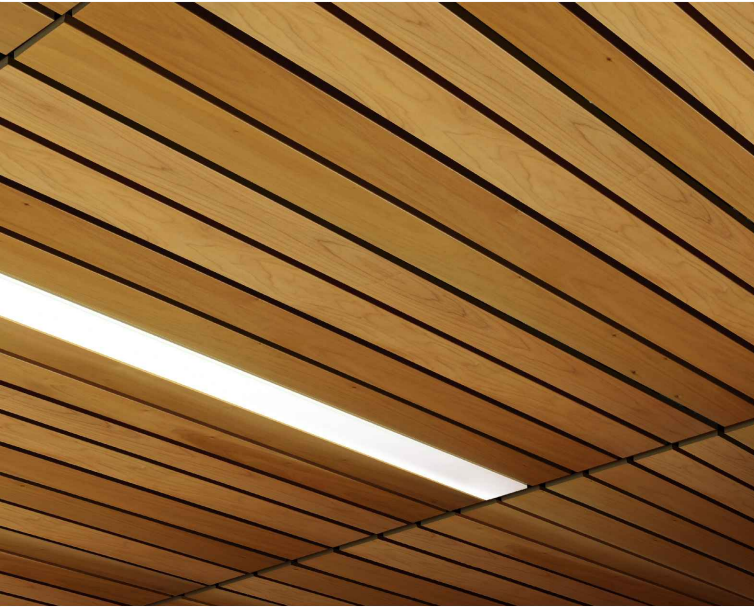
uniform lighting integration for

Armstrong[®]
CEILING SOLUTIONS

CHIARO is a line of low profile linear lighting fixtures designed and produced in Italy by Backlight® in cooperation with Armstrong® ceiling solutions.



Able to be seamlessly integrated into WoodWorks® ceilings using Armstrong's Integrated Light Connection Clips, CHIARO is the perfect uniform seamless linear light. These lighting fixtures are part of a tested solution in partnership with Armstrong. Contact Armstrong's TechLine for supporting documentation: techline@armstrongceilings.com



CHIARO

uniform lighting integration for
Armstrong® WoodWorks® Ceiling Systems

Lighting Collection for

- 6 WOODWORKS® LINEAR SOLID WOOD PANELS
Coordinating WoodWorks Panel Items: 8176W1 and 8177W1
- 16 WOODWORKS® GRILLE
Coordinating WoodWorks Panel Items: 7263BO, 7264BO, 7265BO, 7266BO, 7094BO, 7095BO and 7097BO
- 30 WOODWORKS® GRILLE TEGULAR
Coordinating WoodWorks Panel Items: 662808, 663008, 662812, 663012, 662912 and 663112
- 66 WOODWORKS® LINEAR VENEERED PANELS
Coordinating WoodWorks Panel Items: 6690W1 and 6691W1

CHIARO

CHIARO



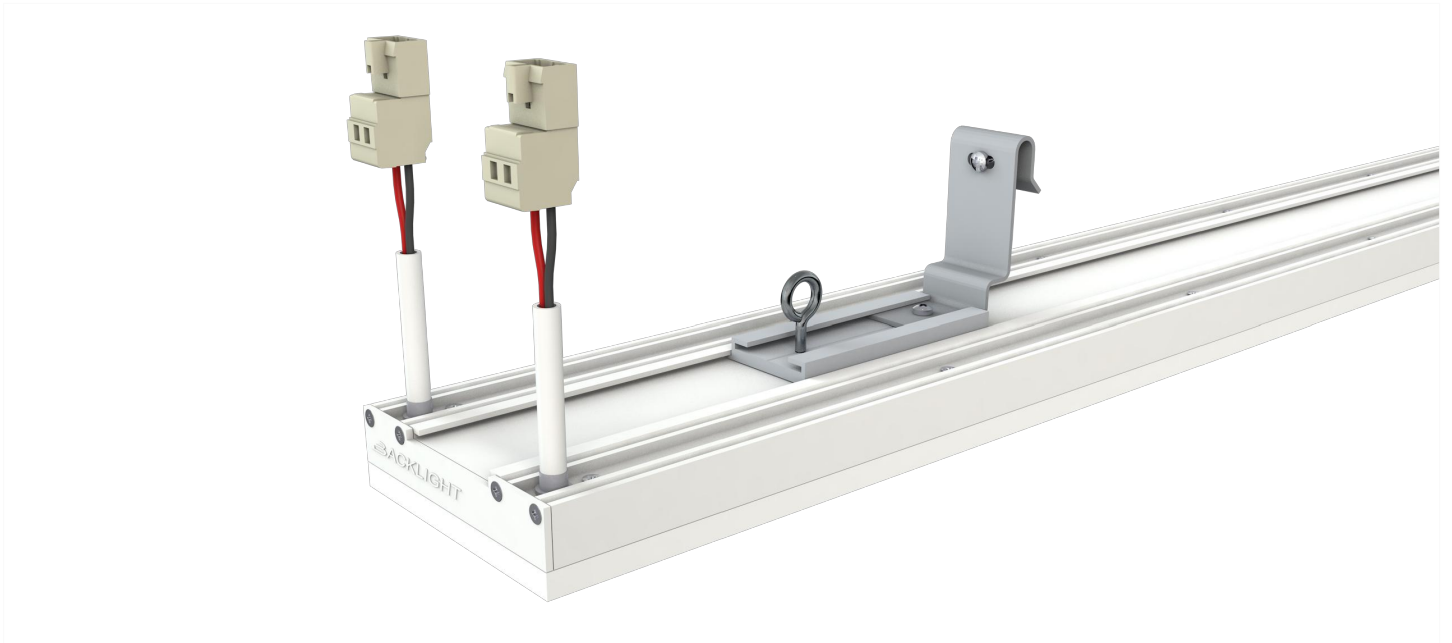
WoodWorks® Linear Solid Wood panels in Maple with 5.25" x 95" linear light fixture
(Coordinating WoodWorks Panel Items: 8176W1 and 8177W1)

Backlight CHIARO for WoodWorks® Linear Solid Wood Panels

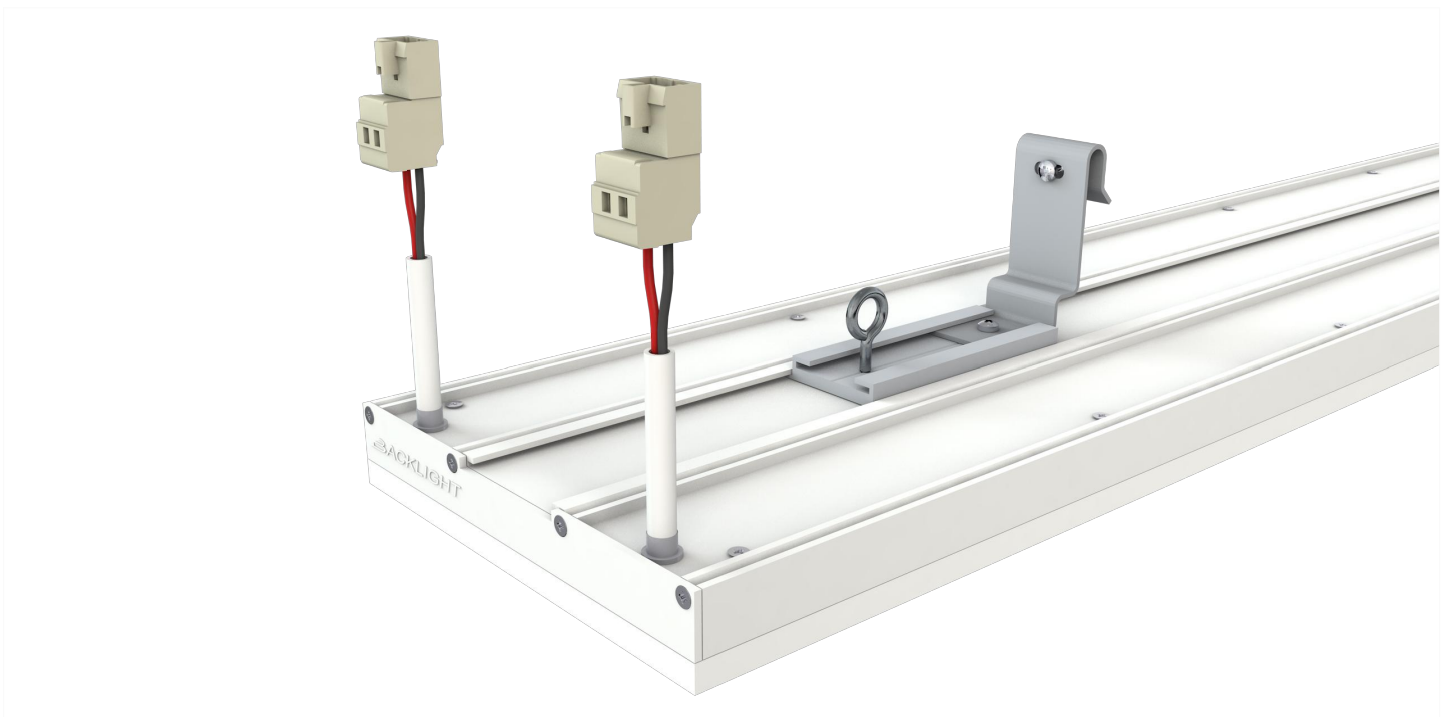
Coordinating WoodWorks Panel Items: 8176W1 and 8177W1

- 8 CHIARO MODELS
- 9 TECHNICAL SPECS
- 10 CHIARO model 3.25" x 95" (cod. BKL UL 00 1782)
- 12 CHIARO model 5.25" x 95" (cod. BKL UL 00 1783)
- 14 INSTALLATION DETAILS by Armstrong® Ceiling Solutions
- 15 HOW TO ORDER

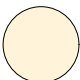





3.25" x 95" (cod. BKL UL 00 1782)



5.25" x 95" (cod. BKL UL 00 1783)



GENERAL SPECIFICATION

COLOUR TEMPERATURE	 Nominal 3000 K (and other K under request)
INPUT VOLTAGE	24V DC
DRIVER	AC DC 24V DC OUTPUT (class 2 Power Unit, for more specs see on page 79)
DIMMABILITY	
POWER CONSUMPTION	see individual lamp tables
WEIGHT	5.7 lbs/sq. ft (25 Kg/sq. mt)
IP GRADE	IP40
CRI	> 95 (for more specs see on page 78)
LUMEN DELIVERED	see individual lamp tables
LIFE TIME	70.000 hrs
WARRANTY	3 Years (36 month) from shipping
CERTIFICATIONS	    Storage Area of Clothes Closet <ul style="list-style-type: none"> • Ceiling surface Mounted • Ceiling recessed Type IC Inherently protected • Wall surface Mounted • NEW Storage Area of a Clothes Closet

CHIARO 3.25" x 95"

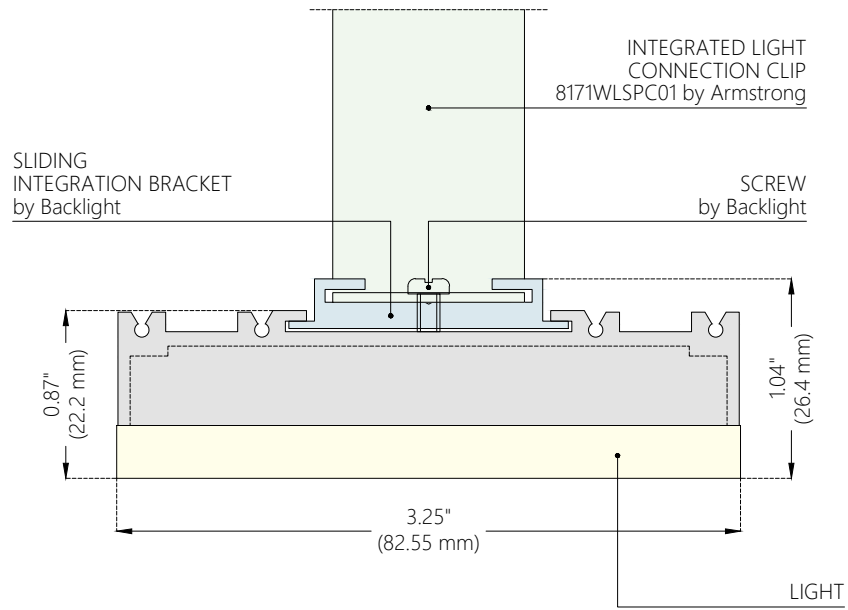
(cod. BKL UL 00 1782)

WoodWorks® Linear Solid Wood Panels

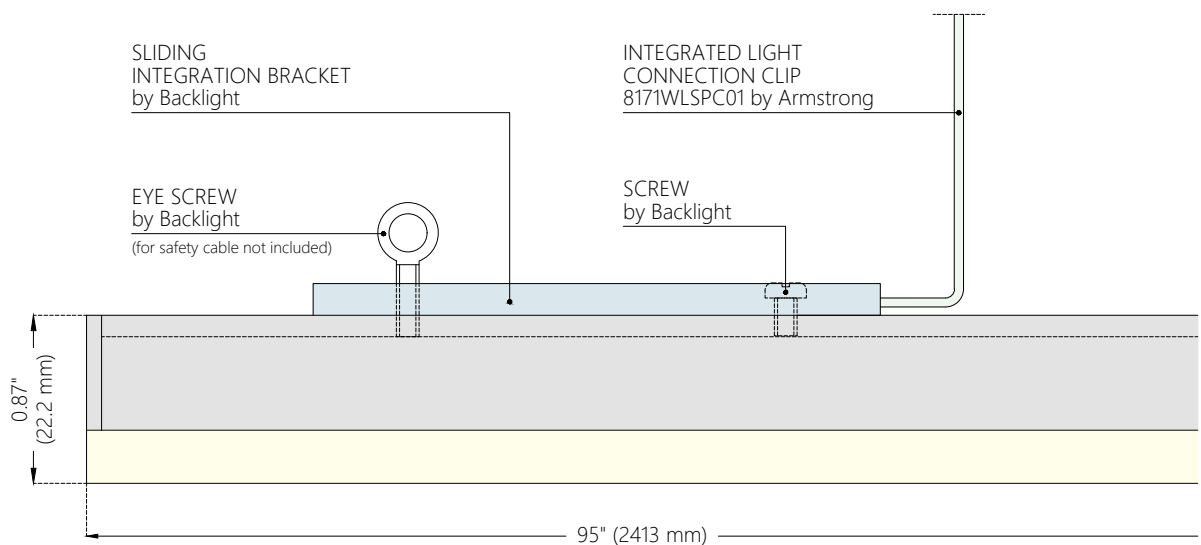
Coordinating Panel Items: 8176W1

CHIARO

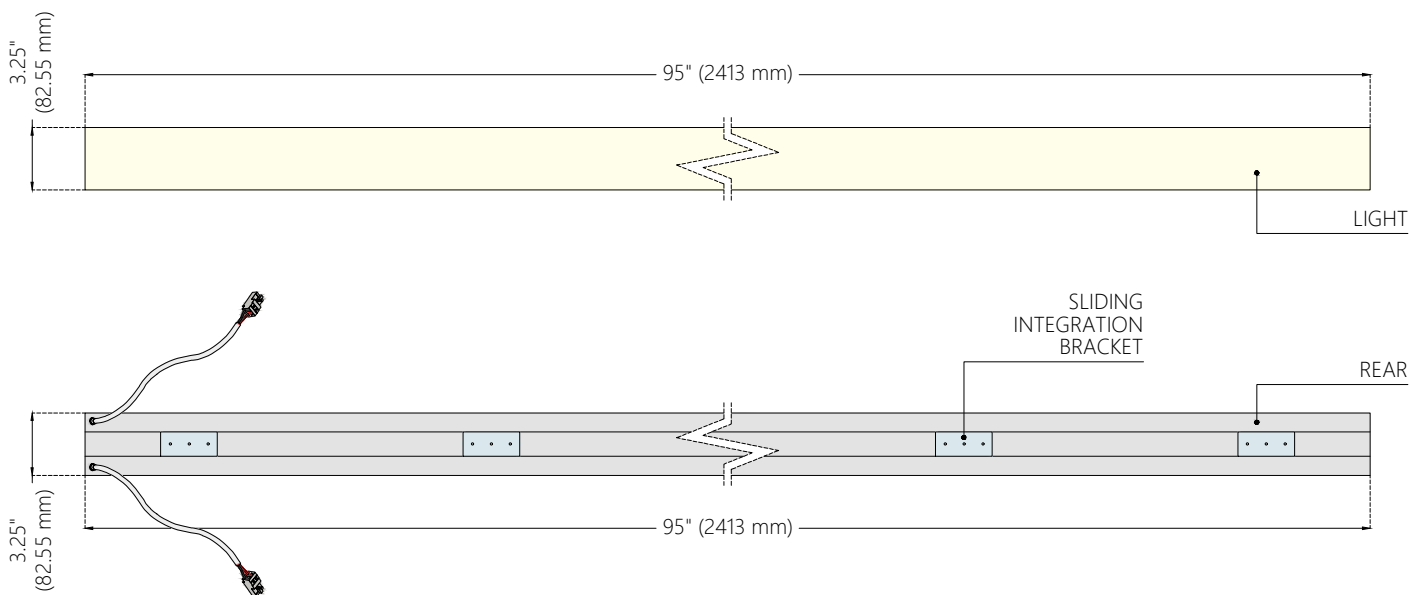
CROSS SECTION



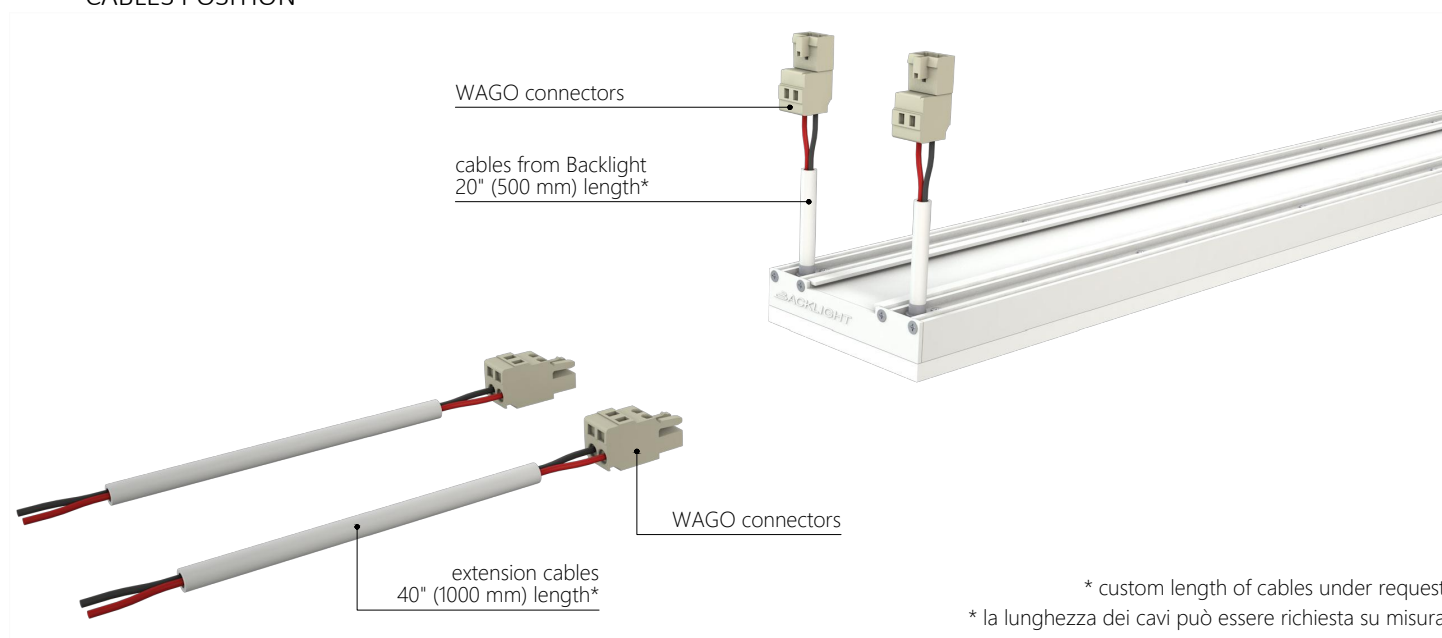
LONGITUDINAL SECTION



LIGHTING VIEW / REAR SIDE



CABLES POSITION



Coordinating WoodWorks® Panel Item	Cod. CHIARO lamp	Watt	Lumen del	Nominal K (see page 78)	Qty of Sliding Integration Brackets by Backlight	Integrated Light Connection Clip (Qty) - by Armstrong	Driver	Instructions
8176W1	BKL UL 00 1782	68 W	4325 lm del	3000 K	4 - each lamp	8171WLSPC01 (4 - each lamp)	see page 79	see page 14

CHIARO 5.25" x 95"

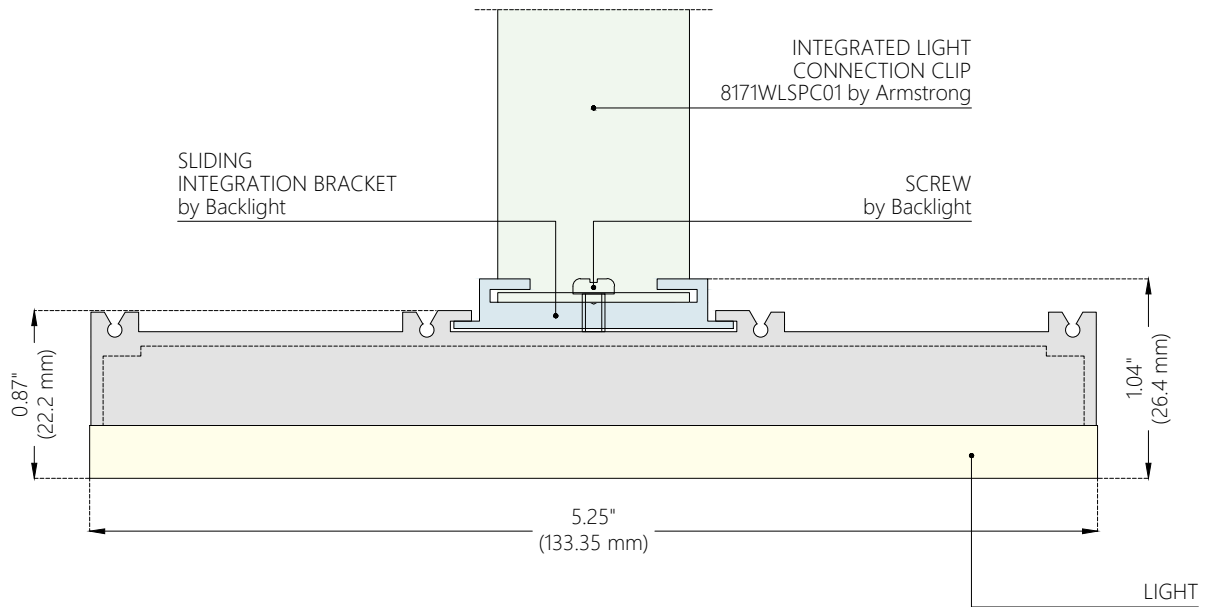
(cod. BKL UL 00 1783)

WoodWorks® Linear Solid Wood Panels

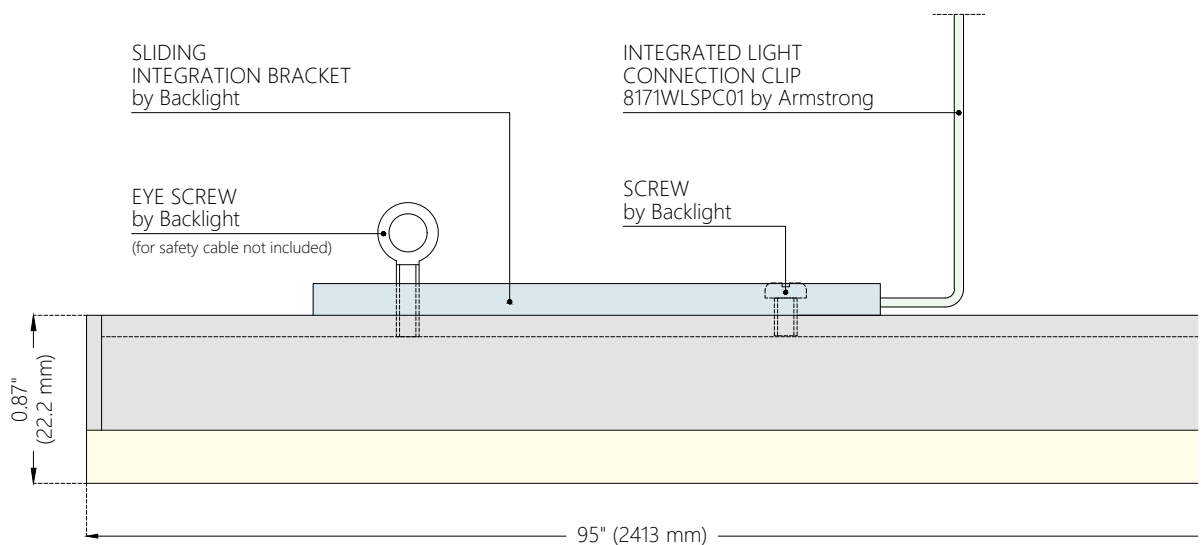
Coordinating Panel Items: 8177W1

CHIARO

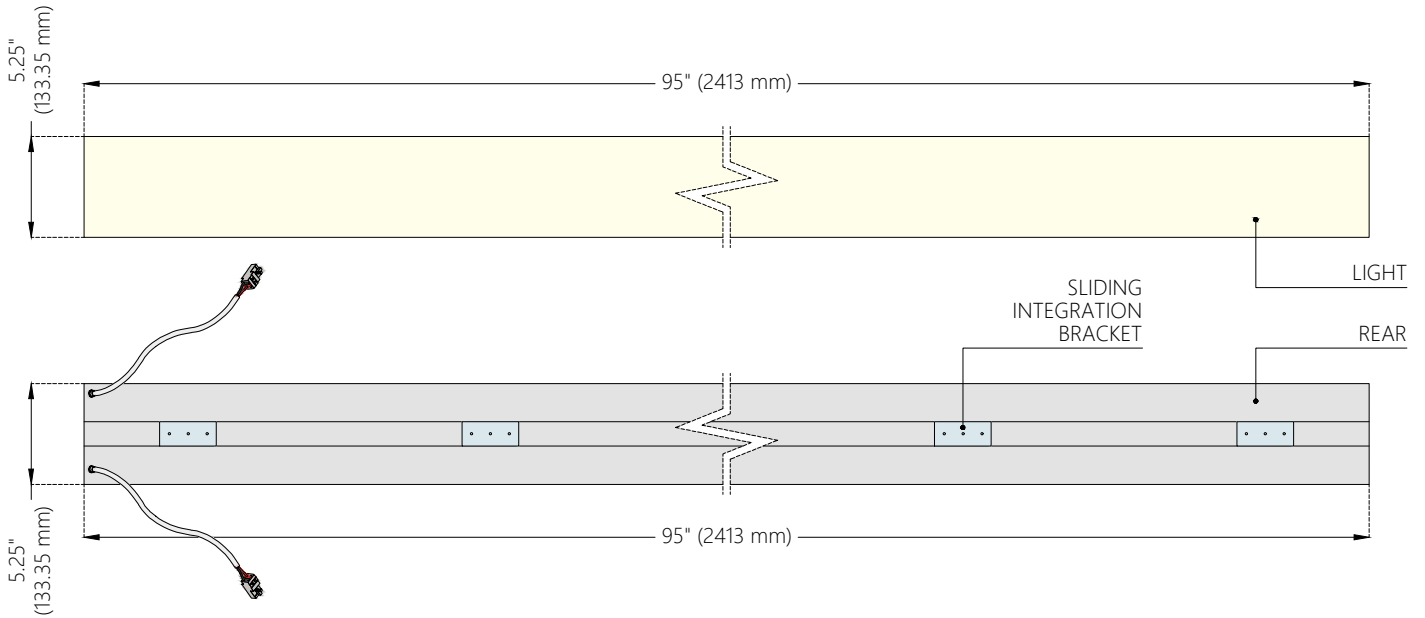
CROSS SECTION



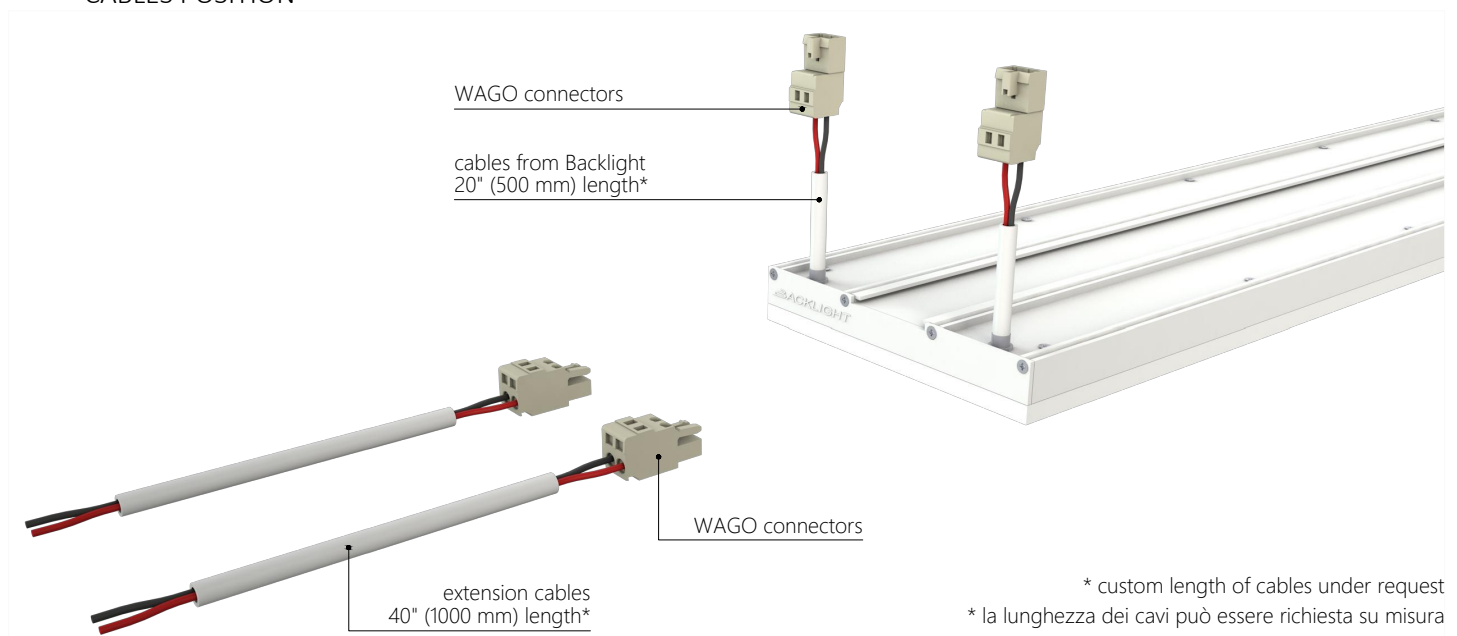
LONGITUDINAL SECTION



LIGHTING VIEW / REAR SIDE

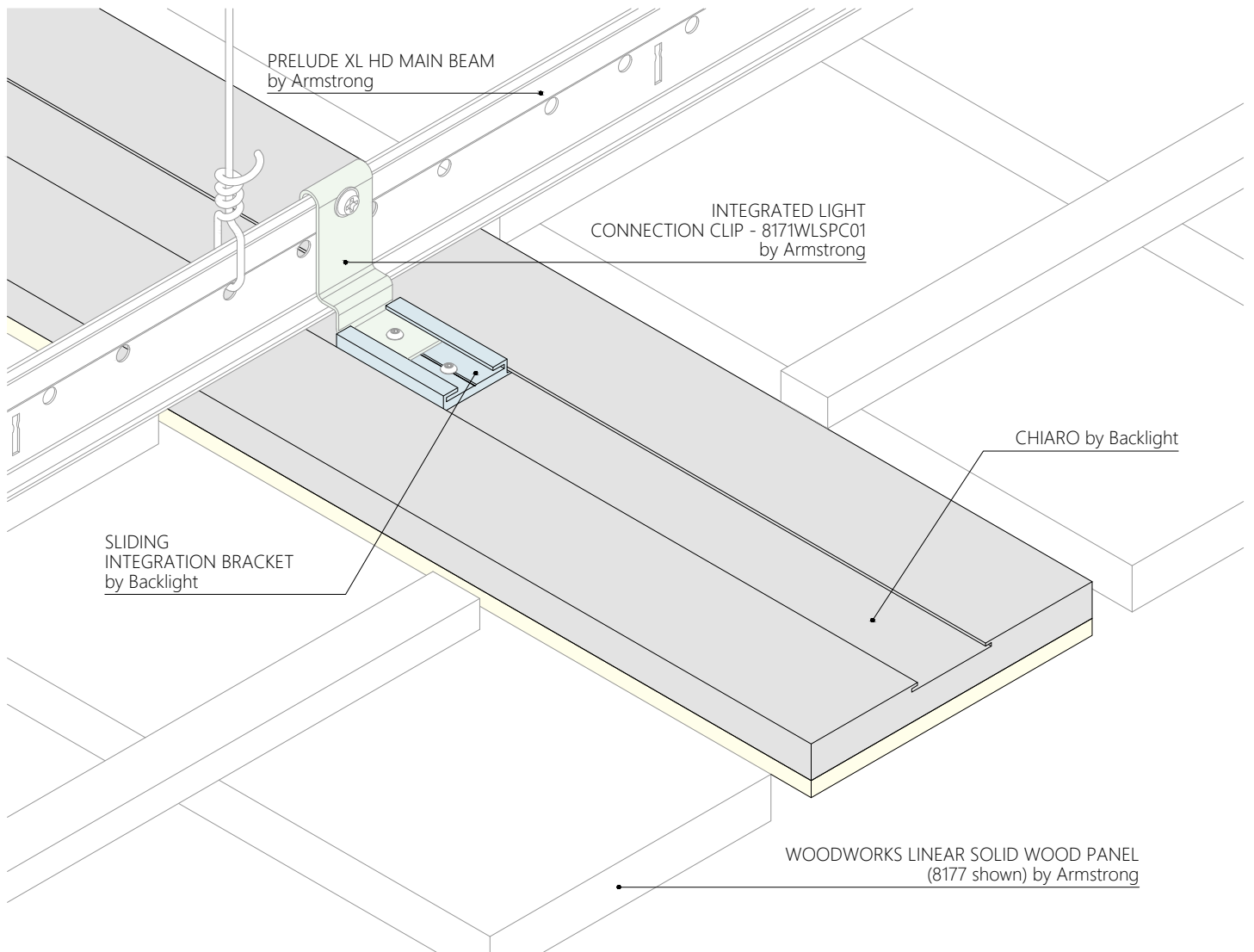


CABLES POSITION

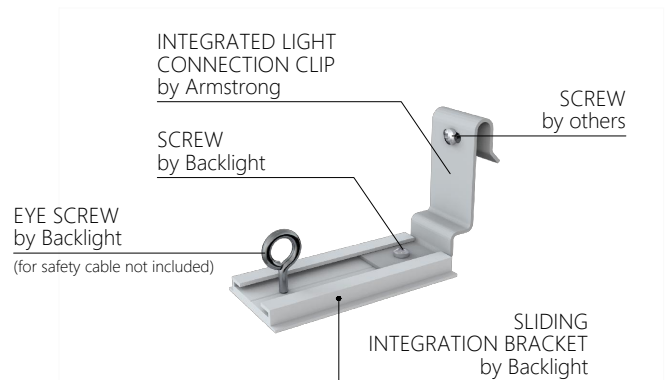


Coordinating WoodWorks® Panel Item	Cod. CHIARO lamp	Watt	Lumen del	Nominal K (see page 78)	Qty of Sliding Integration Brackets by Backlight	Integrated Light Connection Clip (Qty) - by Armstrong	Driver	Instructions
8177W1	BKL UL 00 1783	68 W	4325 lm del	3000 K	4 - each lamp	8171WLSPC01 (4 - each lamp)	see page 79	see page 14

INSTALLATION DETAILS by Armstrong® Ceiling Solutions



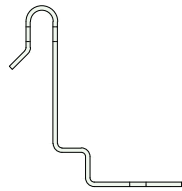
Coordinating WoodWorks® Panel Item	CHIARO Dimension	Cod. CHIARO lamp	Panel Field Modification Required
8176W1	3.25" x 95"	BKL UL 00 1782	Male end of backer trimmed to 3/4"
8177W1	5.25" x 95"	BKL UL 00 1783	Male end of backer trimmed to 3/4"



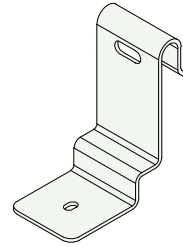
For full WoodWorks® Linear Solid Wood Panels selection go to www.armstrongceilings.com

INTEGRATED LIGHT CONNECTION CLIP For additional details visit Armstrong website: armstrongceilings.com/linearlighting

8171WLSPC01
 by Armstrong



Side View



Isometric View

HOW TO ORDER

WoodWorks® Linear Solid Wood Panels Coordinating Panel Item 8176W1

CHIARO Dimension	Cod. CHIARO lamp	Watt	Lumen del	Nominal K (see page 78)	Qty of Sliding Integration Brackets by Backlight	Integrated Light Connection Clip (Qty) - by Armstrong	Driver	Instructions
3.25" x 95"	BKL UL 00 1782	68 W	4325 lm del	3000 K	4 - each lamp	8171WLSPC01 (4 - each lamp)	see page 79	see page 14

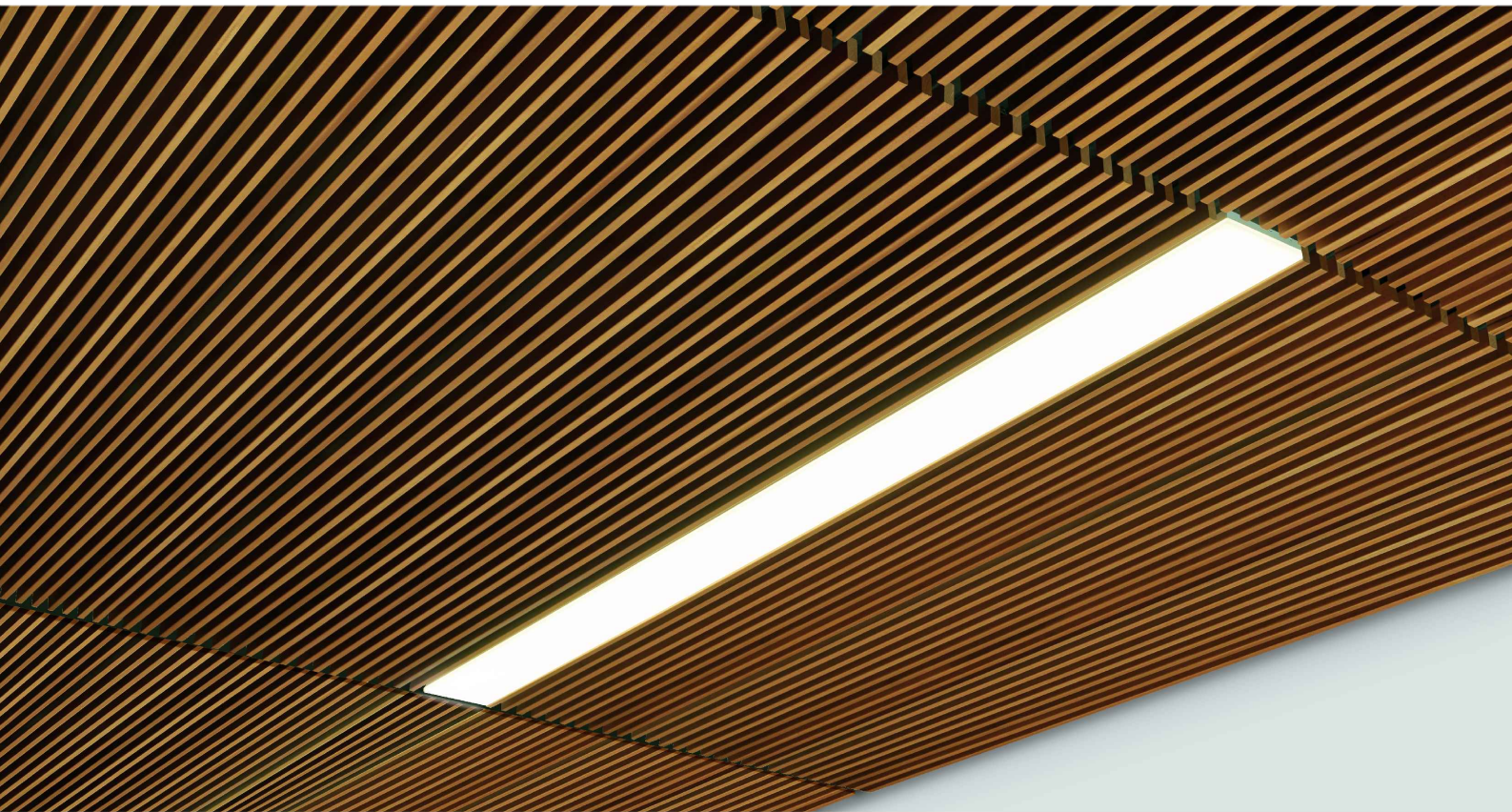
WoodWorks® Linear Solid Wood Panels Coordinating Panel Item 8177W1

CHIARO Dimension	Cod. CHIARO lamp	Watt	Lumen del	Nominal K (see page 78)	Qty of Sliding Integration Brackets by Backlight	Integrated Light Connection Clip (Qty) - by Armstrong	Driver	Instructions
5.25" x 95"	BKL UL 00 1783	68 W	4325 lm del	3000 K	4 - each lamp	8171WLSPC01 (4 - each lamp)	see page 79	see page 14

FOR INFO AND ORDERS CONTACT US AT chiaro.armstrong@backlightsrl.com

CHIARO

CHIARO



WoodWorks® Grille panels in Maple with 5-1/4" x 95" linear light fixture
(Coordinating WoodWorks Panel Items: 7263BO, 7264BO, 7265BO, 7266BO, 7094BO, 7095BO and 7097BO)

Backlight CHIARO for WoodWorks® Grille

Coordinating WoodWorks Panel Items: 7263BO, 7264BO, 7265BO, 7266BO, 7094BO, 7095BO and 7097BO

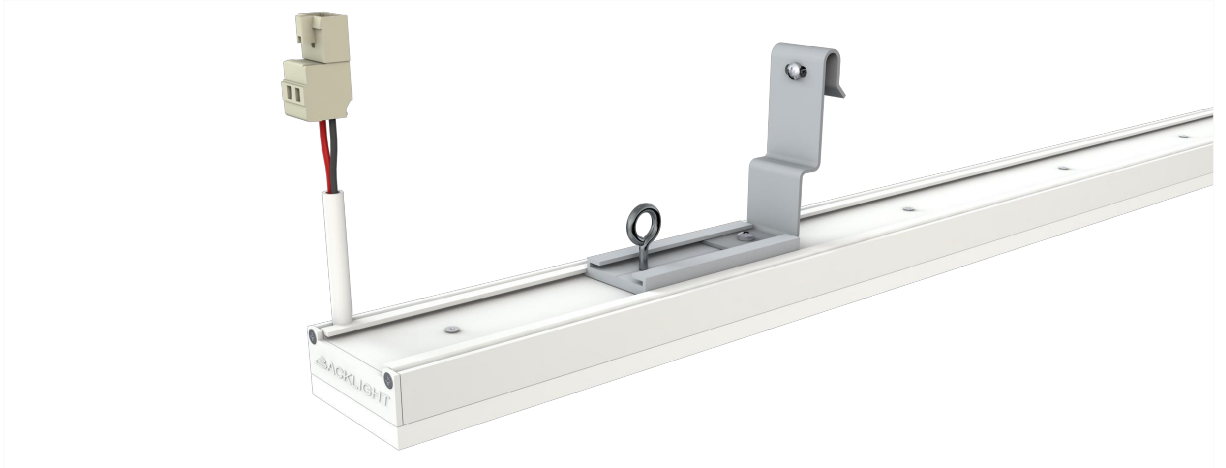
- 18 CHIARO MODELS
- 19 TECHNICAL SPECS
- 20 CHIARO model 2" x 95" (cod. BKL UL 00 1781)
- 22 CHIARO model 3.25" x 95" (cod. BKL UL 00 1782)
- 24 CHIARO model 5.25" x 95" (cod. BKL UL 00 1783)
- 26 INSTALLATION DETAILS by Armstrong® Ceiling Solutions
- 28 HOW TO ORDER

CHIARO

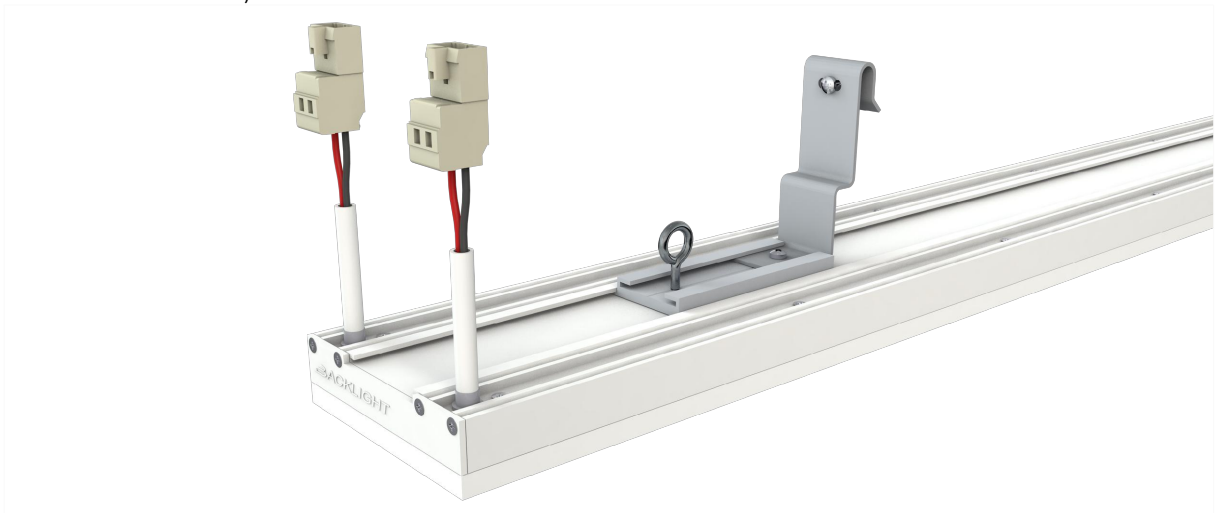
WoodWorks® Grille
Coordinating Panel Items: 7263BO, 7264BO, 7265BO
7266BO, 7094BO, 7095BO and 7097BO

CHIARO

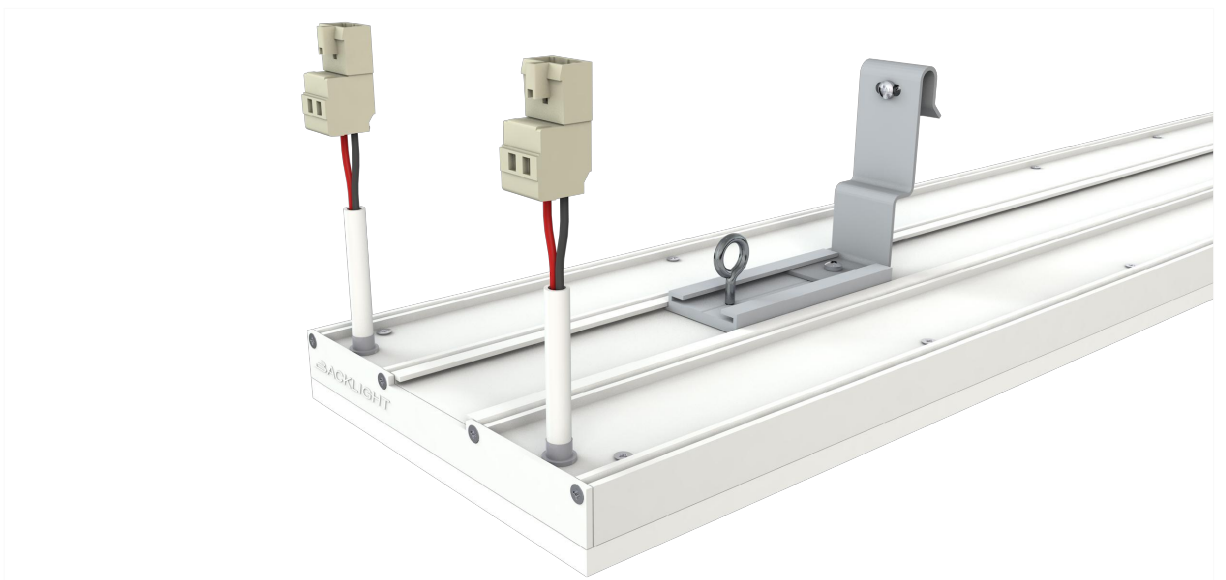
2" x 95" (cod. BKL UL 00 1781)



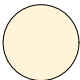





3.25" x 95" (cod. BKL UL 00 1782)



5.25" x 95" (cod. BKL UL 00 1783)



GENERAL SPECIFICATION

COLOUR TEMPERATURE	 Nominal 3000 K (and other K under request)
INPUT VOLTAGE	24V DC
DRIVER	AC DC 24V DC OUTPUT (class 2 Power Unit, for more specs see on page 79)
DIMMABILITY	
POWER CONSUMPTION	see individual lamp tables
WEIGHT	5.7 lbs/sq. ft (25 Kg/sq. mt)
IP GRADE	IP40
CRI	> 95 (for more specs see on page 78)
LUMEN DELIVERED	see individual lamp tables
LIFE TIME	70.000 hrs
WARRANTY	3 Years (36 month) from shipping
CERTIFICATIONS	<div style="display: flex; align-items: flex-start;"> <div style="margin-right: 20px;">   </div> <div style="margin-right: 20px;">   </div> <div> <p>Storage Area of Clothes Closet</p> </div> <div style="margin-left: 20px;"> <ul style="list-style-type: none"> • Ceiling surface Mounted • Ceiling recessed Type IC Inherently protected • Wall surface Mounted • NEW Storage Area of a Clothes Closet </div> </div>

CHIARO 2" x 95"

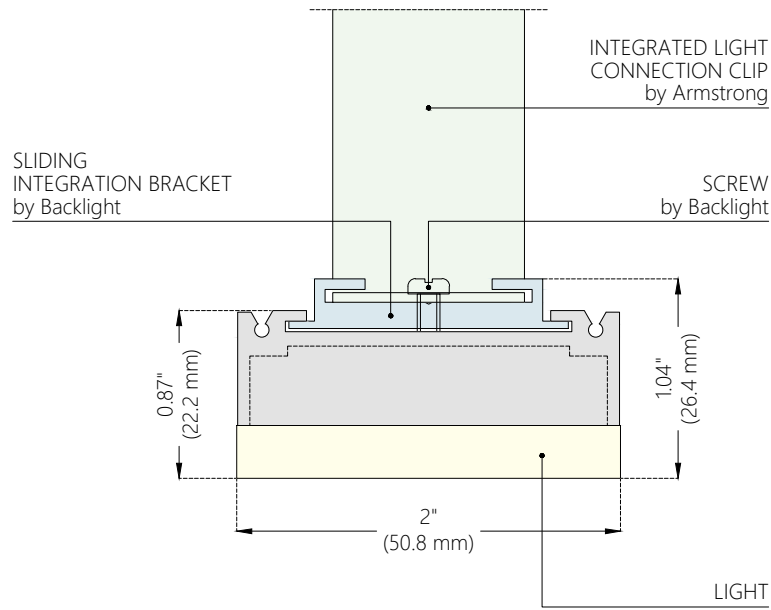
(cod. BKL UL 00 1781)

WoodWorks® Grille

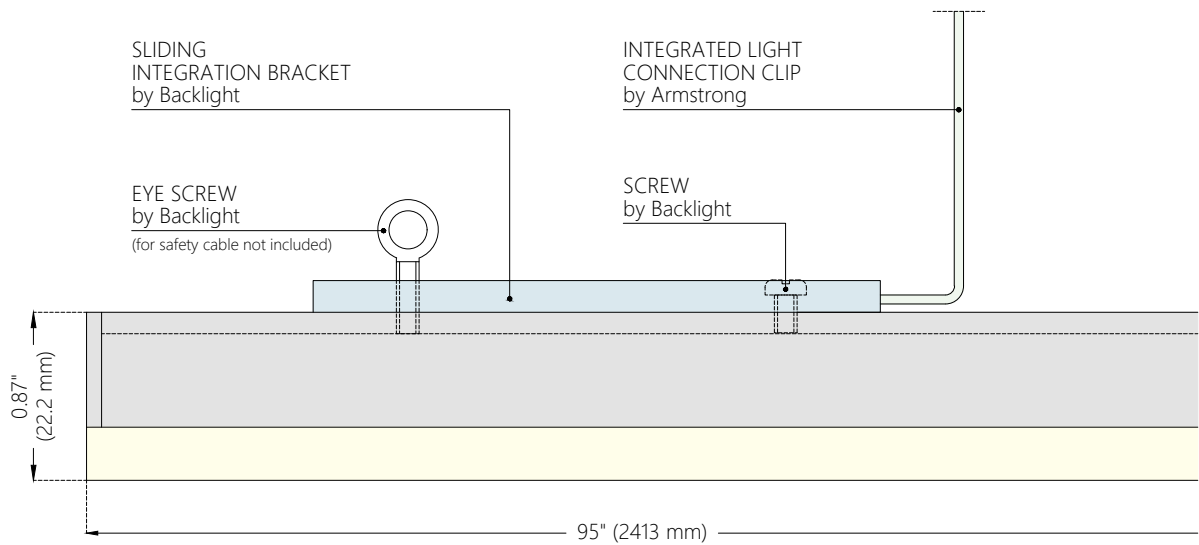
Coordinating Panel Items: 7263BO, 7264BO, 7265BO
7266BO, 7094BO, 7095BO and 7097BO

CHIARO

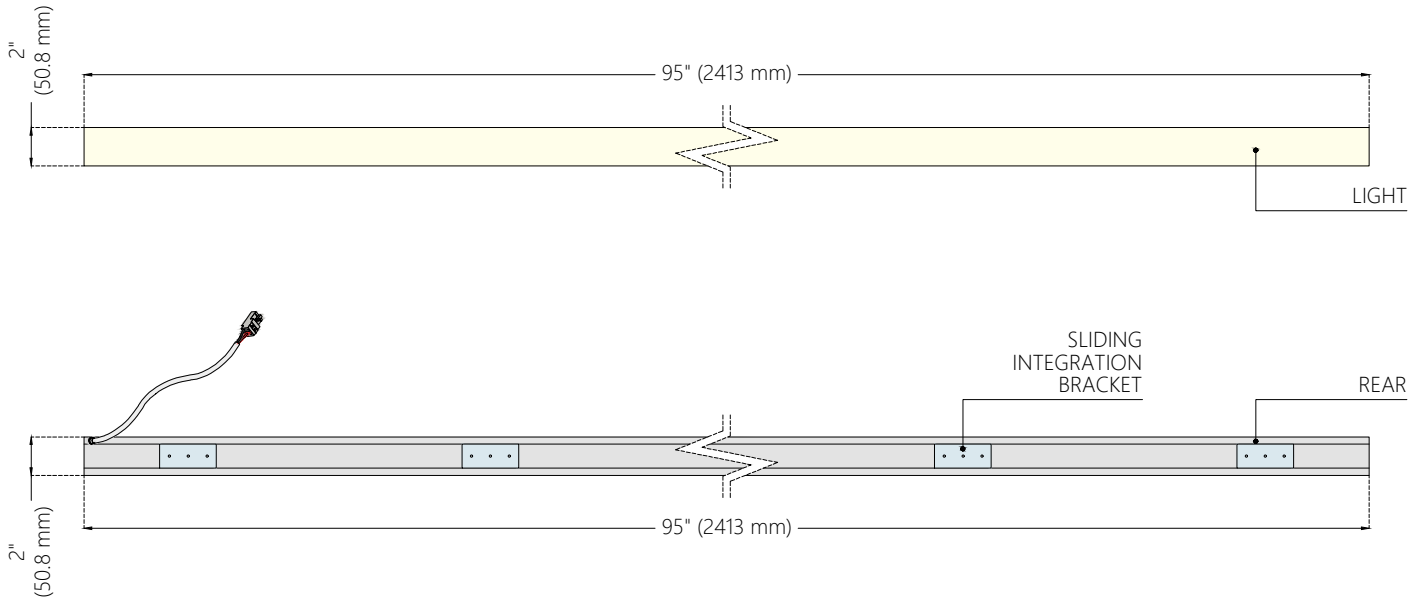
CROSS SECTION



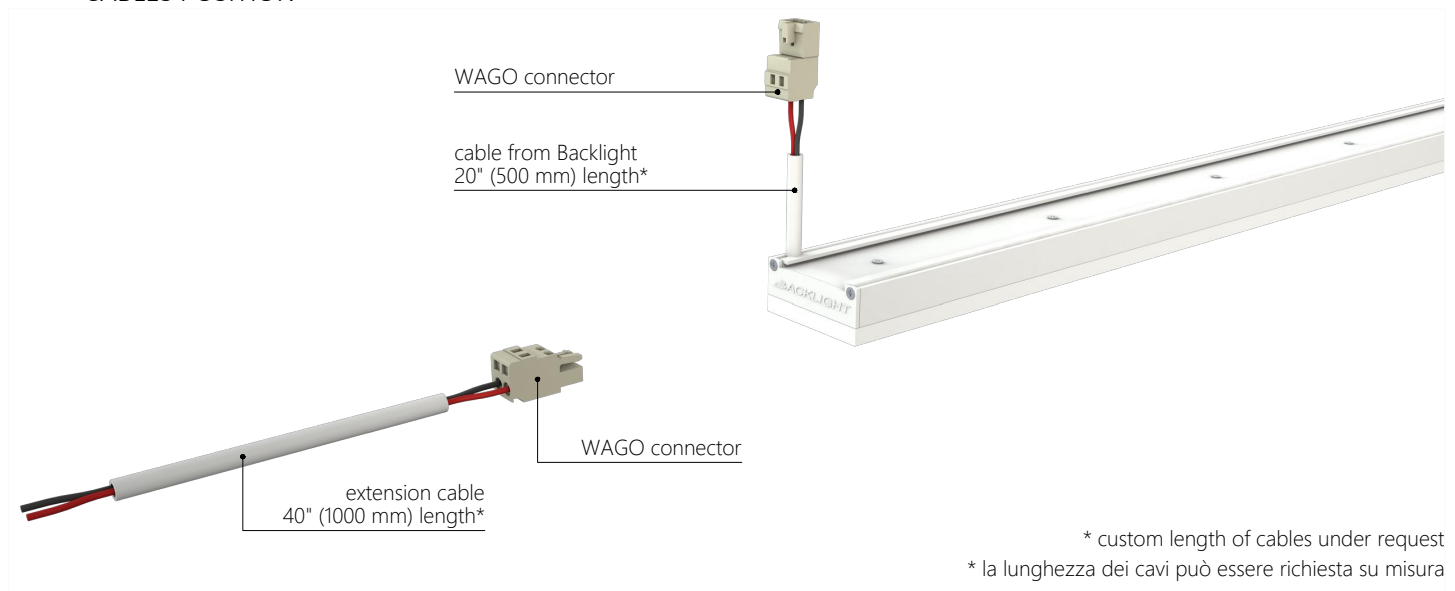
LONGITUDINAL SECTION



LIGHTING VIEW / REAR SIDE



CABLES POSITION



* custom length of cables under request
* la lunghezza dei cavi può essere richiesta su misura

Coordinating WoodWorks® Panel Item	Cod. CHIARO lamp	Watt	Lumen del	Nominal K (see page 78)	Qty of Sliding Integration Brackets by Backlight	Integrated Light Connection Clip (Qty) - by Armstrong	Driver	Instructions
7263BO 7264BO	BKL UL 00 1781	34 W	2163 lm del	3000 K	4 - each lamp	8171WGB0C01 (4 - each lamp)	see page 79	see page 26
7094BO 7265BO 7266BO	BKL UL 00 1781	34 W	2163 lm del	3000 K	4 - each lamp	8171WGB0C02 (4 - each lamp)	see page 79	see page 26
7095BO 7097BO	BKL UL 00 1781	34 W	2163 lm del	3000 K	4 - each lamp	8171WGB0C03 (4 - each lamp)	see page 79	see page 26

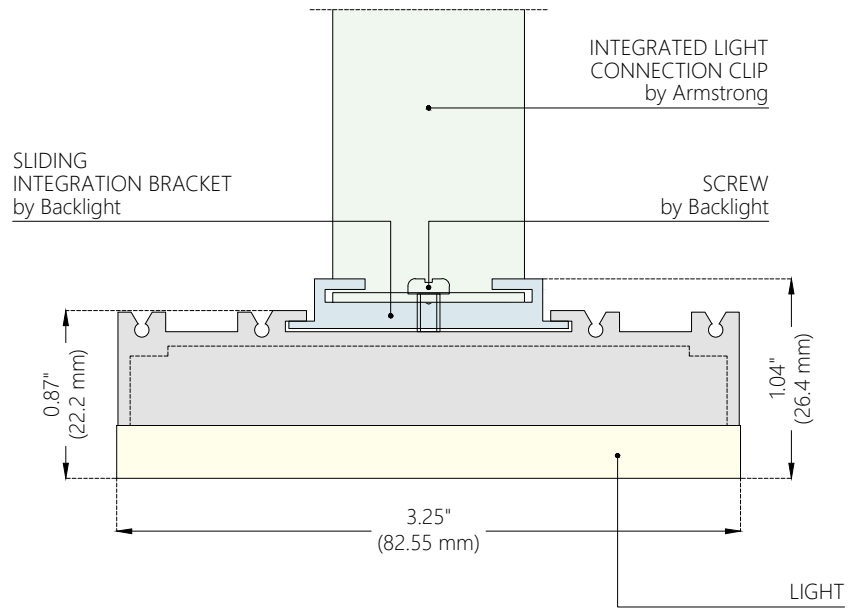
CHIARO 3.25" x 95"

(cod. BKL UL 00 1782)

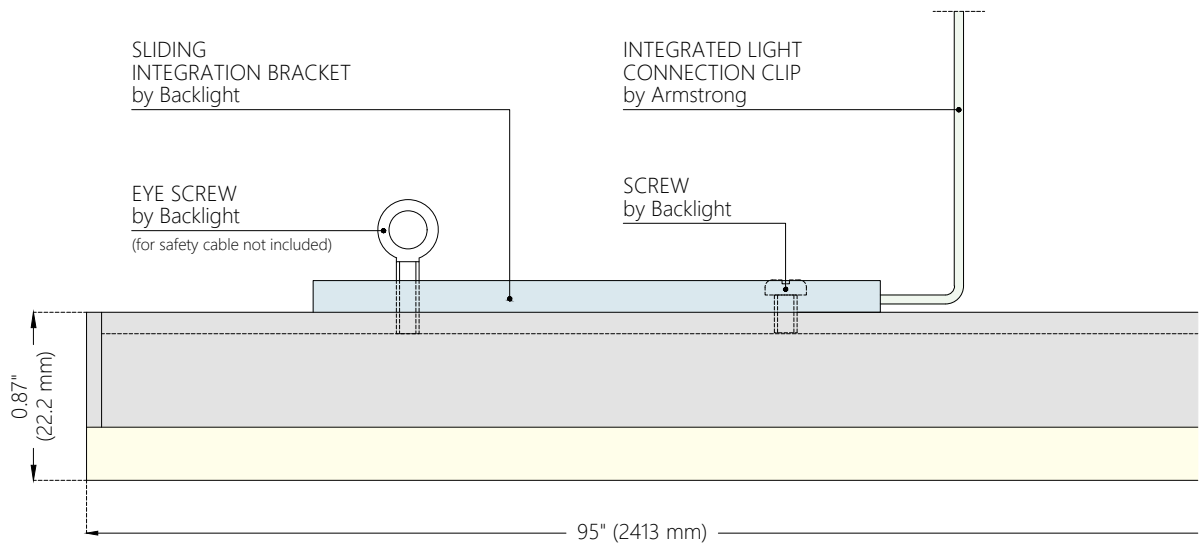
WoodWorks® Grille
Coordinating Panel Items: 7263BO, 7264BO, 7265BO
7266BO, 7094BO, 7095BO and 7097BO

CHIARO

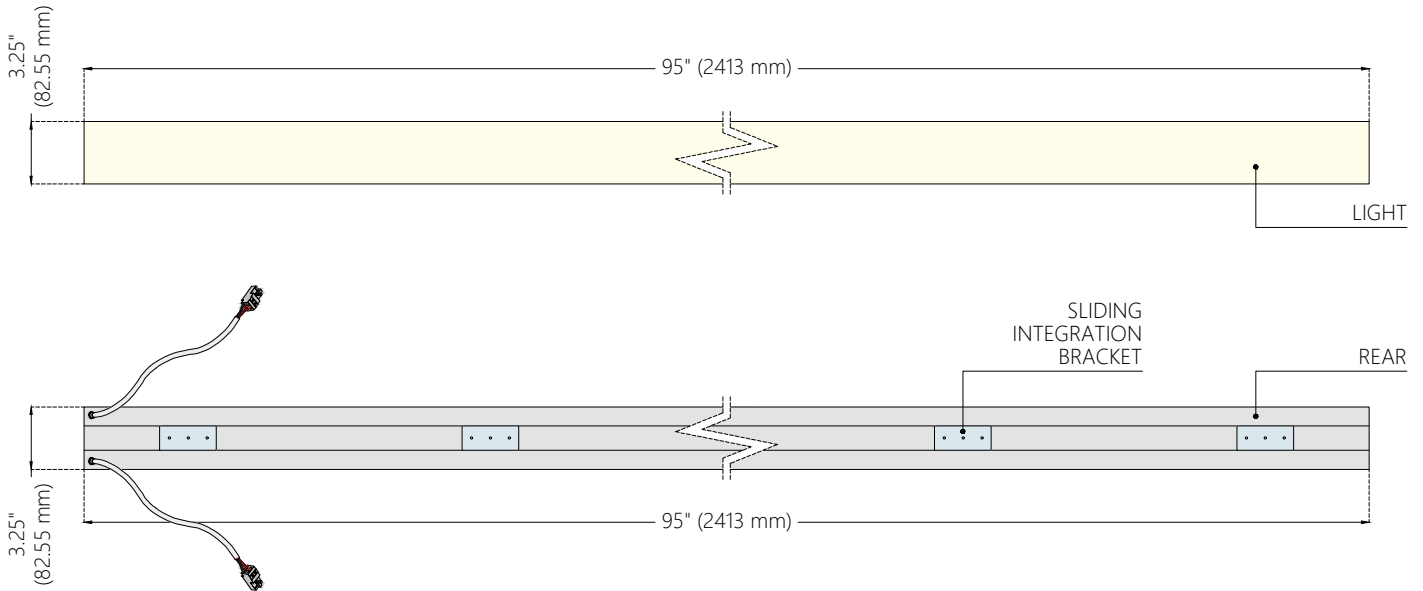
CROSS SECTION



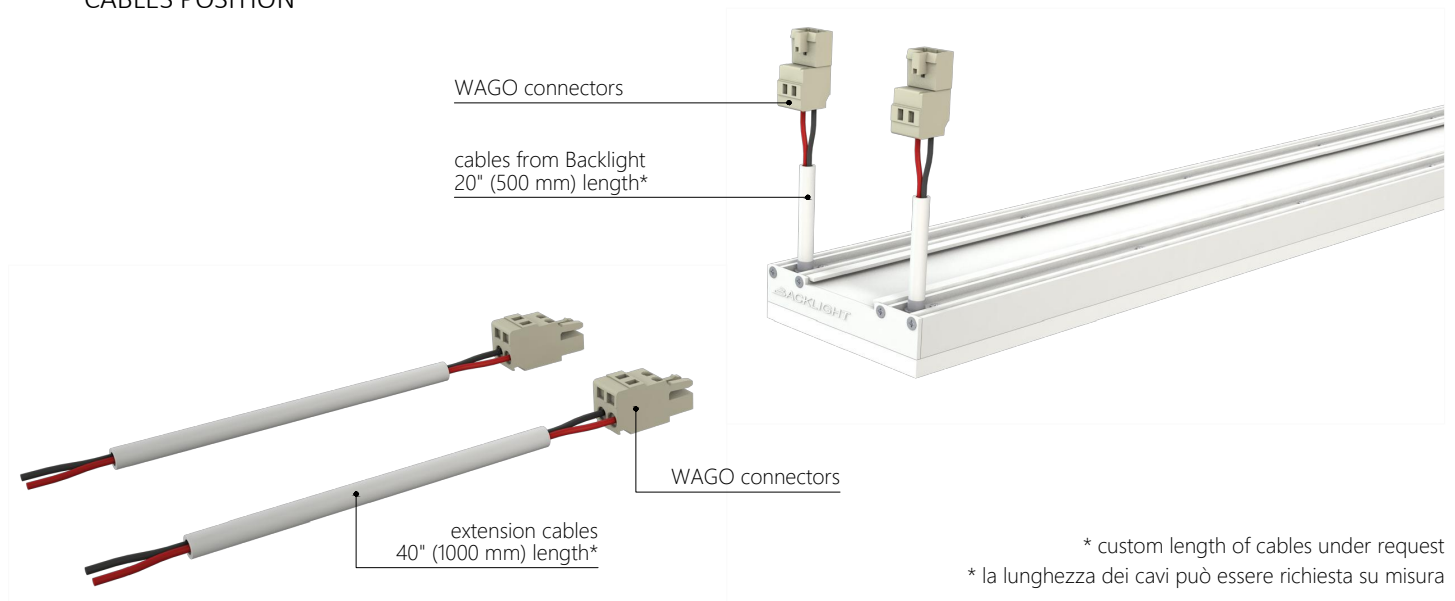
LONGITUDINAL SECTION



LIGHTING VIEW / REAR SIDE



CABLES POSITION



* custom length of cables under request
 * la lunghezza dei cavi può essere richiesta su misura

Coordinating WoodWorks® Panel Item	Cod. CHIARO lamp	Watt	Lumen del	Nominal K (see page 78)	Qty of Sliding Integration Brackets by Backlight	Integrated Light Connection Clip (Qty) - by Armstrong	Driver	Instructions
7263BO 7264BO	BKL UL 00 1782	68 W	4325 lm del	3000 K	4 - each lamp	8171WGB0C01 (4 - each lamp)	see page 79	see page 26
7094BO 7265BO 7266BO	BKL UL 00 1782	68 W	4325 lm del	3000 K	4 - each lamp	8171WGB0C02 (4 - each lamp)	see page 79	see page 26
7095BO 7097BO	BKL UL 00 1782	68 W	4325 lm del	3000 K	4 - each lamp	8171WGB0C03 (4 - each lamp)	see page 79	see page 26

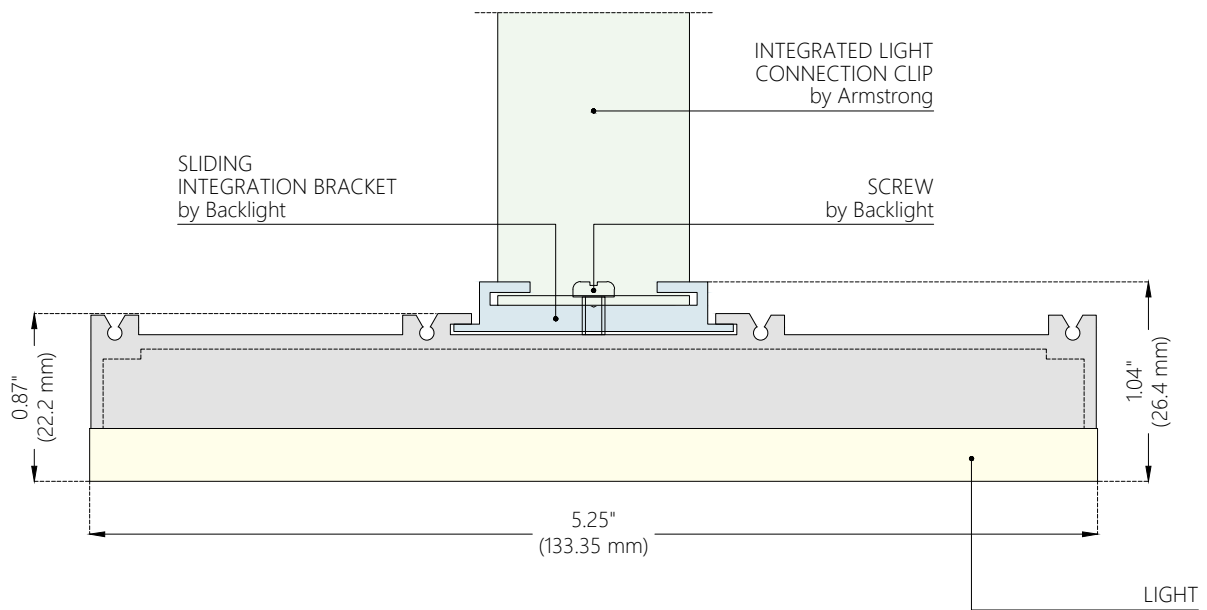
CHIARO 5.25" x 95"

(cod. BKL UL 00 1783)

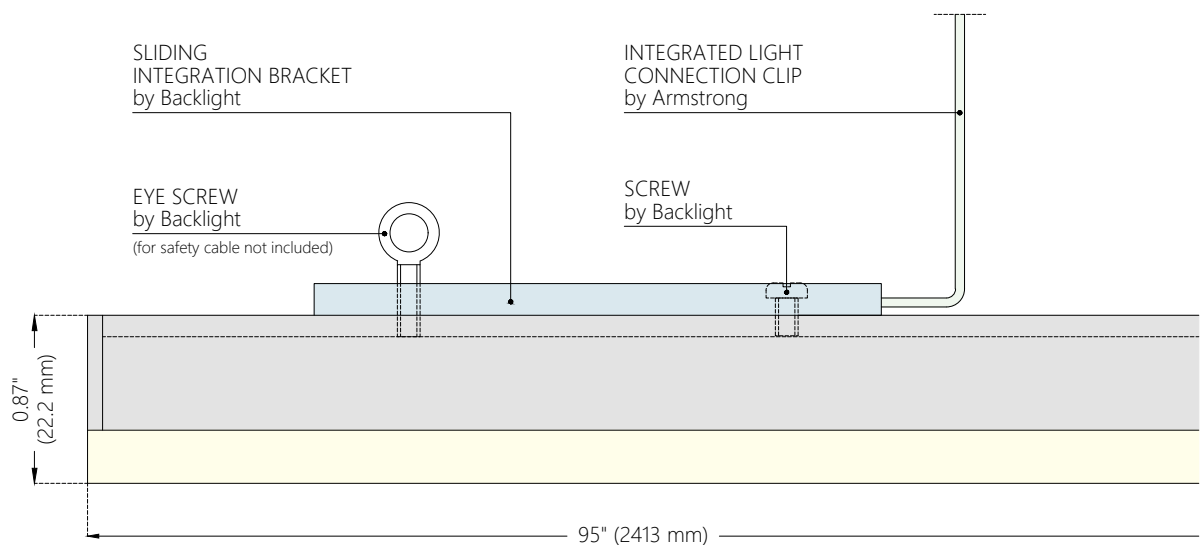
WoodWorks® Grille
Coordinating Panel Items: 7263BO, 7264BO, 7265BO
7266BO, 7094BO, 7095BO and 7097BO

CHIARO

CROSS SECTION



LONGITUDINAL SECTION



WoodWorks® Grille

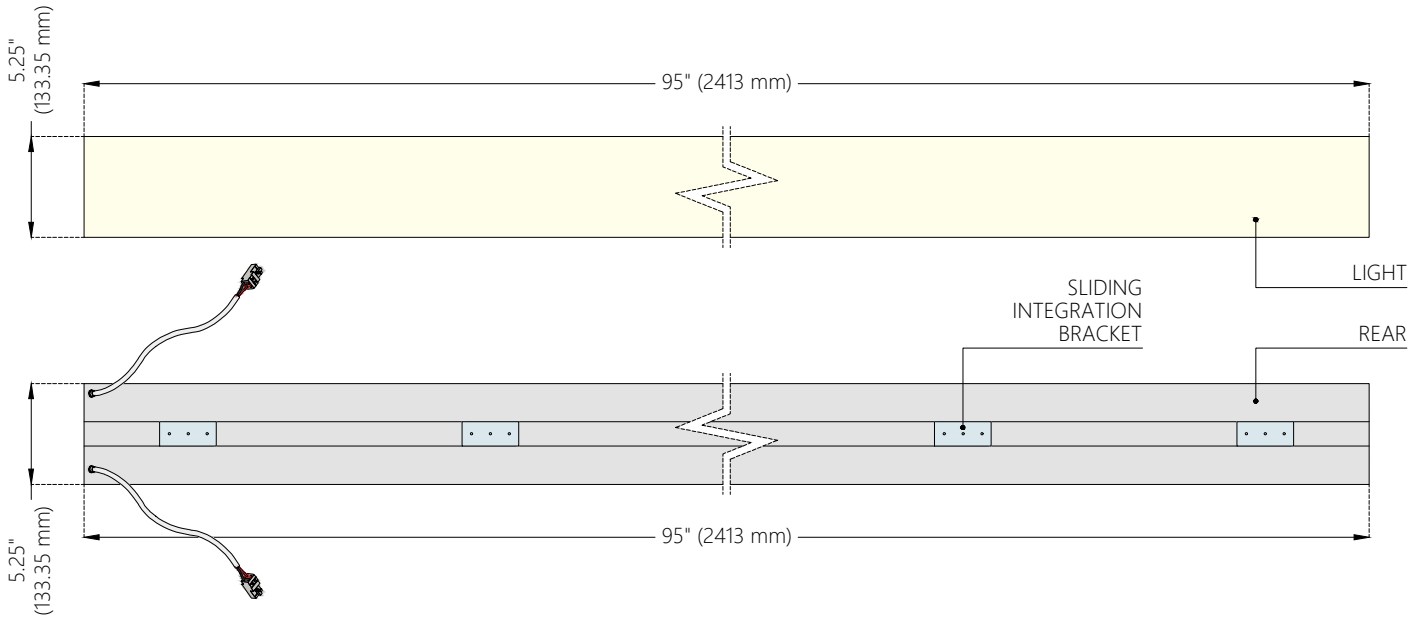
Coordinating Panel Items: 7263BO, 7264BO, 7265BO
7266BO, 7094BO, 7095BO and 7097BO

CHIARO 5.25" x 95"

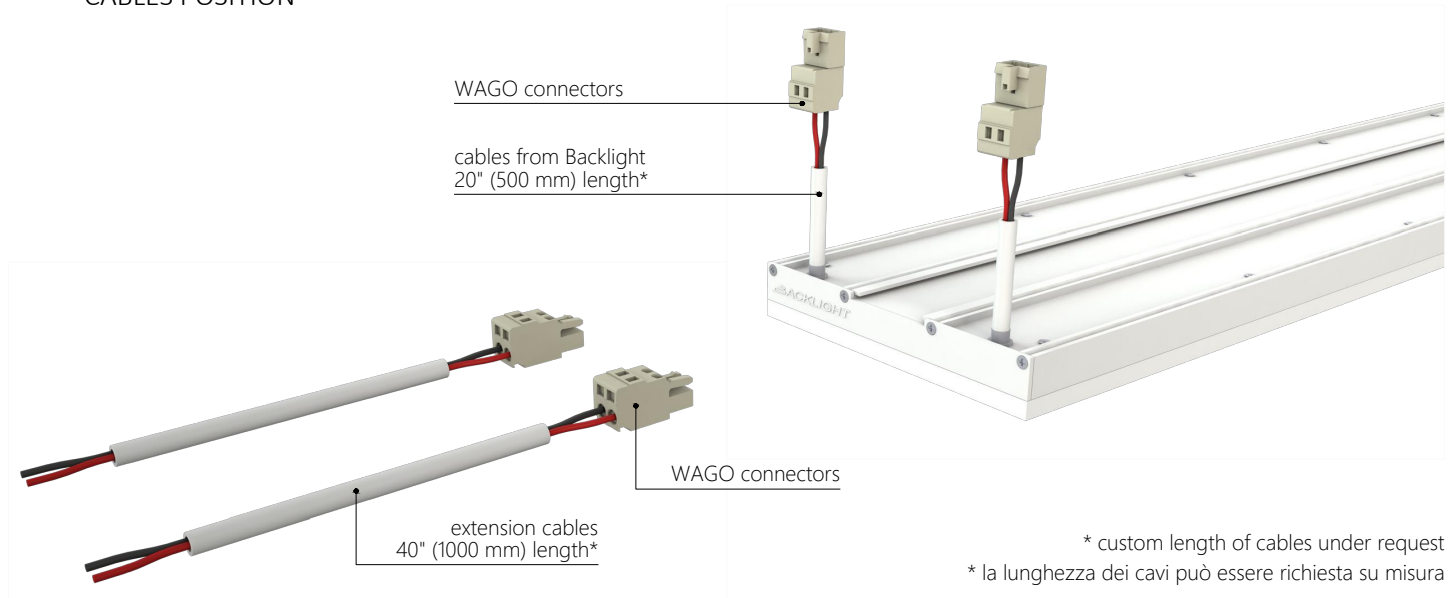
(cod. BKL UL 00 1783)

CHIARO

LIGHTING VIEW / REAR SIDE



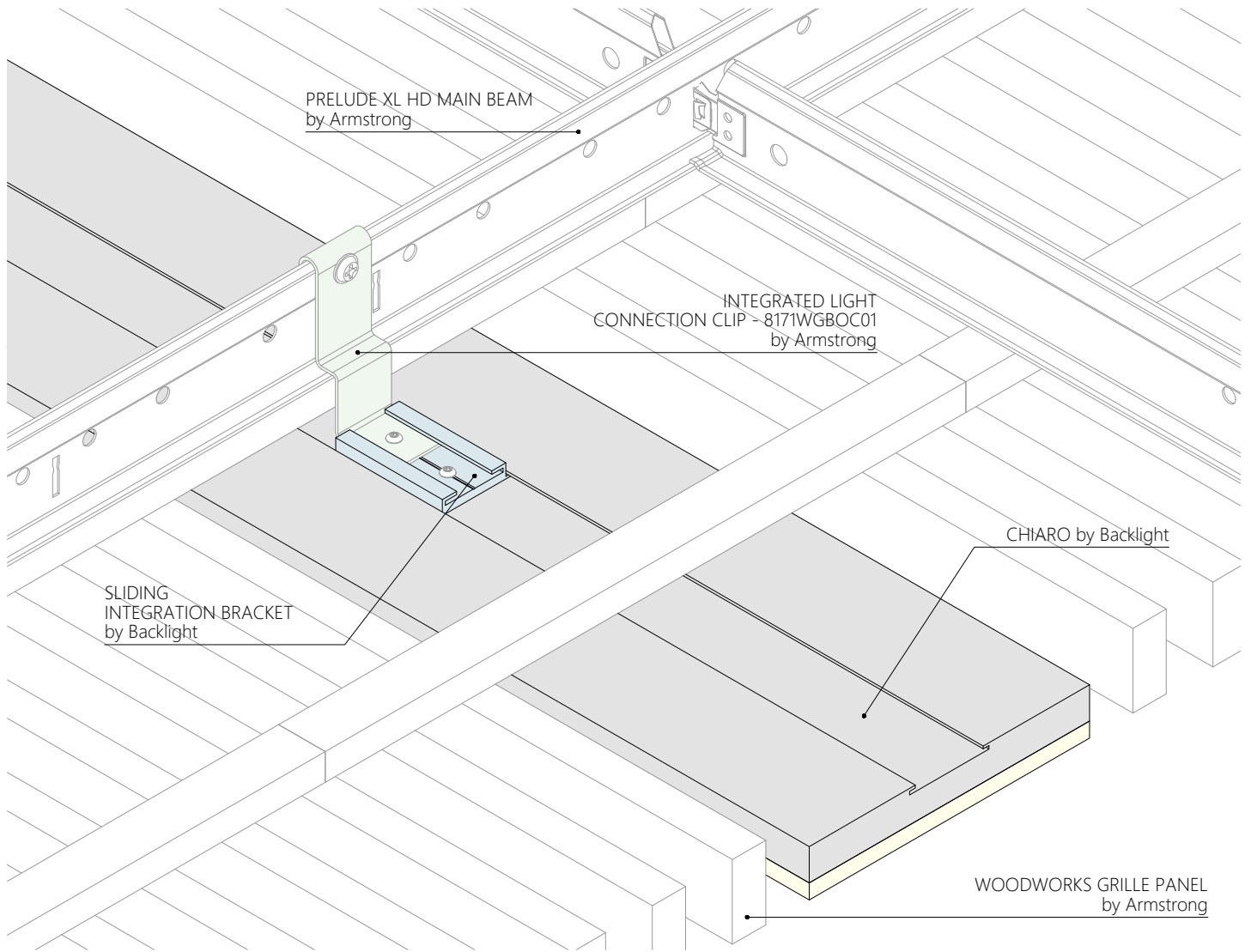
CABLES POSITION



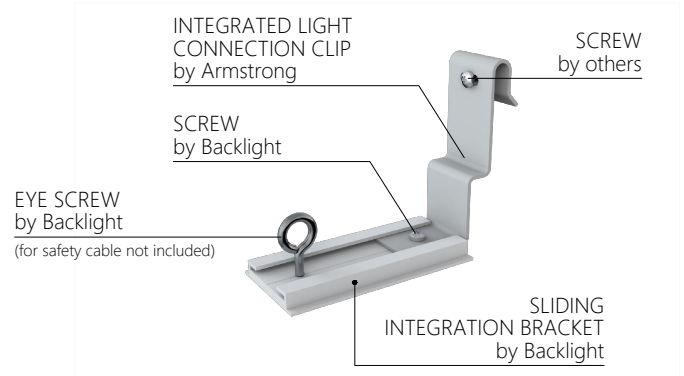
* custom length of cables under request
* la lunghezza dei cavi può essere richiesta su misura

Coordinating WoodWorks® Panel Item	Cod. CHIARO lamp	Watt	Lumen del	Nominal K (see page 78)	Qty of Sliding Integration Brackets by Backlight	Integrated Light Connection Clip (Qty) - by Armstrong	Driver	Instructions
7263BO 7264BO	BKL UL 00 1783	68 W	4325 lm del	3000 K	4 - each lamp	8171WGB0C01 (4 - each lamp)	see page 79	see page 26
7094BO 7265BO 7266BO	BKL UL 00 1783	68 W	4325 lm del	3000 K	4 - each lamp	8171WGB0C02 (4 - each lamp)	see page 79	see page 26
7095BO 7097BO	BKL UL 00 1783	68 W	4325 lm del	3000 K	4 - each lamp	8171WGB0C03 (4 - each lamp)	see page 79	see page 26

INSTALLATION DETAILS by Armstrong® Ceiling Solutions



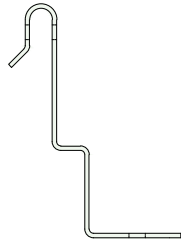
CHIARO Dimension	Cod. CHIARO lamp	Panel Field Modification Required
2" x 95"	BKL UL 00 1781	Remove 1 slat
3.25" x 95"	BKL UL 00 1782	Remove 2 slats
5.25" x 95"	BKL UL 00 1783	Remove 3 slats



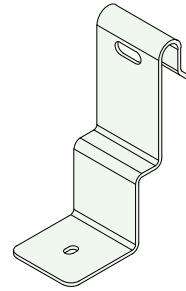
For full WoodWorks® Grille selection go to www.armstrongceilings.com

INTEGRATED LIGHT CONNECTION CLIP For additional details visit Armstrong website: armstrongceilings.com/linearlighting

8171WGB0C01
by Armstrong

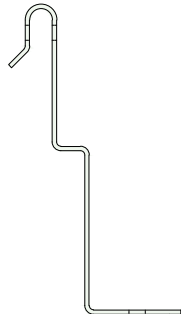


Side View

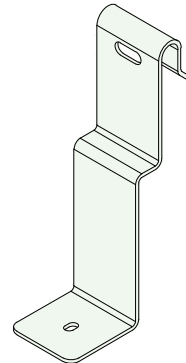


Isometric View

8171WGB0C02
by Armstrong

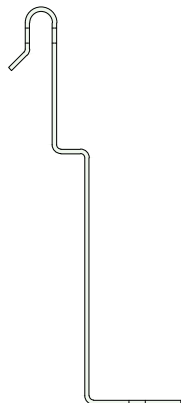


Side View

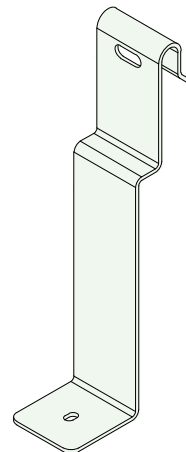


Isometric View

8171WGB0C03
by Armstrong



Side View



Isometric View

HOW TO ORDER

WoodWorks® Grille Coordinating Panel Item 7263BO

CHIARO Dimension	Cod. CHIARO lamp	Watt	Lumen del	Nominal K (see page 78)	Qty of Sliding Integration Brackets by Backlight	Integrated Light Connection Clip (Qty) - by Armstrong	Driver	Instructions
2" x 95"	BKL UL 00 1781	34 W	2163 lm del	3000 K	4 - each lamp	8171WGB0C01 (4 - each lamp)	see page 79	see page 26
3.25" x 95"	BKL UL 00 1782	68 W	4325 lm del	3000 K	4 - each lamp	8171WGB0C01 (4 - each lamp)	see page 79	see page 26
5.25" x 95"	BKL UL 00 1783	68 W	4325 lm del	3000 K	4 - each lamp	8171WGB0C01 (4 - each lamp)	see page 79	see page 26

WoodWorks® Grille Coordinating Panel Item 7264BO

CHIARO Dimension	Cod. CHIARO lamp	Watt	Lumen del	Nominal K (see page 78)	Qty of Sliding Integration Brackets by Backlight	Integrated Light Connection Clip (Qty) - by Armstrong	Driver	Instructions
2" x 95"	BKL UL 00 1781	34 W	2163 lm del	3000 K	4 - each lamp	8171WGB0C01 (4 - each lamp)	see page 79	see page 26
3.25" x 95"	BKL UL 00 1782	68 W	4325 lm del	3000 K	4 - each lamp	8171WGB0C01 (4 - each lamp)	see page 79	see page 26
5.25" x 95"	BKL UL 00 1783	68 W	4325 lm del	3000 K	4 - each lamp	8171WGB0C01 (4 - each lamp)	see page 79	see page 26

WoodWorks® Grille Coordinating Panel Item 7094BO

CHIARO Dimension	Cod. CHIARO lamp	Watt	Lumen del	Nominal K (see page 78)	Qty of Sliding Integration Brackets by Backlight	Integrated Light Connection Clip (Qty) - by Armstrong	Driver	Instructions
2" x 95"	BKL UL 00 1781	34 W	2163 lm del	3000 K	4 - each lamp	8171WGB0C02 (4 - each lamp)	see page 79	see page 26
3.25" x 95"	BKL UL 00 1782	68 W	4325 lm del	3000 K	4 - each lamp	8171WGB0C02 (4 - each lamp)	see page 79	see page 26
5.25" x 95"	BKL UL 00 1783	68 W	4325 lm del	3000 K	4 - each lamp	8171WGB0C02 (4 - each lamp)	see page 79	see page 26

WoodWorks® Grille Coordinating Panel Item 7265BO

CHIARO Dimension	Cod. CHIARO lamp	Watt	Lumen del	Nominal K (see page 78)	Qty of Sliding Integration Brackets by Backlight	Integrated Light Connection Clip (Qty) - by Armstrong	Driver	Instructions
2" x 95"	BKL UL 00 1781	34 W	2163 lm del	3000 K	4 - each lamp	8171WGB0C02 (4 - each lamp)	see page 79	see page 26
3.25" x 95"	BKL UL 00 1782	68 W	4325 lm del	3000 K	4 - each lamp	8171WGB0C02 (4 - each lamp)	see page 79	see page 26
5.25" x 95"	BKL UL 00 1783	68 W	4325 lm del	3000 K	4 - each lamp	8171WGB0C02 (4 - each lamp)	see page 79	see page 26

FOR INFO AND ORDERS CONTACT US AT chiaro.armstrong@backlightsrl.com

HOW TO ORDER

WoodWorks® Grille Coordinating Panel Item 7266BO

CHIARO Dimension	Cod. CHIARO lamp	Watt	Lumen del	Nominal K (see page 78)	Qty of Sliding Integration Brackets by Backlight	Integrated Light Connection Clip (Qty) - by Armstrong	Driver	Instructions
2" x 95"	BKL UL 00 1781	34 W	2163 lm del	3000 K	4 - each lamp	8171WGB0C02 (4 - each lamp)	see page 79	see page 26
3.25" x 95"	BKL UL 00 1782	68 W	4325 lm del	3000 K	4 - each lamp	8171WGB0C02 (4 - each lamp)	see page 79	see page 26
5.25" x 95"	BKL UL 00 1783	68 W	4325 lm del	3000 K	4 - each lamp	8171WGB0C02 (4 - each lamp)	see page 79	see page 26

WoodWorks® Grille Coordinating Panel Item 7095BO

CHIARO Dimension	Cod. CHIARO lamp	Watt	Lumen del	Nominal K (see page 78)	Qty of Sliding Integration Brackets by Backlight	Integrated Light Connection Clip (Qty) - by Armstrong	Driver	Instructions
2" x 95"	BKL UL 00 1781	34 W	2163 lm del	3000 K	4 - each lamp	8171WGB0C03 (4 - each lamp)	see page 79	see page 26
3.25" x 95"	BKL UL 00 1782	68 W	4325 lm del	3000 K	4 - each lamp	8171WGB0C03 (4 - each lamp)	see page 79	see page 26
5.25" x 95"	BKL UL 00 1783	68 W	4325 lm del	3000 K	4 - each lamp	8171WGB0C03 (4 - each lamp)	see page 79	see page 26

WoodWorks® Grille Coordinating Panel Item 7097BO

CHIARO Dimension	Cod. CHIARO lamp	Watt	Lumen del	Nominal K (see page 78)	Qty of Sliding Integration Brackets by Backlight	Integrated Light Connection Clip (Qty) - by Armstrong	Driver	Instructions
2" x 95"	BKL UL 00 1781	34 W	2163 lm del	3000 K	4 - each lamp	8171WGB0C03 (4 - each lamp)	see page 79	see page 26
3.25" x 95"	BKL UL 00 1782	68 W	4325 lm del	3000 K	4 - each lamp	8171WGB0C03 (4 - each lamp)	see page 79	see page 26
5.25" x 95"	BKL UL 00 1783	68 W	4325 lm del	3000 K	4 - each lamp	8171WGB0C03 (4 - each lamp)	see page 79	see page 26

FOR INFO AND ORDERS CONTACT US AT chiaro.armstrong@backlightsrl.com

CHIARO

CHIARO



WoodWorks® Grille Tegular vertical slats in Maple with 5-1/4" x 23-3/8" linear light fixture
(Coordinating WoodWorks Panel Items: 662808, 663008, 662812, 663012, 662912 and 663112)

Backlight CHIARO for WoodWorks® Grille Tegular

Coordinating WoodWorks Panel Items: 662808, 663008, 662812, 663012, 662912 and 663112

32	CHIARO MODELS
33	TECHNICAL SPECS
34	CHIARO model 2" x 23.375" (cod. BKL UL 00 1784)
36	CHIARO model 3.25" x 23.375" (cod. BKL UL 00 1785)
38	CHIARO model 5.25" x 23.375" (cod. BKL UL 00 1786)
40	CHIARO model 3.25" x 47.375" (cod. BKL UL 00 1788)
42	CHIARO model 5.25" x 47.375" (cod. BKL UL 00 1789)
44	CHIARO model 2" x 23" (cod. BKL UL 00 1790)
46	CHIARO model 3.25" x 23" (cod. BKL UL 00 1791)
48	CHIARO model 5.25" x 23" (cod. BKL UL 00 1792)
50	CHIARO model 2" x 47" (cod. BKL UL 00 1793)
52	CHIARO model 3.25" x 47" (cod. BKL UL 00 1794)
54	CHIARO model 5.25" x 47" (cod. BKL UL 00 1795)
56	INSTALLATION DETAILS by Armstrong® Ceiling Solutions
64	HOW TO ORDER

CHIARO

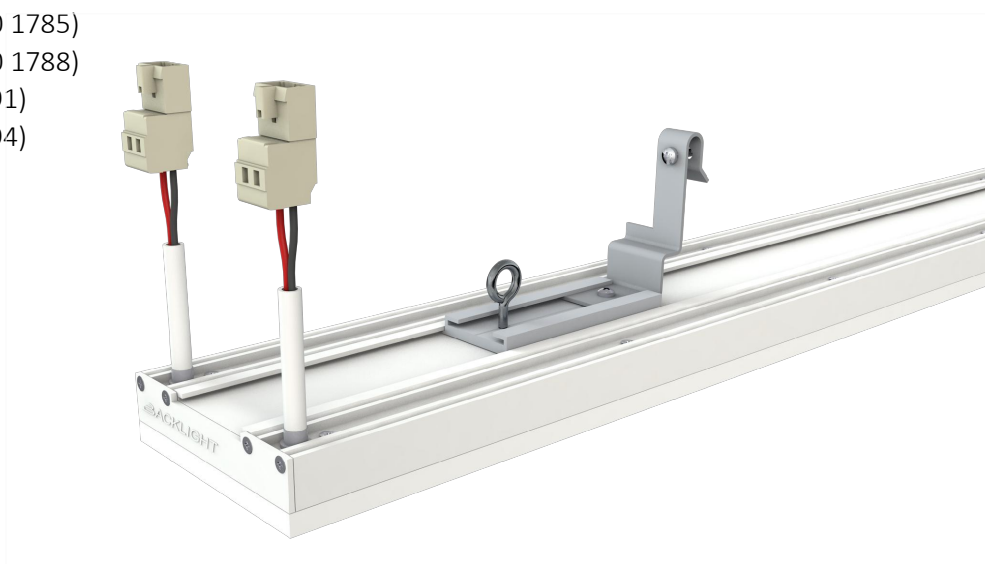
WoodWorks® Grille Tegular
Coordinating Panel Items: 662912, 662808, 663008
662812, 663112 and 663012

CHIARO

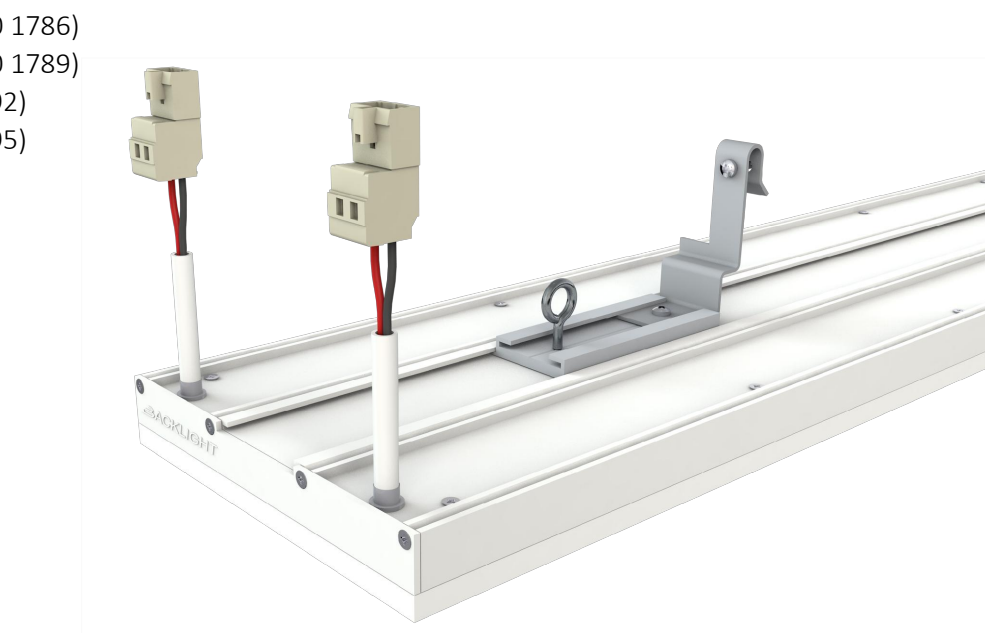
- 2" x 23.375" (cod. BKL UL 00 1784)
- 2" x 23" (cod. BKL UL 00 1790)
- 2" x 47" (cod. BKL UL 00 1793)



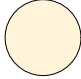





- 3.25" x 23.375" (cod. BKL UL 00 1785)
- 3.25" x 47.375" (cod. BKL UL 00 1788)
- 3.25" x 23" (cod. BKL UL 00 1791)
- 3.25" x 47" (cod. BKL UL 00 1794)



- 5.25" x 23.375" (cod. BKL UL 00 1786)
- 5.25" x 47.375" (cod. BKL UL 00 1789)
- 5.25" x 23" (cod. BKL UL 00 1792)
- 5.25" x 47" (cod. BKL UL 00 1795)



GENERAL SPECIFICATION

COLOUR TEMPERATURES	 Nominal 3000 K (and other K under request)
INPUT VOLTAGE	24V DC
DRIVER	AC DC 24V DC OUTPUT (class 2 Power Unit, for more specs see on page 79)
DIMMABILITY	
POWER CONSUMPTION	see individual lamp tables
WEIGHT	5.7 lbs/sq. ft (25 Kg/sq. mt)
IP GRADE	IP40
CRI	> 95 (for more specs see on page 78)
LUMEN DELIVERED	see individual lamp tables
LIFE TIME	70.000 hrs
WARRANTY	3 Years (36 month) from shipping
CERTIFICATIONS	    <ul style="list-style-type: none"> • Ceiling surface Mounted • Ceiling recessed Type IC Inherently protected • Wall surface Mounted • NEW Storage Area of a Clothes Closet <p>Storage Area of Clothes Closet</p>

CHIARO 2" x 23.375"

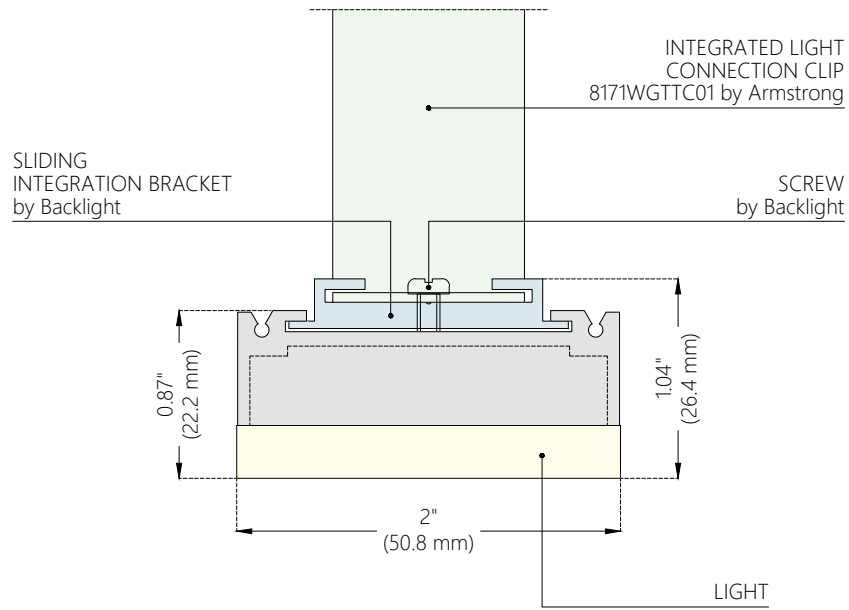
(cod. BKL UL 00 1784)

WoodWorks® Grille Tegular

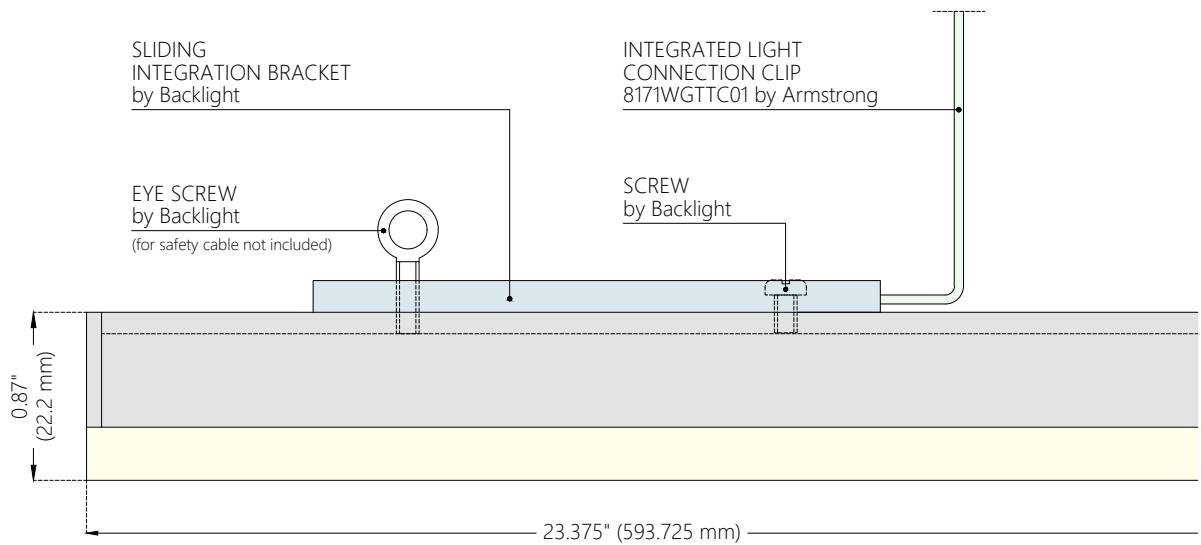
Coordinating Panel Items: 662912

CHIARO

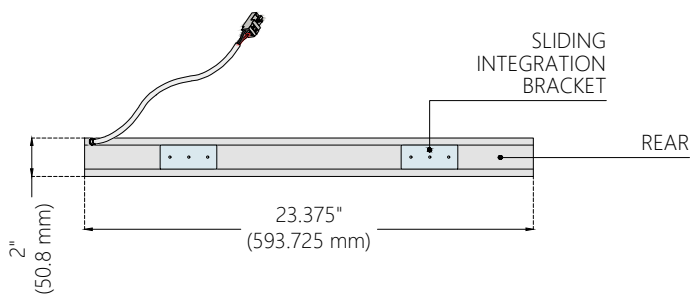
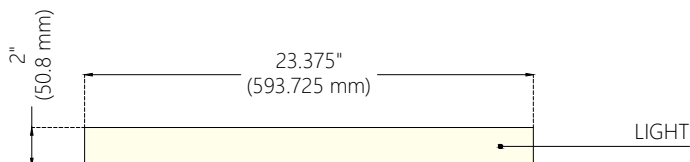
CROSS SECTION



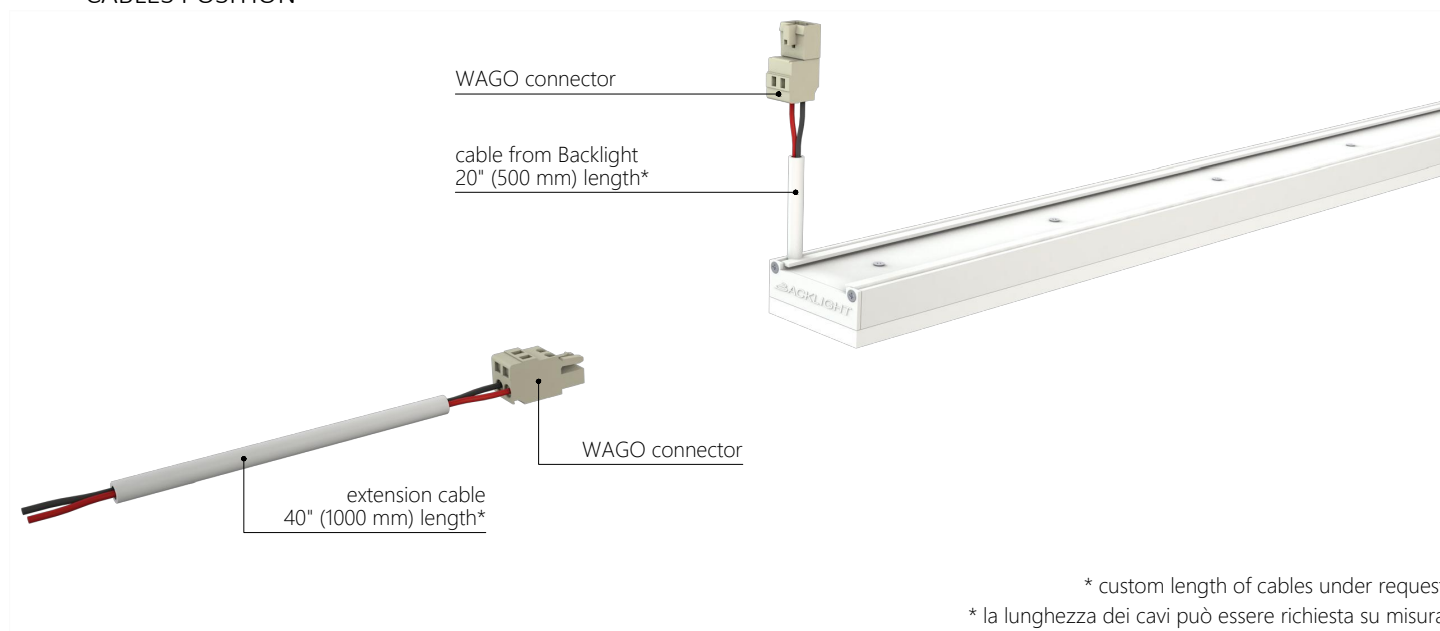
LONGITUDINAL SECTION



LIGHTING VIEW / REAR SIDE



CABLES POSITION



* custom length of cables under request
 * la lunghezza dei cavi può essere richiesta su misura

Coordinating WoodWorks® Panel Item	Cod. CHIARO lamp	Watt	Lumen del	Nominal K (see page 78)	Qty of Sliding Integration Brackets by Backlight	Integrated Light Connection Clip (Qty) - by Armstrong	Driver	Instructions
662912	BKL UL 00 1784	9 W	573 lm del	3000 K	2 - each lamp	8171WGTTTC01 (2 - each lamp)	see page 79	see page 56

CHIARO 3.25" x 23.375"

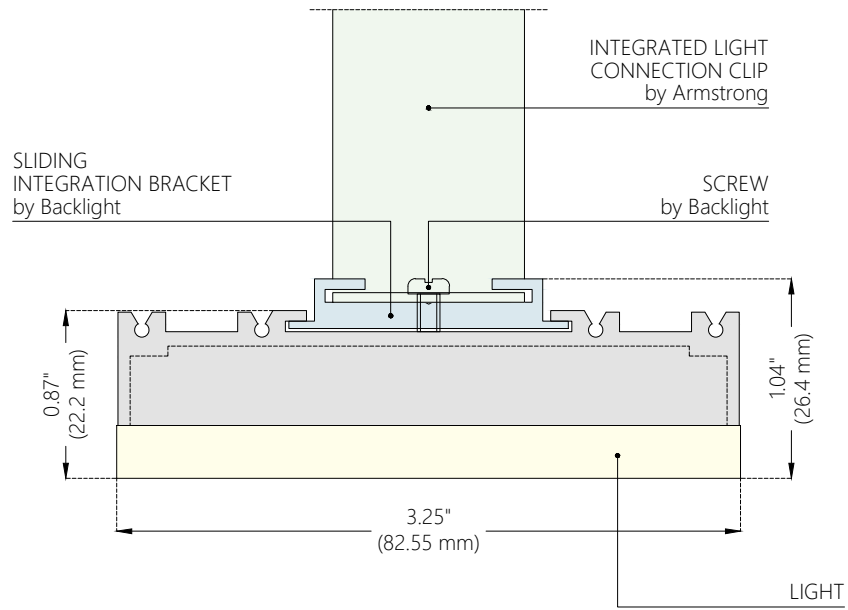
(cod. BKL UL 00 1785)

WoodWorks® Grille Tegular

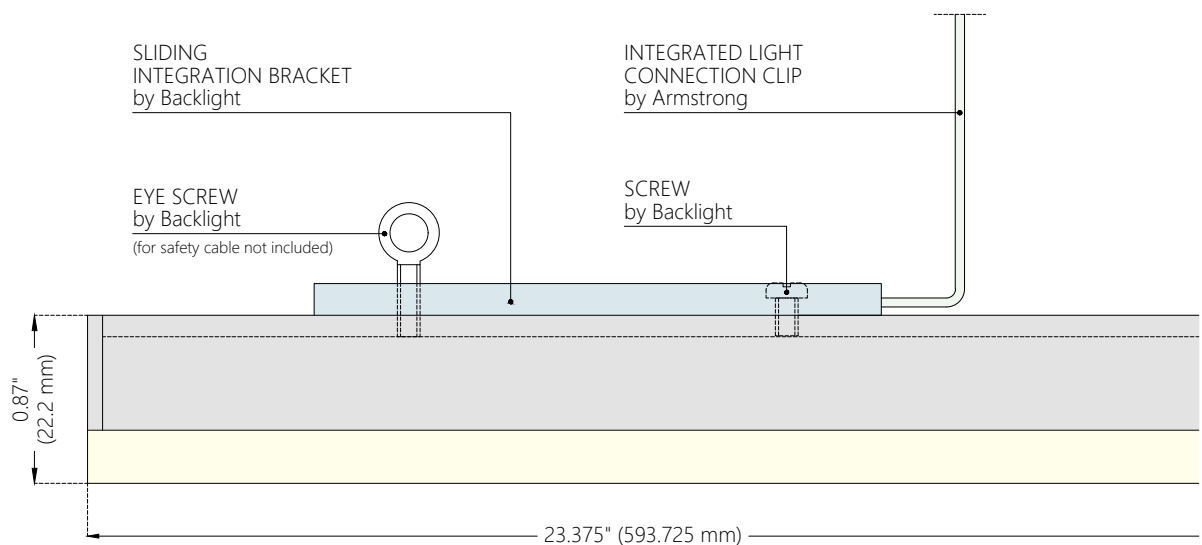
Coordinating Panel Items: 662912 - 662808

CHIARO

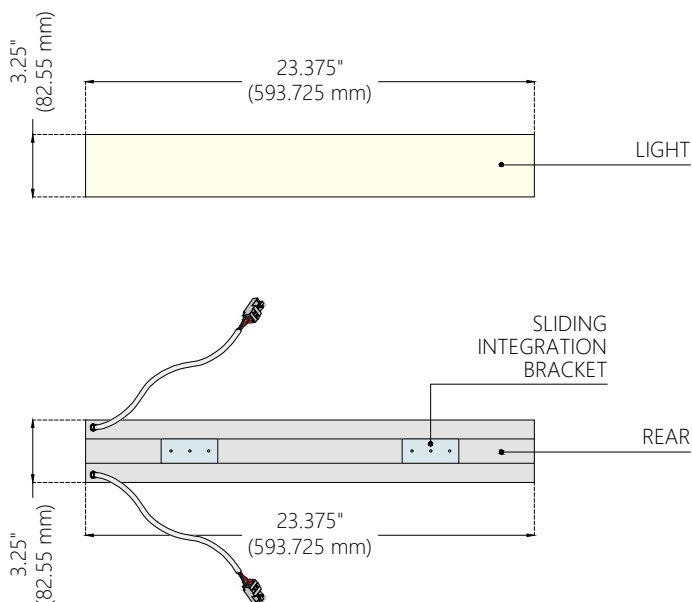
CROSS SECTION



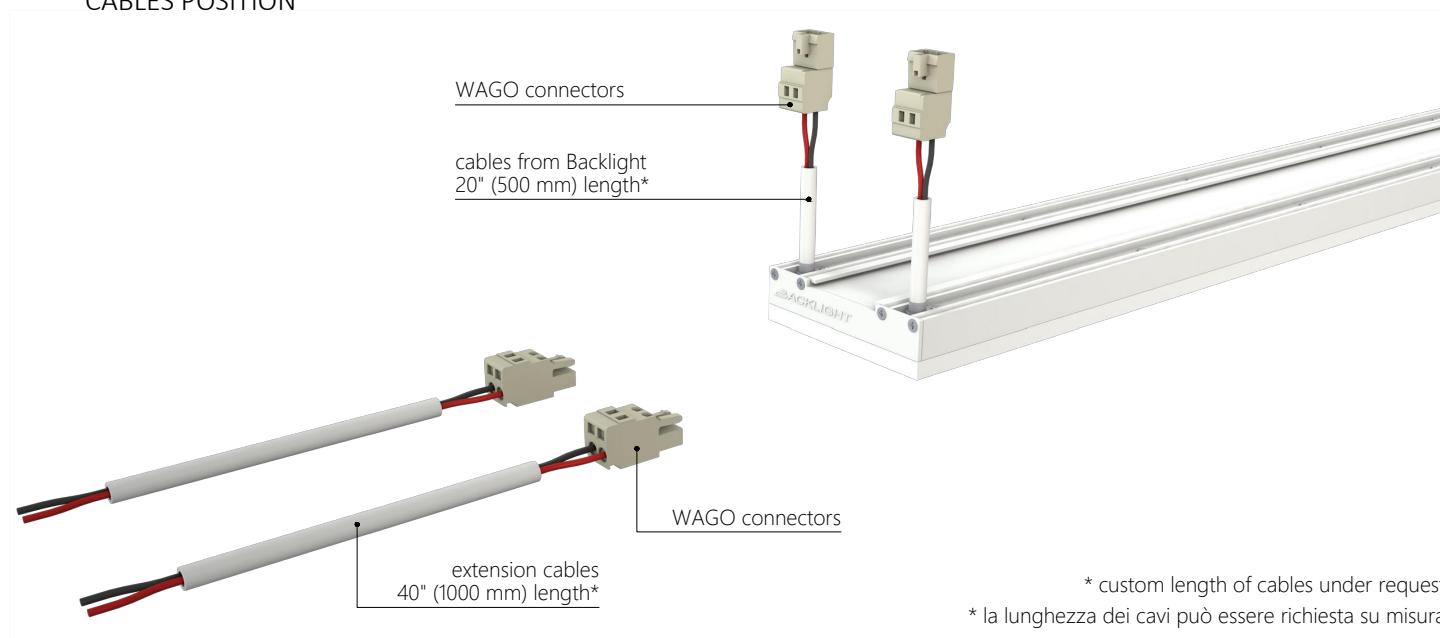
LONGITUDINAL SECTION



LIGHTING VIEW / REAR SIDE



CABLES POSITION



* custom length of cables under request
 * la lunghezza dei cavi può essere richiesta su misura

Coordinating WoodWorks® Panel Item	Cod. CHIARO lamp	Watt	Lumen del	Nominal K (see page 78)	Qty of Sliding Integration Brackets by Backlight	Integrated Light Connection Clip (Qty) - by Armstrong	Driver	Instructions
662912	BKL UL 00 1785	17 W	1082 lm del	3000 K	2 - each lamp	8171WGTTTC01 (2 - each lamp)	see page 79	see page 56
662808	BKL UL 00 1785	17 W	1082 lm del	3000 K	2 - each lamp	8171WGTTTC03 (2 - each lamp)	see page 79	see page 57

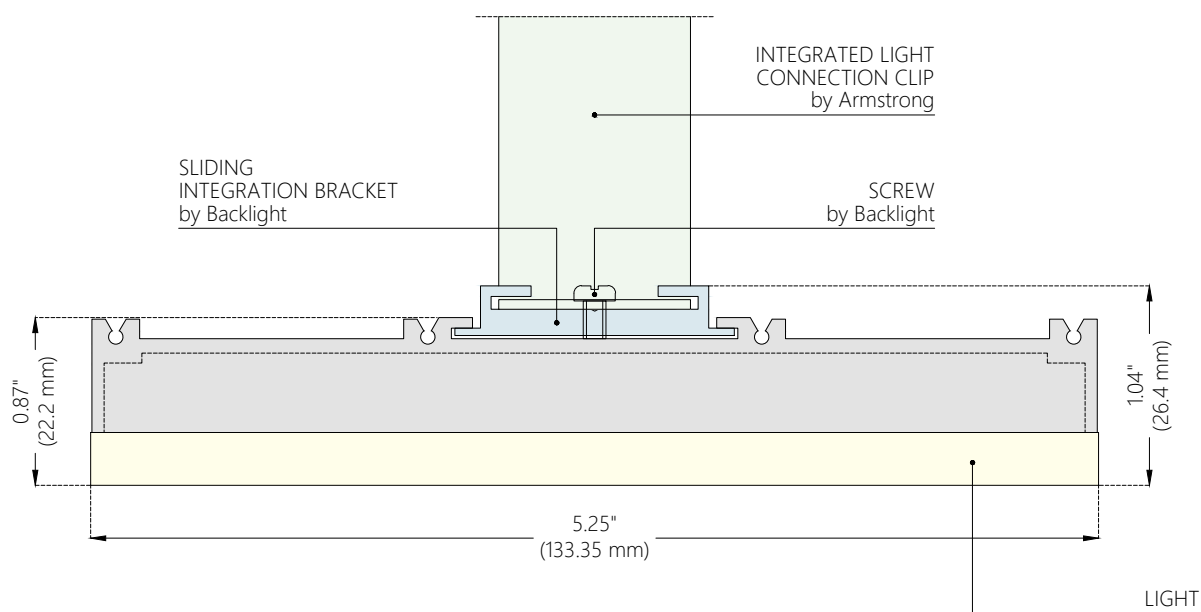
CHIARO 5.25" x 23.375"

(cod. BKL UL 00 1786)

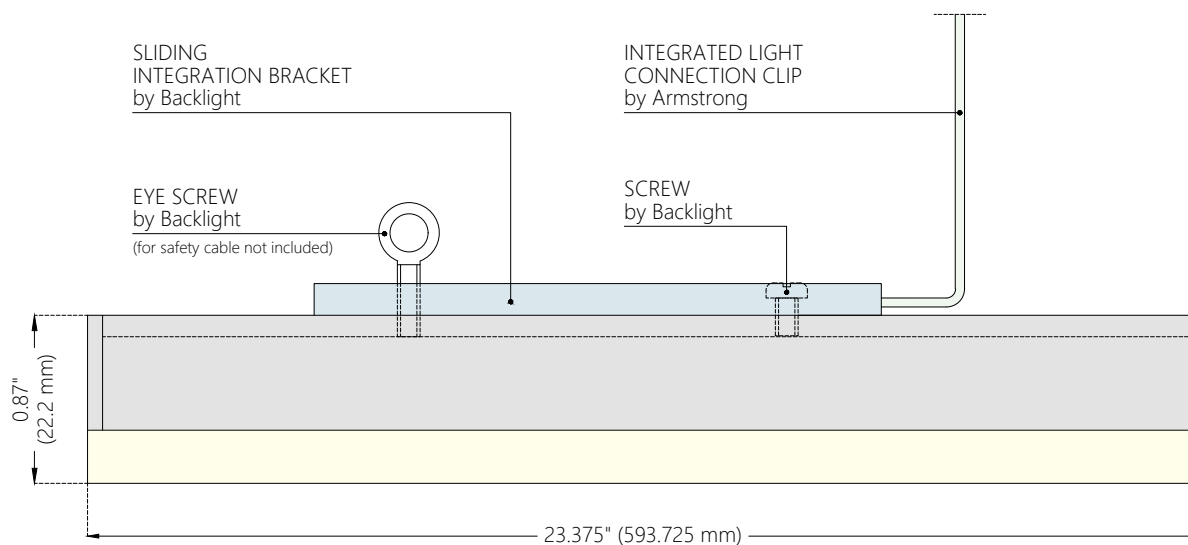
WoodWorks® Grille Tegular
Coordinating Panel Items: 662912 - 662808

CHIARO

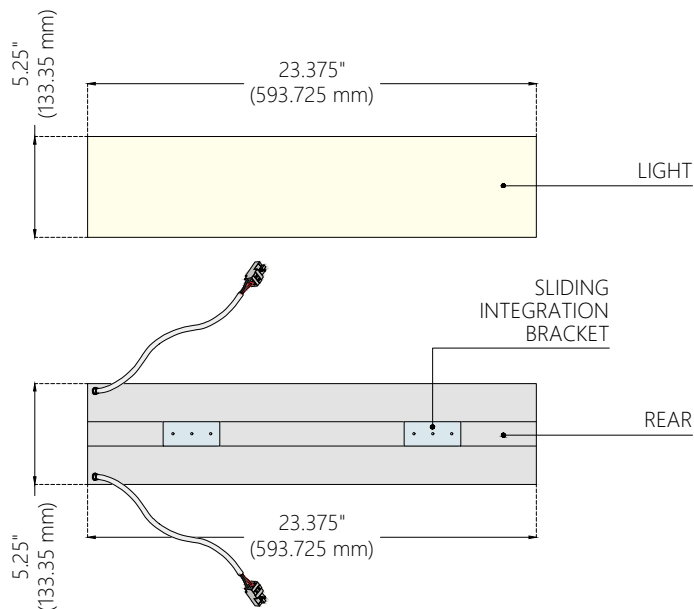
CROSS SECTION



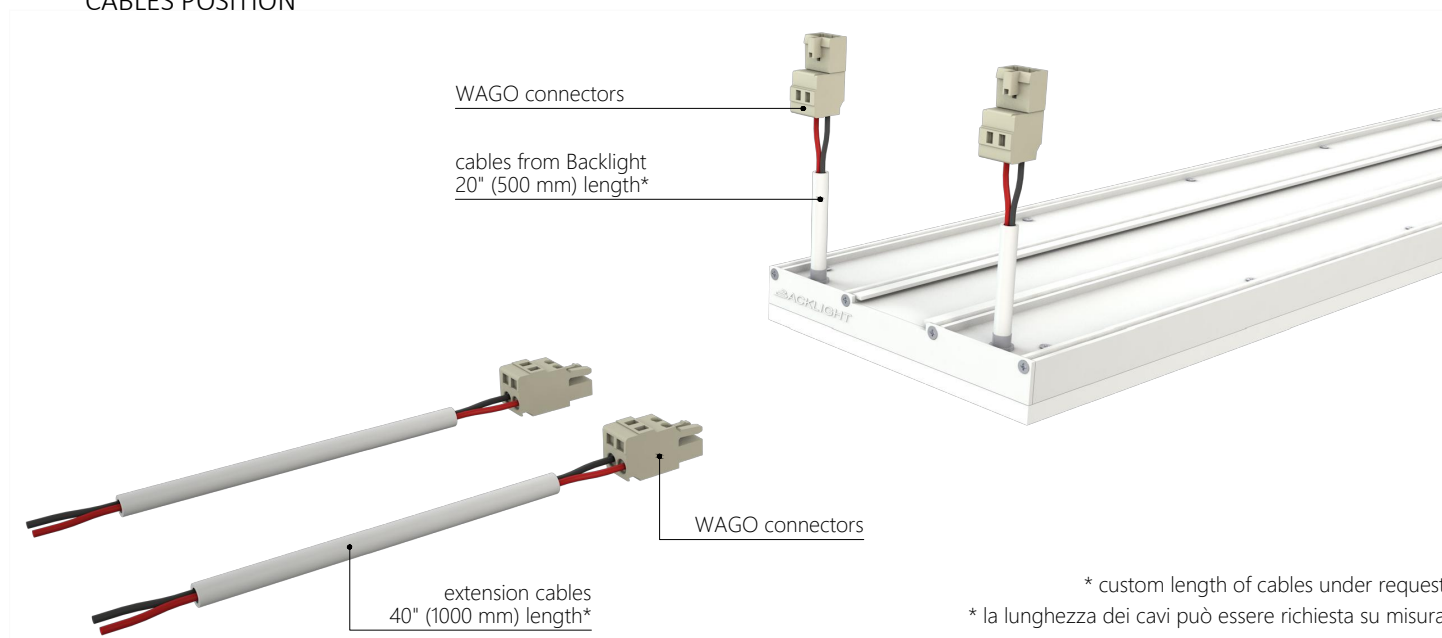
LONGITUDINAL SECTION



LIGHTING VIEW / REAR SIDE



CABLES POSITION



* custom length of cables under request
 * la lunghezza dei cavi può essere richiesta su misura

Coordinating WoodWorks® Panel Item	Cod. CHIARO lamp	Watt	Lumen del	Nominal K (see page 78)	Qty of Sliding Integration Brackets by Backlight	Integrated Light Connection Clip (Qty) - by Armstrong	Driver	Instructions
662912	BKL UL 00 1786	17 W	1082 lm del	3000 K	2 - each lamp	8171WGTTTC01 (2 - each lamp)	see page 79	see page 56
662808	BKL UL 00 1786	17 W	1082 lm del	3000 K	2 - each lamp	8171WGTTTC03 (2 - each lamp)	see page 79	see page 57

CHIARO 3.25" x 47.375"

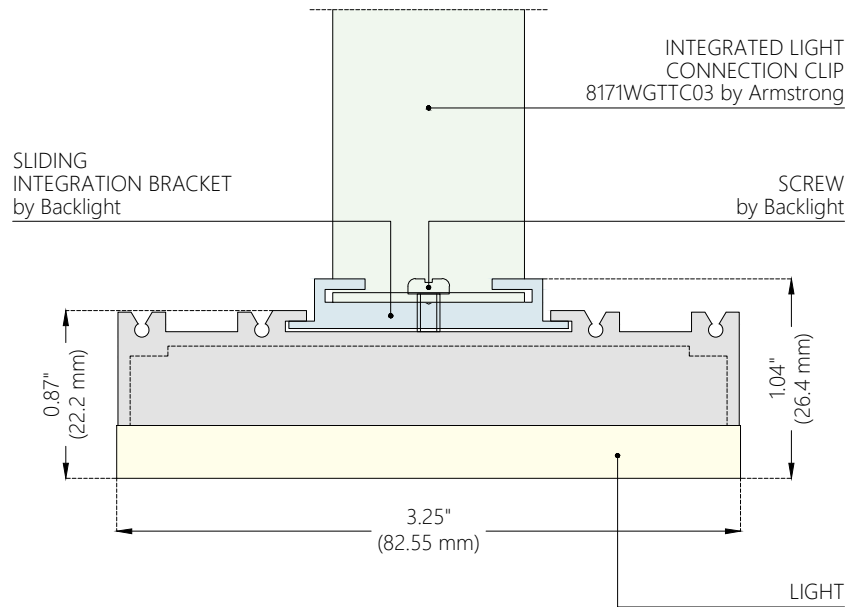
(cod. BKL UL 00 1788)

WoodWorks® Grille Tegular

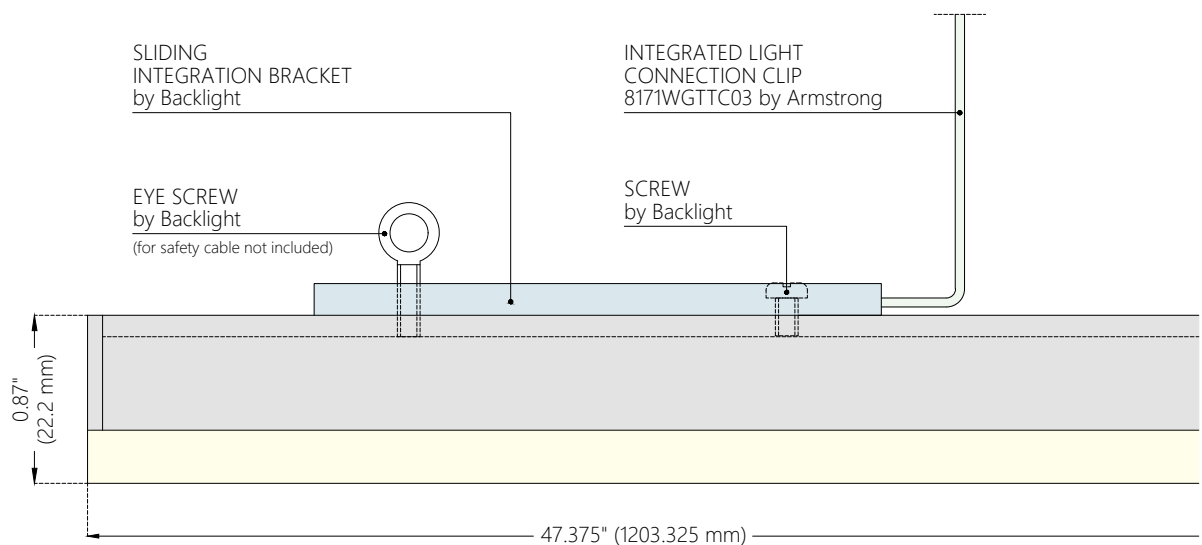
Coordinating Panel Items: 663008

CHIARO

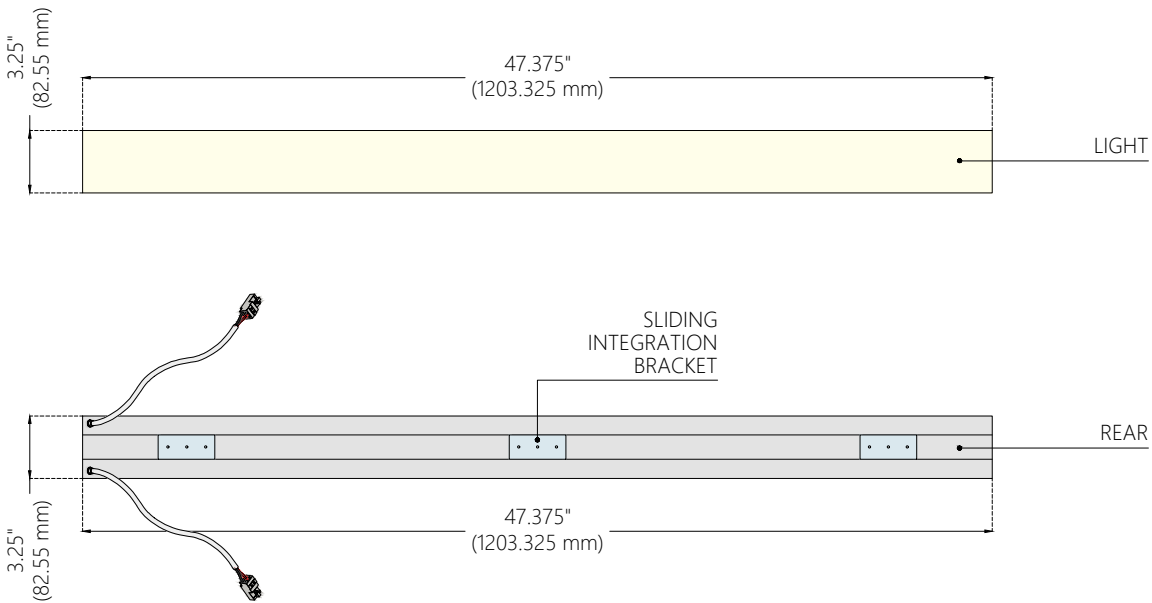
CROSS SECTION



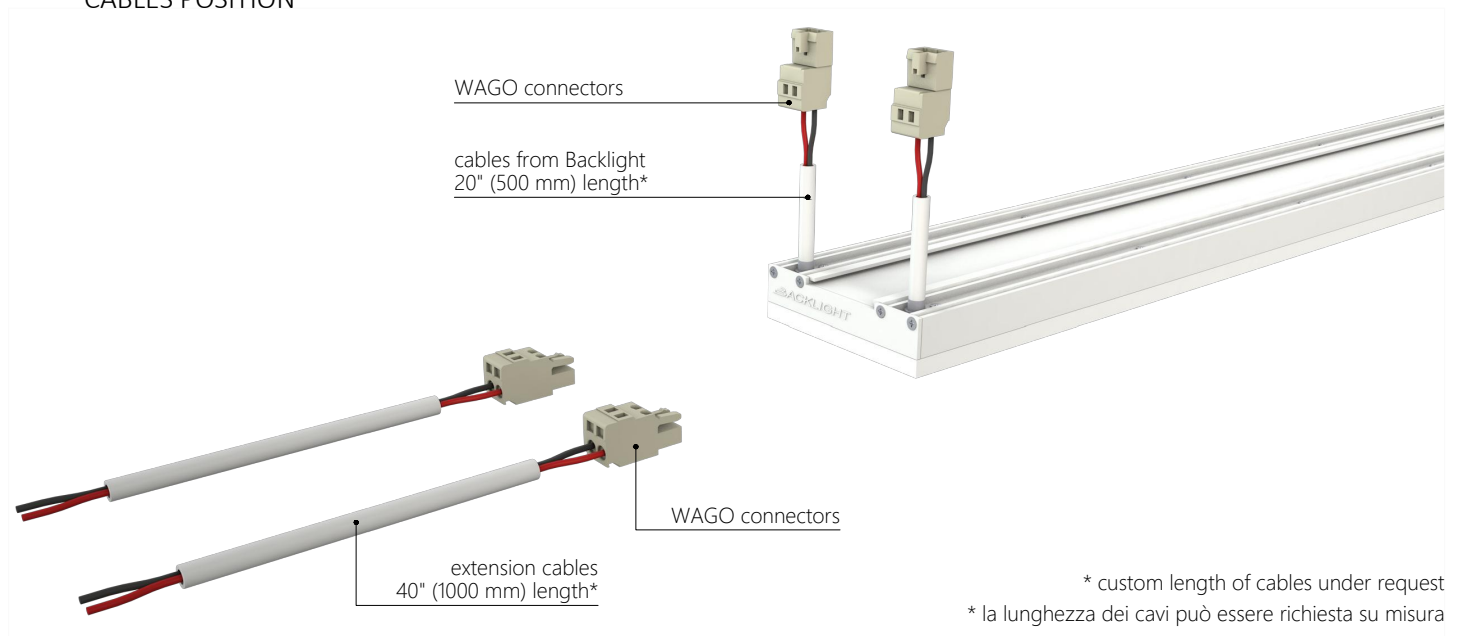
LONGITUDINAL SECTION



LIGHTING VIEW / REAR SIDE



CABLES POSITION



Coordinating WoodWorks® Panel Item	Cod. CHIARO lamp	Watt	Lumen del	Nominal K (see page 78)	Qty of Sliding Integration Brackets by Backlight	Integrated Light Connection Clip (Qty) - by Armstrong	Driver	Instructions
663008	BKL UL 00 1788	34 W	2163 lm del	3000 K	3 - each lamp	8171WGTTC03 (2 - each lamp) 8171WGTMC01* (1 - each lamp)	see page 79	see page 58

* mount on 24" stabilizer bar

CHIARO 5.25" x 47.375"

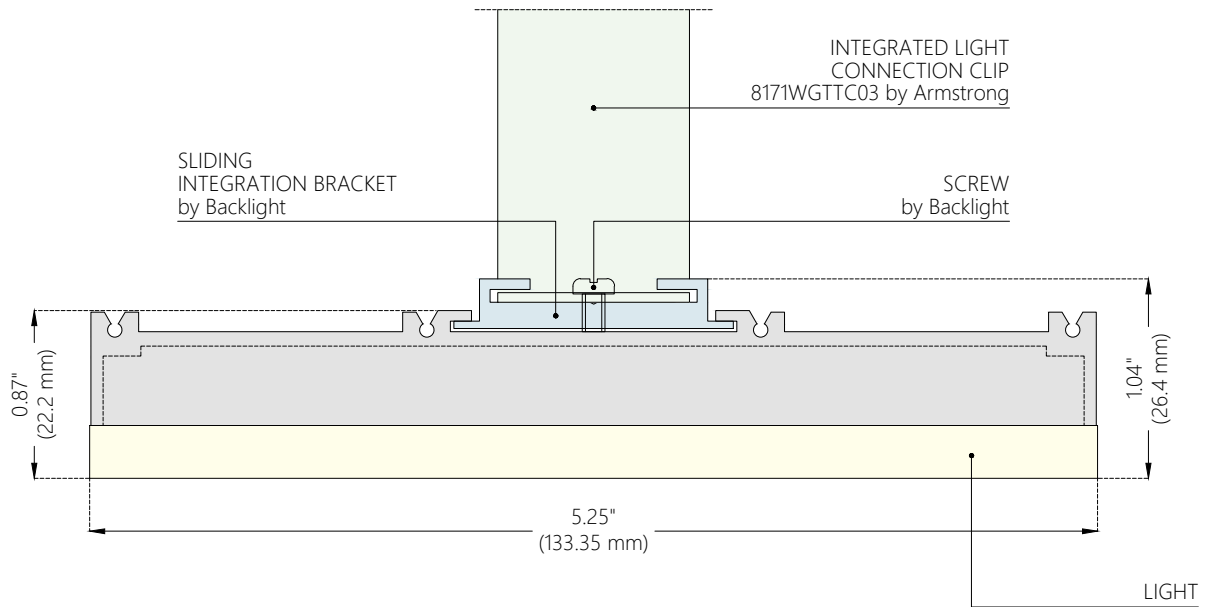
(cod. BKL UL 00 1789)

WoodWorks® Grille Tegular

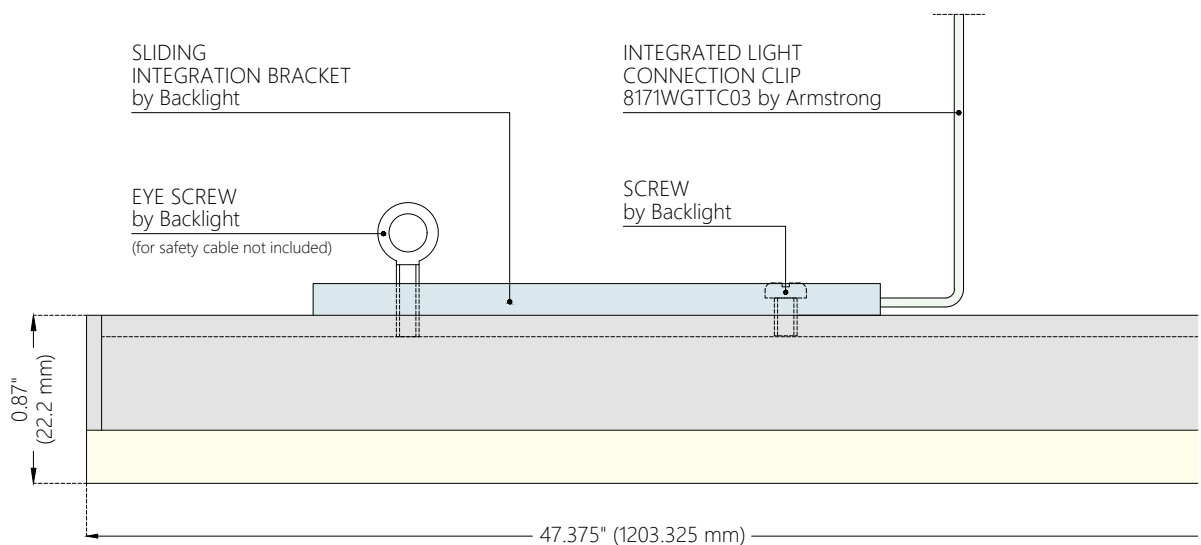
Coordinating Panel Items: 663008

CHIARO

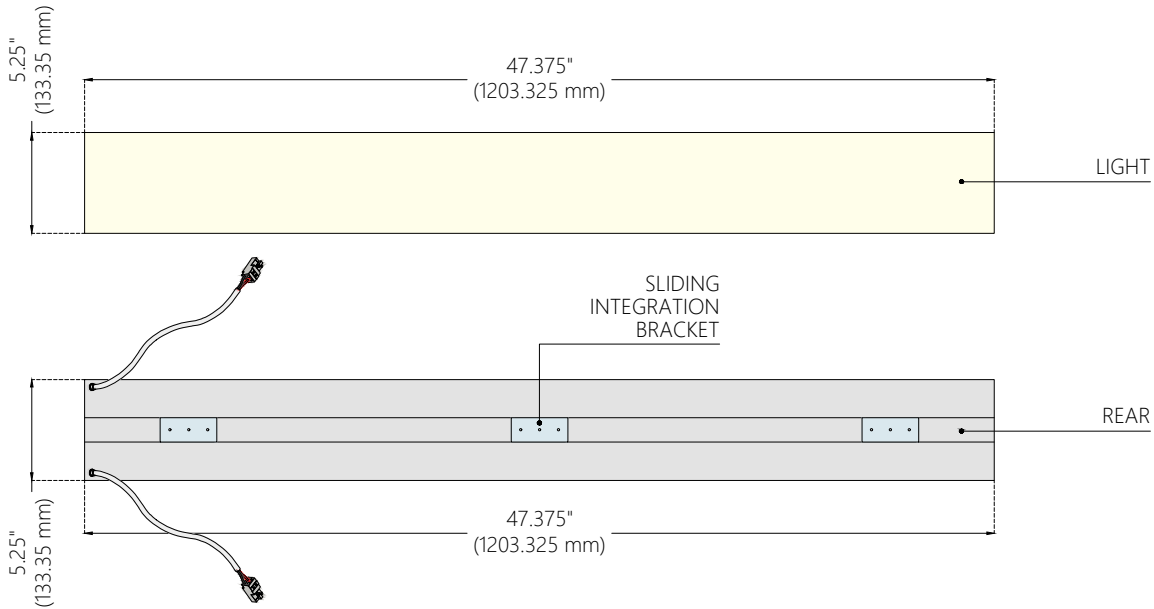
CROSS SECTION



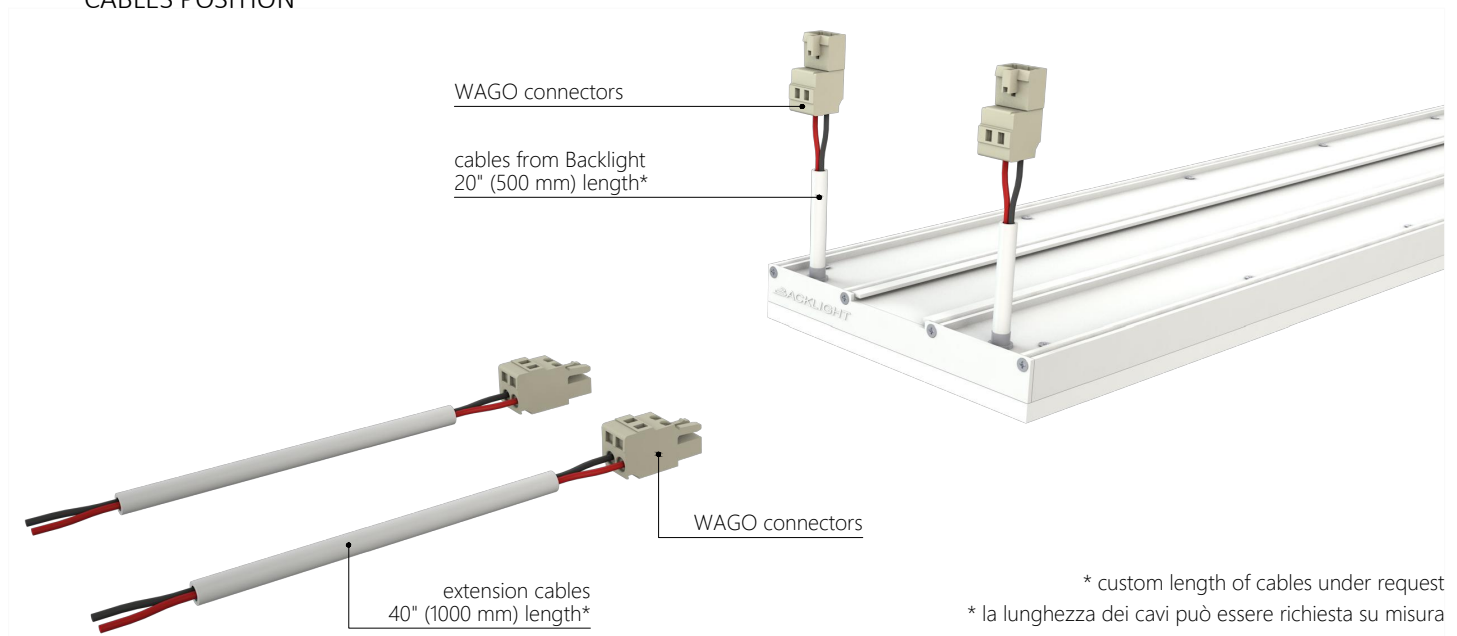
LONGITUDINAL SECTION



LIGHTING VIEW / REAR SIDE



CABLES POSITION



Coordinating WoodWorks® Panel Item	Cod. CHIARO lamp	Watt	Lumen del	Nominal K (see page 78)	Qty of Sliding Integration Brackets by Backlight	Integrated Light Connection Clip (Qty) - by Armstrong	Driver	Instructions
663008	BKL UL 00 1789	34 W	2163 lm del	3000 K	3 - each lamp	8171WGTTC03 (2 - each lamp) 8171WGTMC01* (1 - each lamp)	see page 79	see page 58

* mount on 24" stabilizer bar

CHIARO 2" x 23"

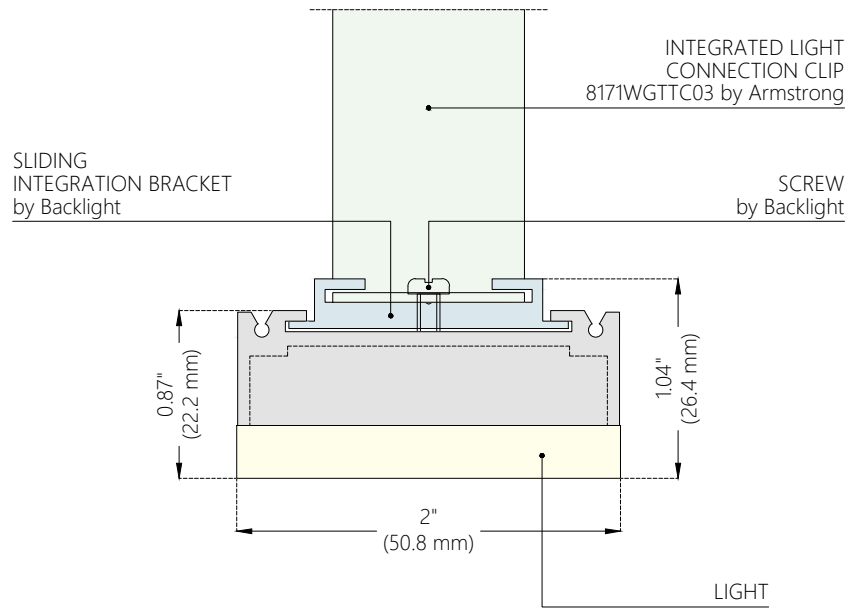
(cod. BKL UL 00 1790)

WoodWorks® Grille Tegular

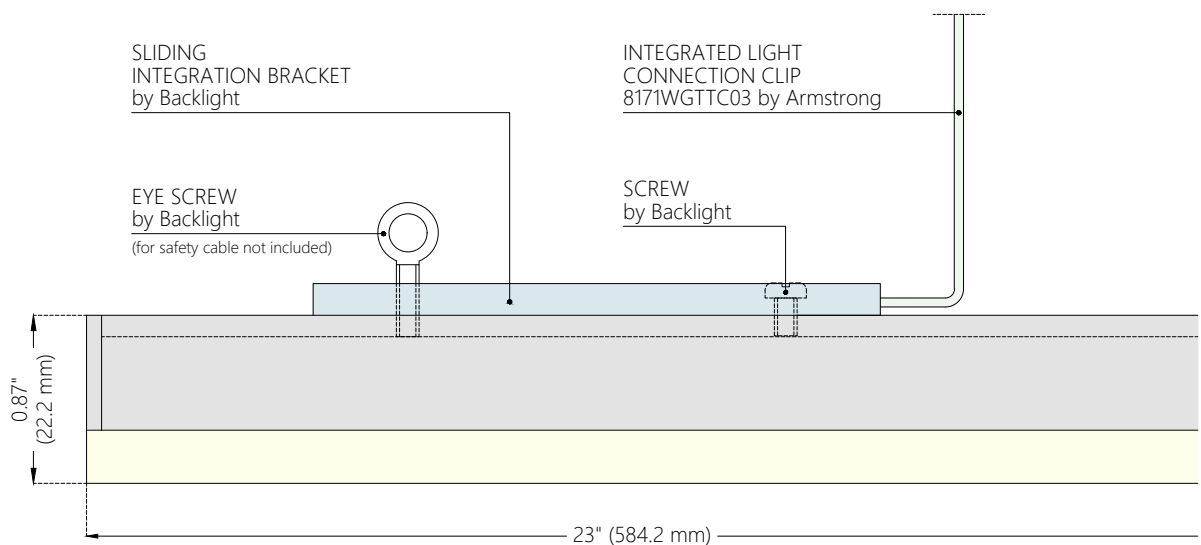
Coordinating Panel Items: 662812

CHIARO

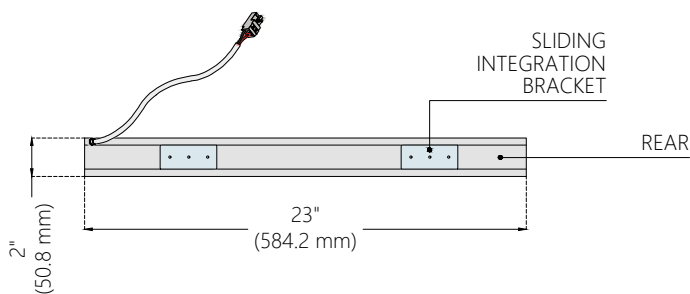
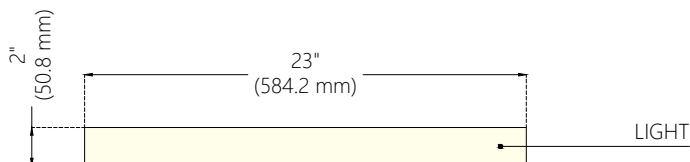
CROSS SECTION



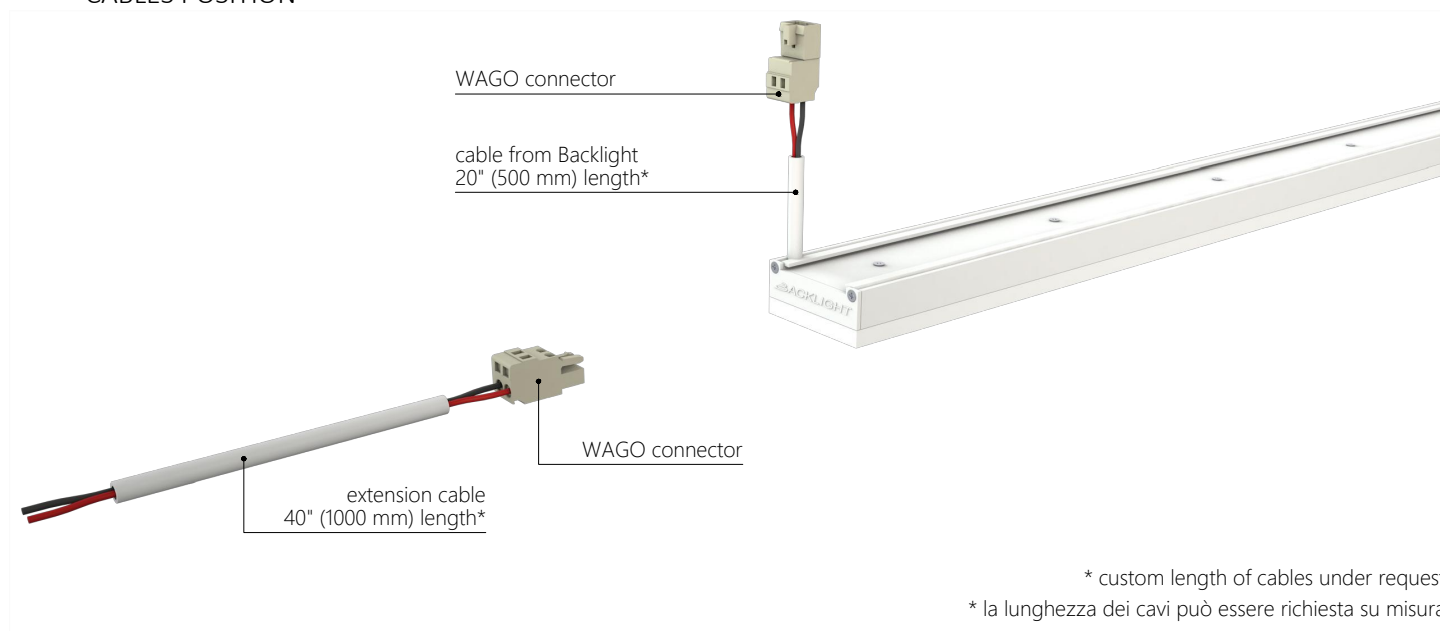
LONGITUDINAL SECTION



LIGHTING VIEW / REAR SIDE



CABLES POSITION



* custom length of cables under request
 * la lunghezza dei cavi può essere richiesta su misura

Coordinating WoodWorks® Panel Item	Cod. CHIARO lamp	Watt	Lumen del	Nominal K (see page 78)	Qty of Sliding Integration Brackets by Backlight	Integrated Light Connection Clip (Qty) - by Armstrong	Driver	Instructions
662812	BKL UL 00 1790	9 W	573 lm del	3000 K	2 - each lamp	8171WGTT03 (2 - each lamp)	see page 79	see page 59

CHIARO 3.25" x 23"

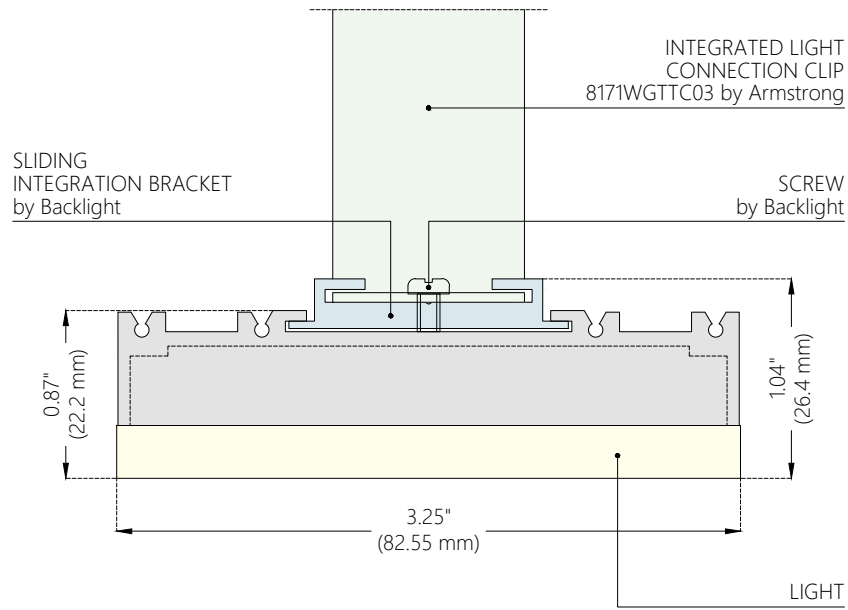
(cod. BKL UL 00 1791)

WoodWorks® Grille Tegular

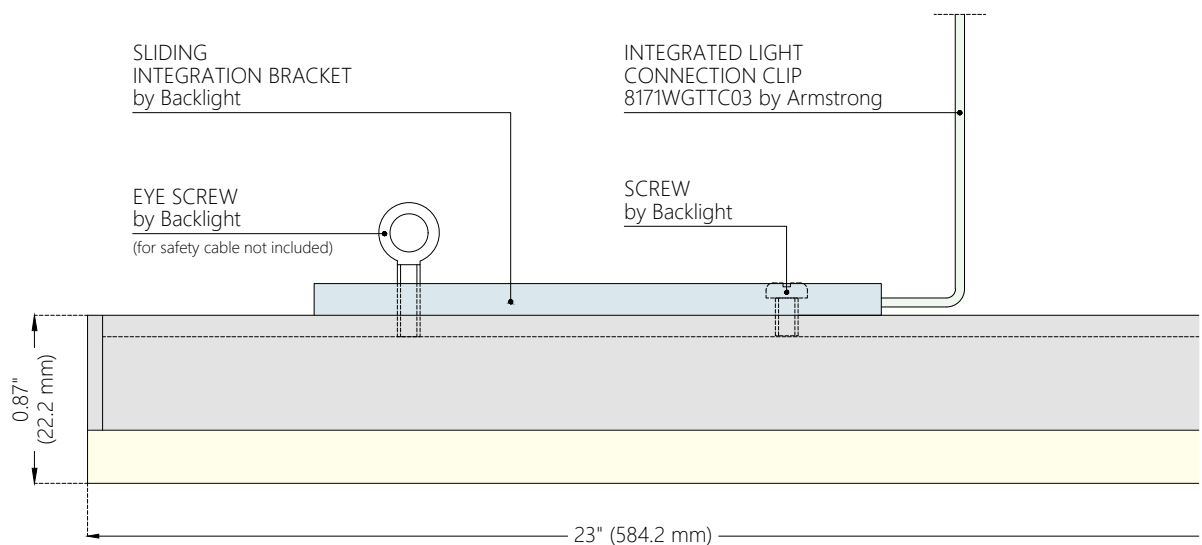
Coordinating Panel Items: 662812

CHIARO

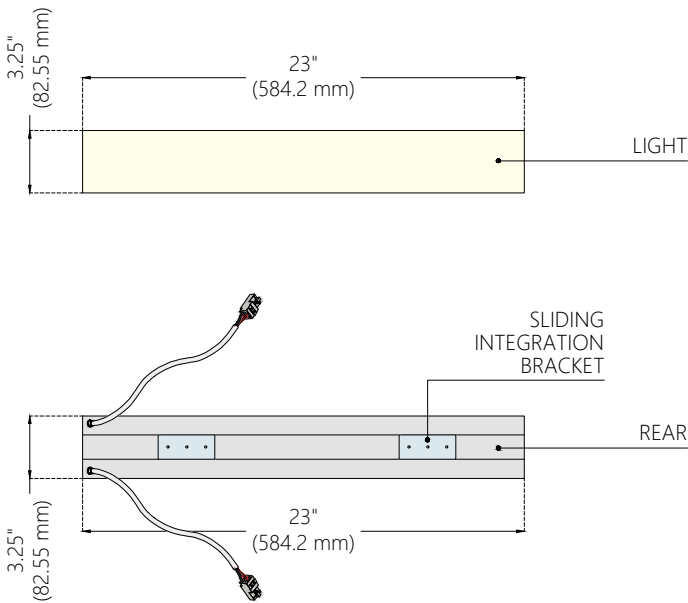
CROSS SECTION



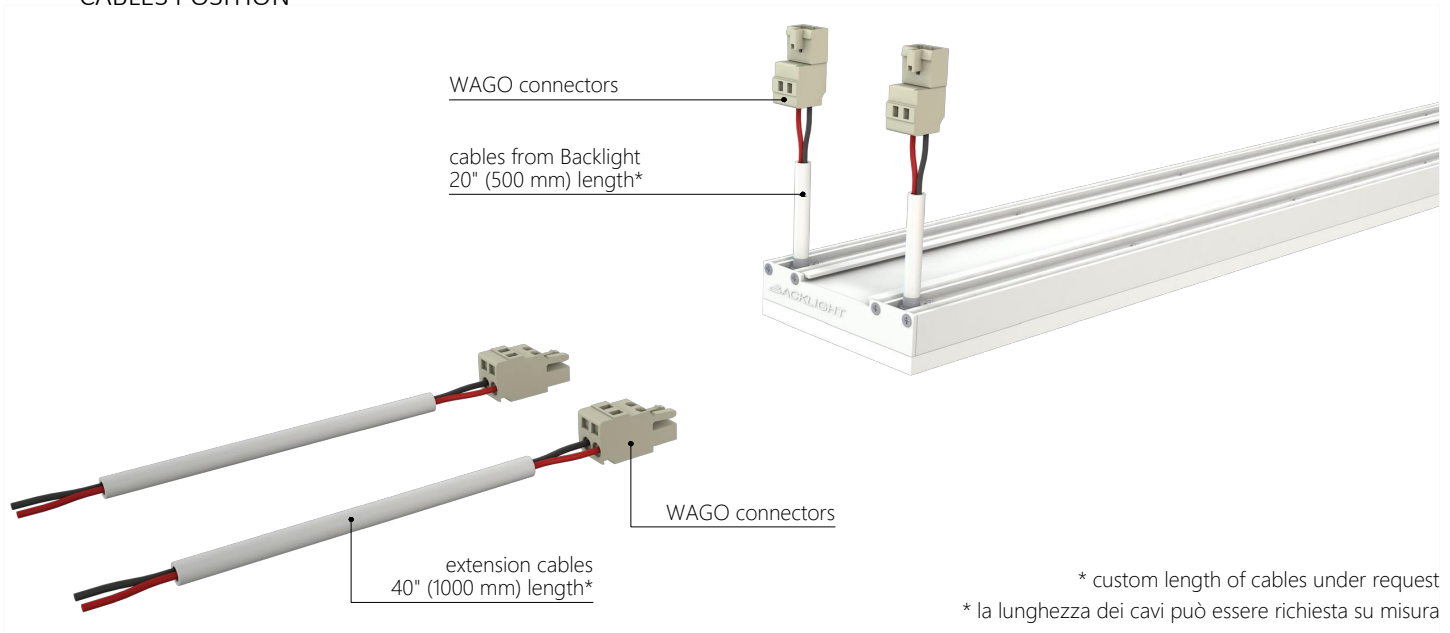
LONGITUDINAL SECTION



LIGHTING VIEW / REAR SIDE



CABLES POSITION



* custom length of cables under request
 * la lunghezza dei cavi può essere richiesta su misura

Coordinating WoodWorks® Panel Item	Cod. CHIARO lamp	Watt	Lumen del	Nominal K (see page 78)	Qty of Sliding Integration Brackets by Backlight	Integrated Light Connection Clip (Qty) - by Armstrong	Driver	Instructions
662812	BKL UL 00 1791	17 W	1082 lm del	3000 K	2 - each lamp	8171WGTTC03 (2 - each lamp)	see page 79	see page 59

CHIARO 5.25" x 23"

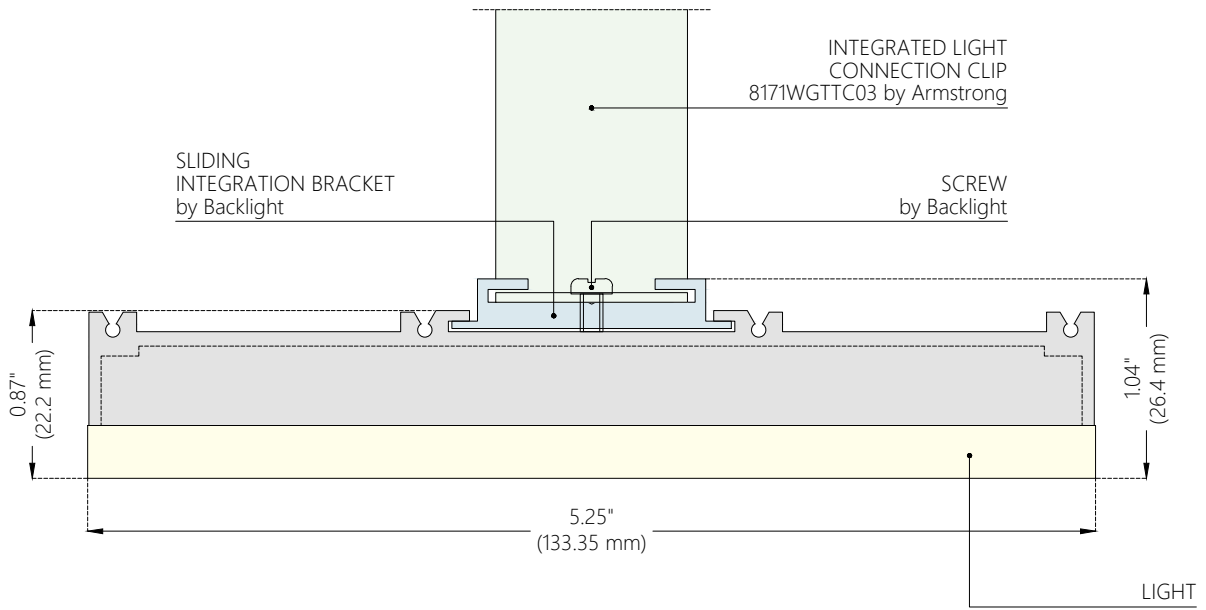
(cod. BKL UL 00 1792)

WoodWorks® Grille Tegular

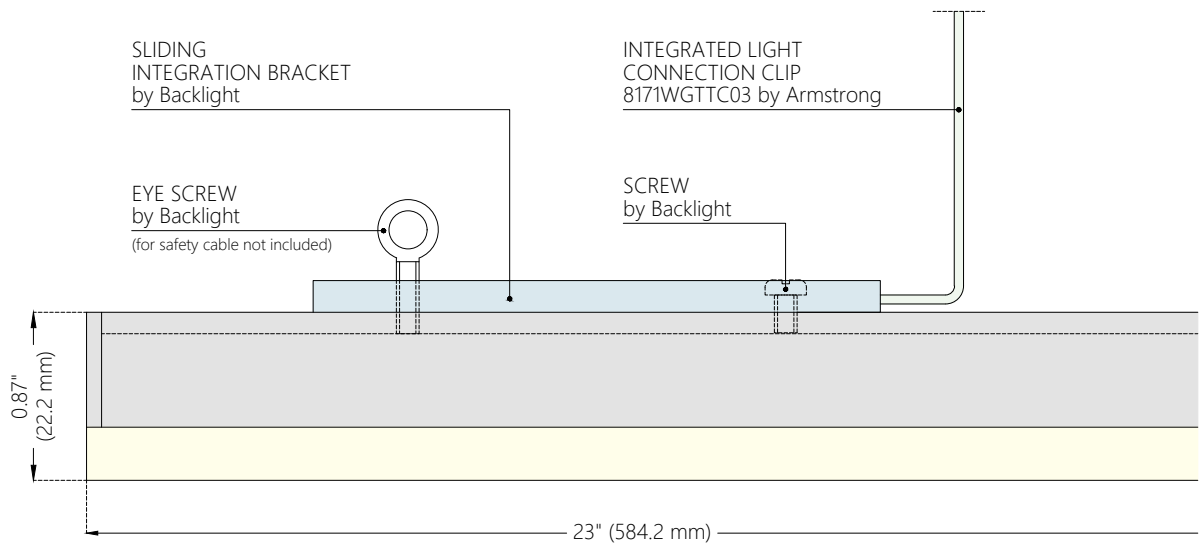
Coordinating Panel Items: 662812

CHIARO

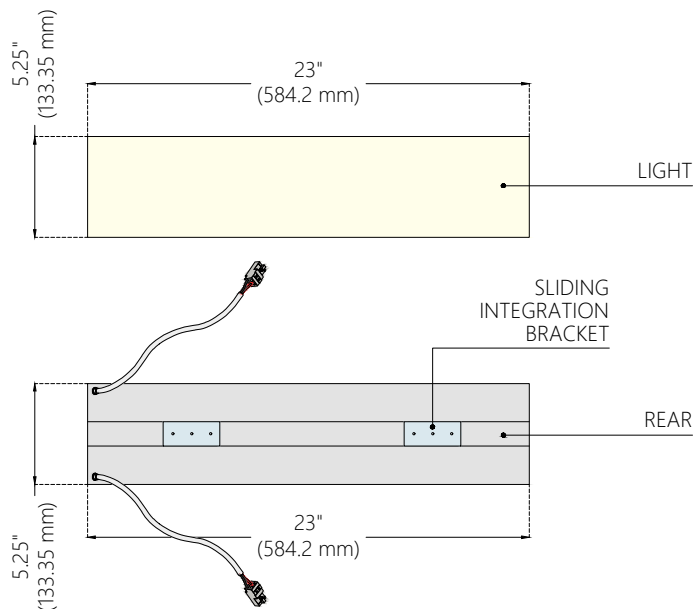
CROSS SECTION



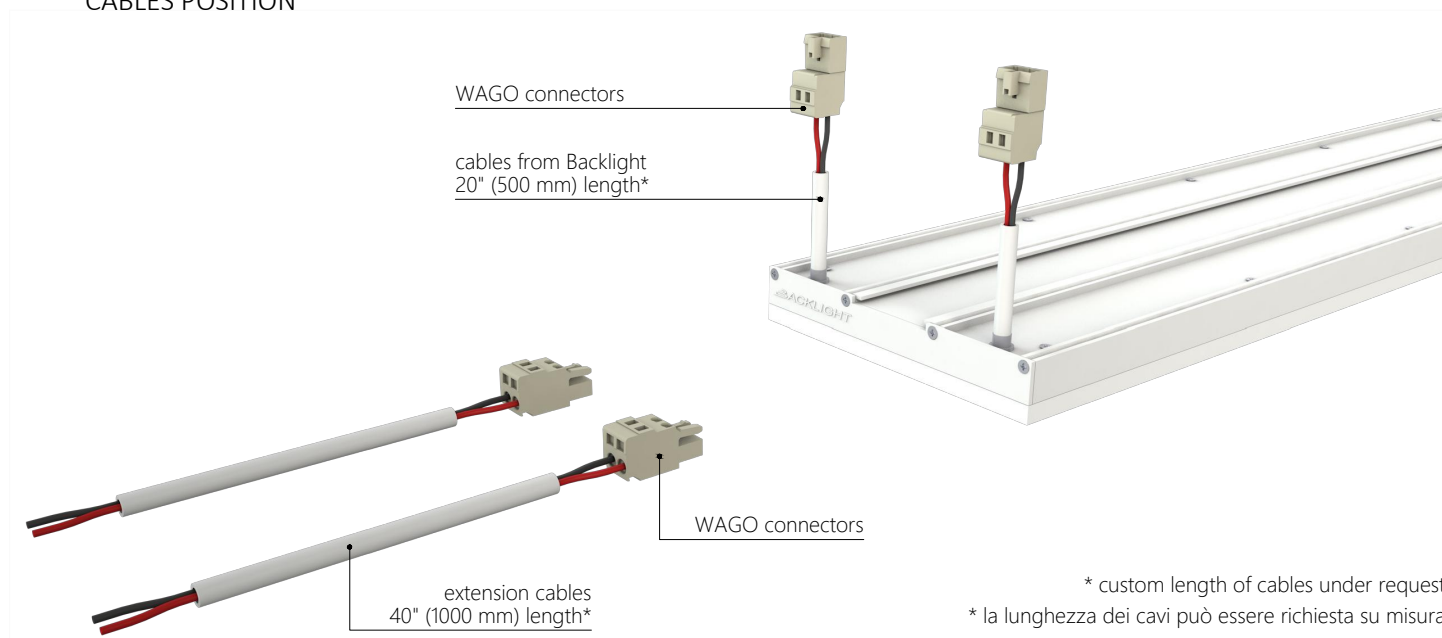
LONGITUDINAL SECTION



LIGHTING VIEW / REAR SIDE



CABLES POSITION



Coordinating WoodWorks® Panel Item	Cod. CHIARO lamp	Watt	Lumen del	Nominal K (see page 78)	Qty of Sliding Integration Brackets by Backlight	Integrated Light Connection Clip (Qty) - by Armstrong	Driver	Instructions
662812	BKL UL 00 1792	17 W	1082 lm del	3000 K	2 - each lamp	8171WGTTTC03 (2 - each lamp)	see page 79	see page 59

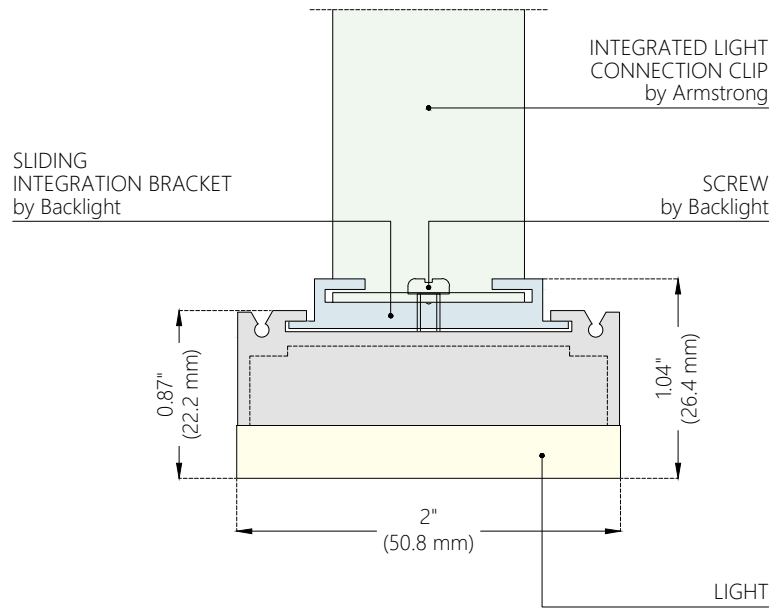
CHIARO 2" x 47"

(cod. BKL UL 00 1793)

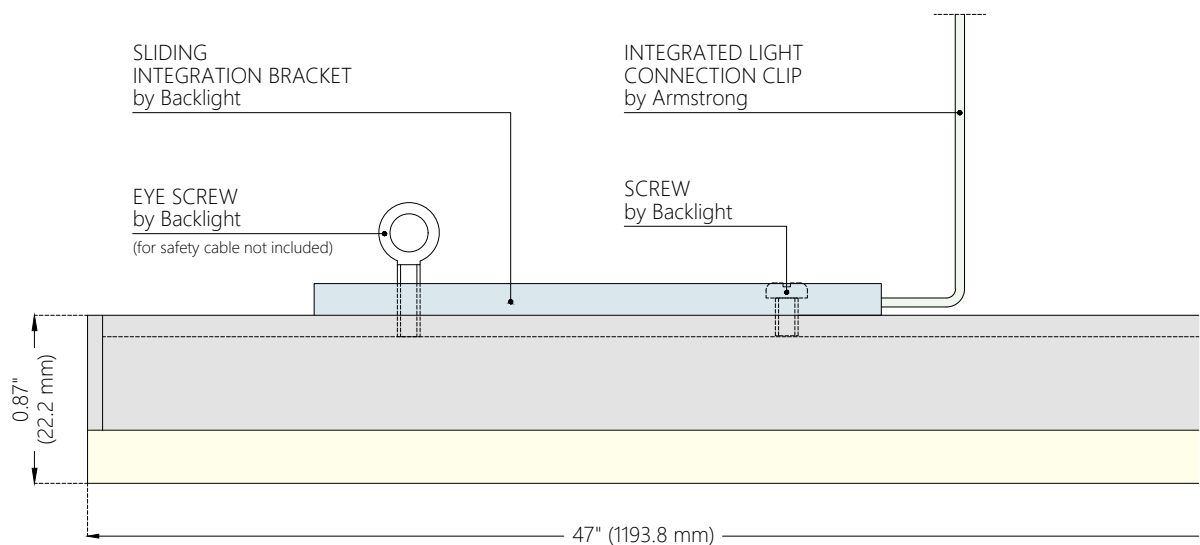
WoodWorks® Grille Tegular
Coordinating Panel Items: 663112 - 663012

CHIARO

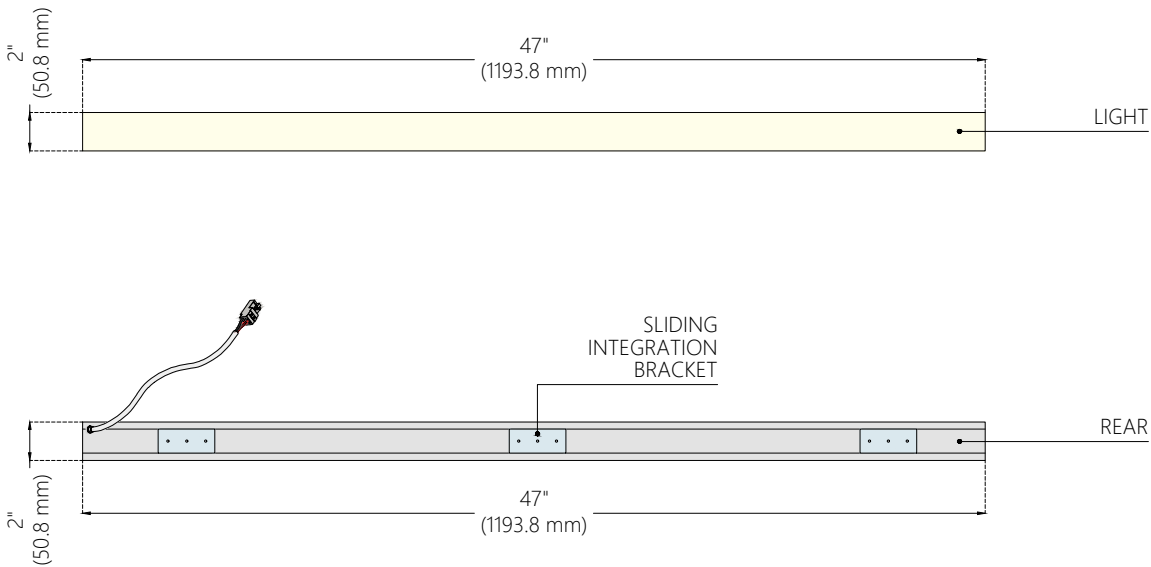
CROSS SECTION



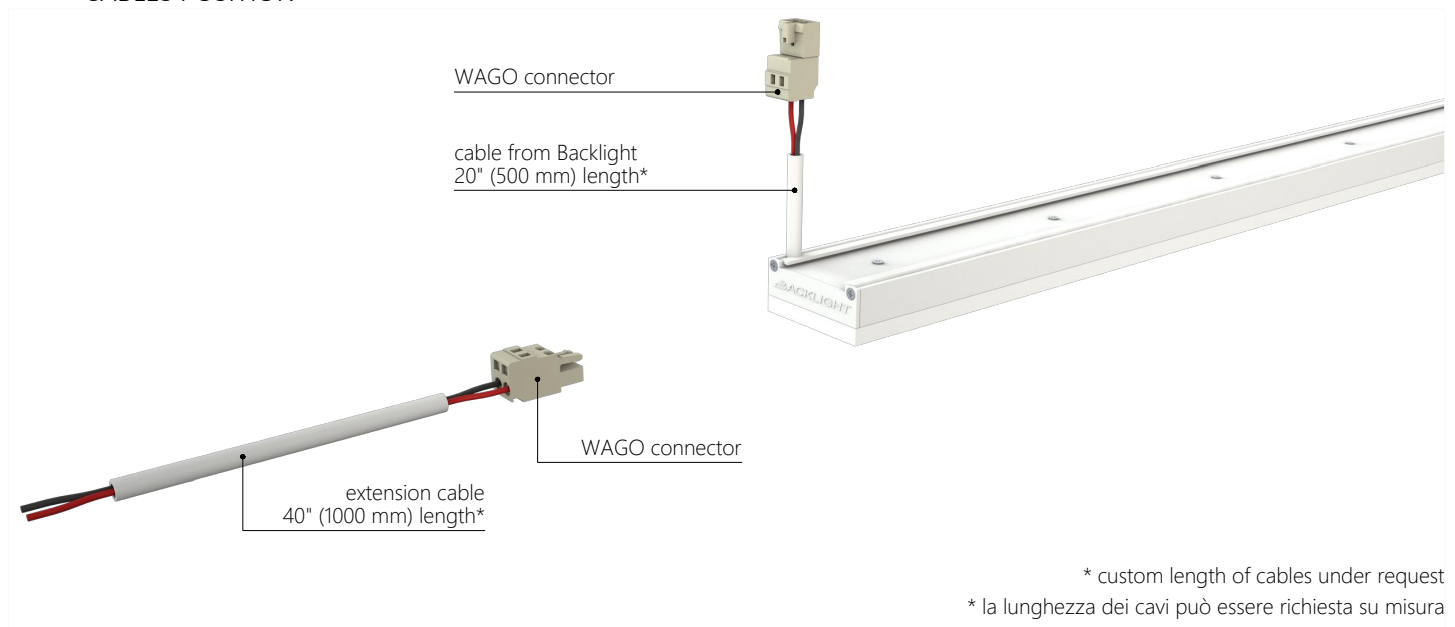
LONGITUDINAL SECTION



LIGHTING VIEW / REAR SIDE



CABLES POSITION



* custom length of cables under request
 * la lunghezza dei cavi può essere richiesta su misura

Coordinating WoodWorks® Panel Item	Cod. CHIARO lamp	Watt	Lumen del	Nominal K (see page 78)	Qty of Sliding Integration Brackets by Backlight	Integrated Light Connection Clip (Qty) - by Armstrong	Driver	Instructions
663112	BKL UL 00 1793	17 W	1082 lm del	3000 K	3 - each lamp	8171WGTTTC02 (2 - each lamp) 8171WGTMC01* (1 - each lamp)	see page 79	see page 60
663012	BKL UL 00 1793	17 W	1082 lm del	3000 K	3 - each lamp	8171WGTTTC03 (2 - each lamp) 8171WGTMC01* (1 - each lamp)	see page 79	see page 61

* mount on 24" stabilizer bar

CHIARO 3.25" x 47"

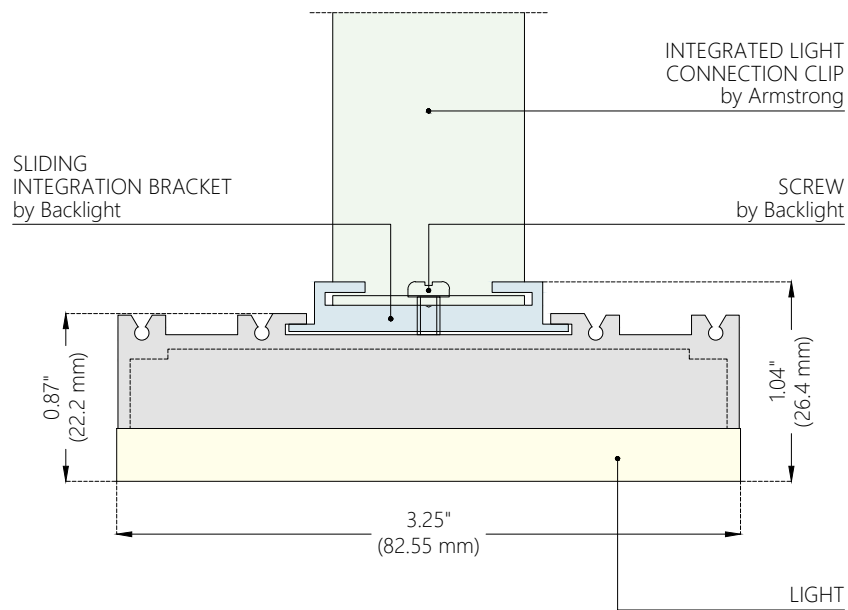
(cod. BKL UL 00 1794)

WoodWorks® Grille Tegular

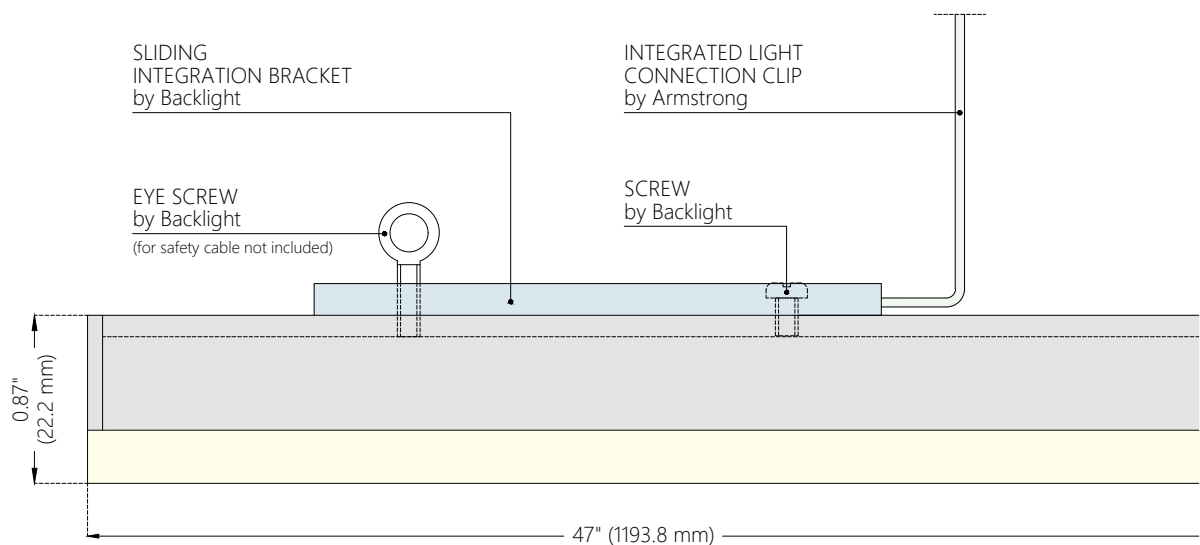
Coordinating Panel Items: 663112 - 663012

CHIARO

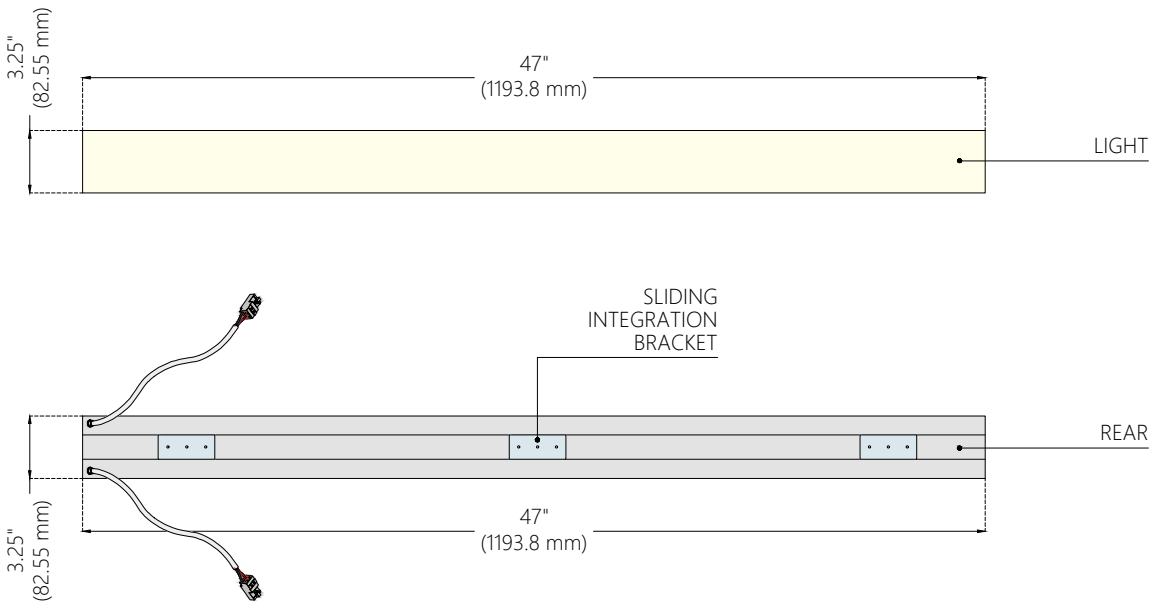
CROSS SECTION



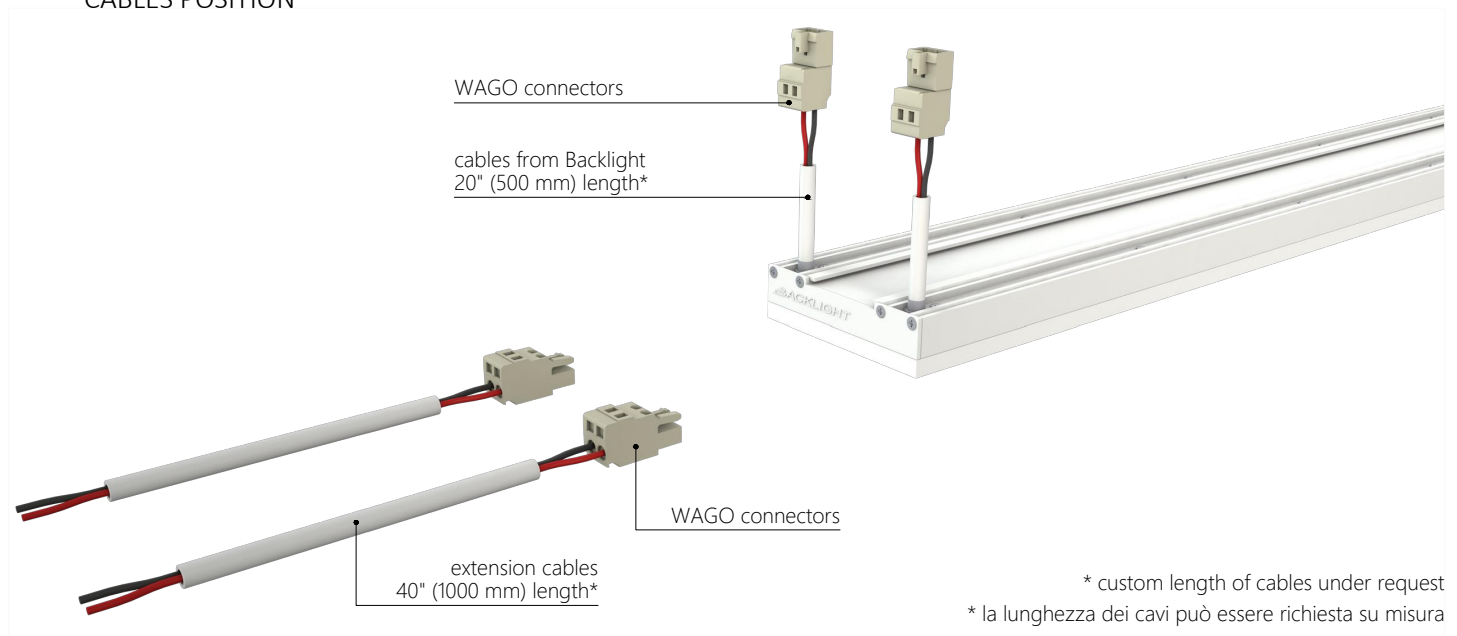
LONGITUDINAL SECTION



LIGHTING VIEW / REAR SIDE



CABLES POSITION



Coordinating WoodWorks® Panel Item	Cod. CHIARO lamp	Watt	Lumen del	Nominal K (see page 78)	Qty of Sliding Integration Brackets by Backlight	Integrated Light Connection Clip (Qty) - by Armstrong	Driver	Instructions
663112	BKL UL 00 1794	34 W	2163 lm del	3000 K	3 - each lamp	8171WGTTTC02 (2 - each lamp) 8171WGTMC01* (1 - each lamp)	see page 79	see page 60
663012	BKL UL 00 1794	34 W	2163 lm del	3000 K	3 - each lamp	8171WGTTTC03 (2 - each lamp) 8171WGTMC01* (1 - each lamp)	see page 79	see page 61

* mount on 24" stabilizer bar

CHIARO 5.25" x 47"

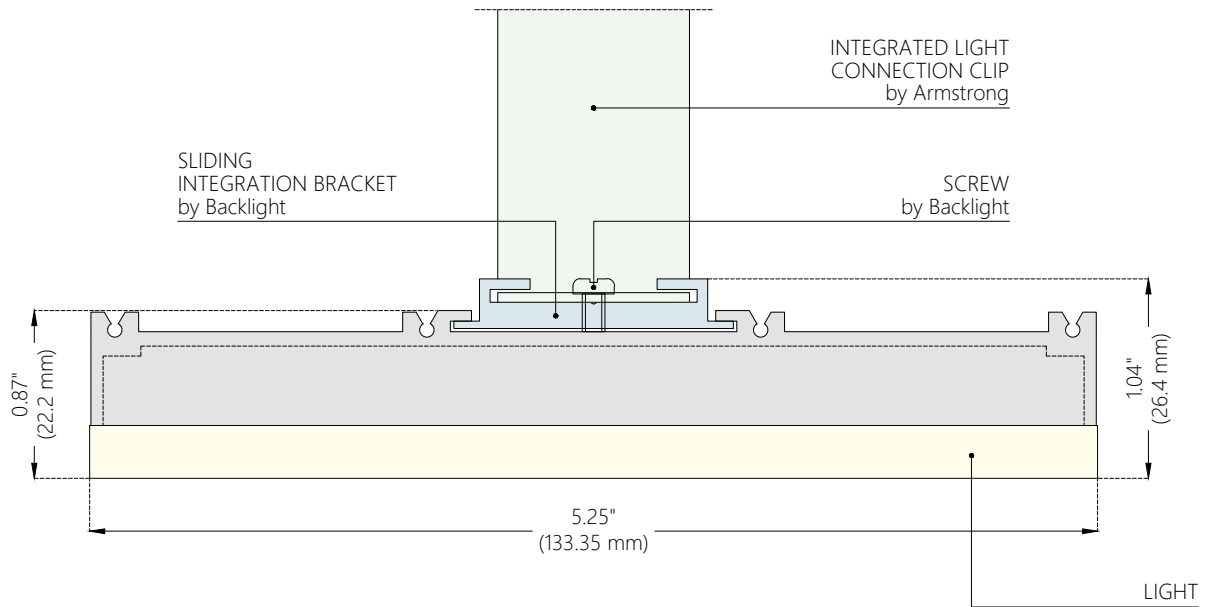
(cod. BKL UL 00 1795)

WoodWorks® Grille Tegular

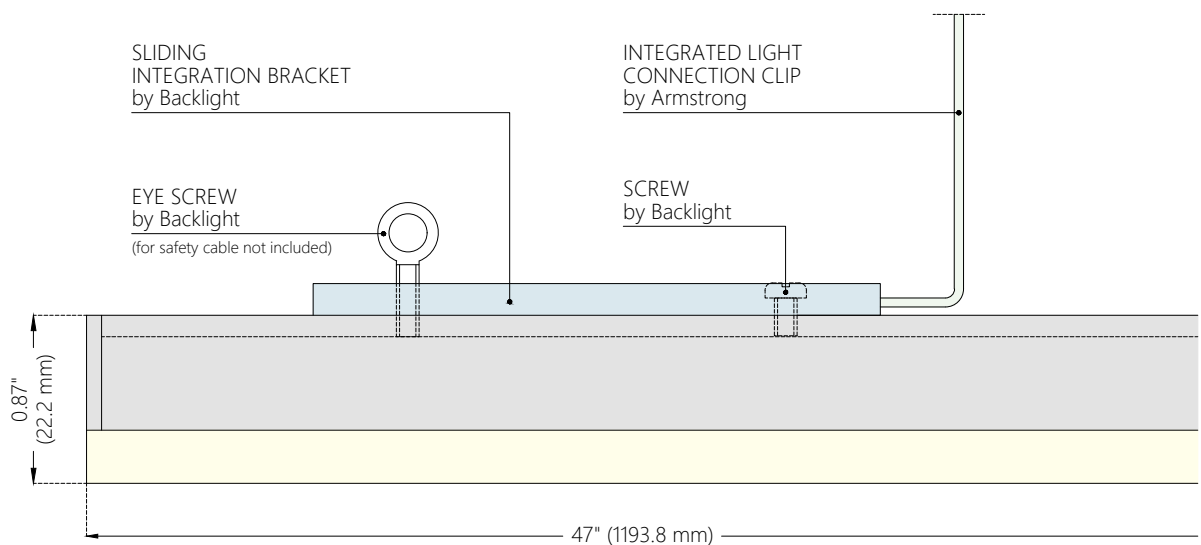
Coordinating Panel Items: 663112 - 663012

CHIARO

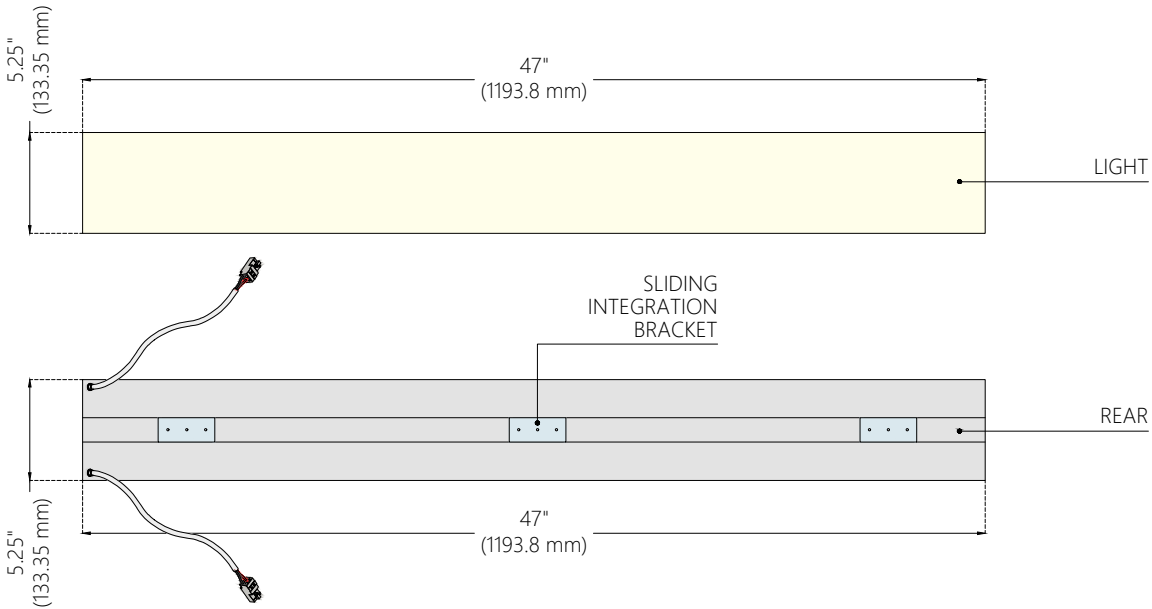
CROSS SECTION



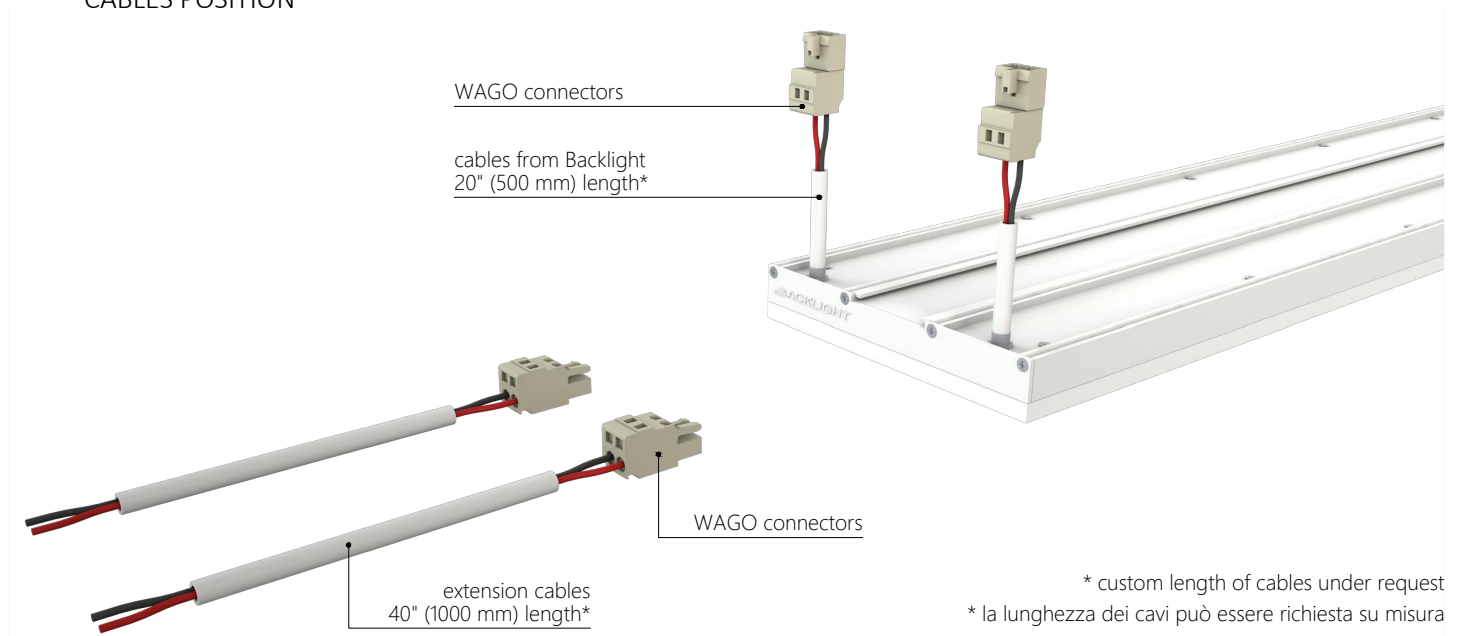
LONGITUDINAL SECTION



LIGHTING VIEW / REAR SIDE



CABLES POSITION

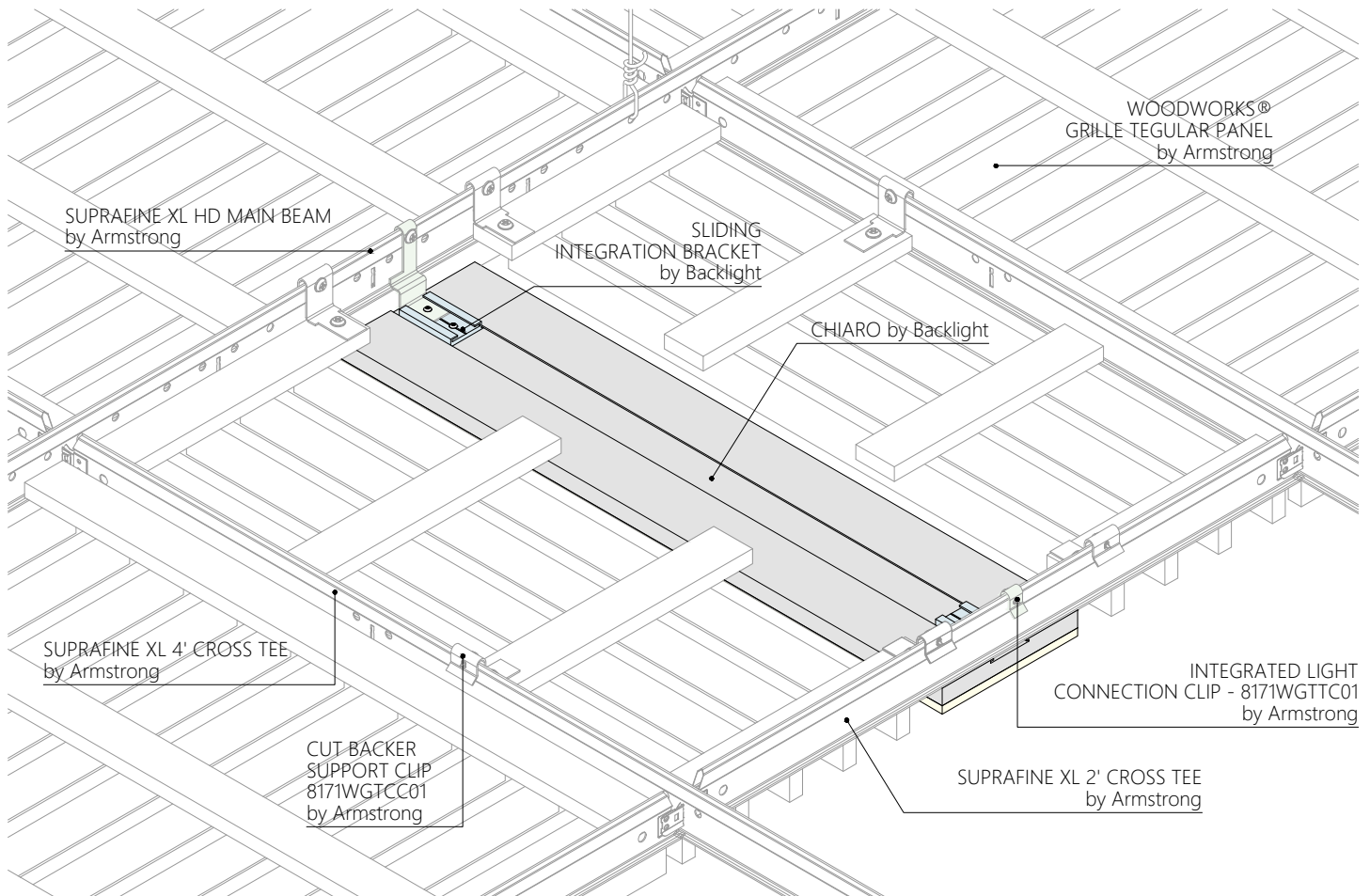


Coordinating WoodWorks® Panel Item	Cod. CHIARO lamp	Watt	Lumen del	Nominal K (see page 78)	Qty of Sliding Integration Brackets by Backlight	Integrated Light Connection Clip (Qty) - by Armstrong	Driver	Instructions
663112	BKL UL 00 1795	34 W	2163 lm del	3000 K	3 - each lamp	8171WGTTTC02 (2 - each lamp) 8171WGTMC01* (1 - each lamp)	see page 79	see page 60
663012	BKL UL 00 1795	34 W	2163 lm del	3000 K	3 - each lamp	8171WGTTTC03 (2 - each lamp) 8171WGTMC01* (1 - each lamp)	see page 79	see page 61

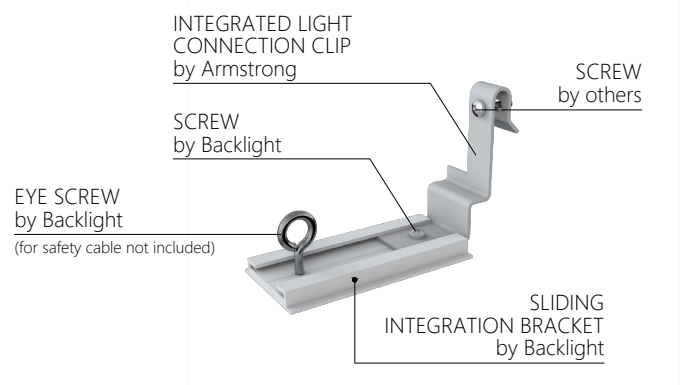
* mount on 24" stabilizer bar

INSTALLATION DETAILS by Armstrong® Ceiling Solutions

Coordinating Panel Items: 662912

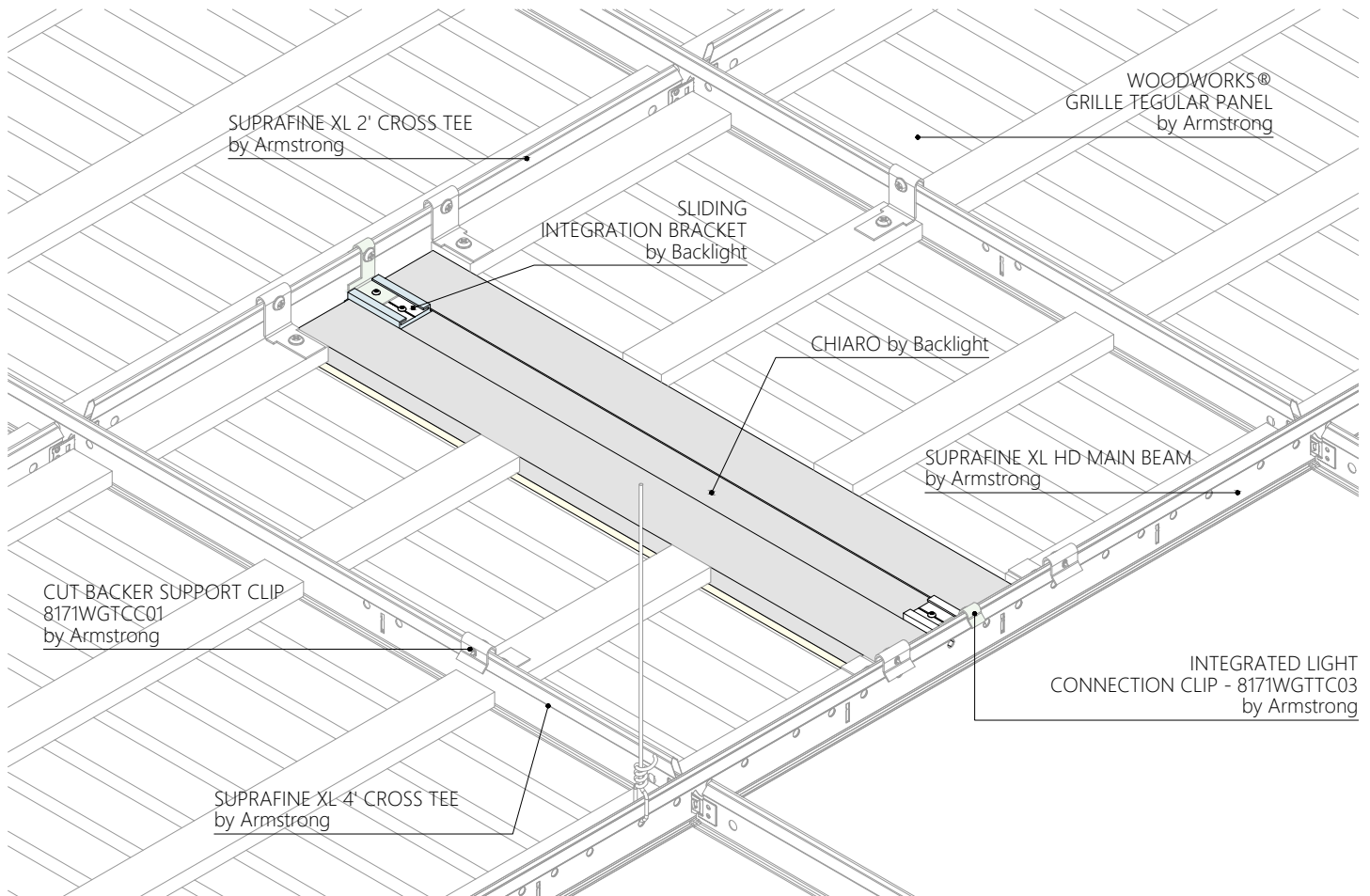


CHIARO Dimension	Cod. CHIARO lamp	Panel Field Modification Required
2" x 23.375"	BKL UL 00 1784	Remove 1 slat
3.25" x 23.375"	BKL UL 00 1785	Remove 2 slats
5.25" x 23.375"	BKL UL 00 1786	Remove 3 slats

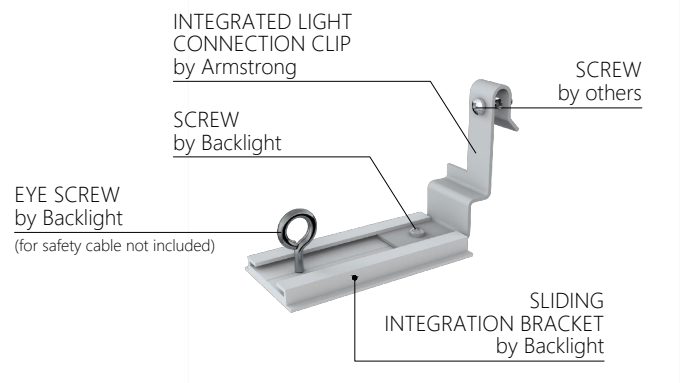


INSTALLATION DETAILS by Armstrong® Ceiling Solutions

Coordinating Panel Items: 662808

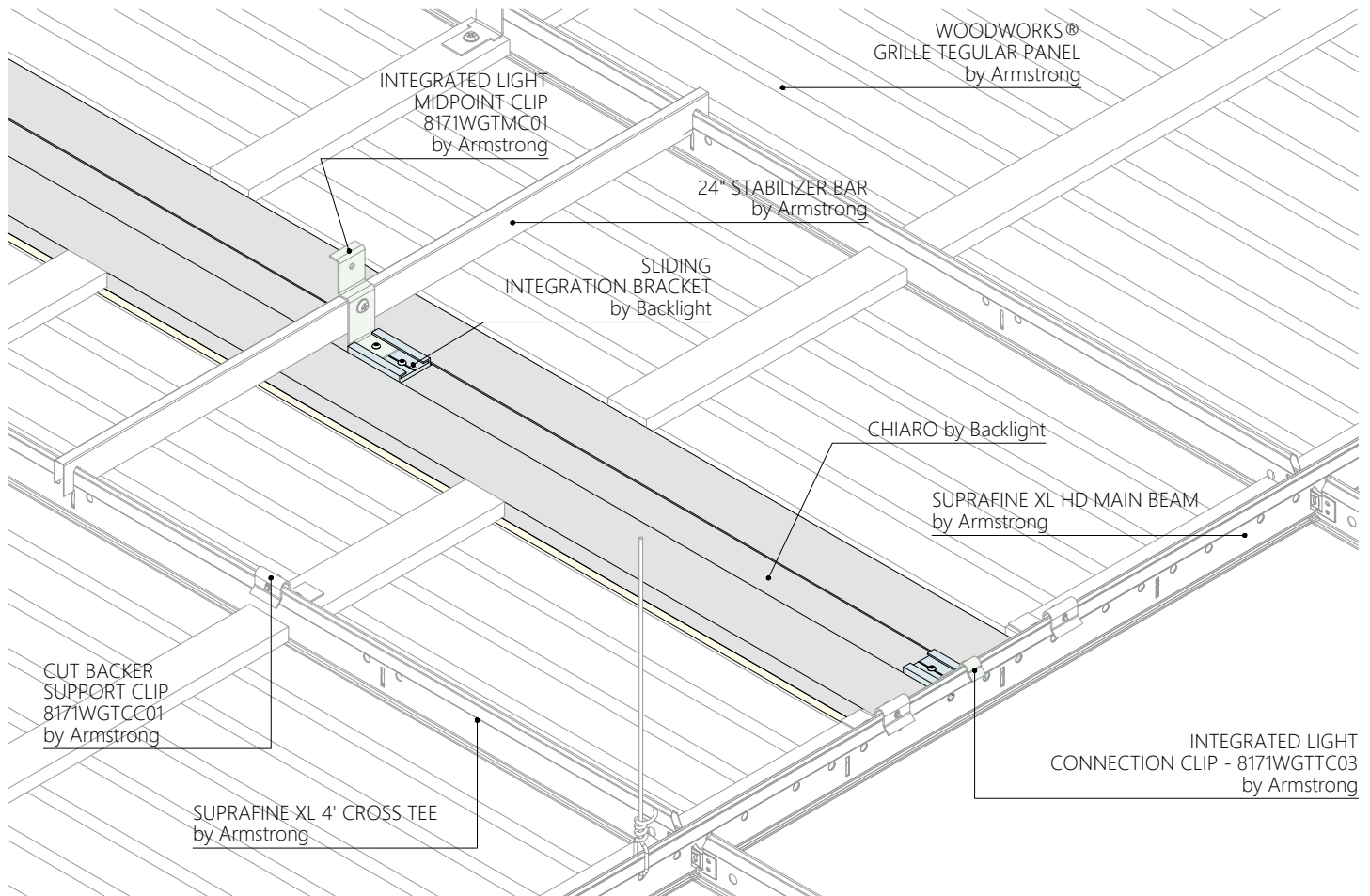


CHIARO Dimension	Cod. CHIARO lamp	Panel Field Modification Required
3.25" x 23.375"	BKL UL 00 1785	Remove 2 slats
5.25" x 23.375"	BKL UL 00 1786	Remove 3 slats

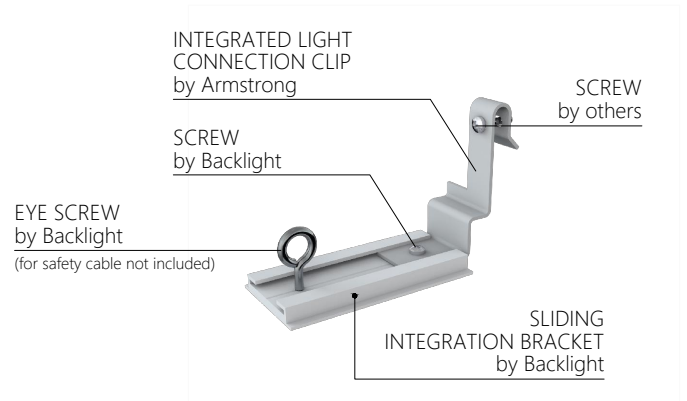


INSTALLATION DETAILS by Armstrong® Ceiling Solutions

Coordinating Panel Items: 663008

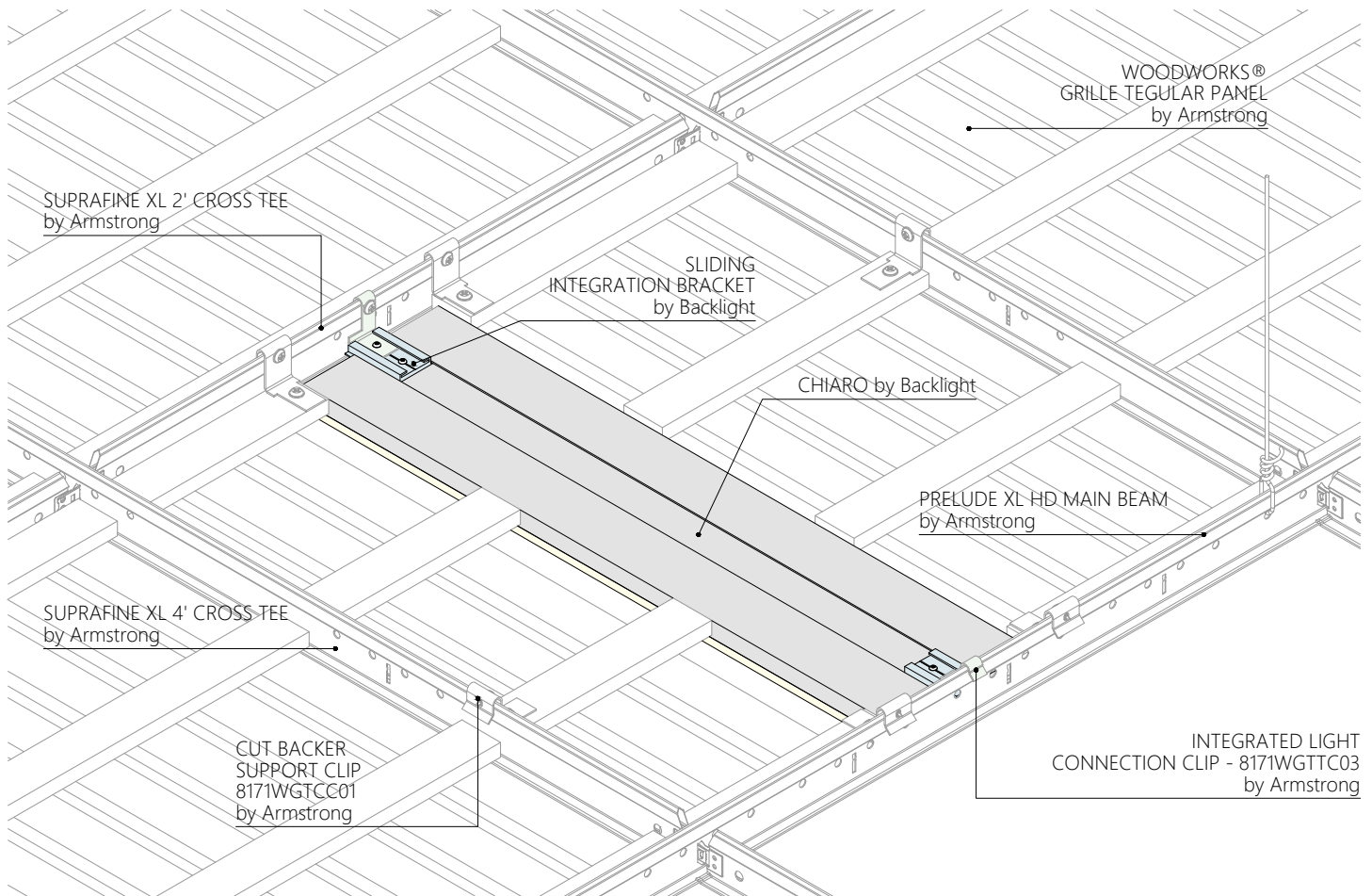


CHIARO Dimension	Cod. CHIARO lamp	Panel Field Modification Required
3.25" x 47.375"	BKL UL 00 1788	Remove 2 slats
5.25" x 47.375"	BKL UL 00 1789	Remove 3 slats

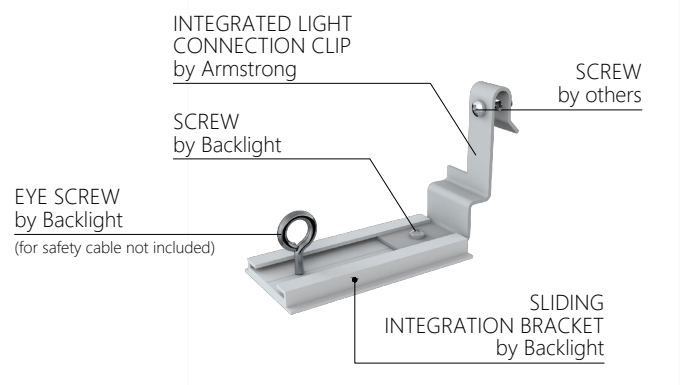


INSTALLATION DETAILS by Armstrong® Ceiling Solutions

Coordinating Panel Items: 662812

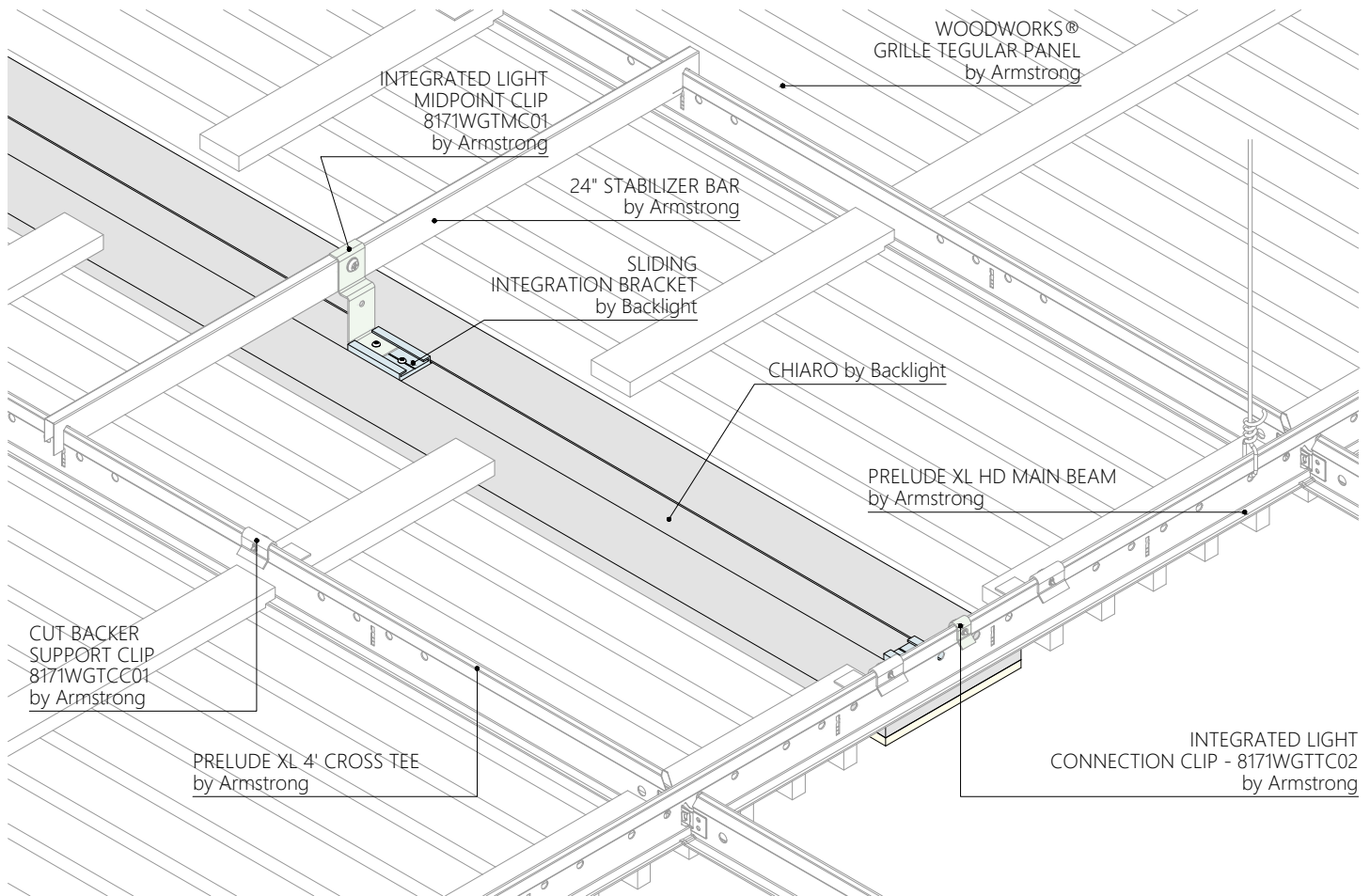


CHIARO Dimension	Cod. CHIARO lamp	Panel Field Modification Required
2" x 23"	BKL UL 00 1790	Remove 1 slat
3.25" x 23"	BKL UL 00 1791	Remove 2 slats
5.25" x 23"	BKL UL 00 1792	Remove 3 slats

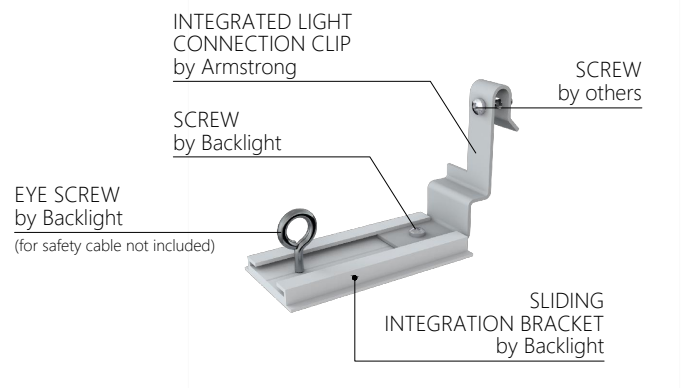


INSTALLATION DETAILS by Armstrong® Ceiling Solutions

Coordinating Panel Items: 663112

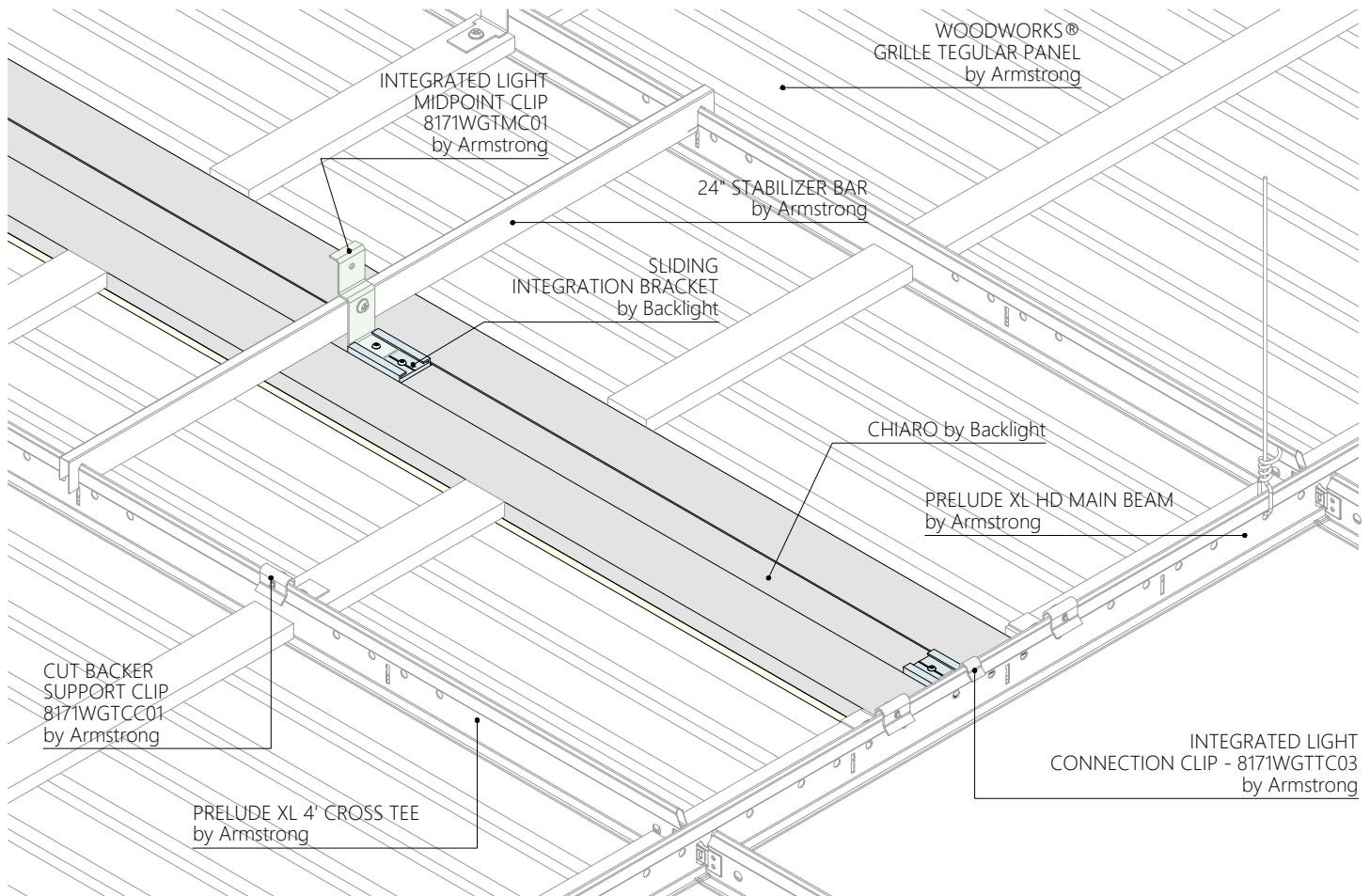


CHIARO Dimension	Cod. CHIARO lamp	Panel Field Modification Required
2" x 47"	BKL UL 00 1793	Remove 1 slat
3.25" x 47"	BKL UL 00 1794	Remove 2 slats
5.25" x 47"	BKL UL 00 1795	Remove 3 slats

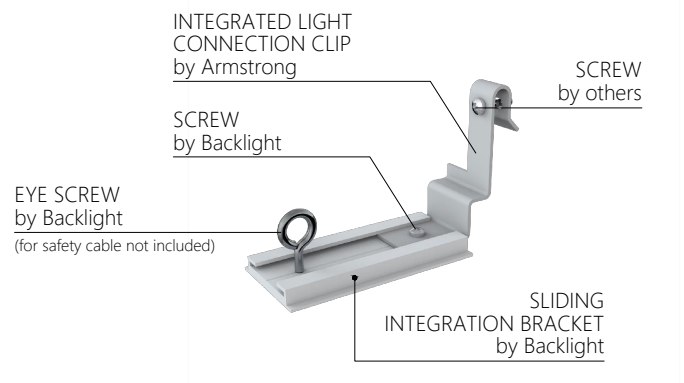


INSTALLATION DETAILS by Armstrong® Ceiling Solutions

Coordinating Panel Items: 663012

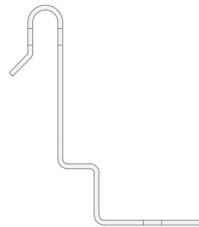


CHIARO Dimension	Cod. CHIARO lamp	Panel Field Modification Required
2" x 47"	BKL UL 00 1793	Remove 1 slat
3.25" x 47"	BKL UL 00 1794	Remove 2 slats
5.25" x 47"	BKL UL 00 1795	Remove 3 slats

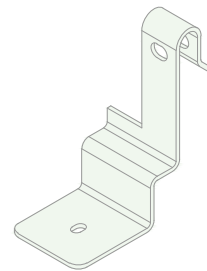


INTEGRATED LIGHT CONNECTION CLIP For additional details visit Armstrong website: armstrongceilings.com/linearlighting

8171WGTTTC01
by Armstrong

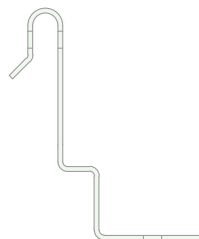


Side View

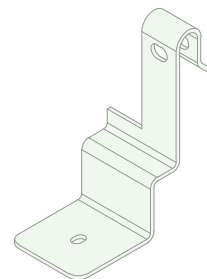


Isometric View

8171WGTTTC02
by Armstrong



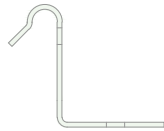
Side View



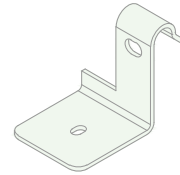
Isometric View

INTEGRATED LIGHT CONNECTION CLIP For additional details visit Armstrong website: armstrongceilings.com/linearlighting

8171WGTTTC03
by Armstrong

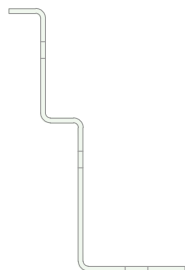


Side View

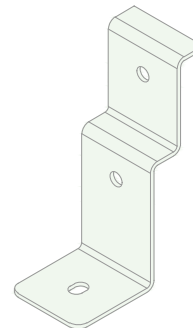


Isometric View

8171WGTMCO1 (mount on 24" stabilizer bar)
by Armstrong



Side View



Isometric View

HOW TO ORDER

WoodWorks® Grille Tegular Coordinating Panel Item 662912

CHIARO Dimension	Cod. CHIARO lamp	Watt	Lumen del	Nominal K (see page 78)	Qty of Sliding Integration Brackets by Backlight	Integrated Light Connection Clip (Qty) - by Armstrong	Driver	Instructions
2" x 23.375"	BKL UL 00 1784	9 W	573 lm del	3000 K	2 - each lamp	8171WGTTTC01 (2 - each lamp)	see page 79	see page 56
3.25" x 23.375"	BKL UL 00 1785	17 W	1082 lm del	3000 K	2 - each lamp	8171WGTTTC01 (2 - each lamp)	see page 79	see page 56
5.25" x 23.375"	BKL UL 00 1786	17 W	1082 lm del	3000 K	2 - each lamp	8171WGTTTC01 (2 - each lamp)	see page 79	see page 56

WoodWorks® Grille Tegular Coordinating Panel Item 662808

CHIARO Dimension	Cod. CHIARO lamp	Watt	Lumen del	Nominal K (see page 78)	Qty of Sliding Integration Brackets by Backlight	Integrated Light Connection Clip (Qty) - by Armstrong	Driver	Instructions
3.25" x 23.375"	BKL UL 00 1785	17 W	1082 lm del	3000 K	2 - each lamp	8171WGTTTC03 (2 - each lamp)	see page 79	see page 57
5.25" x 23.375"	BKL UL 00 1786	17 W	1082 lm del	3000 K	2 - each lamp	8171WGTTTC03 (2 - each lamp)	see page 79	see page 57

WoodWorks® Grille Tegular Coordinating Panel Item 663008

CHIARO Dimension	Cod. CHIARO lamp	Watt	Lumen del	Nominal K (see page 78)	Qty of Sliding Integration Brackets by Backlight	Integrated Light Connection Clip (Qty) - by Armstrong	Driver	Instructions
3.25" x 47.375"	BKL UL 00 1788	34 W	2163 lm del	3000 K	3 - each lamp	8171WGTTTC03 (2 - each lamp) 8171WGTMC01* (1 - each lamp)	see page 79	see page 58
5.25" x 47.375"	BKL UL 00 1789	34 W	2163 lm del	3000 K	3 - each lamp	8171WGTTTC03 (2 - each lamp) 8171WGTMC01* (1 - each lamp)	see page 79	see page 58

* mount on 24" stabilizer bar

FOR INFO AND ORDERS CONTACT US AT chiaro.armstrong@backlightsrl.com

HOW TO ORDER

WoodWorks® Grille Tegular Coordinating Panel Item 662812

CHIARO Dimension	Cod. CHIARO lamp	Watt	Lumen del	Nominal K (see page 78)	Qty of Sliding Integration Brackets by Backlight	Integrated Light Connection Clip (Qty) - by Armstrong	Driver	Instructions
2" x 23"	BKL UL 00 1790	9 W	573 lm del	3000 K	2 - each lamp	8171WGTTTC03 (2 - each lamp)	see page 79	see page 59
3.25" x 23"	BKL UL 00 1791	17 W	1082 lm del	3000 K	2 - each lamp	8171WGTTTC03 (2 - each lamp)	see page 79	see page 59
5.25" x 23"	BKL UL 00 1792	17 W	1082 lm del	3000 K	2 - each lamp	8171WGTTTC03 (2 - each lamp)	see page 79	see page 59

WoodWorks® Grille Tegular Coordinating Panel Item 663112

CHIARO Dimension	Cod. CHIARO lamp	Watt	Lumen del	Nominal K (see page 78)	Qty of Sliding Integration Brackets by Backlight	Integrated Light Connection Clip (Qty) - by Armstrong	Driver	Instructions
2" x 47"	BKL UL 00 1793	17 W	1082 lm del	3000 K	3 - each lamp	8171WGTTTC02 (2 - each lamp) 8171WGTMC01* (1 - each lamp)	see page 79	see page 60
3.25" x 47"	BKL UL 00 1794	34 W	2163 lm del	3000 K	3 - each lamp	8171WGTTTC02 (2 - each lamp) 8171WGTMC01* (1 - each lamp)	see page 79	see page 60
5.25" x 47"	BKL UL 00 1795	34 W	2163 lm del	3000 K	3 - each lamp	8171WGTTTC02 (2 - each lamp) 8171WGTMC01* (1 - each lamp)	see page 79	see page 60

* mount on 24" stabilizer bar

WoodWorks® Grille Tegular Coordinating Panel Item 663012

CHIARO Dimension	Cod. CHIARO lamp	Watt	Lumen del	Nominal K (see page 78)	Qty of Sliding Integration Brackets by Backlight	Integrated Light Connection Clip (Qty) - by Armstrong	Driver	Instructions
2" x 47"	BKL UL 00 1793	17 W	1082 lm del	3000 K	3 - each lamp	8171WGTTTC03 (2 - each lamp) 8171WGTMC01* (1 - each lamp)	see page 79	see page 61
3.25" x 47"	BKL UL 00 1794	34 W	2163 lm del	3000 K	3 - each lamp	8171WGTTTC03 (2 - each lamp) 8171WGTMC01* (1 - each lamp)	see page 79	see page 61
5.25" x 47"	BKL UL 00 1795	34 W	2163 lm del	3000 K	3 - each lamp	8171WGTTTC03 (2 - each lamp) 8171WGTMC01* (1 - each lamp)	see page 79	see page 61

* mount on 24" stabilizer bar

FOR INFO AND ORDERS CONTACT US AT chiaro.armstrong@backlightsrl.com

CHIARO

CHIARO



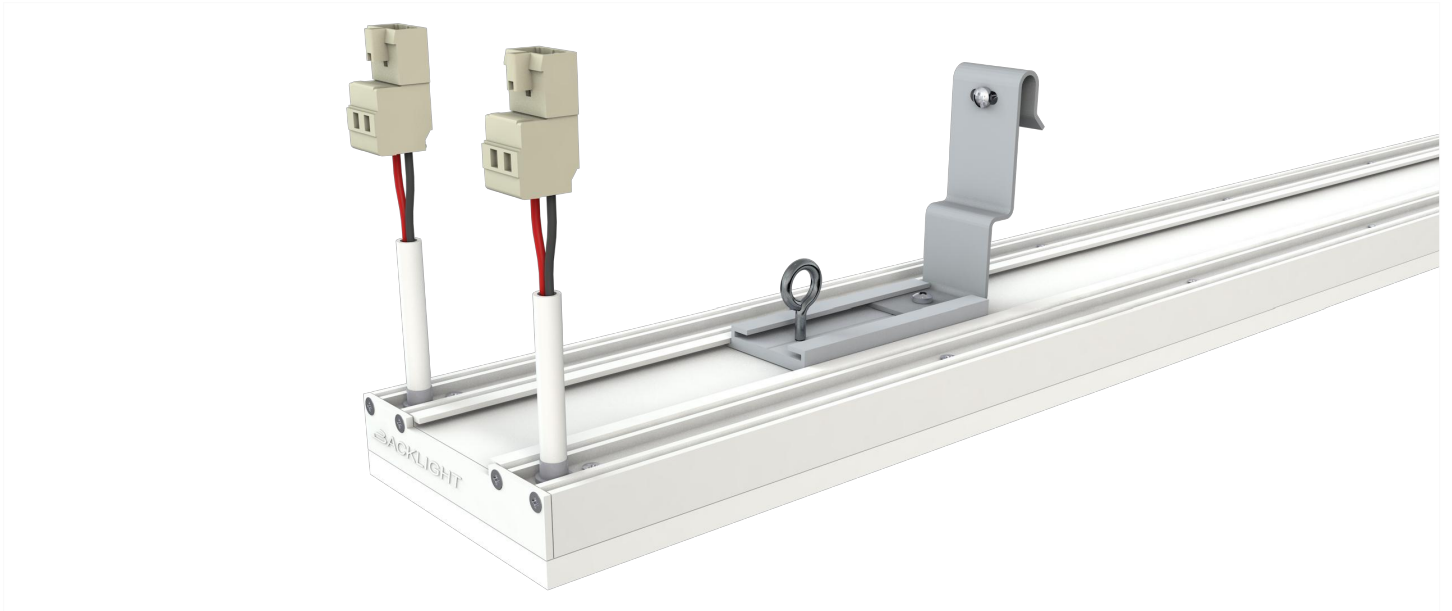
WoodWorks® Linear Veneered panels in Maple with 5-1/4" x 95" linear light fixture
(Coordinating WoodWorks Panel Items: 6690W1 and 6691W1)

Backlight CHIARO for WoodWorks® Linear Veneered Panels

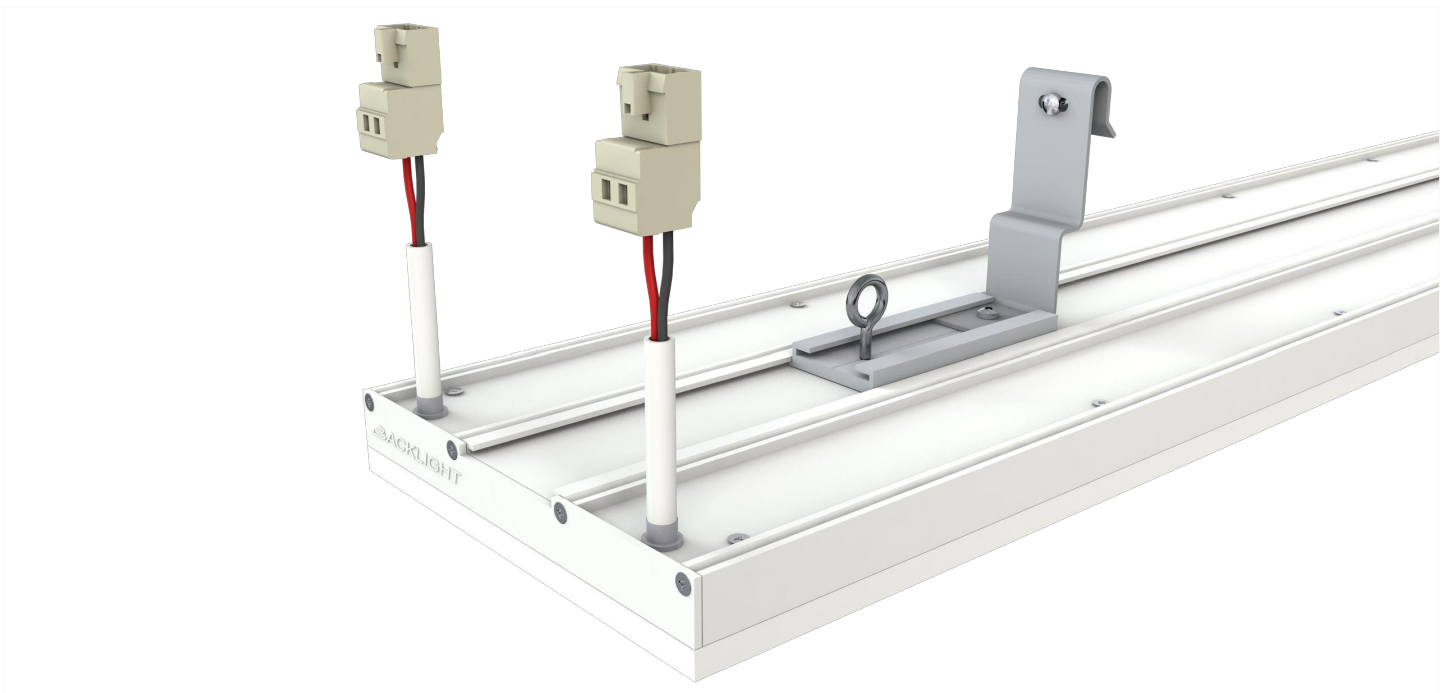
Coordinating Panel Items: 6690W1 and 6691W1

- 68 CHIARO MODELS
- 69 TECHNICAL SPECS
- 70 CHIARO model 3.25" x 95.25" (cod. BKL UL 00 1796)
- 72 CHIARO model 5.25" x 95.75" (cod. BKL UL 00 1799)
- 74 INSTALLATION DETAILS by Armstrong® Ceiling Solutions
- 77 HOW TO ORDER

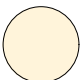





3.25" x 95.25" (cod. BKL UL 00 1796)



5.25" x 95.75" (cod. BKL UL 00 1799)



GENERAL SPECIFICATION

COLOUR TEMPERATURE	 Nominal 3000 K (and other K under request)
INPUT VOLTAGE	24V DC
DRIVER	AC DC 24V DC OUTPUT (class 2 Power Unit, for more specs see on page 79)
DIMMABILITY	
POWER CONSUMPTION	see individual lamp tables
WEIGHT	5.7 lbs/sq. ft (25 Kg/sq. mt)
IP GRADE	IP40
CRI	> 95 (for more specs see on page 78)
LUMEN DELIVERED	see individual lamp tables
LIFE TIME	70.000 hrs
WARRANTY	3 Years (36 month) from shipping
CERTIFICATIONS	    Storage Area of Clothes Closet <ul style="list-style-type: none"> • Ceiling surface Mounted • Ceiling recessed Type IC Inherently protected • Wall surface Mounted • NEW Storage Area of a Clothes Closet

CHIARO 3.25" x 95.25"

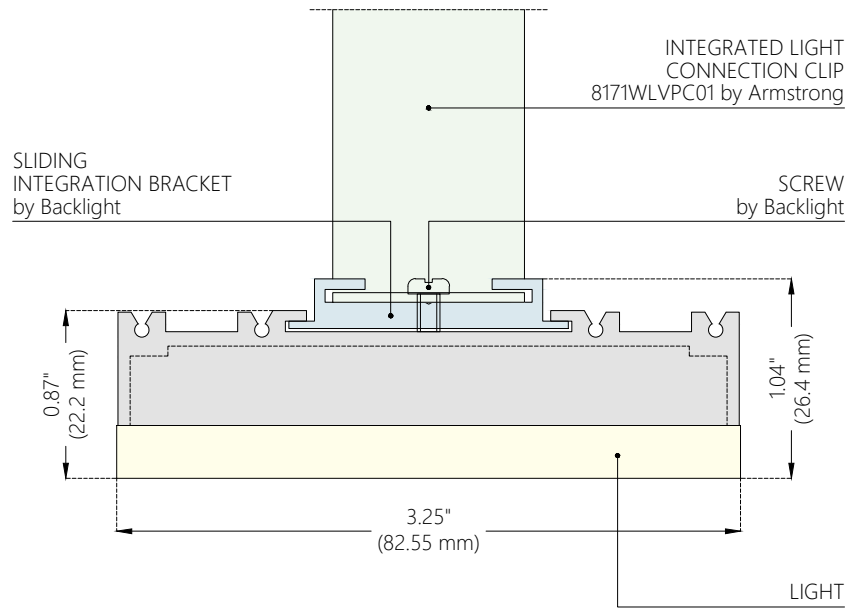
(cod. BKL UL 00 1796)

WoodWorks® Linear Veneered Panels

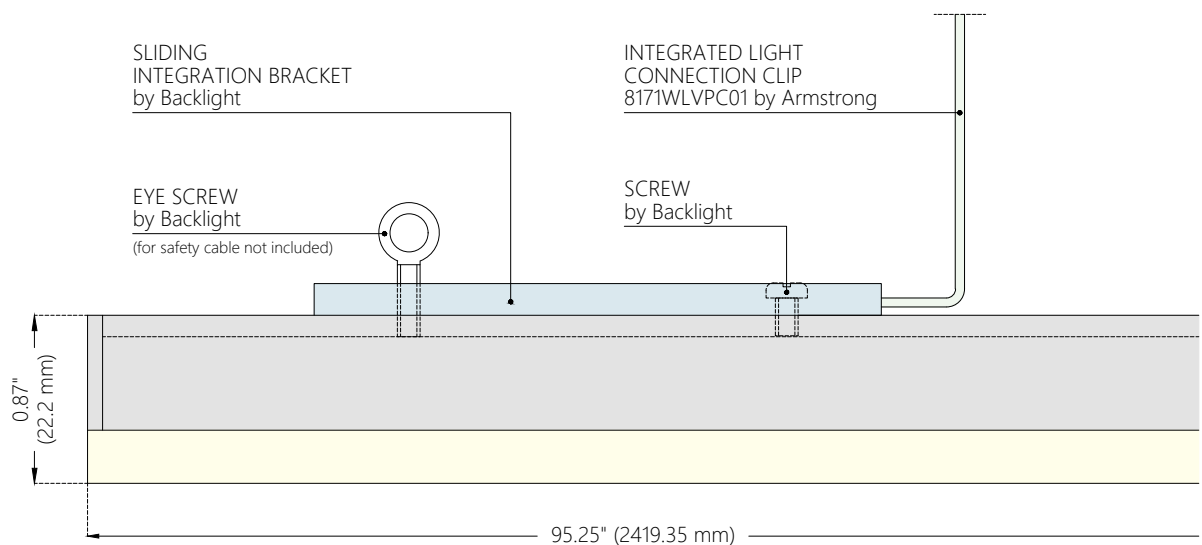
Coordinating Panel Items: 6690W1

CHIARO

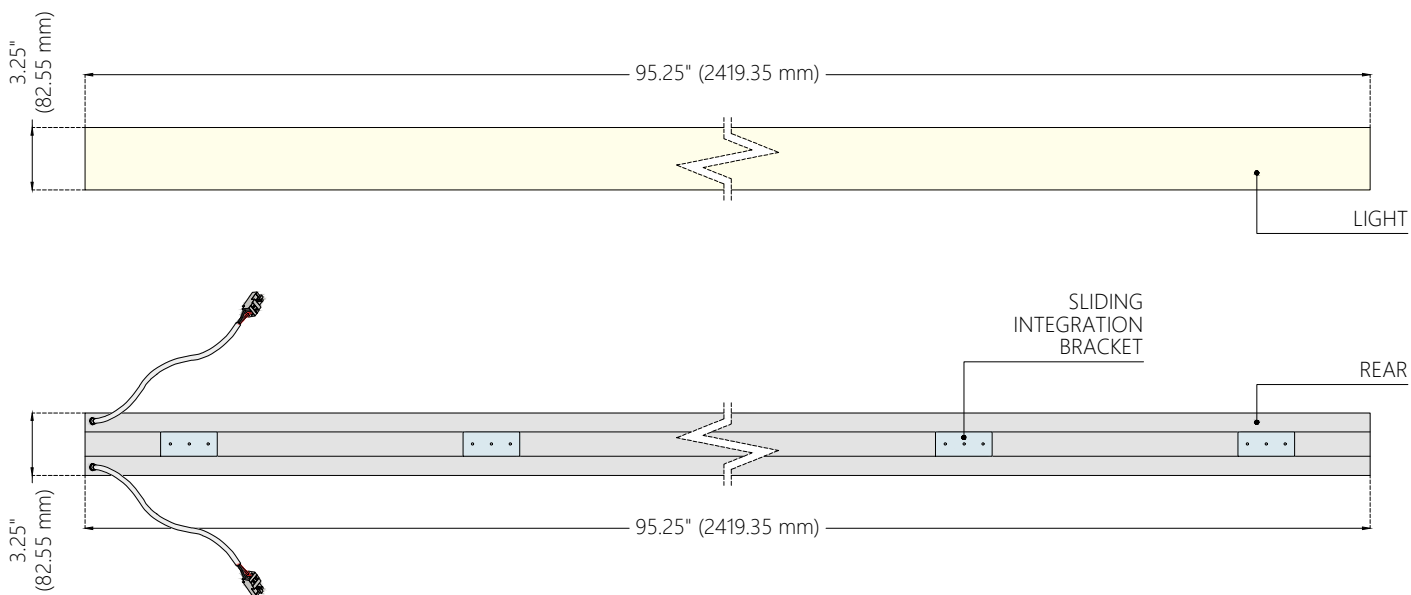
CROSS SECTION



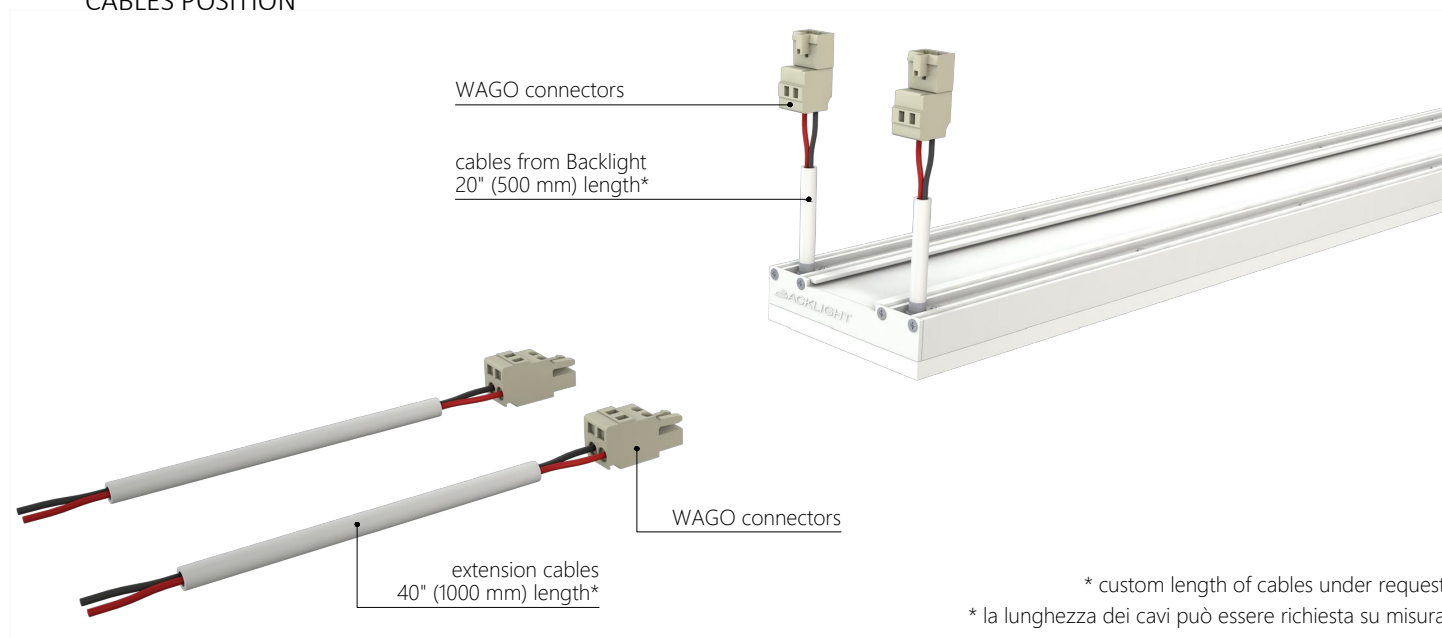
LONGITUDINAL SECTION



LIGHTING VIEW / REAR SIDE



CABLES POSITION



Coordinating WoodWorks® Panel Item	Cod. CHIARO lamp	Watt	Lumen del	Nominal K (see page 78)	Qty of Sliding Integration Brackets by Backlight	Integrated Light Connection Clip (Qty) - by Armstrong	Driver	Instructions
6690W1	BKL UL 00 1796	68 W	4325 lm del	3000 K	4 - each lamp	8171WLVPC01 (4 - each lamp)	see page 79	see page 74

CHIARO 5.25" x 95.75"

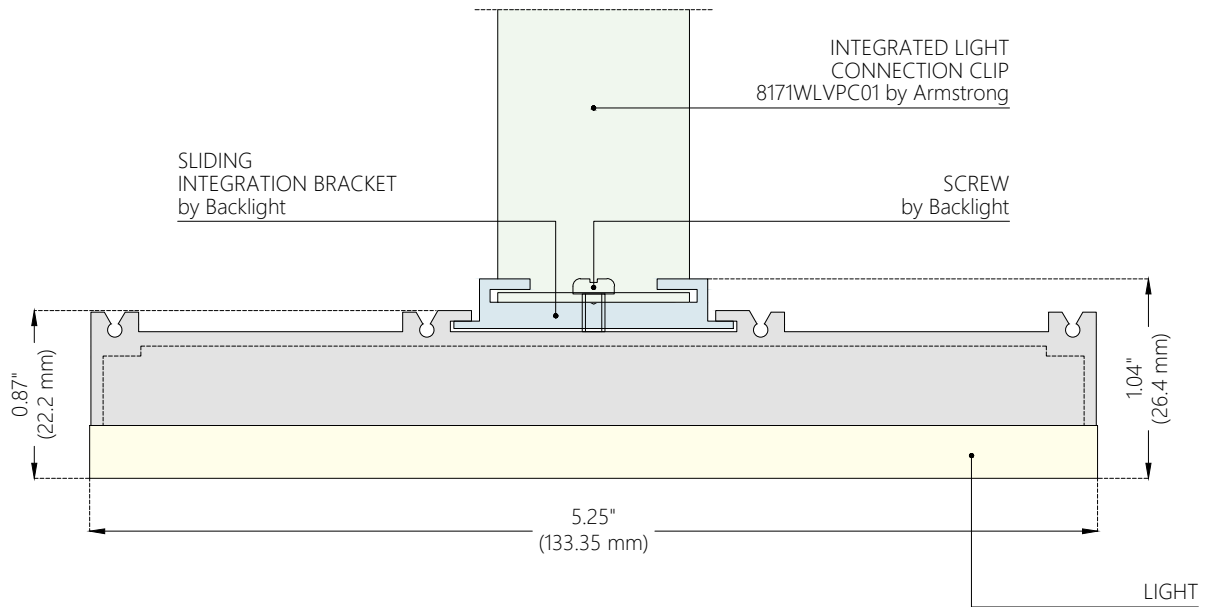
(cod. BKL UL 00 1799)

WoodWorks® Linear Veneered Panels

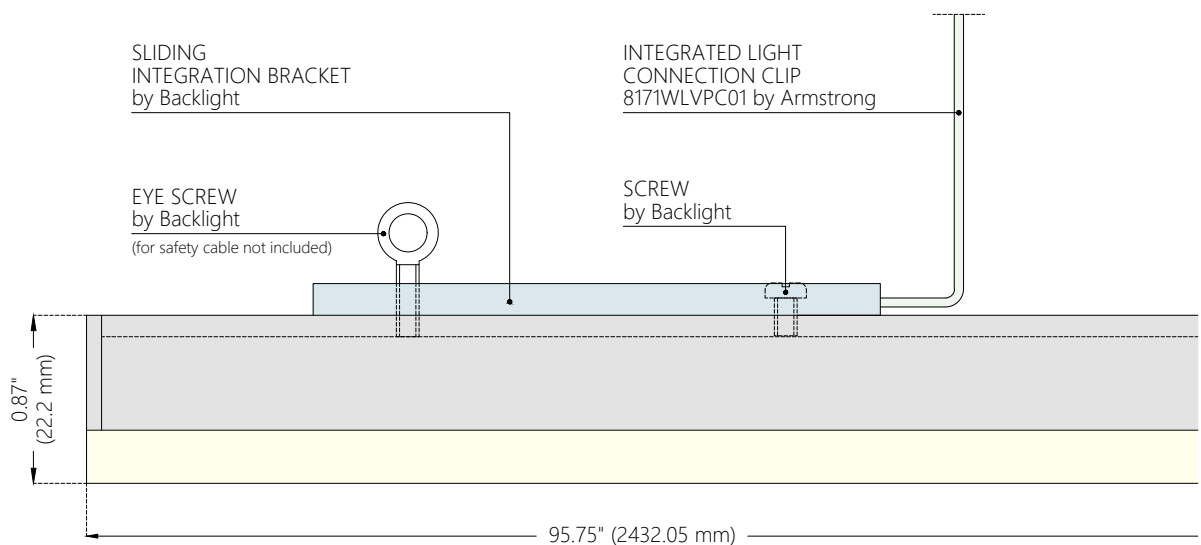
Coordinating Panel Items: 6691W1

CHIARO

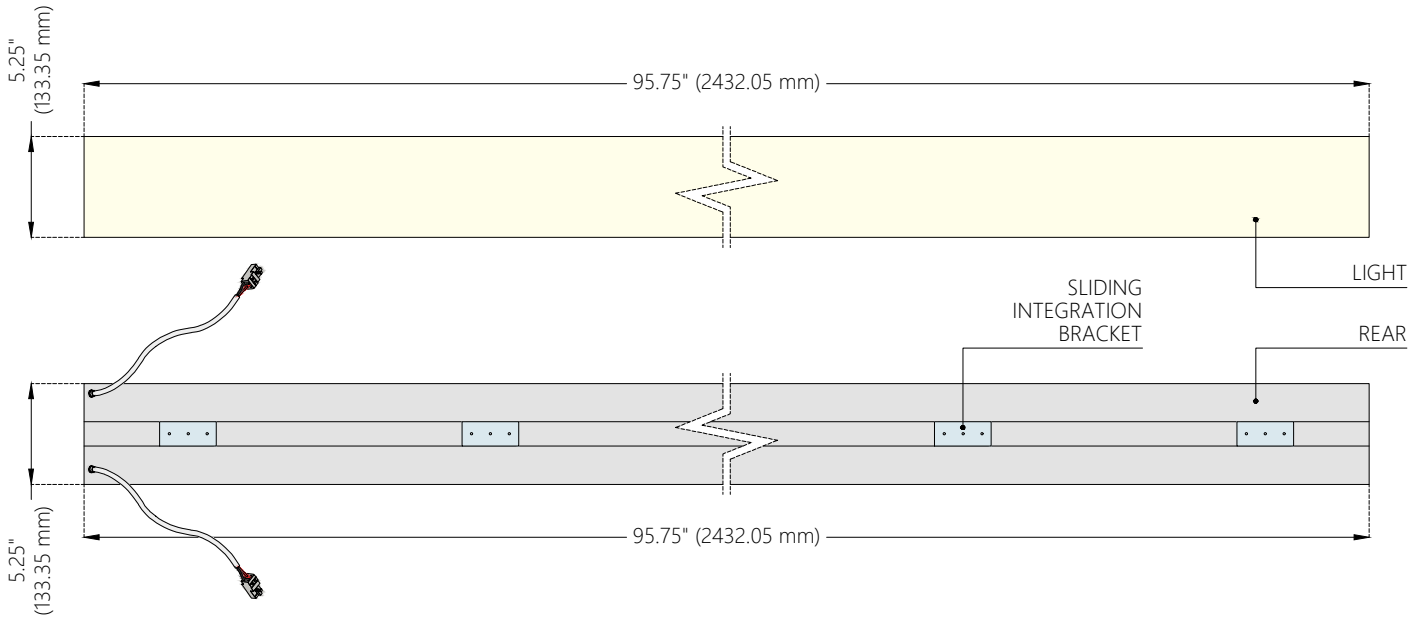
CROSS SECTION



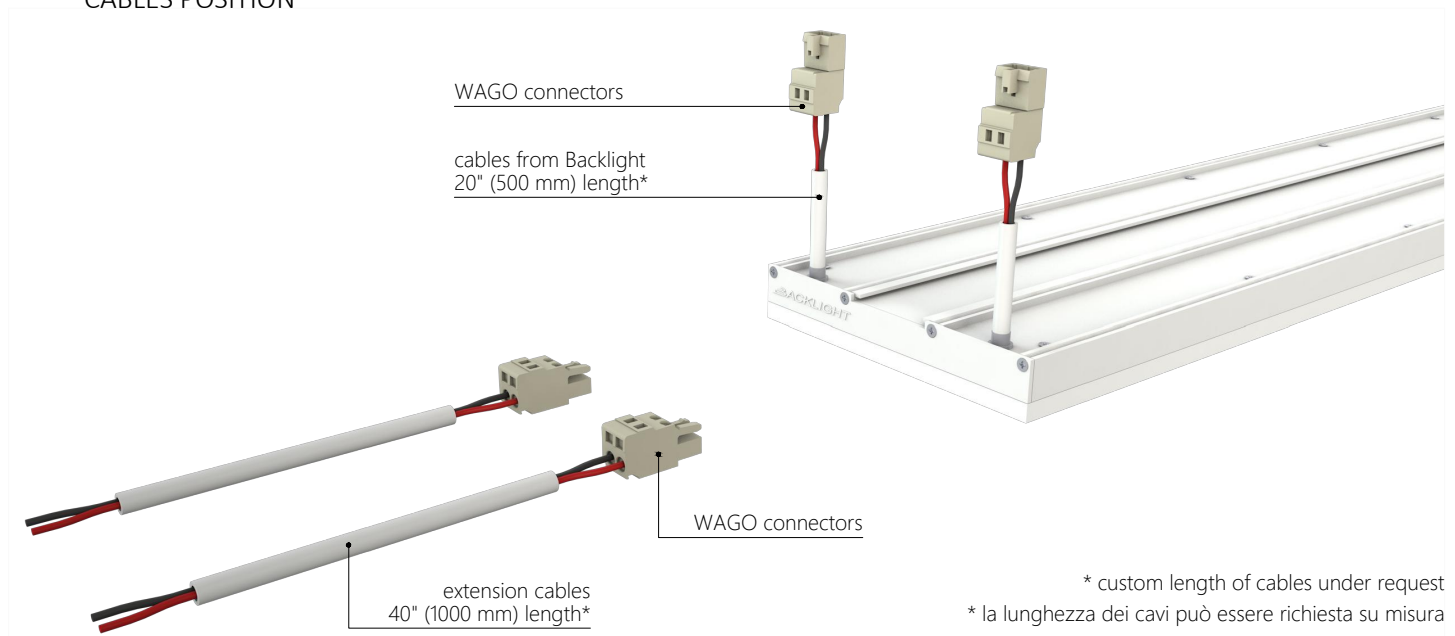
LONGITUDINAL SECTION



LIGHTING VIEW / REAR SIDE

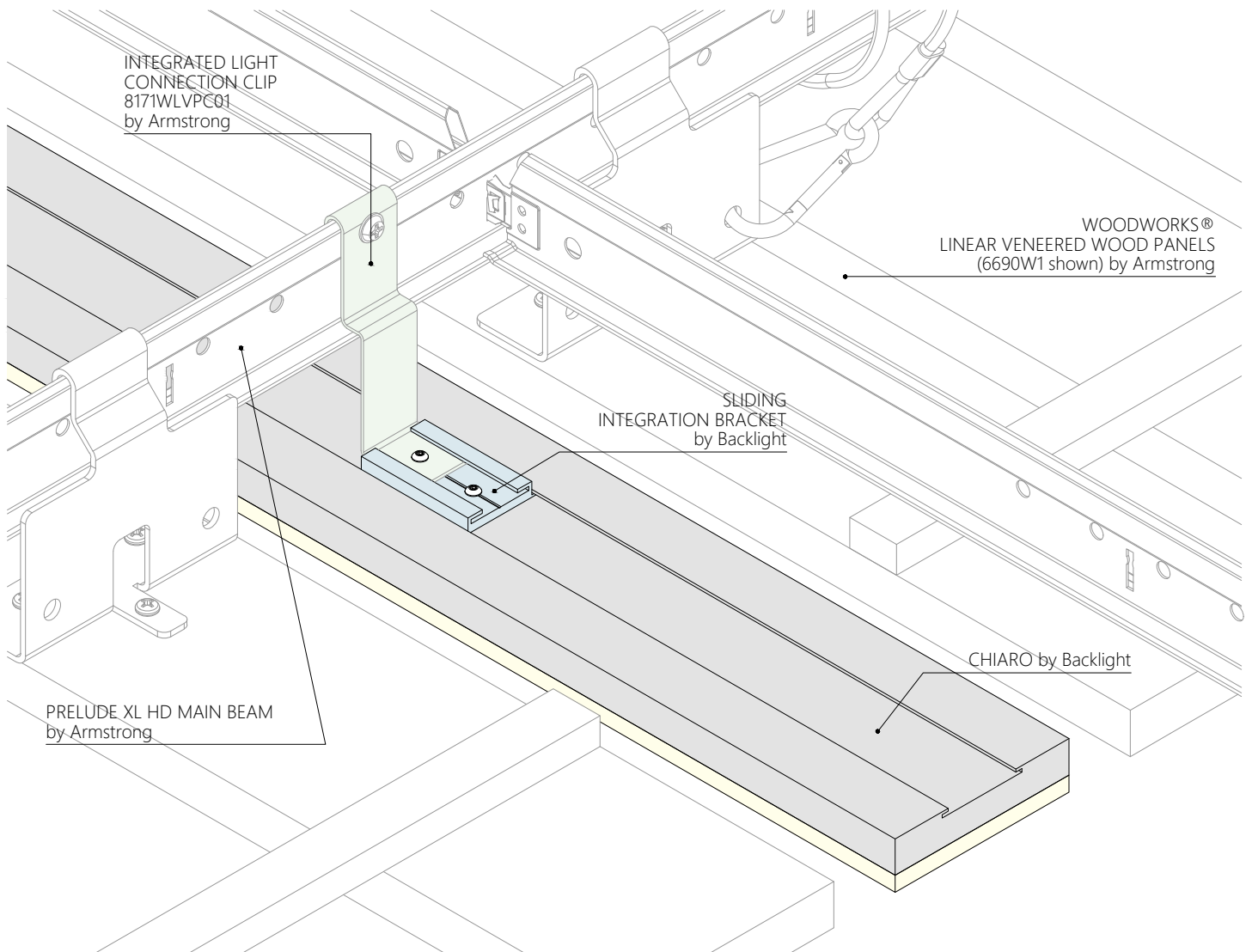


CABLES POSITION

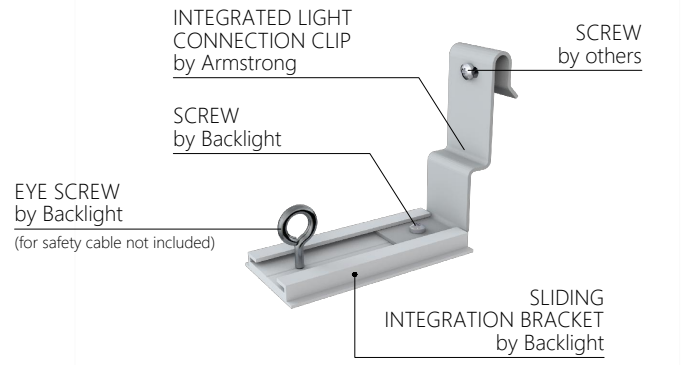


Coordinating WoodWorks® Panel Item	Cod. CHIARO lamp	Watt	Lumen del	Nominal K (see page 78)	Qty of Sliding Integration Brackets by Backlight	Integrated Light Connection Clip (Qty) - by Armstrong	Driver	Instructions
6691W1	BKL UL 00 1799	69 W	4389 lm del	3000 K	4 - each lamp	8171WLVPC01 (4 - each lamp)	see page 79	see page 74

INSTALLATION DETAILS by Armstrong® Ceiling Solutions

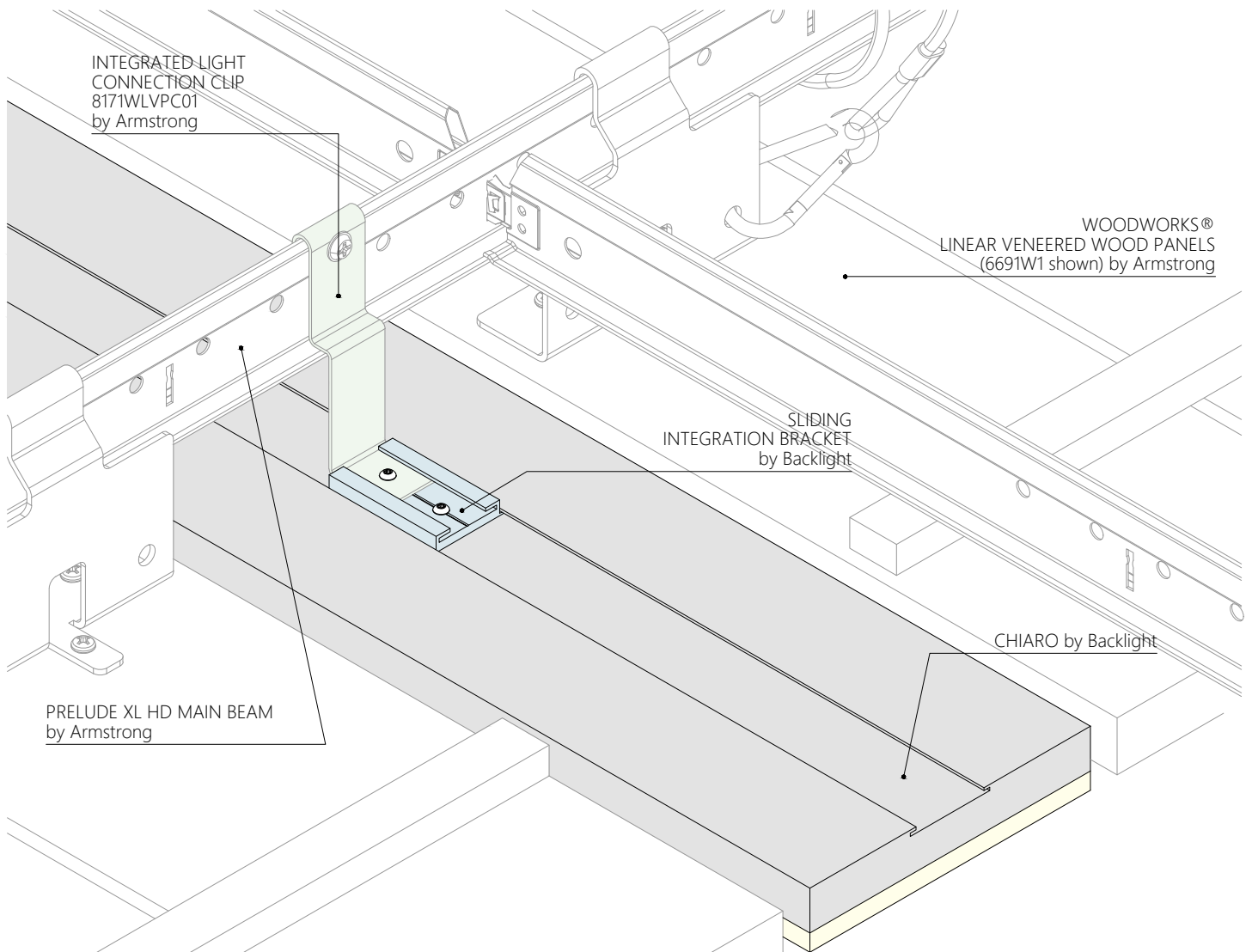


Coordinating WoodWorks® Panel Item	CHIARO Dimension	Cod. CHIARO lamp	Panel Field Modification Required
6690W1	3.25" x 95.25"	BKL UL 00 1796	Remove 1 plank

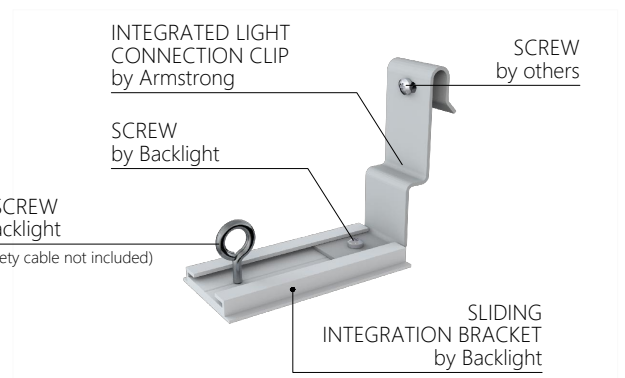


For full WoodWorks® Linear Veneered Panels selection go to www.armstrongceilings.com

INSTALLATION DETAILS by Armstrong® Ceiling Solutions

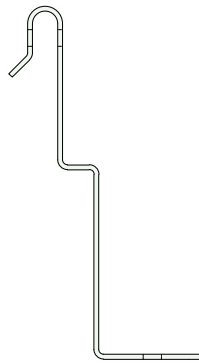


Coordinating WoodWorks® Panel Item	CHIARO Dimension	Cod. CHIARO lamp	Panel Field Modification Required
6691W1	5.25" x 95.75"	BKL UL 00 1799	Remove 1 plank

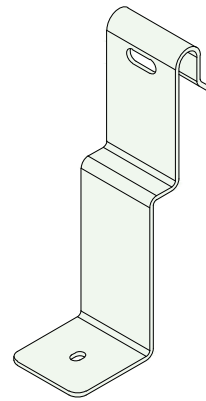


INTEGRATED LIGHT CONNECTION CLIP For additional details visit Armstrong website: armstrongceilings.com/linearlighting

8171WLVPC01
by Armstrong



Side View



Isometric View

HOW TO ORDER

WoodWorks® Linear Veneered Panels Coordinating Panel Item 6690W1

CHIARO Dimension	Cod. CHIARO lamp	Watt	Lumen del	Nominal K (see page 78)	Qty of Sliding Integration Brackets by Backlight	Integrated Light Connection Clip (Qty) - by Armstrong	Driver	Instructions
3.25" x 95.25"	BKL UL 00 1796	68 W	4325 lm del	3000 K	4 - each lamp	8171WLVPC01 (4 - each lamp)	see page 79	see page 74

WoodWorks® Linear Veneered Panels Coordinating Panel Item 6691W1

CHIARO Dimension	Cod. CHIARO lamp	Watt	Lumen del	Nominal K (see page 78)	Qty of Sliding Integration Brackets by Backlight	Integrated Light Connection Clip (Qty) - by Armstrong	Driver	Instructions
5.25" x 95.75"	BKL UL 00 1799	69 W	4389 lm del	3000 K	4 - each lamp	8171WLVPC01 (4 - each lamp)	see page 79	see page 74

FOR INFO AND ORDERS CONTACT US AT chiaro.armstrong@backlightsrl.com

CHIARO

CHIARO

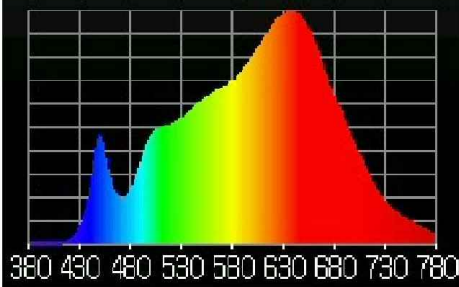
LIGHTING SPECS

BASE

CCT K	3080
CRI	98.5

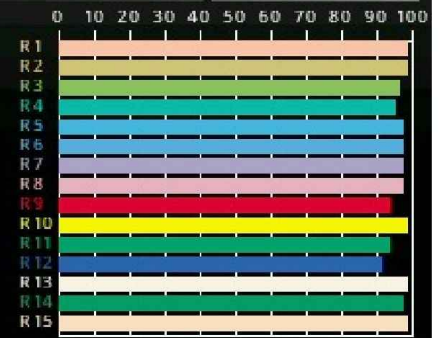
SPETTRO

λ_p nm	636
$\lambda_p V$ mW/m ²	418.00



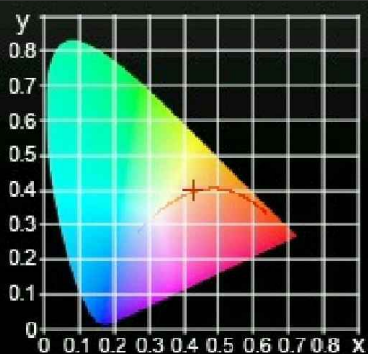
CRI

CRI	98.5
R9	94.8



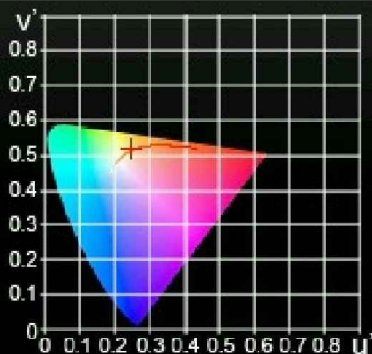
CIE1931

x : 0.4320 y : 0.4035



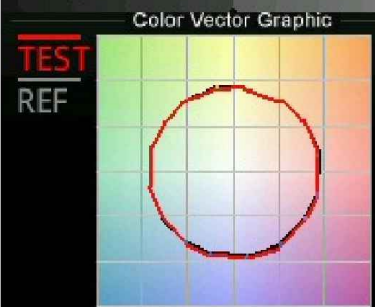
CIE1976

u' : 0.2476 v' : 0.5204



TM-30

Rf	96.2
Rg	101.5



DRIVERS

DRIVER 1-10V / 10V PWM / Resistance

Cod. CHIARO lamp	Watt	LPF-16D-24	LPF-25D-24	LPF-40D-24	LPF-60D-24	LPF-90D-24
BKL UL 00 1781	34 W	-	-	1 lamp	-	2 lamps
BKL UL 00 1782	68 W	-	-	-	-	1 lamp
BKL UL 00 1783	68 W	-	-	-	-	1 lamp
BKL UL 00 1784	9 W	1 lamp	2 lamps	4 lamps	6 lamps	9 lamps
BKL UL 00 1785	17 W	-	1 lamp	2 lamps	3 lamps	4 lamps
BKL UL 00 1786	17 W	-	1 lamp	2 lamps	3 lamps	4 lamps
BKL UL 00 1788	34 W	-	-	1 lamp	-	2 lamps
BKL UL 00 1789	34 W	-	-	1 lamp	-	2 lamps
BKL UL 00 1790	9 W	1 lamp	2 lamps	4 lamps	6 lamps	9 lamps
BKL UL 00 1791	17 W	-	1 lamp	2 lamps	3 lamps	4 lamps
BKL UL 00 1792	17 W	-	1 lamp	2 lamps	3 lamps	4 lamps
BKL UL 00 1793	17 W	-	1 lamp	2 lamps	3 lamps	4 lamps
BKL UL 00 1794	34 W	-	-	1 lamp	-	2 lamps
BKL UL 00 1795	34 W	-	-	1 lamp	-	2 lamps
BKL UL 00 1796	68 W	-	-	-	-	1 lamp
BKL UL 00 1799	69 W	-	-	-	-	1 lamp

For different type of dimming please contact us at chiaro.armstrong@backlightsrl.com

You can find the technical data sheets pasting these links on your browser :

LPF-16D-24 <https://www.meanwell.com/webapp/product/search.aspx?prod=LPF-16D>

LPF-25D-24 <https://www.meanwell.com/webapp/product/search.aspx?prod=LPF-25D>

LPF-40D-24 <https://www.meanwell.com/webapp/product/search.aspx?prod=LPF-40D>

LPF-60D-24 <https://www.meanwell.com/webapp/product/search.aspx?prod=LPF-60D>

LPF-90D-24 <https://www.meanwell.com/webapp/product/search.aspx?prod=LPF-90D>

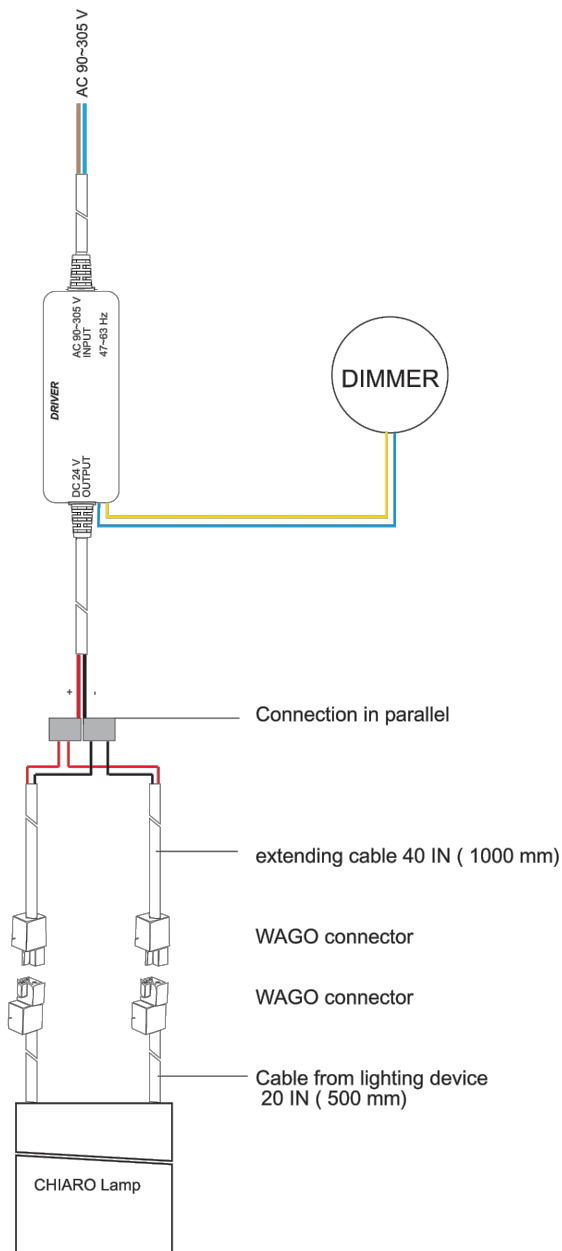
DRIVER REQUIREMENTS

INPUT OF DRIVER	90 -305 VAC
OUTPUT OF DRIVER	24 VDC
WATTAGE OF DRIVER	at least 10% higher then the Lamp or Group of Lamps power consumption example . Lamp consumption 80 W =Driver 90W
DISTANCE BETWEEN DRIVER and LAMP	max 10 meters / 33 ft

ELECTRICAL WIRING

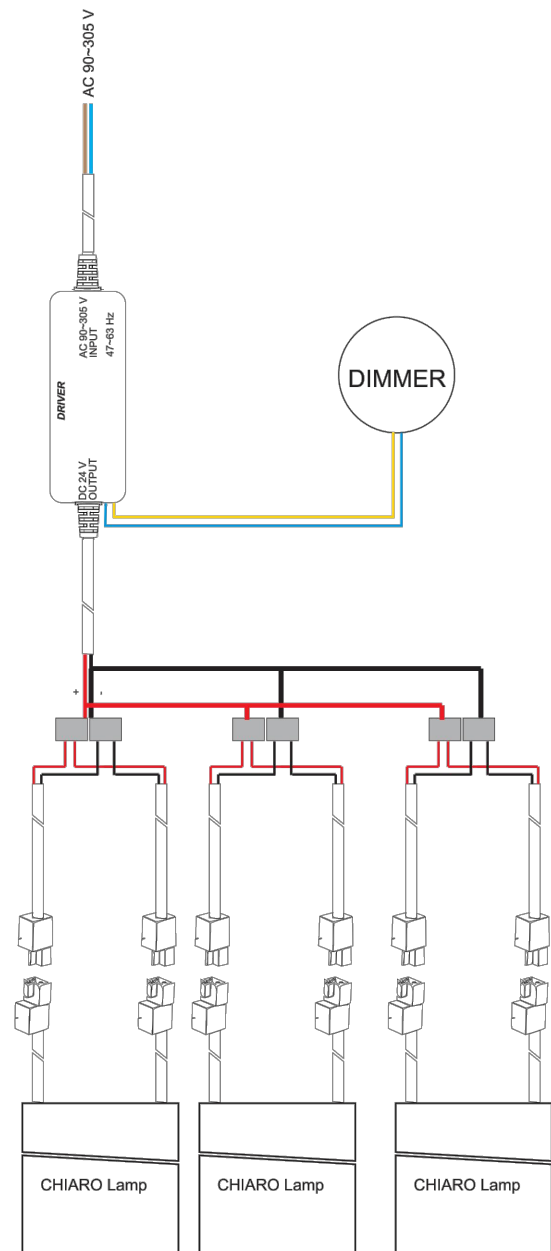
OPTION 1

1 driver for 1 lamp



OPTION 2

1 driver for 1 Group of lamps



ASSEMBLY INSTRUCTIONS

1) Insert the Sliding Integration Brackets in the track on the back of CHIARO lamp



2) Screw the Armstrong® Integrated Light Connection Clips on the Sliding Integration Brackets (for type of clips refer to our technical catalogue)



3) Slide the system manually and screw it on the Armstrong® Prelude suspension



4) Turn the eye/ring screws by hand for a safety lock



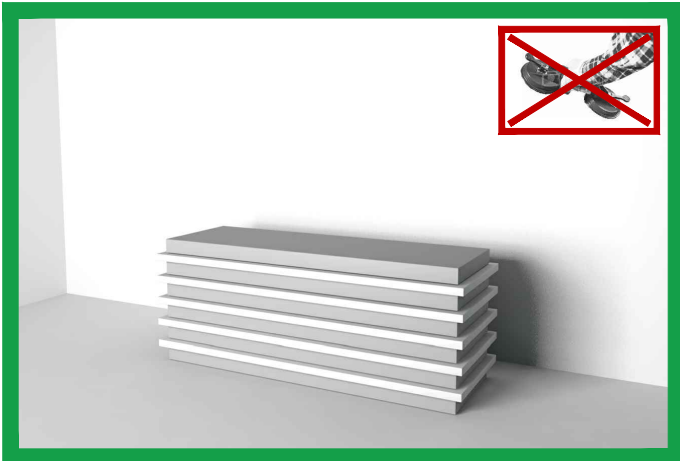
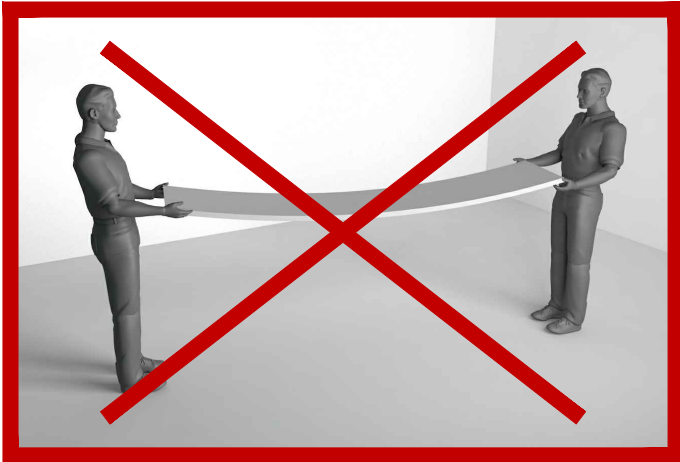
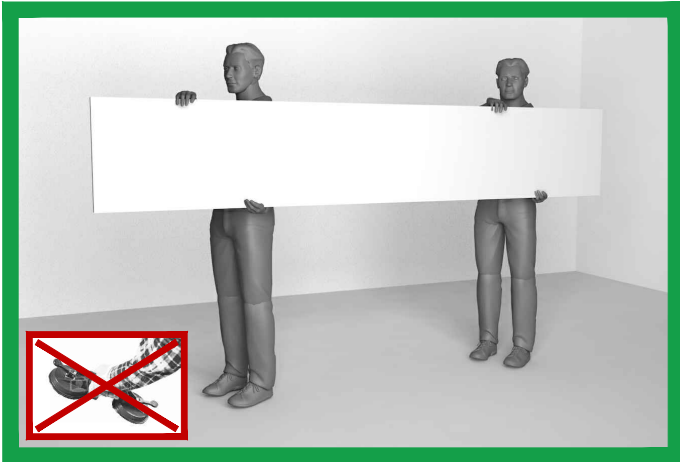
5) if needed, use the eye/ring screws for safety cables






6) Connect the power cables coming from the driver and enjoy your light



HOW TO HANDLE



WARNINGS

- | | | |
|---|---|--|
|  DO NOT WET |  DO NOT USE DETERGENTS |  DO NOT USE HUMID FABRICS |
|---|---|--|

BACKLIGHT

Via A. Volta, 5
20876 Ornago (MB)
Italy

+39 039 6010396
www.backlightsrl.com
chiaro.armstrong@backlightsrl.com
info@backlightsrl.com