



T-BAR FLEX™

by JLC • tech

*Innovative lighting engineered for seamless integration
into the DESIGNFlex™ ceiling system by*

Armstrong
CEILING SOLUTIONS



The T-BAR FLEX™

JLC-Tech, a pioneer for architecturally integrated LED lighting solutions, in partnership with Armstrong® Ceiling Solutions, brings to you a new way to reinvent your ceiling with shapes and light.

Introducing the T-BAR FLEX™, a truly integrated lighting solution for the DESIGNFlex™ Ceiling System. Utilizing JLC-Tech's patented technology of replacing the cross tees in a suspended ceiling, you can create lighting layouts like never before: From zig-zag linear patterns, to geometric shapes, the possibilities are endless.

JLC-Tech: It takes a genius to make it simple.

Installation with **Armstrong** is tool-free

CEILING SOLUTIONS

The XM clip, specifically designed for JLC-Tech, is mounted at each end of the T-BAR FLEX for easy installation into the DESIGNFlex™ Ceiling System by Armstrong® Ceilings. It allows the fixture to become a part of the certified ceiling assembly, eliminating the need for support wires. T-BAR FLEX replaces selected cross tees of the 15/16" or 9/16" Suspension System where light is desired. (See installation instruction for more details.)

T-BAR FLEX™ key benefits

no plenum occupancy

The minimalistic low profile lighting leaves the space above the ceiling completely unoccupied and facilitates the placement of other ceiling utilities.

improved acoustics

The clean modern lights occupy the grid, allowing for the use of uninterrupted ceiling panels, creating a uniform ceiling design and optimizing sound absorption and light reflectance.

reduce and save

Installation is a snap and requires no tools.

even foot candles

The versatile lighting can be placed in the ceiling wherever light is needed or desired, resulting in a more uniform illumination and the ability to achieve the required foot candles.

T-BAR FLEX™ clips into DESIGNFlex™ Ceiling System



example lighting layout of 60° triangle

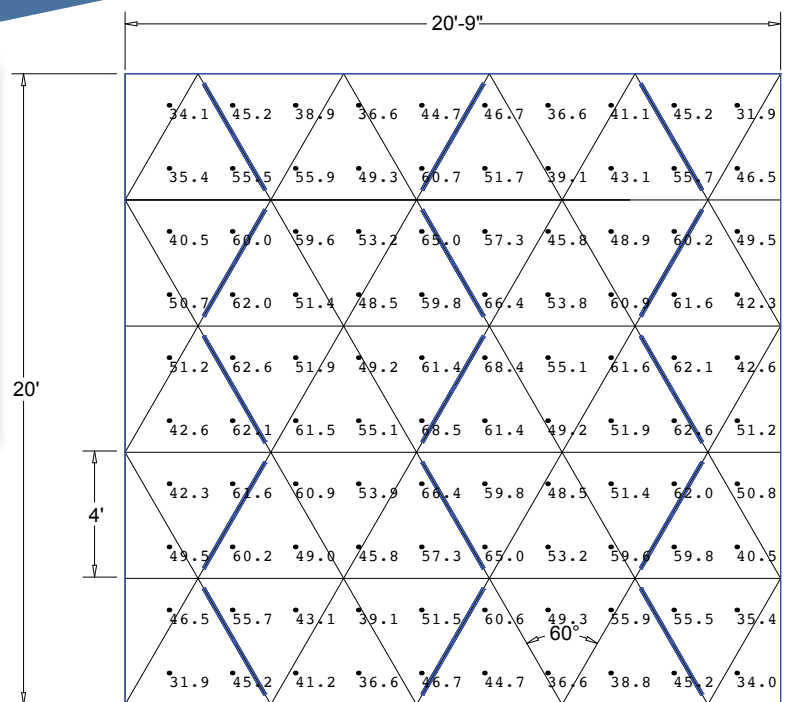
Room dimensions:

20' 9" X 20'
ceiling height - 9ft

Quantity of product:

15 pcs – TBFL-MN-49-15-D-A-W
T-BAR FLEX 48" OC, 60° 9/16" (4000K)

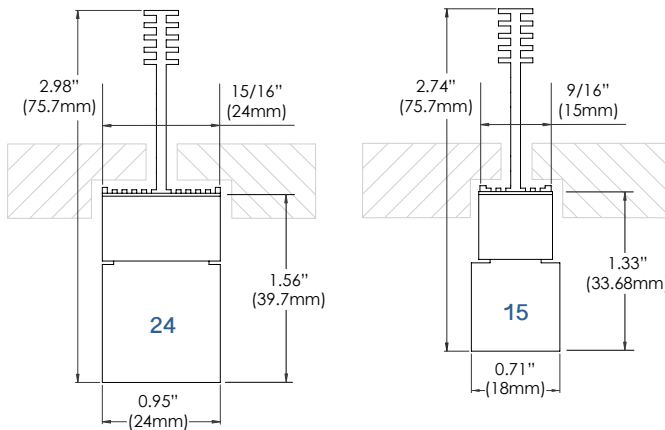
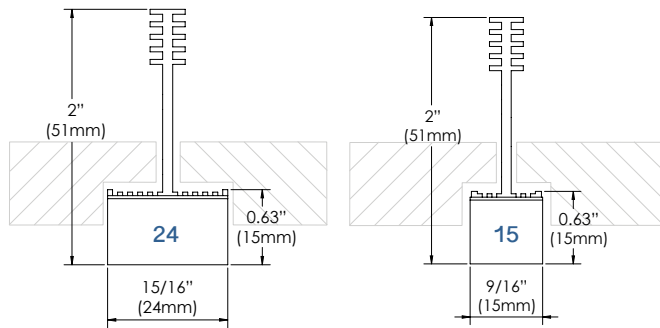
Average foot candle achieved at desk: 51.15 FC



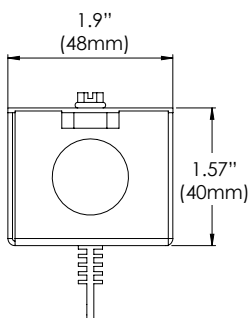
Product Name	Type of LED/K Color	Size	Grid Type	Optic	Mounting Clips	Color
TBFL = T-BAR FLEX	HW = Warm White 3000K MW = Medium Warm 3500K MN = Medium Neutral 4000K HN = Neutral White 4500K	16 = 24" OC, 75° 22 = 24" OC, 60° 30 = 24" OC, 45° 41 = 48" OC, 75° 49 = 48" OC, 60° 64 = 48" OC, 45°	24 = 15/16" 15 = 9/16"	D = Diffusing Lens B = Block Clear Diffusing Lens B2 = Block Frosted Diffusing Lens	A = Armstrong® Ceilings	W = White C = Custom

Patent No. 8,177,385; 9,879,850. Additional patents are pending.

Profile Dimensions



JB Installed on top (provided)



CRI = >82

NOTES:

T-BAR FLEX is designed for seamless integration into DESIGNFlex™ Ceiling Systems by Armstrong® Ceilings. Create unique shapes and patterns beyond the traditional ceiling layout. Armstrong Ceiling clips allow for easy installation, just as you would install a typical cross tee.

APPLICATIONS:

Executive, Medical, Health, Educational, Retail, Hotels, Airport, Hospitality and any open space areas that require a unique and elegant architectural lighting design.

MOUNTING:

Integrates with Armstrong Ceilings DESIGNFlex 15/16" Prelude® and 9/16" Suprafine® Suspension Systems.

MATERIALS:

Anodized and painted aluminum extruded body, steel mounting clips, white PC end caps, high transmitting acrylic PMMA lens.

ELECTRIC:

Universal input voltage of 120V - 277VAC. Junction box installed on fixture with integral driver and wire nuts inside for connection to line voltage and 0-10V dimming system. Fixture must be installed in accordance with local electrical codes.

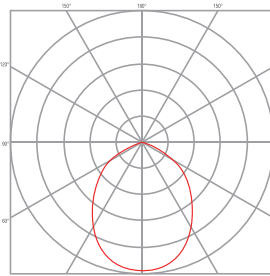
WARRANTY:

5 years

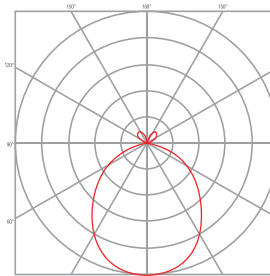
LISTINGS:

ETL/cETLus CE RoHS Indoor use only.

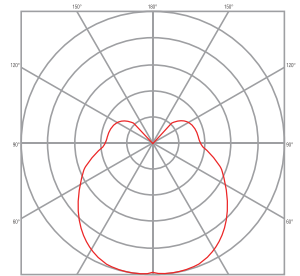
PHOTOMETRICS:



Diffusing Lens



Clear Block Diffusing Lens



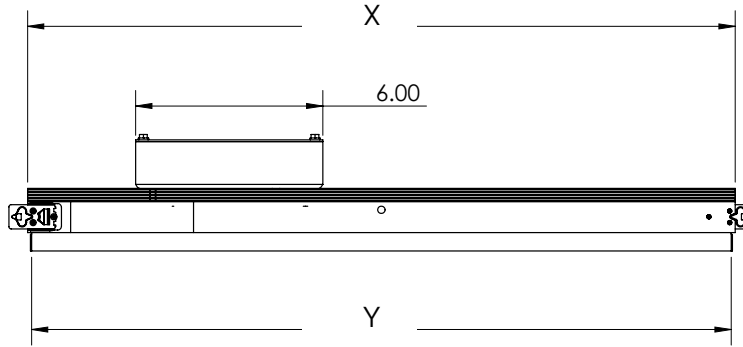
Frosted Block Diffusing Lens



The T-BAR FLEX™ is specifically designed for DESIGNFlex™ Ceilings Systems by Armstrong® Ceilings. To learn more about this ceiling system visit www.armstrongceilings.com/designflex

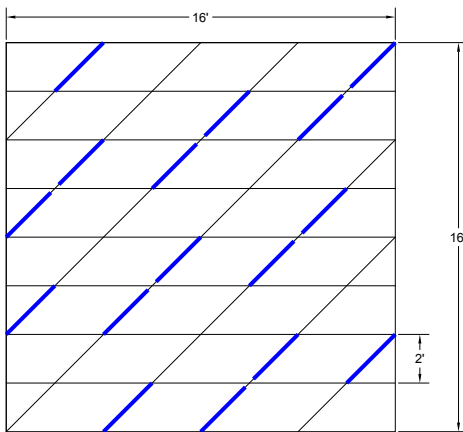


LENGTH DETAILS:

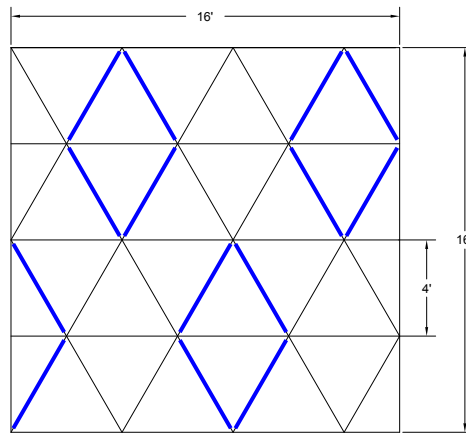


Size	Description	Grid Type	Replaces DesignFlex™ ceiling T code	X	Y	Lumens	Watts	lm/W
16	24" OC, 75°	15/16"	XM737524	16.92"	16.67"	876	7.3	120
		9/16"	XM757524			657		90
22	24" OC, 60°	15/16"	XM736024	22.68"	22.42"	1174	10.4	113
		9/16"	XM756024			881		85
30	24" OC, 45°	15/16"	XM734524	30.43"	30.17"	1575	13.8	114
		9/16"	XM754524			1181		86
41	48" OC, 75°	15/16"	XM737548	41.66"	41.41"	2157	19.0	113
		9/16"	XM757548			1618		85
49	48" OC, 60°	15/16"	XM736048	49.51"	49.25"	2563	22.4	114
		9/16"	XM756048			1922		86
64	48" OC, 45°	15/16"	XM734548	64.37"	64.11"	3332	29.8	112
		9/16"	XM754548			2499		84

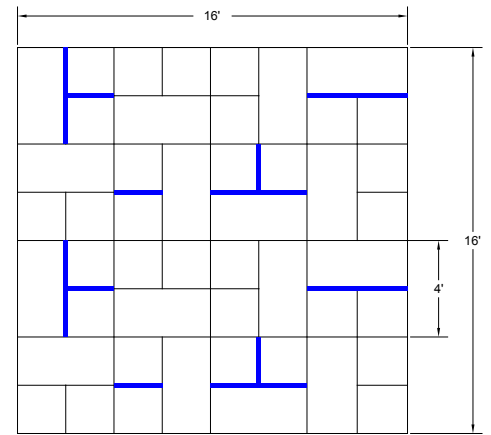
EXAMPLE LAYOUTS:



24" O.C. 45° Parallelograms



48" O.C. 60° Triangles



48" O.C. Squares and rectangles
For square and rectangle patterns please refer to T-BAR LED™ product line.



The T-BAR FLEX™ is specifically designed for DESIGNFlex™ Ceilings Systems by Armstrong® Ceilings. To learn more about this ceiling system visit www.armstrongceilings.com/designflex



JLC • tech



JLC-Tech LLC
370 Corporate Park, Pembroke, MA 02359

T +1-781-826-8162 F +1-781-826-8163
info@jlc-tech.com
www.tbarflex.com

© 2018 JLC-Tech LLC, All Rights Reserved

The T-BAR FLEX™ product line is protected under the following patents:
Patent No. 8,177,385; 9,879,850; 004481000-0001; 004481000-0002.
Additional patents are pending.