



# METALWORKS™ PERFORATIONS

Capabilities

# Add Some PERSONALITY

What inspires you to add character to your ceiling designs using negative space? Could it be the intricacy of an antique Persian lantern? Or the simple visual found on a pegboard. No matter what sparks your imagination, there are a variety of perforation options from standard to custom that allow you to tell your design story.

Now, introducing MetalWorks™ Create!™ panels. Create a unique ceiling visual using your own images or artwork!

## Build character in your space

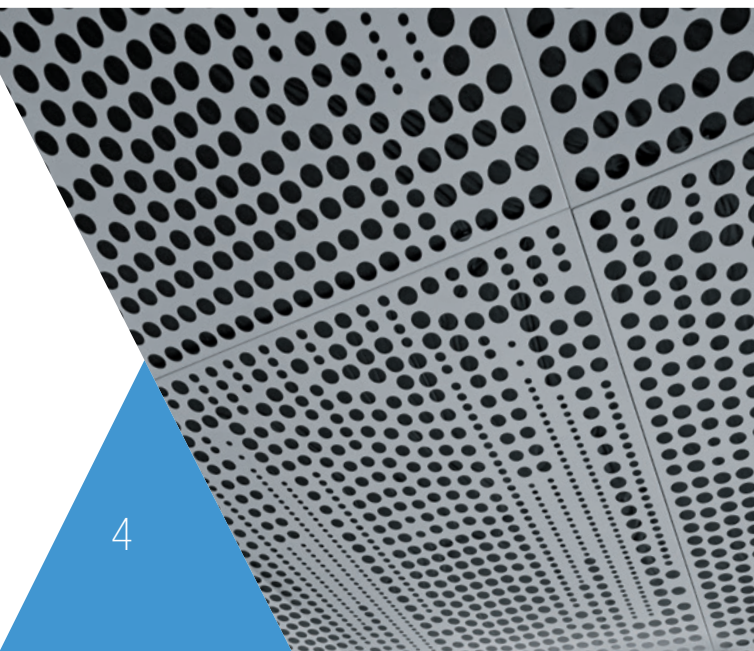
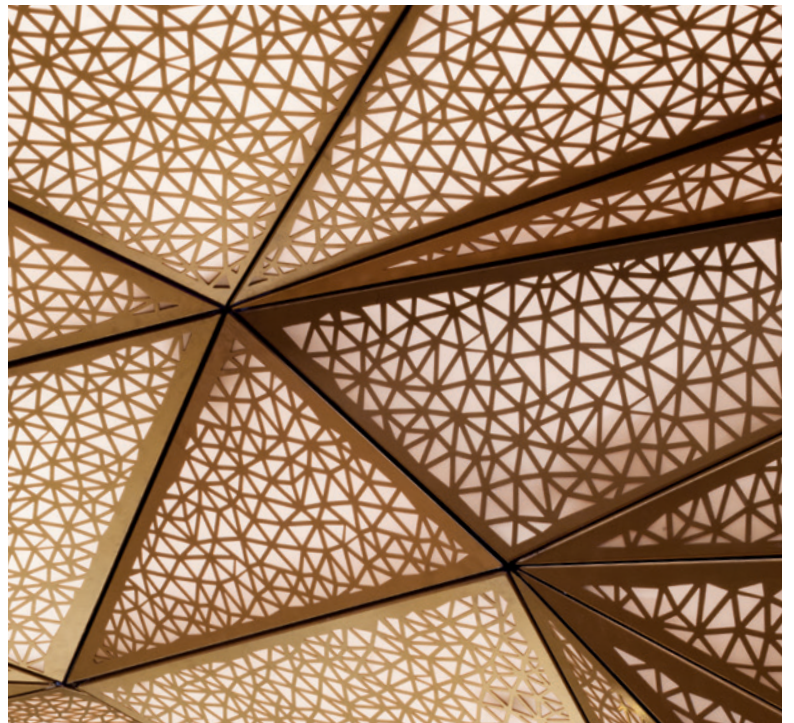


CUSTOM CAPABILITIES

# Something to talk ABOUT

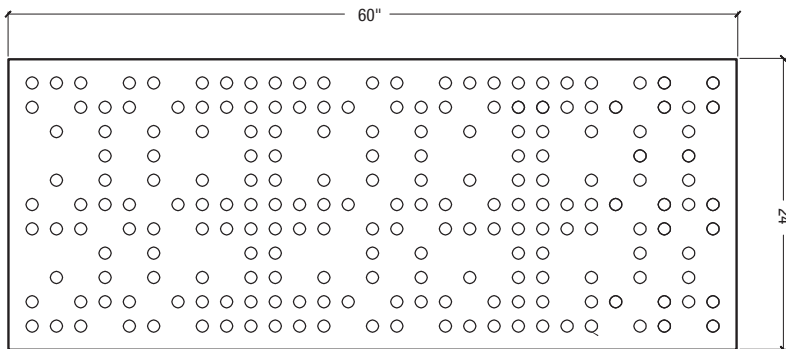
Count on our You Inspire™ Solutions Center design support to bring your one-of-a-kind ideas to life...from initial design, to product selection, integration with installation and accessories, customization, and specification to achieve the best possible finished installation. Ideal for architects and contractors who require unique solutions for perforated ceilings and walls.

▼ MetalWorks™ panels with custom perforations



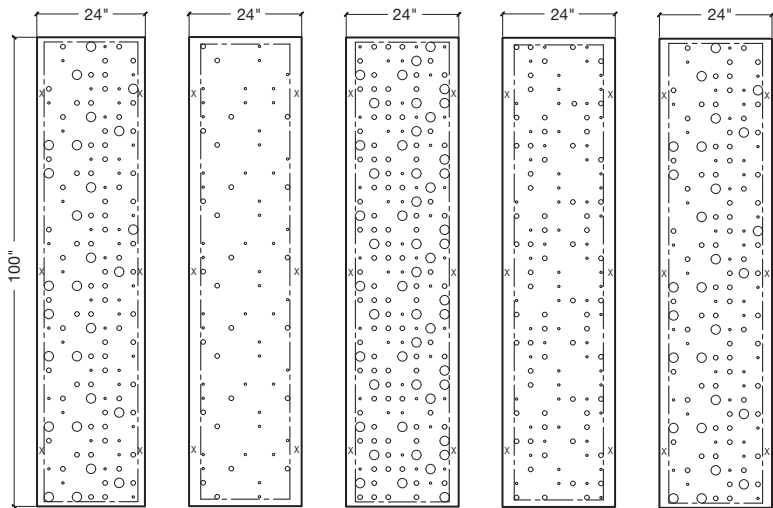


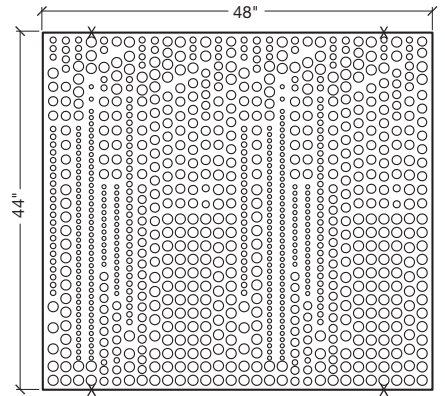
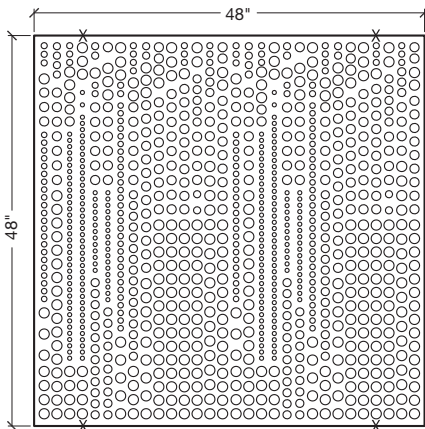
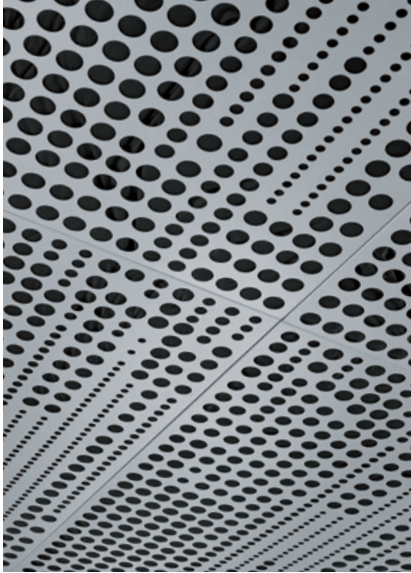
▲ MetalWorks™ RH 200; Polycom, Andover, MA; Perkins + Will, Boston, MA





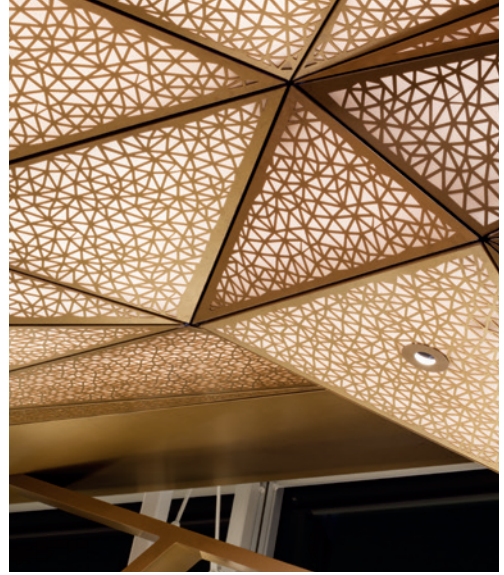
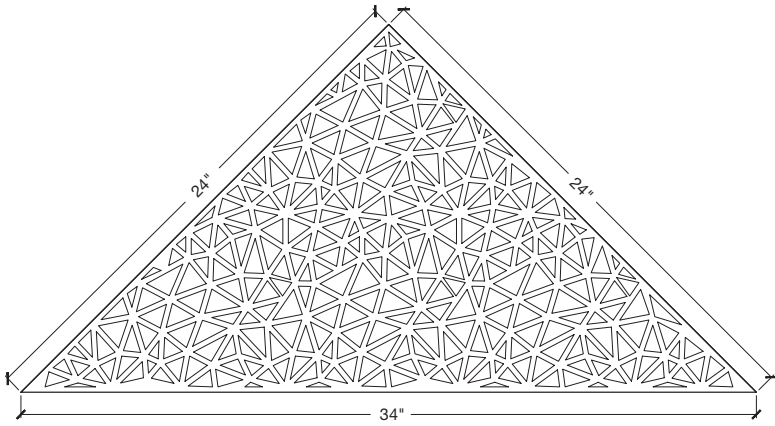
▲ MetalWorks™ RH200; Logan International Airport; Boston, MA; Arrowstreet, Inc., Boston, MA





▼ MetalWorks™ Torsion Spring; Kettle Moraine School District, Delafield, WI; Eppstein Uhen Architects, Milwaukee, WI





▼ MetalWorks™ Torsion Spring; Etihad Airways, Jamaica Queens, NY; Gensler







Top left: MetalWorks™ Torsion Spring  
Middle left: MetalWorks™ 3D  
Bottom left: MetalWorks™ WH-1000

Top Middle: MetalWorks™ Vector®  
Middle: MetalWorks™ Tegular  
Bottom middle: MetalWorks™ Clip-on

Top right: MetalWorks™ RH200  
Middle right: MetalWorks™ RH215  
Bottom right: MetalWorks™ DH700



▲ METALWORKS™ Create!™ Torsion Spring panels



# METALWORKS™ Create!™ Perforated Ceiling and Wall Panels





- Transform your images onto custom perforated metal panels
- Available in custom perforated panel sizes and colors
- Available for Torsion Spring, Clip-on, RH200/RH215, and WH1000/WH1100 metal ceilings

▼ METALWORKS™ Create!™ Torsion Spring panels

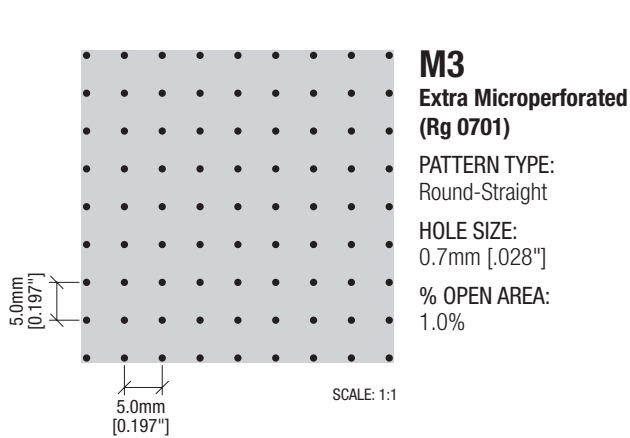


A unique visual with  
acoustical performance

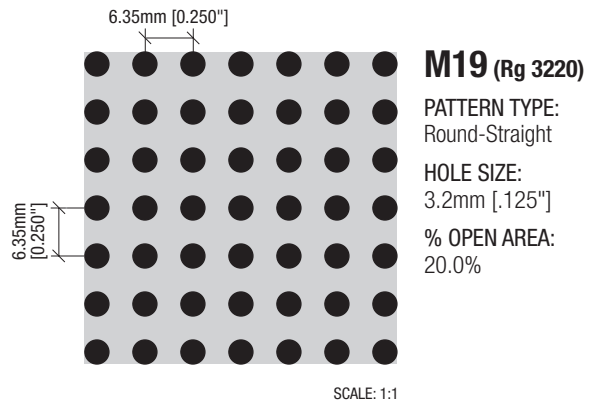
# METALWORKS™

## Perforation Options for Ceiling and Wall Panels

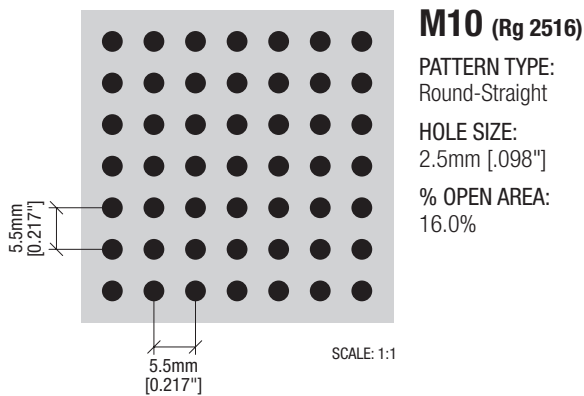
### Standard Perforations



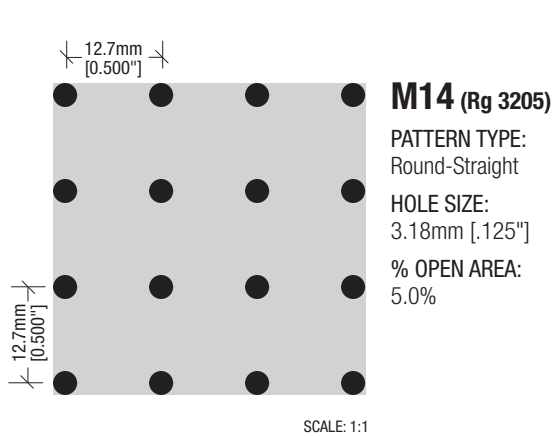
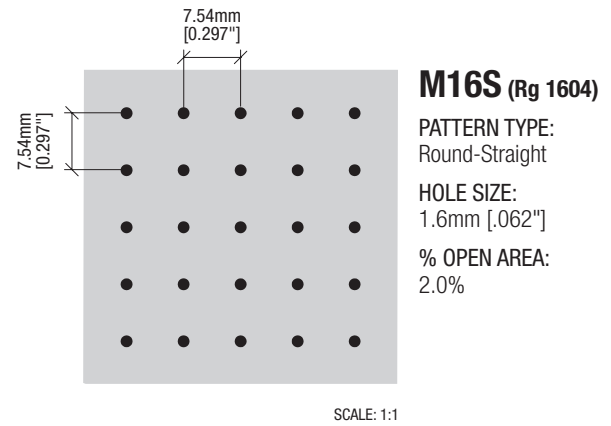
**Standard on:** MetalWorks™ Tegular, MetalWorks™ Vector®, MetalWorks Tin, MetalWorks Canopies, MetalWorks Tin infills for Metaphors® Coffers



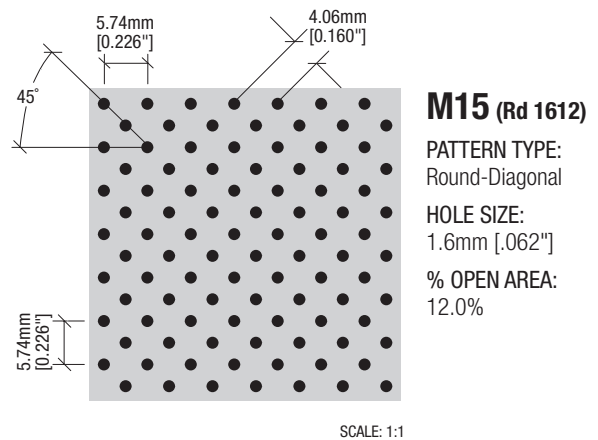
**Standard on:** MetalWorks Torsion Spring, MetalWorks Clip-on



**Standard on:** MetalWorks™ Capz™, MetalWorks Concealed



**Standard on:** MetalWorks Torsion Spring, MetalWorks Clip-on

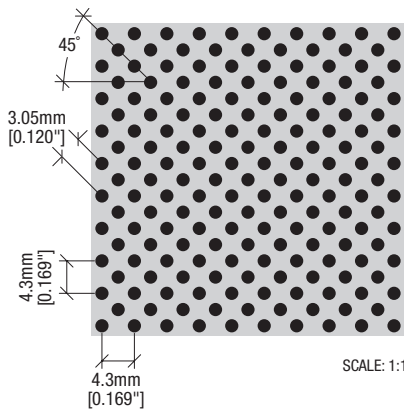


**Standard on:** MetalWorks™ Torsion Spring, MetalWorks Tegular for TechZone®, MetalWorks™ Blades™, MetalWorks 3D, MetalWorks Clip-on

For technical assistance with custom design options and perforations, contact the You Inspire™ Solutions Center at solutionscenter@armstrongceilings.com

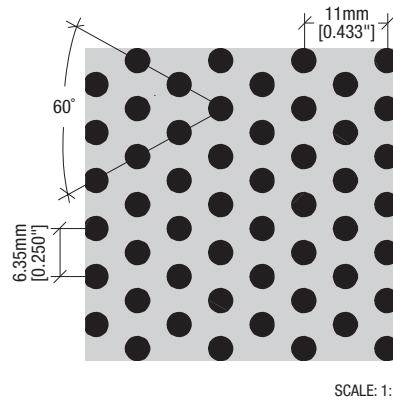
**Key for Perforation Names (Example: Rg 0701)**  
**Rg** Hole shape (round/straight)  
**07** Diameter of hole size in mm (Example: 0.7 mm)  
**01** % open area  
 Perforations with an open area greater than 20% may have reduced panel size capabilities.

**Key for Perforation Types**  
**Bg** = oblong/straight    **Qg** = square/straight  
**Bv** = oblong/staggered    **Rd** = round/diagonal  
**Lg** = rectangle/straight    **Rg** = round/straight  
**Lv** = rectangle/staggered    **Rv** = round/staggered  
**Qd** = square/diagonal



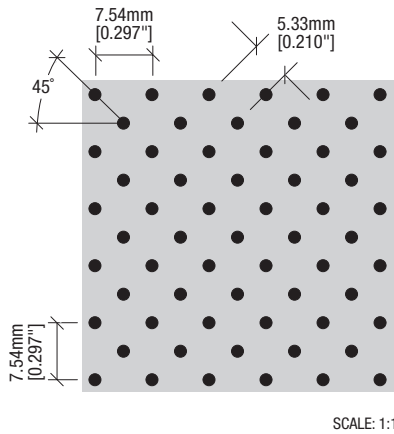
**M2**  
**Microperforated (Rd 1518)**  
 PATTERN TYPE:  
 Round-Diagonal  
 HOLE SIZE:  
 1.5mm [.059"]  
 % OPEN AREA:  
 18.0%

**Standard on:** MetalWorks Tegular, MetalWorks Vector, MetalWorks Linear, MetalWorks Plank, MetalWorks Canopies, MetalWorks infills for Metaphors Coffers



**M17 (Rv 3223)**  
 PATTERN TYPE:  
 Round-Staggered  
 HOLE SIZE:  
 3.2mm [.125"]  
 % OPEN AREA:  
 23.0%

**Standard on:** MetalWorks Torsion Spring, MetalWorks Clip-on

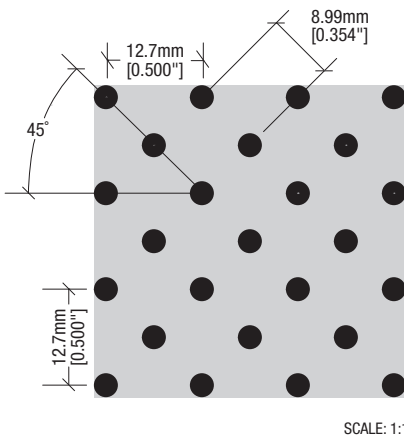


**M16 (Rd 1607)**  
 PATTERN TYPE:  
 Round-Diagonal  
 HOLE SIZE:  
 1.6mm [.062"]  
 % OPEN AREA:  
 7.0%

**Standard on:** MetalWorks Torsion Spring, MetalWorks Clip-on



▲ ▼ MetalWorks™ Vector®; Lovefield Airport, Dallas, TX; Corgan Architects, Dallas, TX



**M18 (Rd 3210)**  
 PATTERN TYPE:  
 Round-Diagonal  
 HOLE SIZE:  
 3.2mm [.125"]  
 % OPEN AREA:  
 10.0%

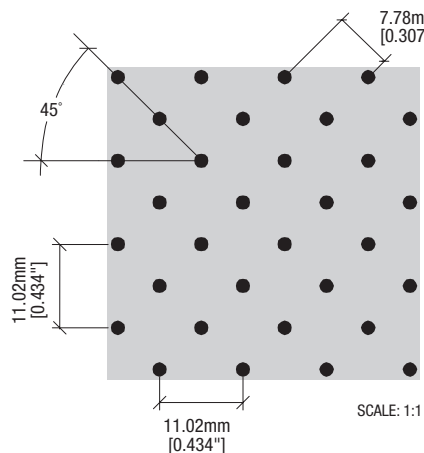
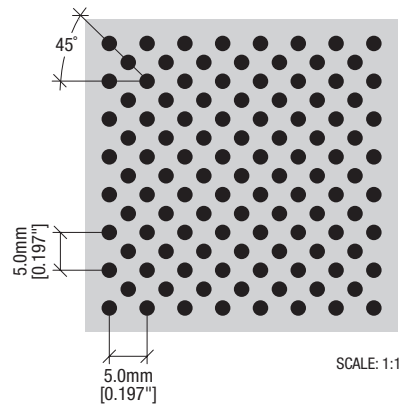
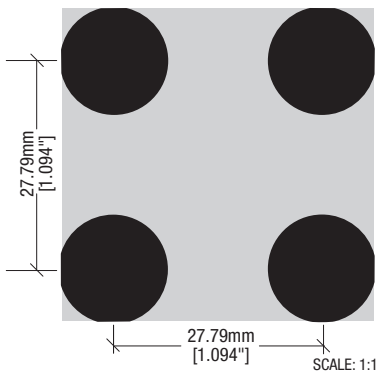
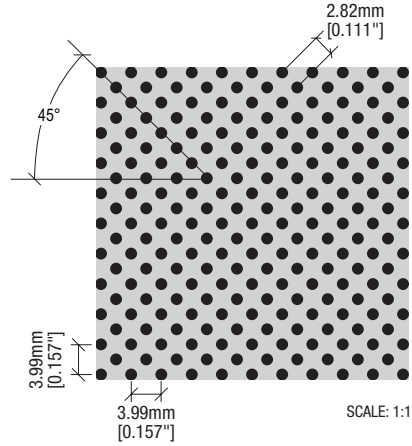
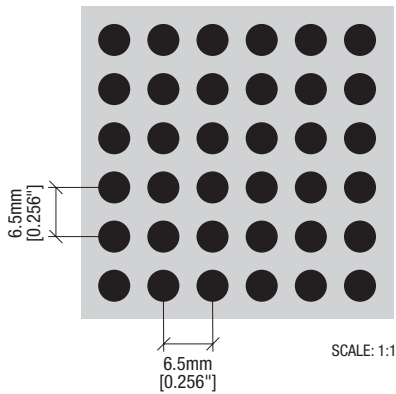
**Standard on:** MetalWorks Torsion Spring, MetalWorks Clip-on



# METALWORKS™

## Perforation Options for Ceiling and Wall Panels

### Premium Perforations



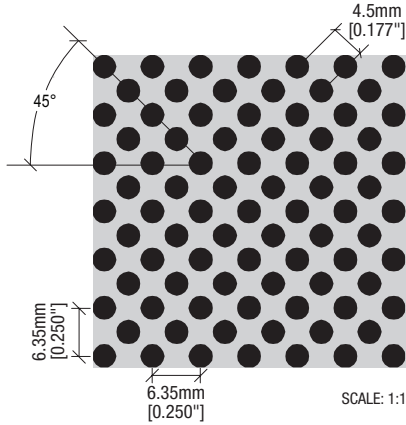
For technical assistance with custom design options and perforations, contact the You Inspire™ Solutions Center at [solutionscenter@armstrongceilings.com](mailto:solutionscenter@armstrongceilings.com)

**Key for Perforation Names (Example: Rg 0701)**  
**Rg** Hole shape (round/straight)  
**07** Diameter of hole size in mm (Example: 0.7 mm)  
**01** % open area

Perforations with an open area greater than 20% may have reduced panel size capabilities.

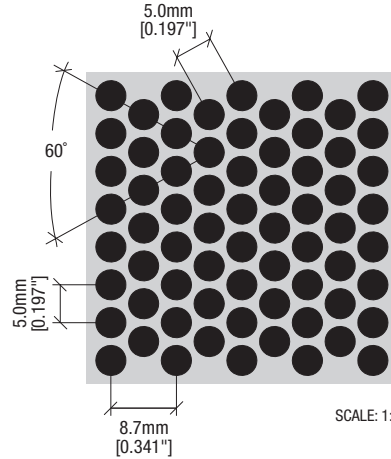
**Key for Perforation Types**

Bg = oblong/straight	Qg = square/straight
Bv = oblong/staggered	Rd = round/diagonal
Lg = rectangle/straight	Rg = round/straight
Lv = rectangle/staggered	Rv = round/staggered
Qd = square/diagonal	



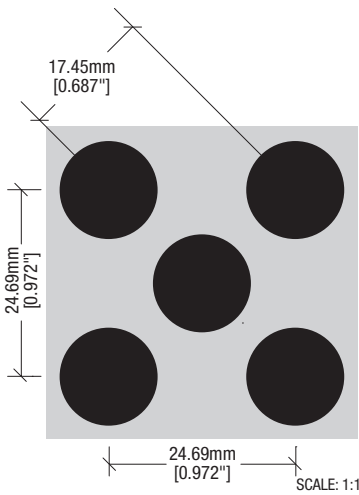
**M24 (Rd 3239)**

**PATTERN TYPE:**  
Round-Diagonal  
**HOLE SIZE:**  
3.18mm [.125"]  
**% OPEN AREA:**  
39.0%



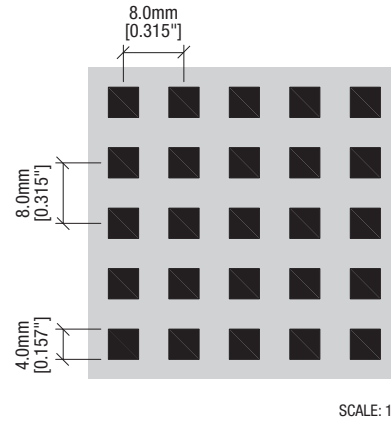
**M4 (Rv 4058)**

**PATTERN TYPE:**  
Round-Staggered  
**HOLE SIZE:**  
4.0mm [.157"]  
**% OPEN AREA:**  
58.0%



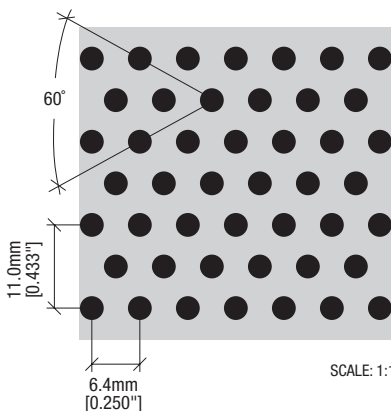
**M29 (Rd 1242)**

**PATTERN TYPE:**  
Round-Diagonal  
**HOLE SIZE:**  
12.7mm [.500"]  
**% OPEN AREA:**  
42.0%



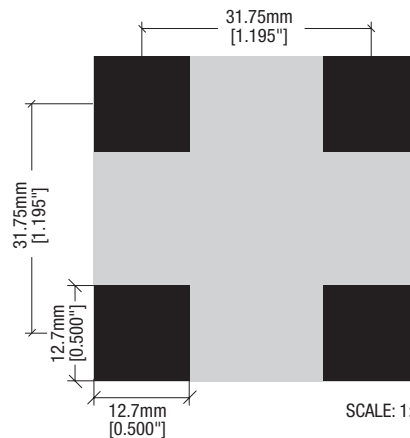
**M6 (Qg 4025)**

**PATTERN TYPE:**  
Square-Straight  
**HOLE SIZE:**  
4.0mm x 4.0mm  
[.157" x .157"]  
**% OPEN AREA:**  
25.0%



**M9S (Rv 3020)**

**PATTERN TYPE:**  
Round-Staggered  
**HOLE SIZE:**  
3.0mm [.118"]  
**% OPEN AREA:**  
20.0%



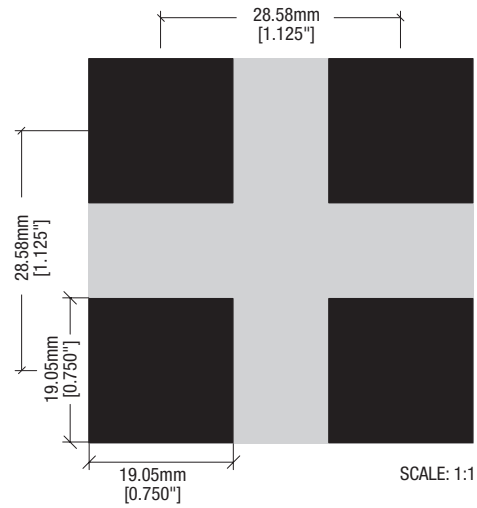
**M27 (Qg 1218)**

**PATTERN TYPE:**  
Square-Straight  
**HOLE SIZE:**  
12.7mm x 12.7mm  
[.500" x .500"]  
**% OPEN AREA:**  
18.0%

# METALWORKS™

## Perforation Options for Ceiling and Wall Panels

### Premium Perforations

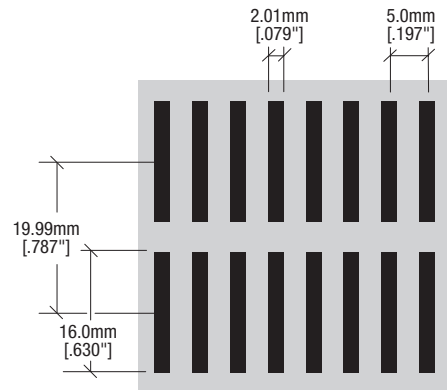


#### **M25 (Qg 1945)**

PATTERN TYPE:  
Square-Straight

HOLE SIZE:  
19.04mm x 19.04mm  
[.750" x .750"]

% OPEN AREA:  
44.0%



#### **M5 (Lg 16032)**

PATTERN TYPE:  
Rectangle-Straight

HOLE SIZE:  
2.01mm x 16.0mm  
[.079" x .630"]

% OPEN AREA:  
32.0%



For technical assistance with custom design options and perforations, contact the You Inspire™ Solutions Center at solutionscenter@armstrongceilings.com

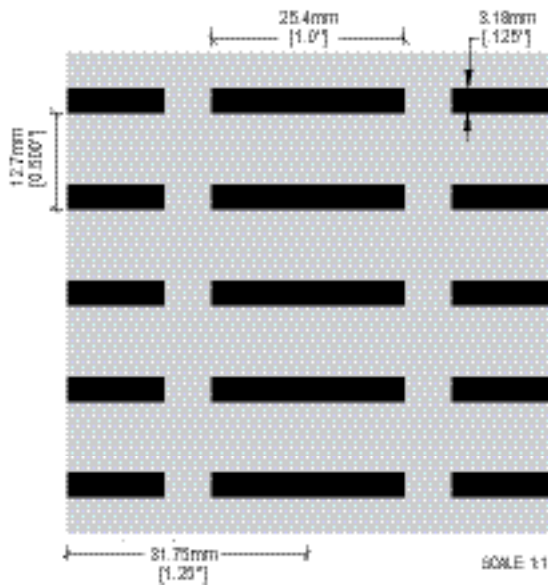
**Key for Perforation Names (Example: Rg 0701)**

- Rg** Hole shape (round/straight)
- 07** Diameter of hole size in mm (Example: 0.7 mm)
- 01** % open area

Perforations with an open area greater than 20% may have reduced panel size capabilities.

**Key for Perforation Types**

- |                          |                      |
|--------------------------|----------------------|
| Bg = oblong/straight     | Qg = square/straight |
| Bv = oblong/staggered    | Rd = round/diagonal  |
| Lg = rectangle/straight  | Rg = round/straight  |
| Lv = rectangle/staggered | Rv = round/staggered |
| Qd = square/diagonal     |                      |

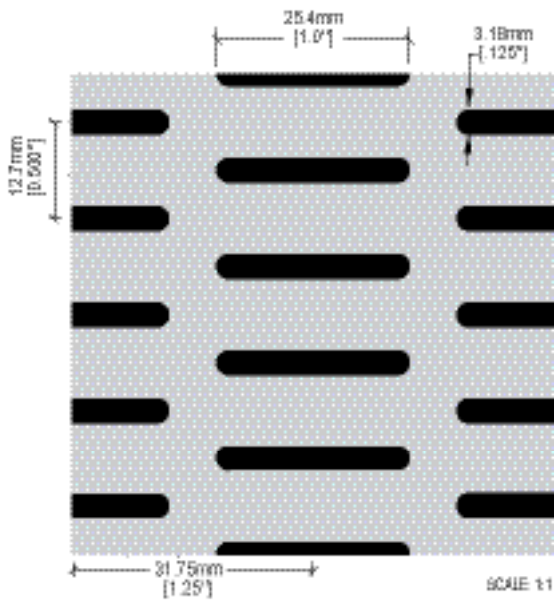


**M23 (Lg 25420)**

**PATTERN TYPE:**  
Rectangle-Straight

**HOLE SIZE:**  
3.175mm x 25.4mm  
[.125" x 1.00"]

**% OPEN AREA:**  
20.0%



**M22 (Bv 25422)**

**PATTERN TYPE:**  
Oblong-Staggered

**HOLE SIZE:**  
3.18mm x 25.4mm  
[.125" x 1.00"]

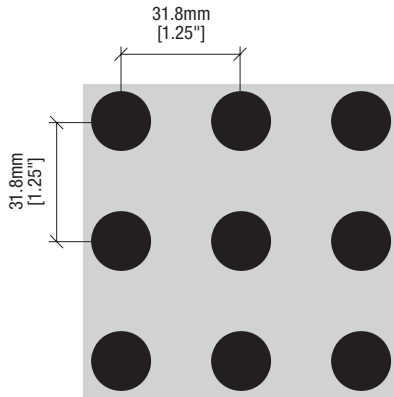
**% OPEN AREA:**  
22.0%



Minimum unperforated border will vary according to panel size.

# Perforation Options for Ceiling and Wall Panels

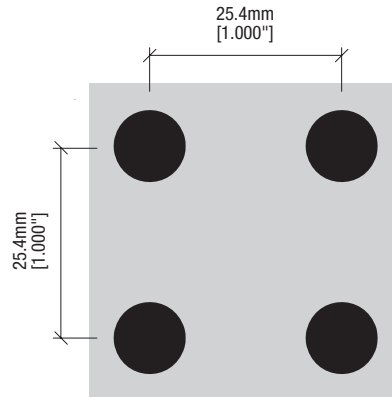
## Custom Perforations



### Rg 1520

PATTERN TYPE:  
Round-Straight  
HOLE SIZE:  
15.9mm [.625"]  
% OPEN AREA:  
20.0%

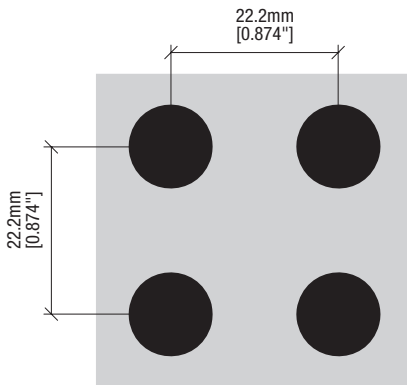
SCALE: 1:2



### Rg 9611

PATTERN TYPE:  
Round-Straight  
HOLE SIZE:  
9.5mm [.375"]  
% OPEN AREA:  
11.0%

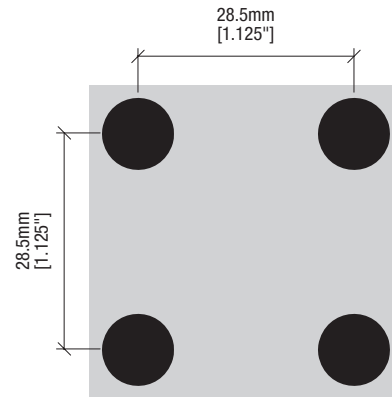
SCALE: 1:1



### Rg 1120

PATTERN TYPE:  
Round-Straight  
HOLE SIZE:  
11.1mm [.438"]  
% OPEN AREA:  
20.0%

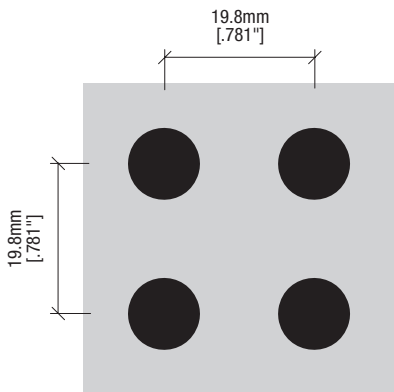
SCALE: 1:1



### Rg 9609

PATTERN TYPE:  
Round-Straight  
HOLE SIZE:  
9.5mm [.375"]  
% OPEN AREA:  
9.0%

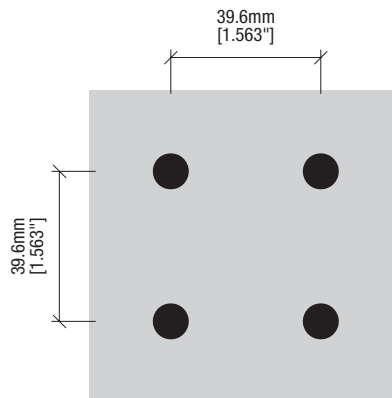
SCALE: 1:1



### Rg 9618

PATTERN TYPE:  
Round-Straight  
HOLE SIZE:  
9.5mm [.375"]  
% OPEN AREA:  
18.0%

SCALE: 1:1



### Rg 9605

PATTERN TYPE:  
Round-Straight  
HOLE SIZE:  
9.5mm [.375"]  
% OPEN AREA:  
5.0%

SCALE: 2:1

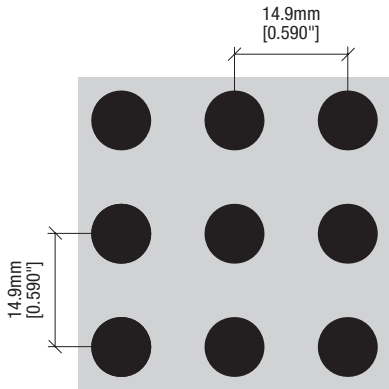
For technical assistance with custom design options and perforations, contact the You Inspire™ Solutions Center at [solutionscenter@armstrongceilings.com](mailto:solutionscenter@armstrongceilings.com)

**Key for Perforation Names (Example: Rg 0701)**  
**Rg** Hole shape (round/straight)  
**07** Diameter of hole size in mm (Example: 0.7 mm)  
**01** % open area

Perforations with an open area greater than 20% may have reduced panel size capabilities.

**Key for Perforation Types**

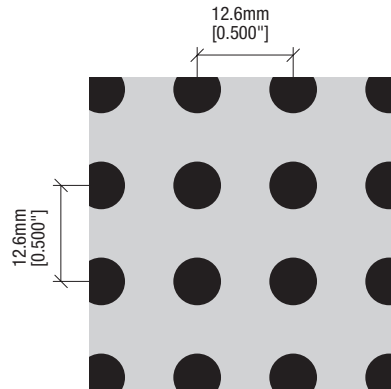
Bg = oblong/straight	Qg = square/straight
Bv = oblong/staggered	Rd = round/diagonal
Lg = rectangle/straight	Rg = round/straight
Lv = rectangle/staggered	Rv = round/staggered
Qd = square/diagonal	



**Rg 7922**

**PATTERN TYPE:**  
Round-Straight  
**HOLE SIZE:**  
7.9mm [.312"]  
**% OPEN AREA:**  
22.0%

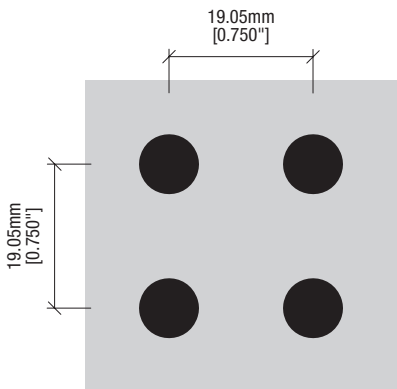
SCALE: 1:1



**Rg 6320**

**PATTERN TYPE:**  
Round-Straight  
**HOLE SIZE:**  
6.3mm [.250"]  
**% OPEN AREA:**  
20.0%

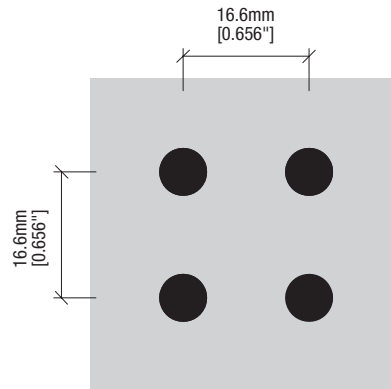
SCALE: 1:1



**Rg 7914**

**PATTERN TYPE:**  
Round-Straight  
**HOLE SIZE:**  
7.9mm [.312"]  
**% OPEN AREA:**  
14.0%

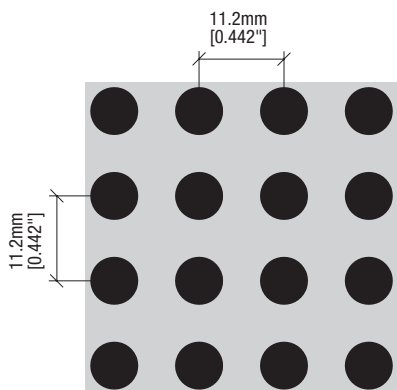
SCALE: 1:1



**Rg 6311**

**PATTERN TYPE:**  
Round-Straight  
**HOLE SIZE:**  
6.3mm [.250"]  
**% OPEN AREA:**  
11%

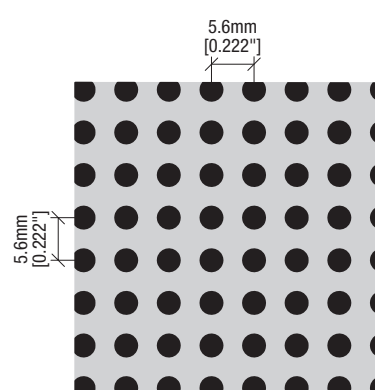
SCALE: 1:1



**Rg 6325**

**PATTERN TYPE:**  
Round-Straight  
**HOLE SIZE:**  
6.35mm [.250"]  
**% OPEN AREA:**  
25.0%

SCALE: 1:1

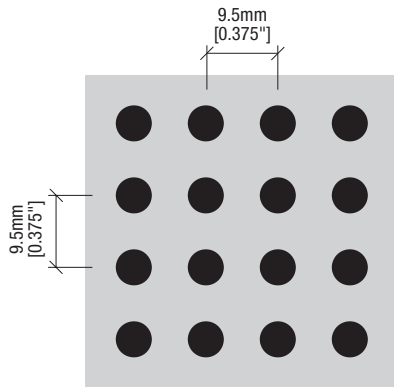


**Rg 3225**

**PATTERN TYPE:**  
Round-Straight  
**HOLE SIZE:**  
3.18mm [.125"]  
**% OPEN AREA:**  
25.0%

SCALE: 1:1

Custom Perforations



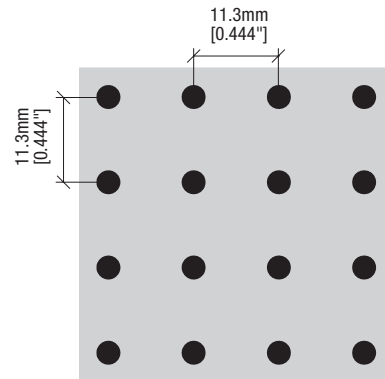
SCALE: 1:1

**M11S (Rg 4820)**

PATTERN TYPE:  
Round-Straight

HOLE SIZE:  
4.7mm [.188\"/>

% OPEN AREA:  
20.0%



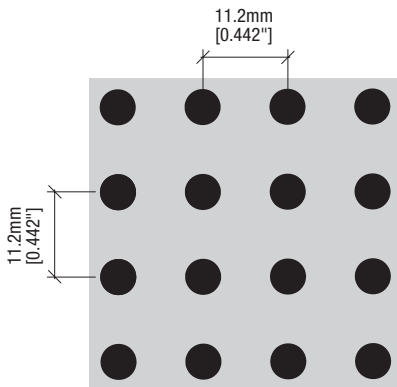
SCALE: 1:1

**Rg 3206**

Pattern Type:  
Round-Straight

Hole Size:  
3.18mm [.125\"/>

% Open Area:  
6.0%



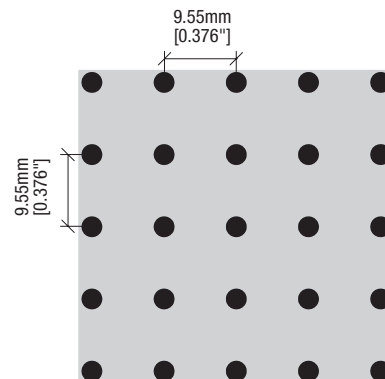
SCALE: 1:1

**Rg 4814**

PATTERN TYPE:  
Round-Straight

HOLE SIZE:  
4.7mm [.188\"/>

% OPEN AREA:  
14.0%



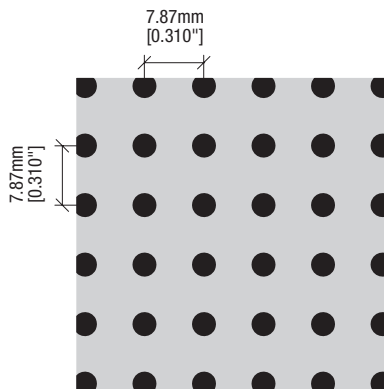
SCALE: 1:1

**Rg 2807**

PATTERN TYPE:  
Round-Straight

HOLE SIZE:  
2.77mm [.109\"/>

% OPEN AREA:  
7.0%



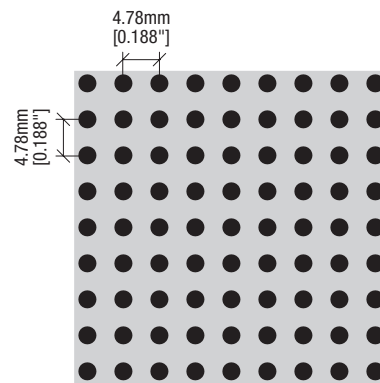
SCALE: 1:1

**Rg 3213**

PATTERN TYPE:  
Round-Straight

HOLE SIZE:  
3.18mm [.125\"/>

% OPEN AREA:  
13.0%



SCALE: 1:1

**Rg 2420**

PATTERN TYPE:  
Round-Straight

HOLE SIZE:  
2.39mm [.094\"/>

% OPEN AREA:  
20.0%

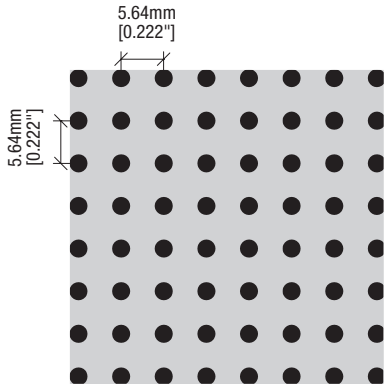
For technical assistance with custom design options and perforations, contact the You Inspire™ Solutions Center at [solutionscenter@armstrongceilings.com](mailto:solutionscenter@armstrongceilings.com)

**Key for Perforation Names (Example: Rg 0701)**  
**Rg** Hole shape (round/straight)  
**07** Diameter of hole size in mm (Example: 0.7 mm)  
**01** % open area

Perforations with an open area greater than 20% may have reduced panel size capabilities.

**Key for Perforation Types**

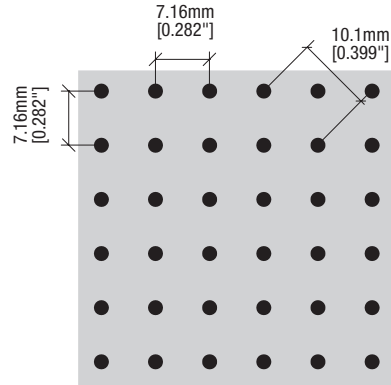
Bg = oblong/straight	Qg = square/straight
Bv = oblong/staggered	Rd = round/diagonal
Lg = rectangle/straight	Rg = round/straight
Lv = rectangle/staggered	Rv = round/staggered
Qd = square/diagonal	



**Rg 2414**

**PATTERN TYPE:**  
Round-Straight  
**HOLE SIZE:**  
2.39mm [.094"]  
**% OPEN AREA:**  
14.0%

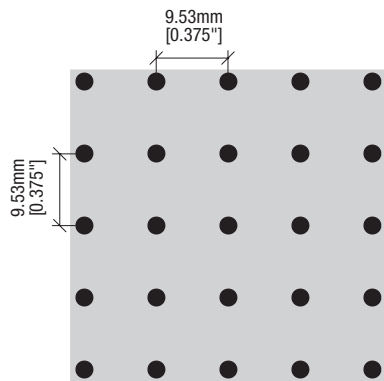
SCALE: 1:1



**Rg 1906**

**PATTERN TYPE:**  
Round-Straight  
**HOLE SIZE:**  
1.98mm [.078"]  
**% OPEN AREA:**  
6.0%

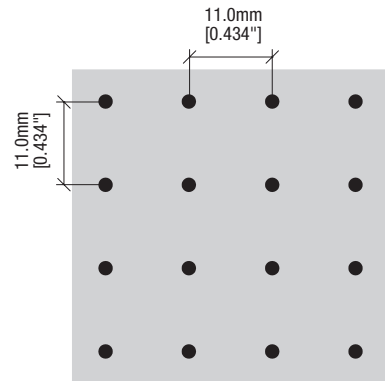
SCALE: 1:1



**Rg 2405**

**PATTERN TYPE:**  
Round-Straight  
**HOLE SIZE:**  
2.39mm [.094"]  
**% OPEN AREA:**  
3.0%

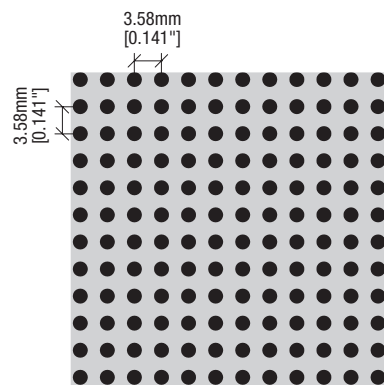
SCALE: 1:1



**Rg 1902**

**PATTERN TYPE:**  
Round-Straight  
**HOLE SIZE:**  
1.91mm [.075"]  
**% OPEN AREA:**  
2.0%

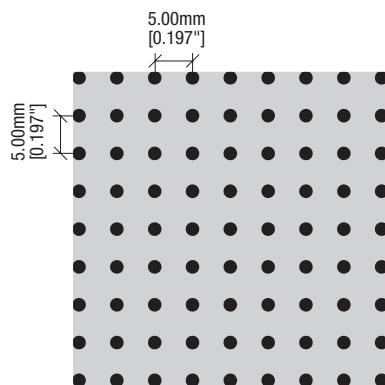
SCALE: 1:1



**Rg 1924**

**PATTERN TYPE:**  
Round-Straight  
**HOLE SIZE:**  
1.98mm [.078"]  
**% OPEN AREA:**  
24.0%

SCALE: 1:1



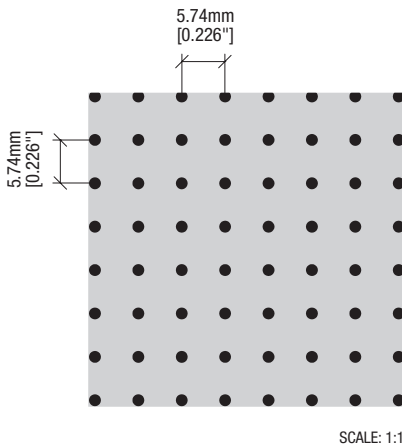
**Rg 1810**

**PATTERN TYPE:**  
Round-Straight  
**HOLE SIZE:**  
1.80mm [.071"]  
**% OPEN AREA:**  
10.0%

SCALE: 1:1

# Perforation Options for Ceiling and Wall Panels

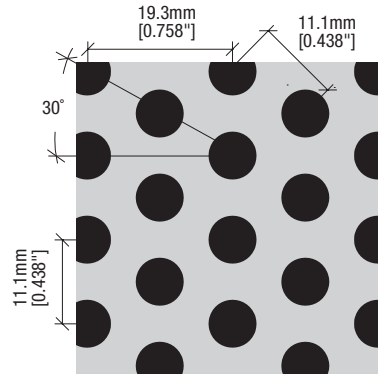
## Custom Perforations



### Rg 1606

PATTERN TYPE:  
Round-Straight  
HOLE SIZE:  
1.57mm [.062"]  
% OPEN AREA:  
6.0%

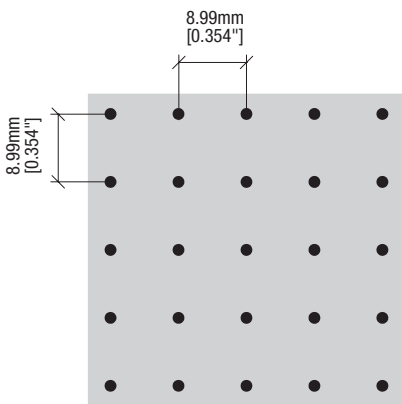
SCALE: 1:1



### Rv 6330

PATTERN TYPE:  
Round-Staggered  
HOLE SIZE:  
6.35mm [.250"]  
% OPEN AREA:  
30.0%

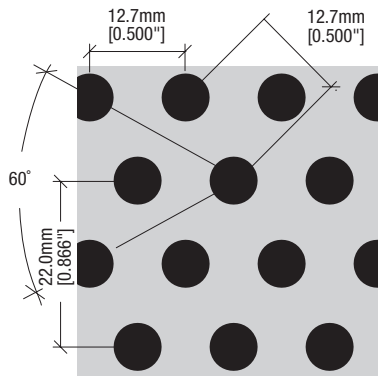
SCALE: 1:1



### Rg 1602

PATTERN TYPE:  
Round-Straight  
HOLE SIZE:  
1.57mm [.062"]  
% OPEN AREA:  
2.0%

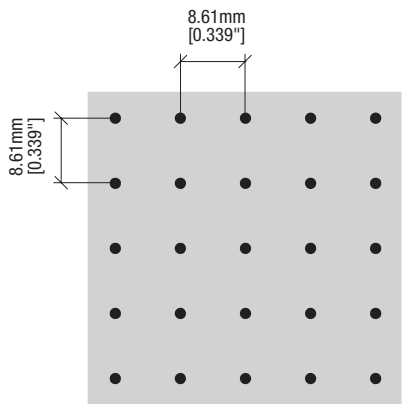
SCALE: 1:1



### Rv 6323

PATTERN TYPE:  
Round-Staggered  
HOLE SIZE:  
6.35mm [.250"]  
% OPEN AREA:  
23.0%

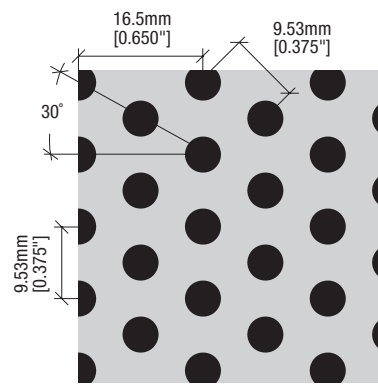
SCALE: 1:1



### Rg 1502

PATTERN TYPE:  
Round-Straight  
HOLE SIZE:  
11.1mm [.059"]  
% OPEN AREA:  
2.0%

SCALE: 1:1



### Rv 4823

PATTERN TYPE:  
Round-Staggered  
HOLE SIZE:  
4.78mm [.188"]  
% OPEN AREA:  
23.0%

SCALE: 1:1

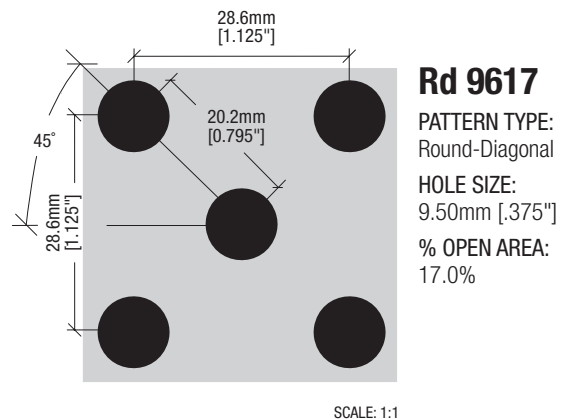
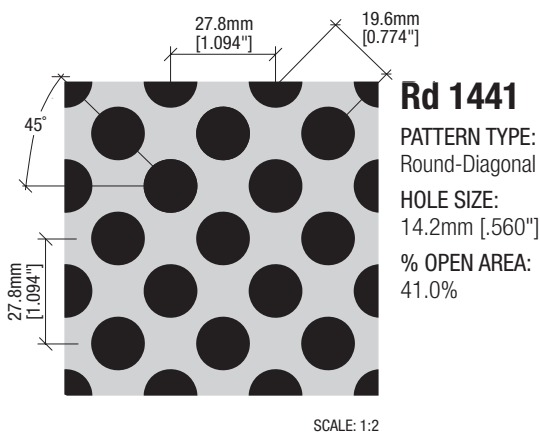
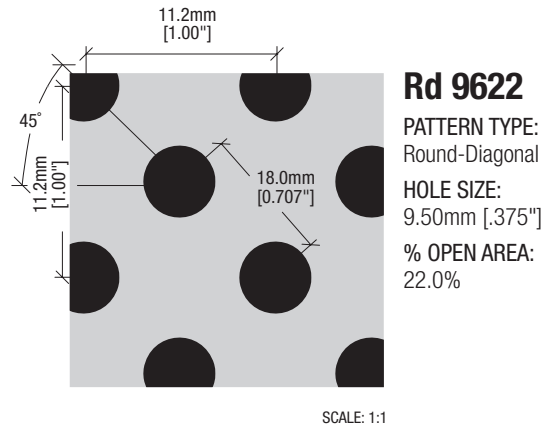
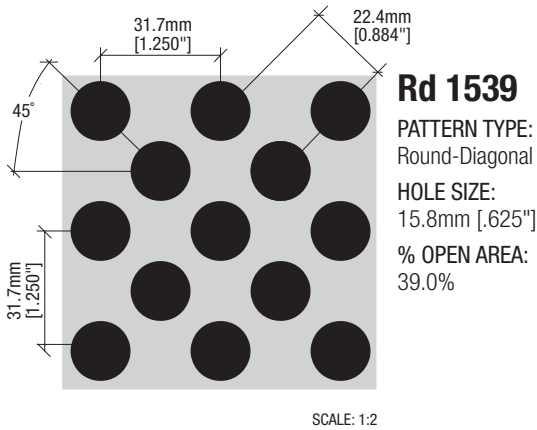
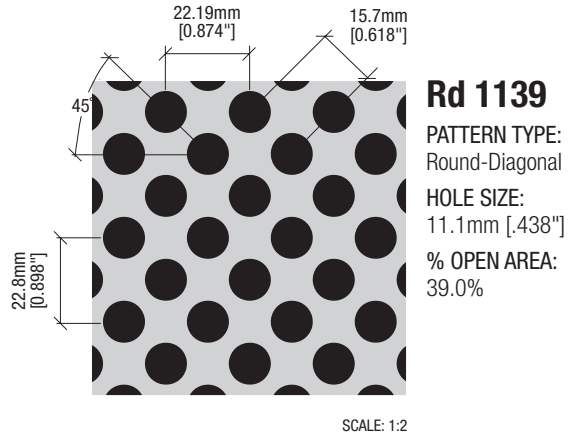
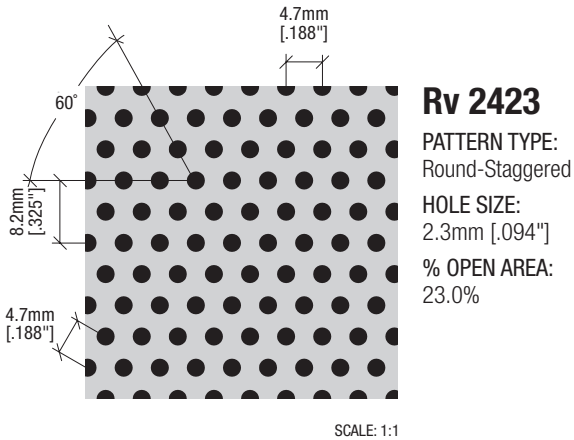
For technical assistance with custom design options and perforations, contact the You Inspire™ Solutions Center at [solutionscenter@armstrongceilings.com](mailto:solutionscenter@armstrongceilings.com)

**Key for Perforation Names (Example: Rg 0701)**  
**Rg** Hole shape (round/straight)  
**07** Diameter of hole size in mm (Example: 0.7 mm)  
**01** % open area

Perforations with an open area greater than 20% may have reduced panel size capabilities.

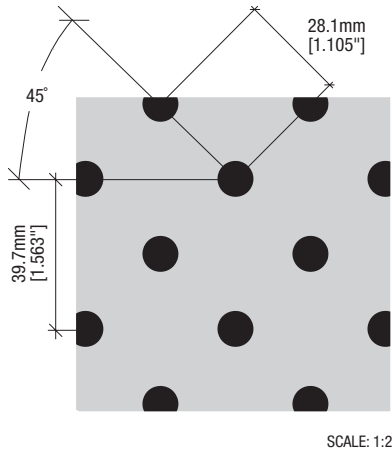
**Key for Perforation Types**

Bg = oblong/straight	Qg = square/straight
Bv = oblong/staggered	Rd = round/diagonal
Lg = rectangle/straight	Rg = round/straight
Lv = rectangle/staggered	Rv = round/staggered
Qd = square/diagonal	



# Perforation Options for Ceiling and Wall Panels

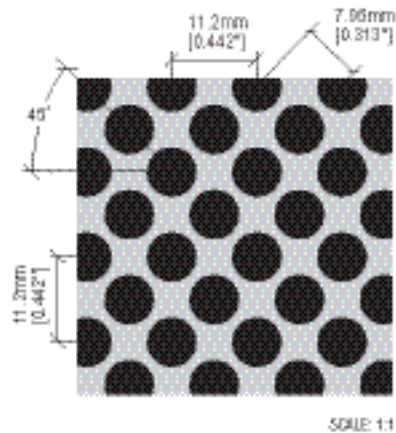
## Custom Perforations



### Rd 9609

PATTERN TYPE:  
Round-Diagonal  
HOLE SIZE:  
9.50mm [.375"]  
% OPEN AREA:  
9.0%

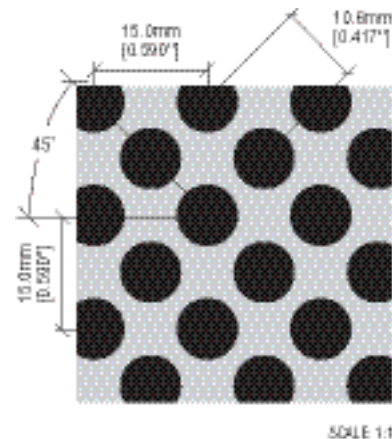
SCALE: 1:2



### Rd 6350

PATTERN TYPE:  
Round-Diagonal  
HOLE SIZE:  
6.35mm [.250"]  
% OPEN AREA:  
50.0%

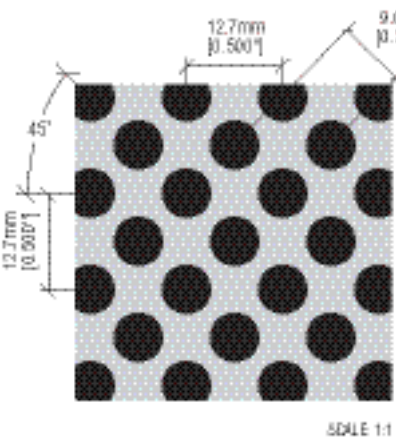
SCALE: 1:1



### Rd 7944

PATTERN TYPE:  
Round-Diagonal  
HOLE SIZE:  
7.92mm [.312"]  
% OPEN AREA:  
44.0%

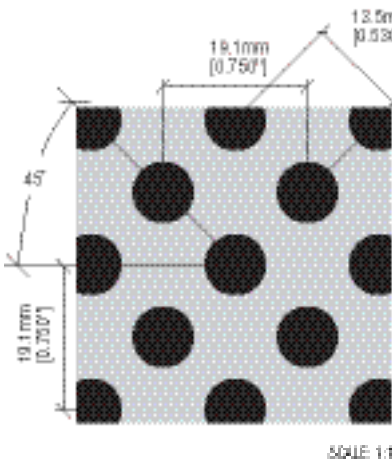
SCALE: 1:1



### Rd 6339

PATTERN TYPE:  
Round-Diagonal  
HOLE SIZE:  
6.35mm [.250"]  
% OPEN AREA:  
39.0%

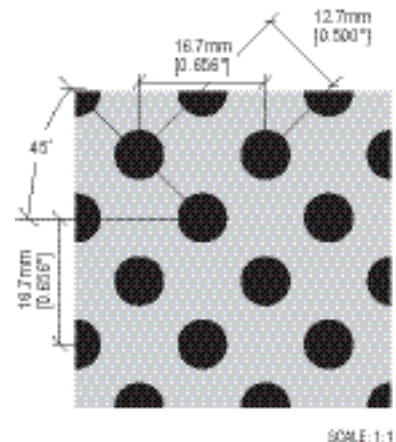
SCALE: 1:1



### Rd 7927

PATTERN TYPE:  
Round-Diagonal  
HOLE SIZE:  
7.92mm [.312"]  
% OPEN AREA:  
27.0%

SCALE: 1:1



### Rd 6323

PATTERN TYPE:  
Round-Diagonal  
HOLE SIZE:  
6.35mm [.250"]  
% OPEN AREA:  
23.0%

SCALE: 1:1



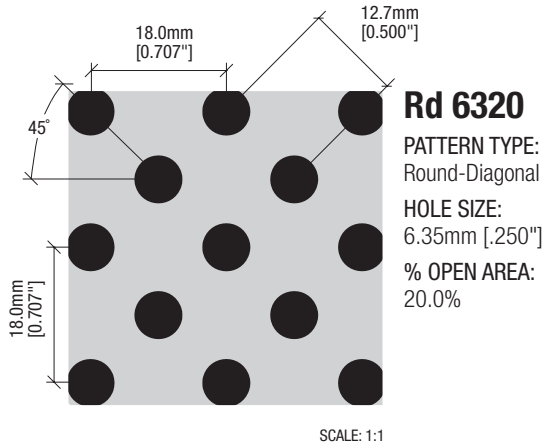
For technical assistance with custom design options and perforations, contact the You Inspire™ Solutions Center at [solutionscenter@armstrongceilings.com](mailto:solutionscenter@armstrongceilings.com)

**Key for Perforation Names (Example: Rg 0701)**  
**Rg** Hole shape (round/straight)  
**07** Diameter of hole size in mm (Example: 0.7 mm)  
**01** % open area

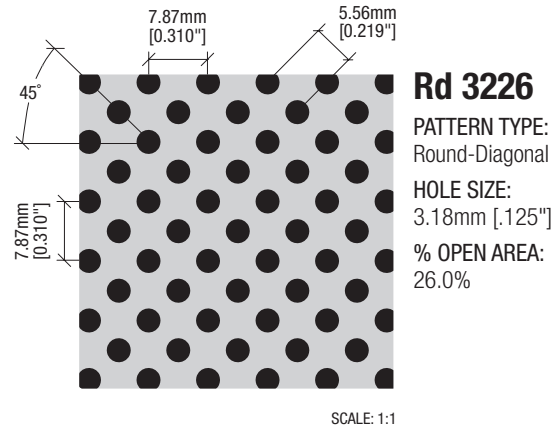
Perforations with an open area greater than 20% may have reduced panel size capabilities.

**Key for Perforation Types**

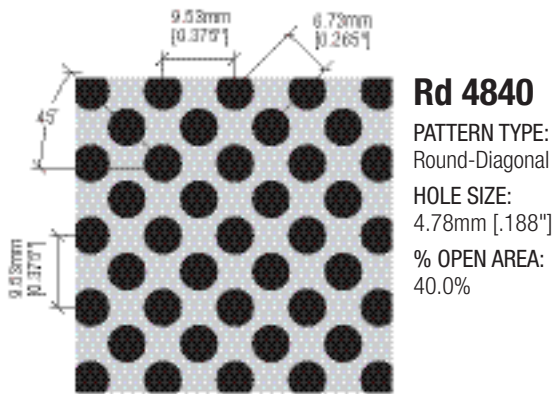
Bg = oblong/straight	Qg = square/straight
Bv = oblong/staggered	Rd = round/diagonal
Lg = rectangle/straight	Rg = round/straight
Lv = rectangle/staggered	Rv = round/staggered
Qd = square/diagonal	



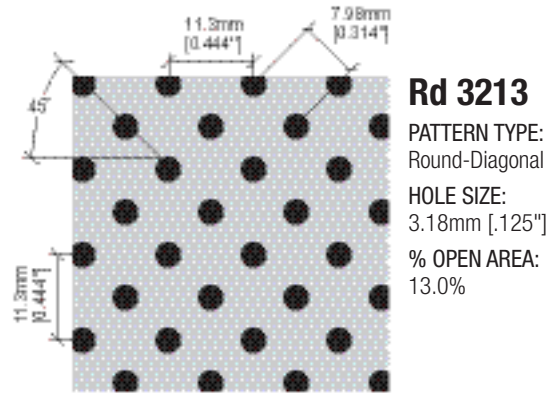
SCALE: 1:1



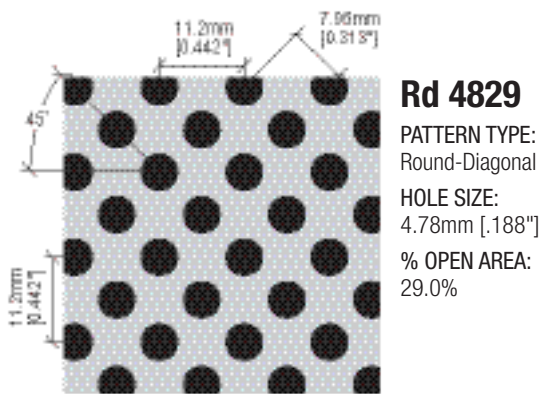
SCALE: 1:1



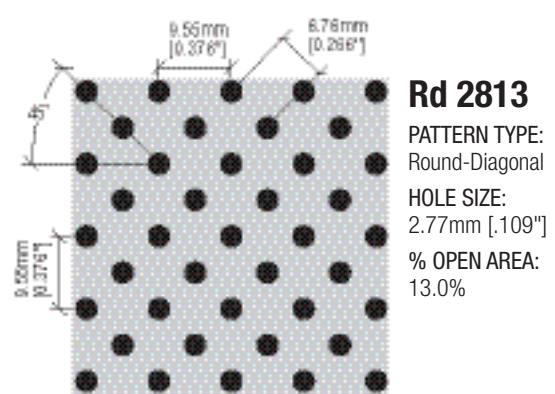
SCALE: 1:1



SCALE: 1:1



SCALE: 1:1

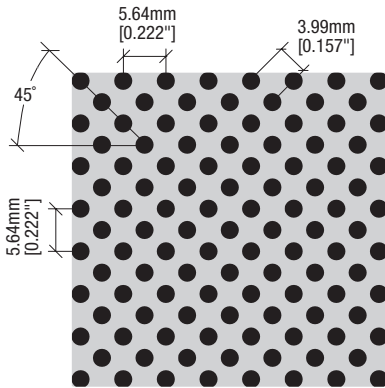


SCALE: 1:1

# METALWORKS™

## Perforation Options for Ceiling and Wall Panels

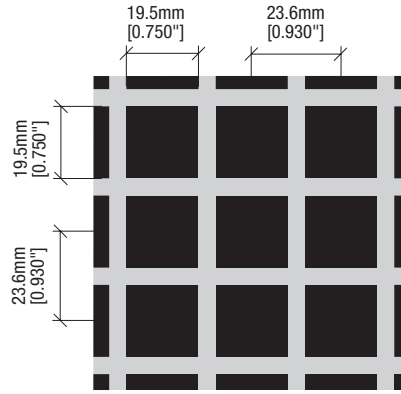
### Custom Perforations



SCALE: 1:1

#### **(M28S) (Rd 2428)**

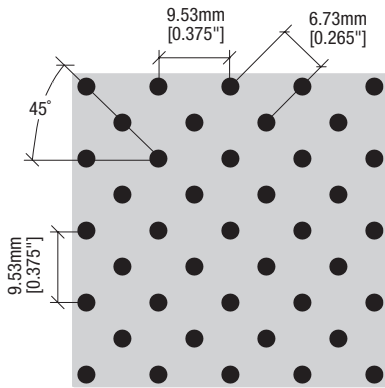
**PATTERN TYPE:**  
Round-Diagonal  
**HOLE SIZE:**  
2.39mm [.094"]  
**% OPEN AREA:**  
28.0%



SCALE: 1:2

#### **Qg 1965**

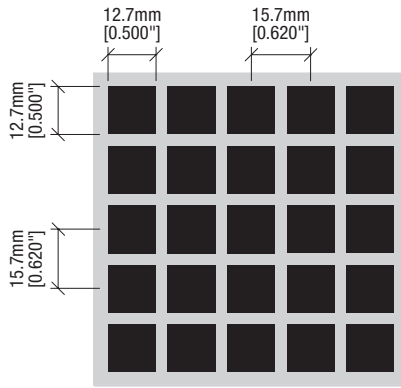
**PATTERN TYPE:**  
Square-Straight  
**HOLE SIZE:**  
19.5mm [.750"] x  
19.5mm [.750"]  
**% OPEN AREA:**  
65.0%



SCALE: 1:1

#### **Rd 2410**

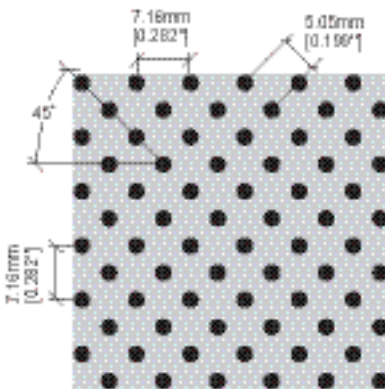
**PATTERN TYPE:**  
Round-Diagonal  
**HOLE SIZE:**  
2.39mm [.094"]  
**% OPEN AREA:**  
10.0%



SCALE: 1:1

#### **Qg 1265**

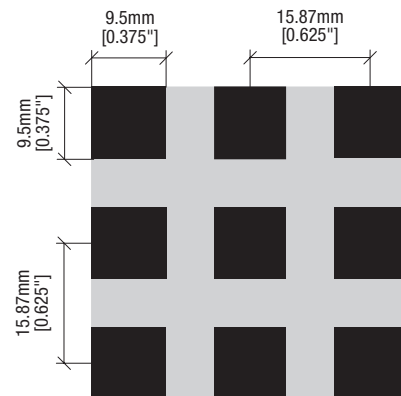
**PATTERN TYPE:**  
Square-Straight  
**HOLE SIZE:**  
12.7mm [.500"] x  
12.7mm [.500"]  
**% OPEN AREA:**  
65.0%



SCALE: 1:1

#### **Rd 1912**

**PATTERN TYPE:**  
Round-Diagonal  
**HOLE SIZE:**  
1.98mm [.078"]  
**% OPEN AREA:**  
12.0%



SCALE: 1:1

#### **(M13S) (Qg 9636)**

**PATTERN TYPE:**  
Square-Straight  
**HOLE SIZE:**  
9.5mm [.375"] x  
9.5mm [.375"]  
**% OPEN AREA:**  
36.0%

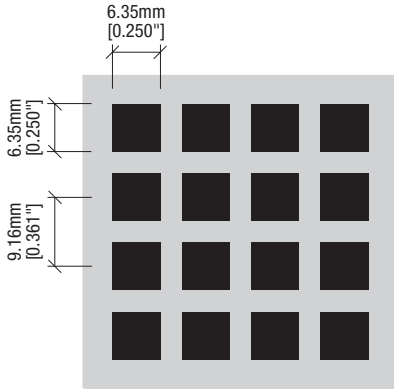
For technical assistance with custom design options and perforations, contact the You Inspire™ Solutions Center at solutionscenter@armstrongceilings.com

**Key for Perforation Names (Example: Rg 0701)**  
**Rg** Hole shape (round/straight)  
**07** Diameter of hole size in mm (Example: 0.7 mm)  
**01** % open area

Perforations with an open area greater than 20% may have reduced panel size capabilities.

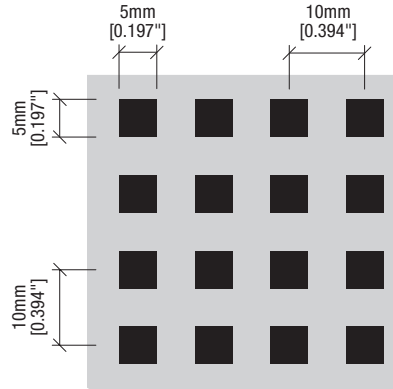
**Key for Perforation Types**

Bg = oblong/straight	Qg = square/straight
Bv = oblong/staggered	Rd = round/diagonal
Lg = rectangle/straight	Rg = round/straight
Lv = rectangle/staggered	Rv = round/staggered
Qd = square/diagonal	



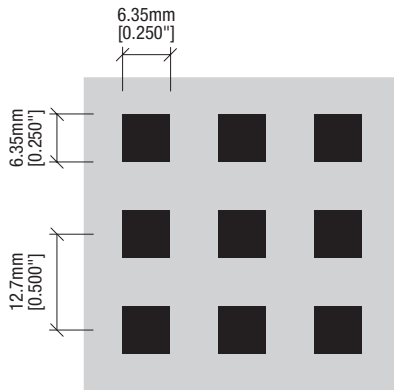
**Qg 6348**  
**PATTERN TYPE:** Square-Straight  
**HOLE SIZE:** 6.35mm [.250"] x 6.35mm [.250"]  
**% OPEN AREA:** 48.0%

SCALE: 1:1



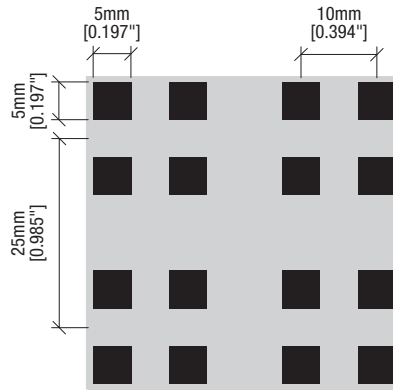
**(M6S) (Qg 5025)**  
**PATTERN TYPE:** Square-Straight  
**HOLE SIZE:** 5mm [.197"] x 5mm [.197"]  
**% OPEN AREA:** 25.0%

SCALE: 1:1



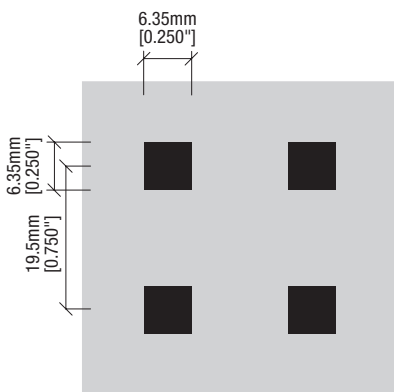
**Qg 6325**  
**PATTERN TYPE:** SQUARE-STRAIGHT  
**HOLE SIZE:** 6.35mm [.250"] x 6.35mm [.250"]  
**% OPEN AREA:** 25.0%

SCALE: 1:1



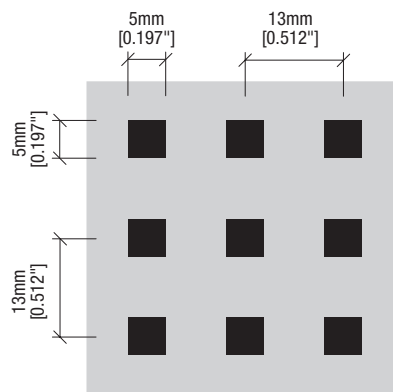
**Qg 5016**  
**PATTERN TYPE:** Square-Straight  
**HOLE SIZE:** 5mm [.197"] x 5mm [.197"]  
**% OPEN AREA:** 16.0%

SCALE: 1:1



**Qg 6311**  
**PATTERN TYPE:** Square-Straight  
**HOLE SIZE:** 6.35mm [.250"] x 6.35mm [.250"]  
**% OPEN AREA:** 11.0%

SCALE: 1:1

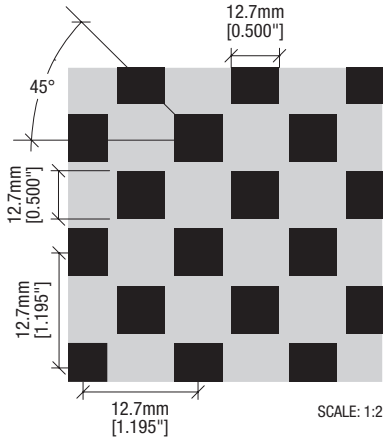


**Qg 5015**  
**PATTERN TYPE:** Square-Straight  
**HOLE SIZE:** 5mm [.197"] x 5mm [.197"]  
**% OPEN AREA:** 15.0%

SCALE: 1:1

# Perforation Options for Ceiling and Wall Panels

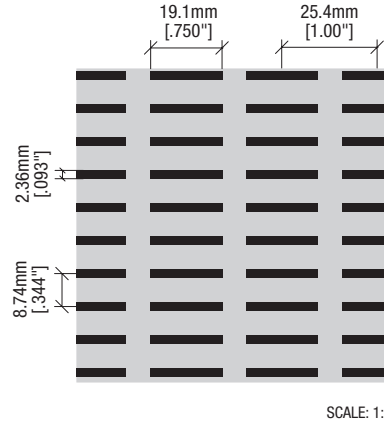
## Custom Perforations



### Qd 1235

**PATTERN TYPE:**  
Square-Diagonal  
**HOLE SIZE:**  
12.7mm [.500"] x  
12.7mm [.500"]  
**% OPEN AREA:**  
35.0%

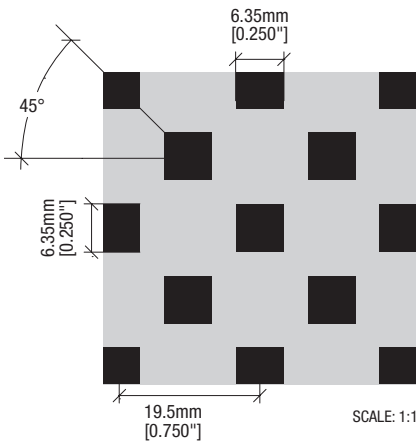
SCALE: 1:2



### Lg 19120

**PATTERN TYPE:**  
Rectangle-Straight  
**HOLE SIZE:**  
2.36mm [.093"] x  
19.1mm [.750"]  
**% OPEN AREA:**  
20.0%

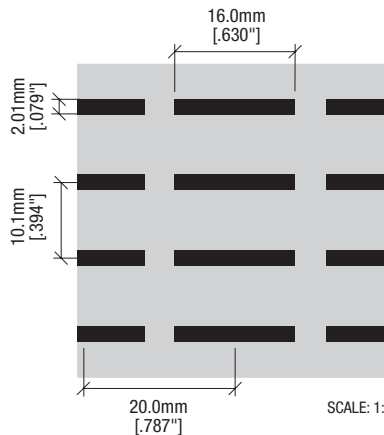
SCALE: 1:2



### Qd 6322

**PATTERN TYPE:**  
Square-Diagonal  
**HOLE SIZE:**  
6.35mm [.250"] x  
6.35mm [.250"]  
**% OPEN AREA:**  
22.0%

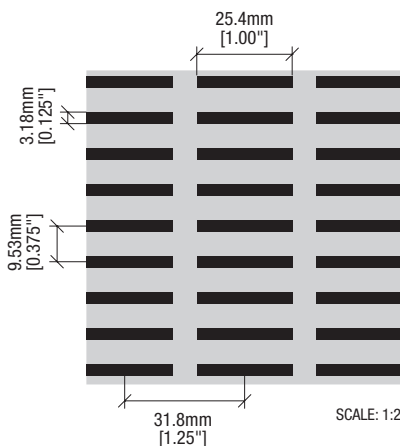
SCALE: 1:1



### Lg 16016

**PATTERN TYPE:**  
Rectangle-Straight  
**HOLE SIZE:**  
2.01mm [.079"] x  
16.0mm [.630"]  
**% OPEN AREA:**  
16.0%

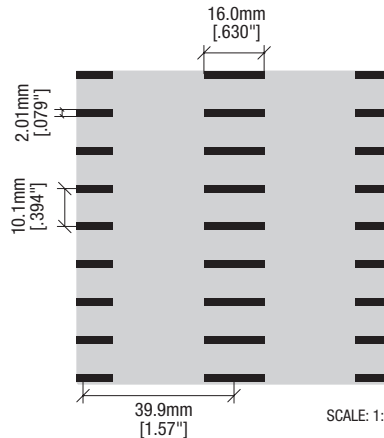
SCALE: 1:1



### Lg 25427

**PATTERN TYPE:**  
Rectangle-Straight  
**HOLE SIZE:**  
3.18mm [.125"] x  
25.4mm [1.00"]  
**% OPEN AREA:**  
27.0%

SCALE: 1:2



### Lg 16008

**PATTERN TYPE:**  
Rectangle-Straight  
**HOLE SIZE:**  
2.01mm [.079"] x  
16.0mm [.630"]  
**% OPEN AREA:**  
8.0%

SCALE: 1:2

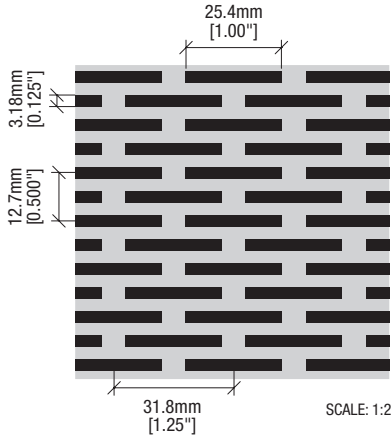
For technical assistance with custom design options and perforations, contact the You Inspire™ Solutions Center at [solutionscenter@armstrongceilings.com](mailto:solutionscenter@armstrongceilings.com)

**Key for Perforation Names (Example: Rg 0701)**  
**Rg** Hole shape (round/straight)  
**07** Diameter of hole size in mm (Example: 0.7 mm)  
**01** % open area

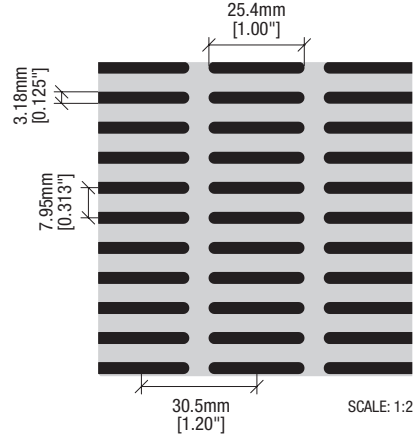
Perforations with an open area greater than 20% may have reduced panel size capabilities.

**Key for Perforation Types**

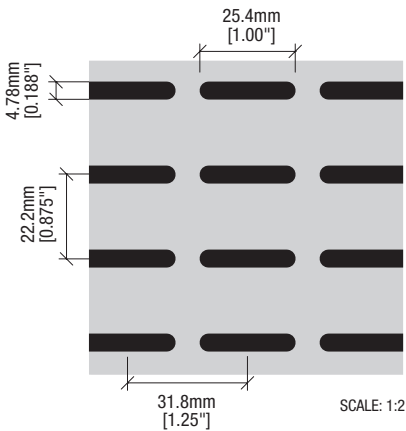
Bg = oblong/straight	Qg = square/straight
Bv = oblong/staggered	Rd = round/diagonal
Lg = rectangle/straight	Rg = round/straight
Lv = rectangle/staggered	Rv = round/staggered
Qd = square/diagonal	



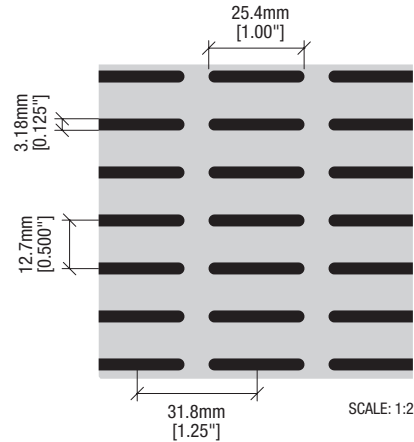
**Lv 25439**  
**PATTERN TYPE:**  
 Rectangle-Staggered  
**HOLE SIZE:**  
 3.18mm [.125"] x  
 25.4mm [1.00"]  
**% OPEN AREA:**  
 39.0%



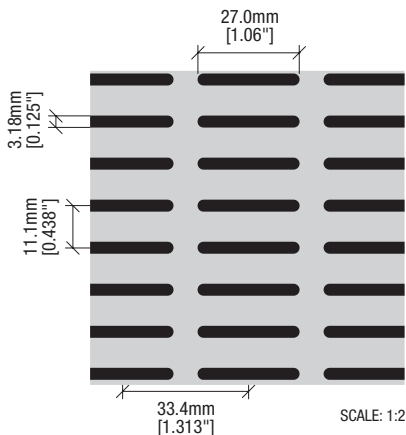
**Bg 25432**  
**PATTERN TYPE:**  
 Oblong-Straight  
**HOLE SIZE:**  
 3.18mm [.125"] x  
 25.4mm [1.00"]  
**% OPEN AREA:**  
 32.0%



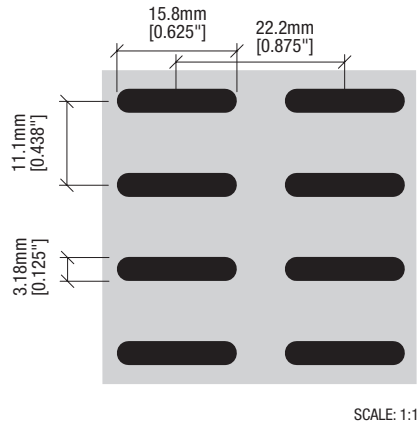
**Bg 25416 (OB 0.188)**  
**PATTERN TYPE:**  
 Oblong-Straight  
**HOLE SIZE:**  
 4.78mm [.188"] x  
 25.4mm [1.00"]  
**% OPEN AREA:**  
 16.0%



**Bg 25419**  
**PATTERN TYPE:**  
 Oblong-Straight  
**HOLE SIZE:**  
 3.18mm [.125"] x  
 25.4mm [1.00"]  
**% OPEN AREA:**  
 19.0%

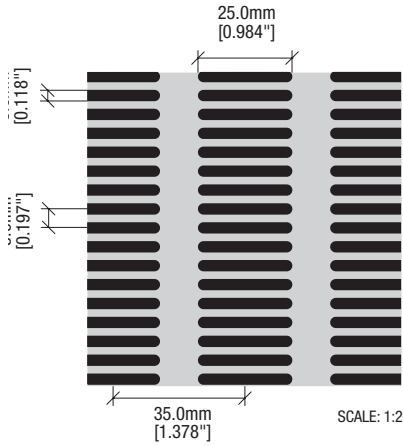


**Bg 27023**  
**PATTERN TYPE:**  
 Oblong-Straight  
**HOLE SIZE:**  
 3.18mm [.125"] x  
 27.0mm [1.06"]  
**% OPEN AREA:**  
 23.0%



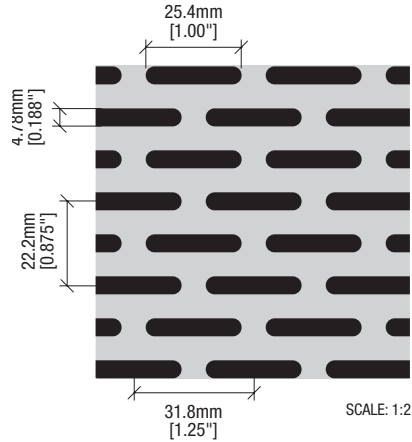
**Bg 15820**  
**PATTERN TYPE:**  
 Oblong-Straight  
**HOLE SIZE:**  
 3.18mm [.125"] x  
 15.8mm [.625"]  
**% OPEN AREA:**  
 20.0%

Custom Perforations



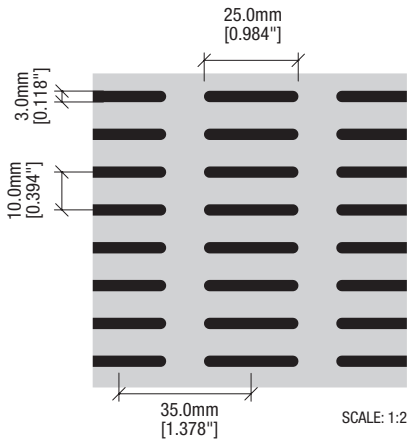
**Bg 25042**

PATTERN TYPE:  
Oblong-Straight  
HOLE SIZE:  
3.0mm [.118"] x  
25.0mm [.984"]  
% OPEN AREA:  
42.0%



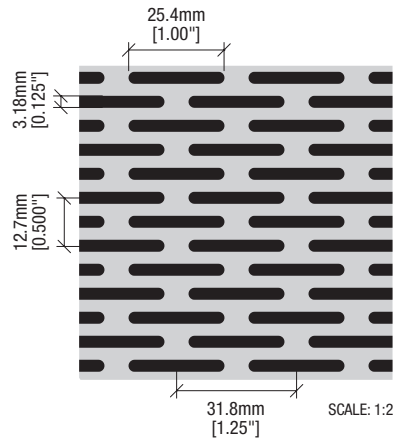
**Bv 25433**

PATTERN TYPE:  
Oblong-Staggered  
HOLE SIZE:  
4.78mm [.188"] x  
25.4mm [1.00"]  
% OPEN AREA:  
33.0%



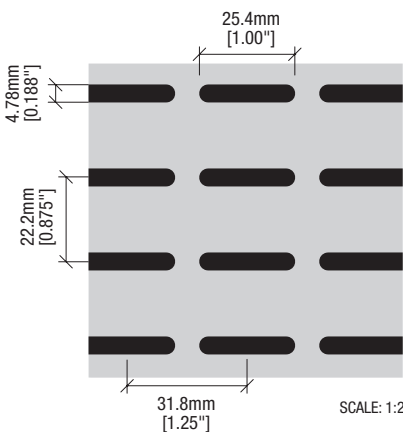
**Bg 25021**

PATTERN TYPE:  
Oblong-Straight  
HOLE SIZE:  
3.0mm [.118"] x  
25.0mm [.984"]  
% OPEN AREA:  
21.0%



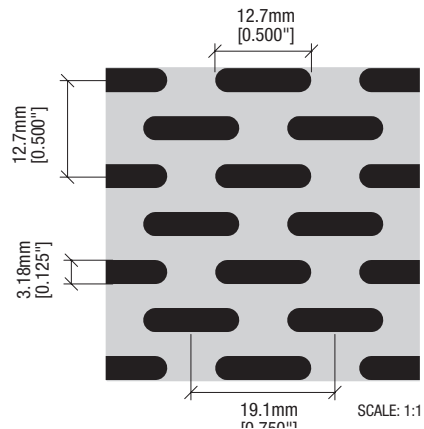
**Bv 25439**

PATTERN TYPE:  
Oblong-Staggered  
HOLE SIZE:  
3.18mm [.125"] x  
25.4mm [1.00"]  
% OPEN AREA:  
39.0%



**Bg 25416 (OB 0.062)**

PATTERN TYPE:  
Oblong-Straight  
HOLE SIZE:  
1.57mm [.062"] x  
25.4mm [1.00"]  
% OPEN AREA:  
16.0%



**Bv 12732**

PATTERN TYPE:  
Oblong-Staggered  
HOLE SIZE:  
3.18mm [.125"] x  
12.7mm [.500"]  
% OPEN AREA:  
32.0%

For technical assistance with custom design options and perforations, contact the You Inspire™ Solutions Center at solutionscenter@armstrongceilings.com

**Key for Perforation Names (Example: Rg 0701)**  
**Rg** Hole shape (round/straight)  
**07** Diameter of hole size in mm (Example: 0.7 mm)  
**01** % open area

Perforations with an open area greater than 20% may have reduced panel size capabilities.

**Key for Perforation Types**  
**Bg** = oblong/straight    **Qg** = square/straight  
**Bv** = oblong/staggered    **Rd** = round/diagonal  
**Lg** = rectangle/straight    **Rg** = round/straight  
**Lv** = rectangle/staggered    **Rv** = round/staggered  
**Qd** = square/diagonal

Perforation Pattern	Maximum Steel Thickness (Gauge / Inches)	Maximum Aluminum Thickness (Gauge / Inches)	Open Area %
Bg 12716	18ga ≈ 0.050	0.05	16
Bg 15819	16ga ≈ 0.063	0.063	19
Bg 15820	18ga ≈ 0.050	0.05	20
Bg 25021	16ga ≈ 0.063	0.063	21
Bg 25042	16ga ≈ 0.063	0.032	42
Bg 25416	22ga ≈ 0.032	0.032	16
Bg 25416	16ga ≈ 0.063	0.063	16
Bg 25419	18ga ≈ 0.050	0.05	19
Bg 25432	20ga ≈ 0.038	0.04	32
Bg 27023	16ga ≈ 0.063	0.063	23
Bv 12732	22ga ≈ 0.032	0.032	32
Bv 25422 (M22)	22ga ≈ 0.032	0.032	22
Bv 25433	16ga ≈ 0.063	0.063	33
Bv 25439	22ga ≈ 0.032	0.032	39
Lg 16008	–	0.063	8
Lg 16016	–	0.063	16
Lg 16032 (M5)	–	0.063	32
Lg 19120	18ga ≈ 0.050	0.05	20
Lg 25420 (M23)	18ga ≈ 0.050	0.05	20
Lg 25427	18ga ≈ 0.050	0.05	27
Lv 25439	22ga ≈ 0.032	0.032	39
Qd 1235	22ga ≈ 0.032	0.032	35
Qd 6322	20ga ≈ 0.038	0.04	22
Qg 1218 (M27)	18ga ≈ 0.050	0.125	18
Qg 1265	22ga ≈ 0.032	0.032	65
Qg 1945 (M25)	14ga ≈ 0.080	0.08	45
Qg 1965	20ga ≈ 0.038	0.04	65
Qg 5015	16ga ≈ 0.063	0.064	15
Qg 5025	20ga ≈ 0.038	0.04	25
Qg 6311	14ga ≈ 0.080	0.08	11
Qg 6325	18ga ≈ 0.050	0.05	25
Qg 6348	22ga ≈ 0.032	0.032	48
Qg 9636	18ga ≈ 0.050	0.05	36
Rd 1139	14ga ≈ 0.080	0.08	39
Rd 1242 (M29)	14ga ≈ 0.080	0.125	42
Rd 1441	14ga ≈ 0.080	0.125	41
Rd 1518 (M2)	22ga ≈ 0.032	0.04	18
Rd 1539	14ga ≈ 0.080	0.125	39
Rd 1607 (M16)	20ga ≈ 0.038	0.04	7
Rd 1612 (M15)	20ga ≈ 0.038	0.04	12
Rd 1820 (M12)	22ga ≈ 0.032	0.04	20
Rd 1905 (M21)	20ga ≈ 0.038	0.04	5
Rd 1912	18ga ≈ 0.050	0.05	12
Rd 2410	16ga ≈ 0.063	0.063	10
Rd 2428	22ga ≈ 0.032	0.032	28
Rd 2813	16ga ≈ 0.063	0.063	13
Rd 3210 (M18)	14ga ≈ 0.080	0.08	10
Rd 3213	14ga ≈ 0.080	0.08	13
Rd 3226	16ga ≈ 0.063	0.04	26
Rd 3239 (M24)	22ga ≈ 0.032	0.032	39
Rd 4829	18ga ≈ 0.050	0.05	29

Perforation Pattern	Maximum Steel Thickness (Gauge / Inches)	Maximum Aluminum Thickness (Gauge / Inches)	Open Area %
Rd 4840	22ga ≈ 0.032	0.032	40
Rd 6320	14ga ≈ 0.080	0.08	20
Rd 6323	14ga ≈ 0.080	0.08	23
Rd 6339	18ga ≈ 0.050	0.05	39
Rd 6350	22ga ≈ 0.032	0.04	50
Rd 7927	14ga ≈ 0.080	0.08	27
Rd 7944	20ga ≈ 0.038	0.04	44
Rd 9609	14ga ≈ 0.080	0.125	9
Rd 9617	14ga ≈ 0.080	0.125	17
Rd 9622	14ga ≈ 0.080	0.125	22
Rg 0701 (M3)	24ga = 0.027	–	1
Rg 1120	14ga ≈ 0.080	0.08	20
Rg 1421 (M26)	14ga ≈ 0.080	0.125	21
Rg 1502	–	0.04	2
Rg 1520	14ga ≈ 0.080	0.125	20
Rg 1602	20ga ≈ 0.038	0.04	2
Rg 1604 (M16S)	20ga ≈ 0.038	0.04	4
Rg 1606	20ga ≈ 0.038	0.04	6
Rg 1810	20ga ≈ 0.038	0.04	10
Rg 1902	20ga ≈ 0.038	0.04	2
Rg 1906	18ga ≈ 0.050	0.05	6
Rg 1924	18ga ≈ 0.050	0.05	24
Rg 2405	16ga ≈ 0.063	0.063	5
Rg 2414	16ga ≈ 0.063	0.063	14
Rg 2420	–	0.063	20
Rg 2516 (M10)	18ga ≈ 0.050	0.05	16
Rg 2807	16ga ≈ 0.063	0.063	7
Rg 3205 (M14)	14ga ≈ 0.080	0.08	5
Rg 3206	14ga ≈ 0.080	0.08	6
Rg 3213	16ga ≈ 0.063	0.08	13
Rg 3220 (M19)	18ga ≈ 0.050	0.05	20
Rg 3225	20ga ≈ 0.038	0.04	25
Rg 4814	14ga ≈ 0.080	0.125	14
Rg 4820	16ga ≈ 0.063	0.08	20
Rg 6311	14ga ≈ 0.080	0.125	11
Rg 6320	14ga ≈ 0.080	0.08	20
Rg 6325	14ga ≈ 0.080	0.08	25
Rg 7914	14ga ≈ 0.080	0.125	14
Rg 7922	14ga ≈ 0.080	0.125	22
Rg 9605	14ga ≈ 0.080	0.125	5
Rg 9609	14ga ≈ 0.080	0.125	9
Rg 9611	14ga ≈ 0.080	0.125	11
Rg 9618	14ga ≈ 0.080	0.125	18
Rv 2423	20ga ≈ 0.038	0.04	23
Rv 3020 (M95)	16ga ≈ 0.063	0.063	20
Rv 3223 (M17)	18ga ≈ 0.050	0.05	23
Rv 4058 (M4)**	24ga ≈ 0.027	0.063	58
Rv 4823	14ga ≈ 0.080	0.08	23
Rv 6323	14ga ≈ 0.080	0.08	23
Rv 6330	14ga ≈ 0.080	0.08	30
Rv12763	14ga ≈ 0.080	0.125	63

\*\* Maximum panel size 24 x 60". No acoustical fleece available.

# TAKE THE NEXT STEP

## 1 877 276 7876

Customer Service Representatives  
7:45 a.m. to 5:00 p.m. EST  
Monday through Friday

**TechLine** – Technical information, detail drawings,  
CAD design assistance, installation information,  
other technical services – 8:00 a.m. to 5:30 p.m. EST,  
Monday through Friday. FAX 1 800 572 8324  
or email: [techline@armstrongceilings.com](mailto:techline@armstrongceilings.com)

## [armstrongceilings.com/commercial](http://armstrongceilings.com/commercial)

Latest product news  
Standard and custom product information  
Online catalog  
CAD, Revit®, SketchUp® files  
A Ceiling for Every Space® Visual Selection Tool  
Product literature and samples – express service  
or regular delivery  
Contacts – reps, where to buy, who will install

## YOU INSPIRE™ SOLUTIONS CENTER

email: [solutionscenter@armstrongceilings.com](mailto:solutionscenter@armstrongceilings.com)  
[armstrongceilings.com/youinspire](http://armstrongceilings.com/youinspire)

### Design Assistance

Collaborative design  
Detail drawings  
Specifications  
Planning and budgeting

### Pre-construction Assistance

Layout drawings for standard  
and premium products  
Project installation recommendations  
Contractor installation assistance

**you inspire™**  
solutions center

helping to bring your one-of-a-kind ideas to life

Revit® is a registered trademark of Autodesk, Inc.; SketchUp® is a registered trademark of Trimble, Inc.  
All other trademarks used herein are the property of AWI Licensing LLC and/or its affiliates  
© 2021 AWI Licensing LLC Printed in the United States of America

[armstrongceilings.com/metalworks](http://armstrongceilings.com/metalworks)

On the cover: ►  
MetalWorks™ Torsion Spring,  
Kettle Moraine School District, Delafield, WI,  
Eppstein Uhen Architects, Milwaukee, WI

**Armstrong®**  
CEILING & WALL SOLUTIONS