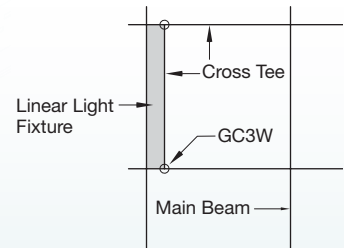
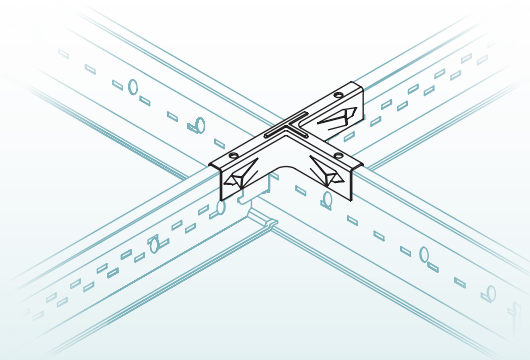
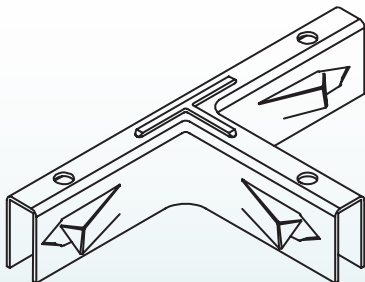


The Right Clips

Can Save You Time and Money

GC3W – Grid Clip 3-Way



What it does

Allows you to quickly attach cut cross tees to main beams via integral locking barbs without any pop rivets or screws.

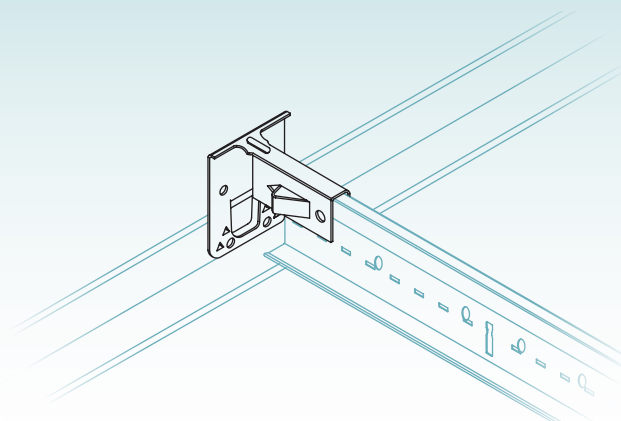
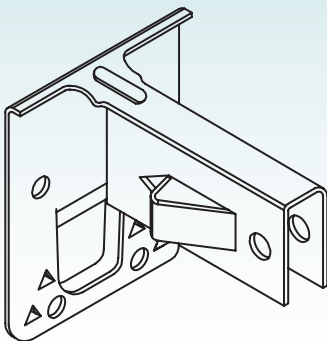
Why you need it

Makes it faster and easier to attach cut cross tees to main beams on installations with odd sized light fixtures or air diffusers; especially useful with Armstrong exposed tee suspension systems such as Prelude® or Suprafine®.



Watch the Video!

GCWA – Grip Clip Wall Attachment



What it does

Allows you to join any main beam or cross tee to a wall molding via integral locking barbs without any pop rivets or screws.

Why you need it

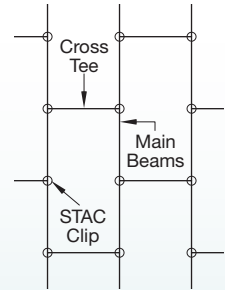
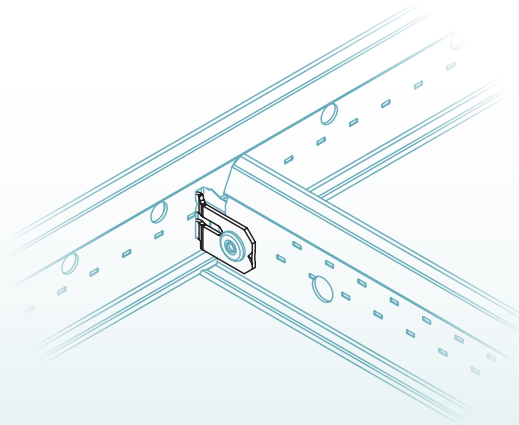
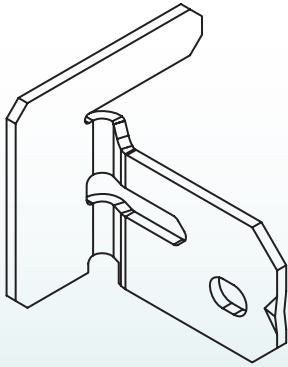
Eliminates visible fastening of cross tees or main beams to a wall molding for an improved finished visual.



Watch the Video!

FASTER. EASIER. BETTER.

STAC – Single Tee Adapter Clip



What it does

Allows you to strong, code compliant non-seismic and seismic C, D, E, F off-module main beam to cross tee connections.

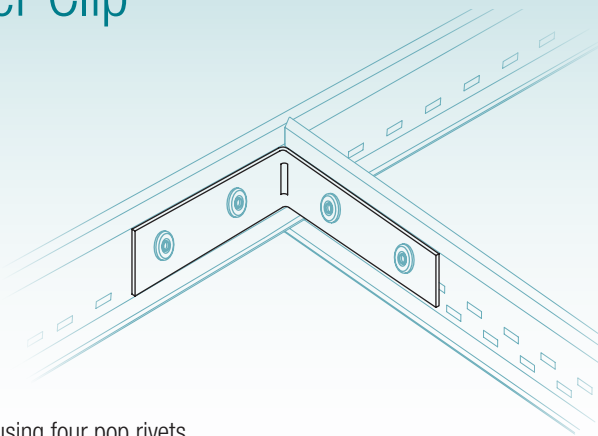
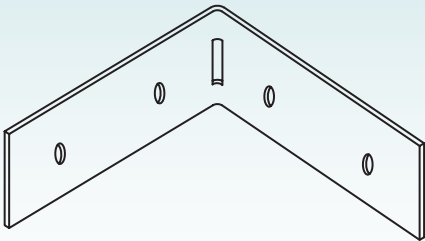
Why you need it

Helps you keep staggered or off-module suspension system layouts tight, square, and code compliant compared to butterflyed cross tee ends.



Watch the Video!

XTAC – Cross Tee Adapter Clip



What it does

Allows you to attach field cut cross tees to main beams using four pop rivets.

Why you need it

Helps you create strong, code compliant seismic C, D, E, F main beam to cut cross tee connections; especially useful with any Armstrong dimensional suspension system such as Interlude® or Sonata®.

TWITTER



[twitter.com/
ArmstrongCIS](https://twitter.com/ArmstrongCIS)

FACEBOOK



[facebook.com/
armstronginstallation
systems](https://facebook.com/armstronginstallation
systems)

YOUTUBE



[youtube.com/
armstrongceilings](https://youtube.com/
armstrongceilings)