

GRG
CAST
STONE
GFRC
FRP

PLASTERFORM™

PLASTER FORM™ Architectural Castings

From unexpected architectural details to more practical applications, Plasterform™ architectural castings offer a broad range of materials to address design needs.

Plasterform castings are available for interior and exterior use, and they're lightweight, yet strong, durable, and easy to install.

We have assembled an extensive number of standard molds and this catalog has been produced to help you choose the right mold for your project.

Plasterform™ GRG custom wall panels;
U.S. Census Bureau Headquarters, Suitland, MD;
Skidmore, Owings & Merrill LLP ▶



8
COLUMNS



30
MOLDINGS



45
CEILINGS

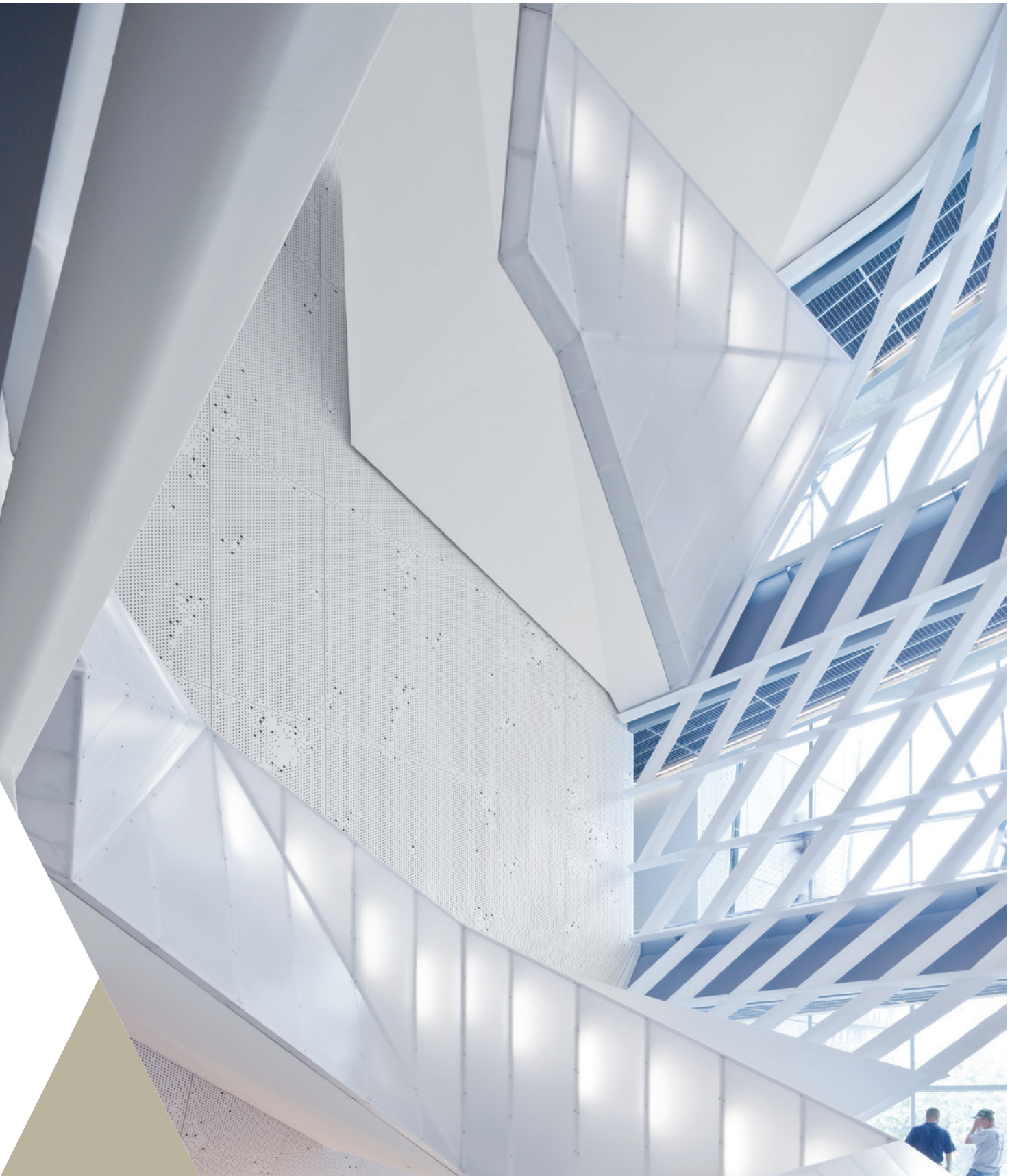


67
WALLS



72
ORNAMENTAL
DETAILS





▲ Plasterform™ GRG randomly perforated sound-absorbing panels; The Cooper Union, New York, NY; Morphosis

CONTENTS

| | |
|----------------------------------|-----------|
| GENERAL INFORMATION | 6 |
| PRODUCT MATERIALS | 7 |
| COLUMNS | 8 |
| Installation Details | 10 |
| Cylindrical | 12 |
| Recessed | 13 |
| Elliptical | 14 |
| Conical | 14 |
| Tuscan | 15 |
| Greek Doric | 16 |
| Square & Octagonal | 17 |
| Custom | 18 |
| Fluted Shafts | 24 |
| Capitals & Bases | 25 |
| MOLDINGS | 30 |
| Installation Details | 32 |
| Cornice / Light Trough | 34 |
| Light Cove | 41 |
| Trim | 42 |
| CEILING | 45 |
| Installation Details | 46 |
| Domes | 47 |
| Vaults | 58 |
| Coffers | 60 |
| Access Panels | 65 |
| Beams | 66 |
| WALLS | 67 |
| Panels | 68 |
| Niches | 69 |
| Pediments | 70 |
| ORNAMENTAL DETAILS | 72 |
| Brackets & Corbels | 74 |
| Finials | 75 |
| Cupolas & Steeples | 76 |
| Domes | 78 |
| INDEX | 79 |



GENERAL INFORMATION

This catalog showcases the molds we have readily available. In selecting from these molds, tooling costs will be reduced and deliveries expedited.

The following should be considered when specifying or ordering products from this catalog:

1. Materials Available

GRG – Glass Fiber Reinforced Gypsum

- Interior
- Requires field taping and finishing

CAST STONE – Interior Molded Stone (IMS)

- Interior
- Prefinished simulated stone
- Requires joint caulking or grouting or exposed joints

GFRC – Glass Fiber Reinforced Concrete

- Exterior paint grade or prefinished
- Requires joint caulking

FRP – Glass Fiber Reinforced Polyester Resin

- Exterior
- Interior
- Requires joint caulking and field finishing

2. When specifying a mold, enter shape number followed by product material and color.

3. All bids must be factory prepared since product material, quantities, speed of delivery, project location, and availability of molds will influence the final price.

4. Shop drawings will be submitted for approval on all projects.

5. Products are not stocked. All components are fabricated only after order and approvals are received.

6. Moldings and Light Coves are generally interchangeable.

7. Where curved shapes are required, custom molds are required.

8. Rarely can the shapes shown be extended. However, it is, at times, possible to use only part of a mold.

9. Contact factory to verify availability of molds, as they can deteriorate due to use.

10. Detailed drawings are available on our website at armstrongceilings.com/plasterform



PRODUCT MATERIALS

GRG

Glass Fiber Reinforced Gypsum (GRG) is a composite consisting of alpha gypsum cement and water, reinforced with glass fibers – an ideal choice as an economical, lightweight, and durable replacement for traditional plaster.

GRG can be effectively used to create columns, domes, vaults, coffers, light coves, moldings, and much more.

CAST STONE

Cast Stone is an interior molded stone (IMS) composite consisting of alpha gypsum cement, pigment, aggregate, water, and polymers.

Cast Stone can recreate the look of natural stone for interior use in columns, cornice, trim, demising piers, flat panels, pediments, door surrounds, fireplaces, and more. It is available in 12 standard colors and custom colors. Before leaving the factory, a clear sealer with a satin finish is applied.

GFRC

Glass Fiber Reinforced Concrete (GFRC) is a lightweight composite consisting of Portland™ cement, sand, aggregates, alkali-resistant fiber, polymer, additives, and water. Glass fibers reinforce the product, resulting in a much stronger material than normal concrete.

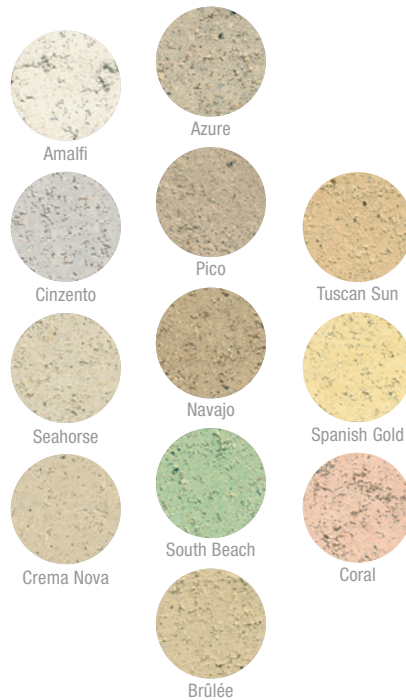
It is typically an exterior product, but can also be used for interior applications. GFRC can be integrally colored or paint grade. It is available in 12 standard colors and custom colors. GFRC can be used for columns, cornices, friezes, wall panels, domes, finials, pediments, balustrades, and more.

FRP

Glass Fiber Reinforced Polyester Resin (FRP) is a composite consisting of gelcoat, polyester resin, and glass fibers. The resin is a byproduct of oil, natural gas, sand, and other minerals.

FRP is an exterior product and can be made into shapes such as columns, cornices, domes, panels, planters, and cupolas.

CAST STONE STANDARD COLORS



GFRC STANDARD COLORS



Due to printing limitations, shade may vary from actual product



▲ Plasterform™ FRP themed columns; St. Helena Elementary School, Beaufort, SC; Goforth Brown & Associates

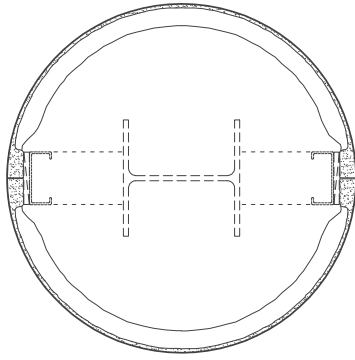
COLUMNS

Make a bold impression with Plasterform™ columns. Materials can be customized to most shapes, sizes, or finishes to give your columns just the right look to fit your architectural style. Recreate the visual of natural stone for columns that will stand the test of time.

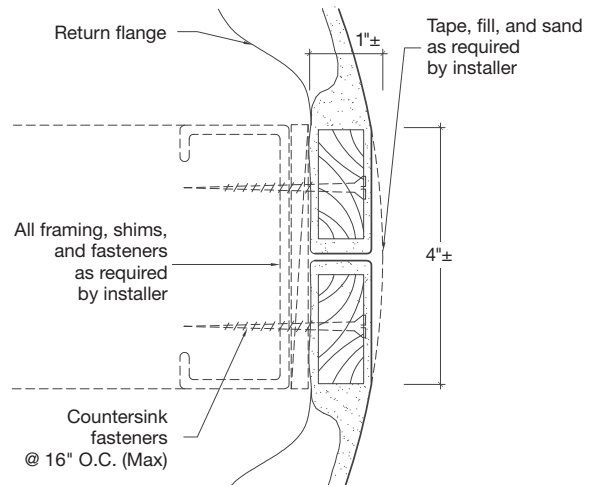




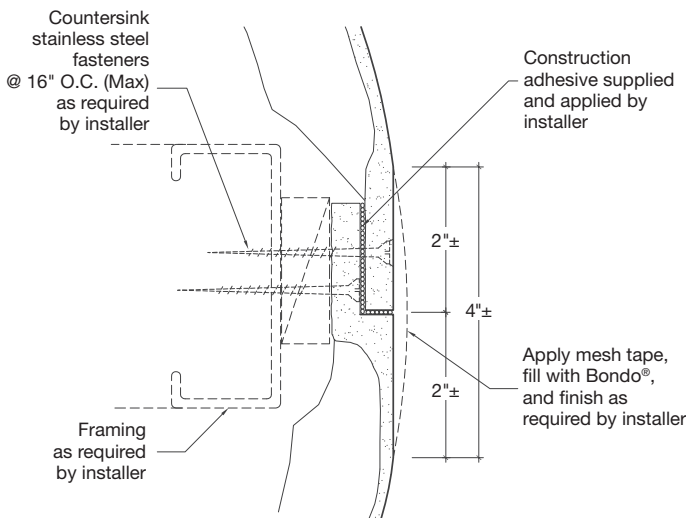
▲ Plasterform™ GRG custom backlit columns; Harrah's Casino, Joliet, IL; Hnedak Bobo Group and Friedmutter Group



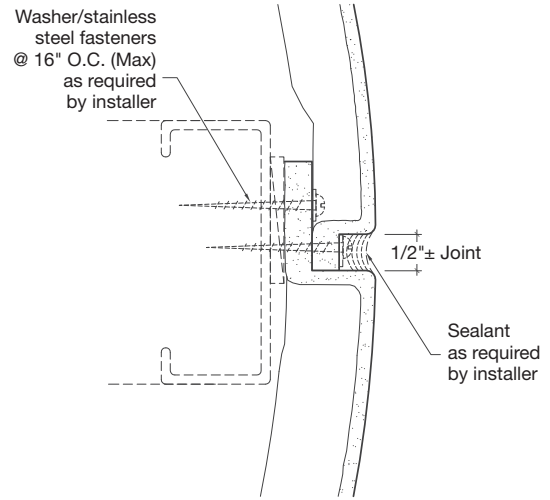
Plan View of Column



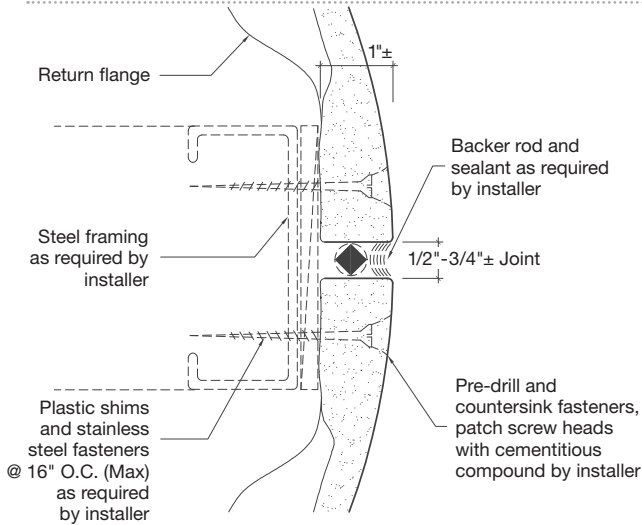
GRG Column Joint



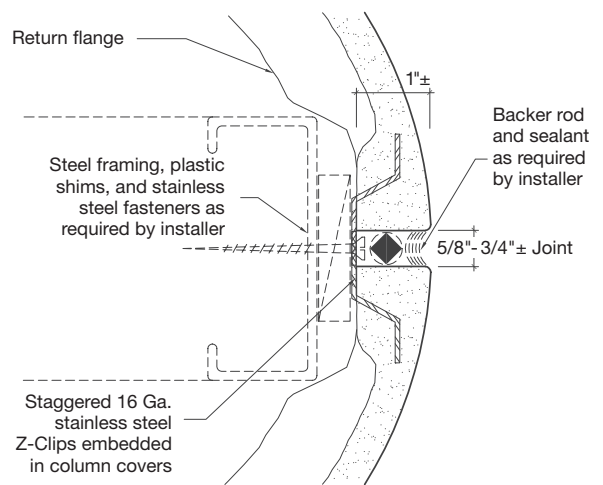
FRP Column Joint – Monolithic



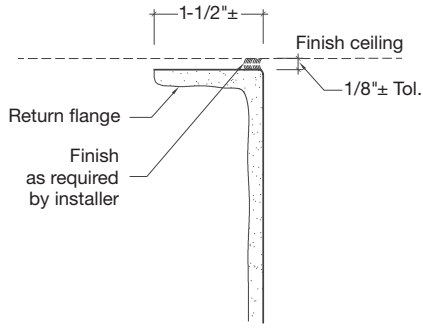
FRP Column Joint – Sealant



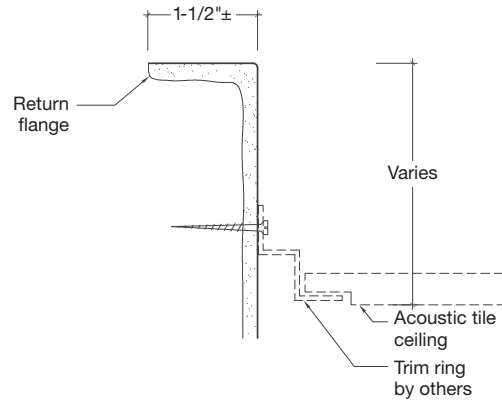
Unfinished GFRC Column Joint



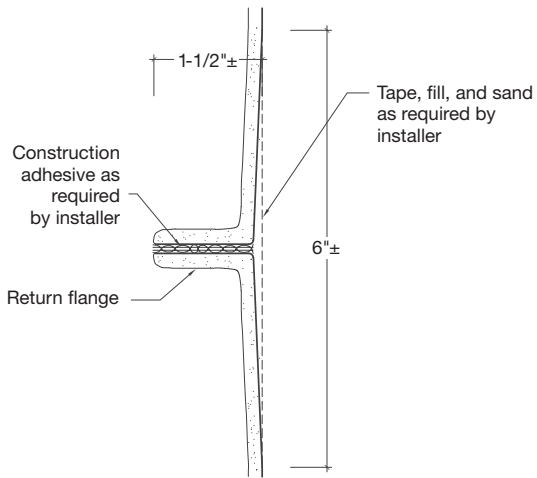
Prefinished GFRC and Cast Stone Column Joint



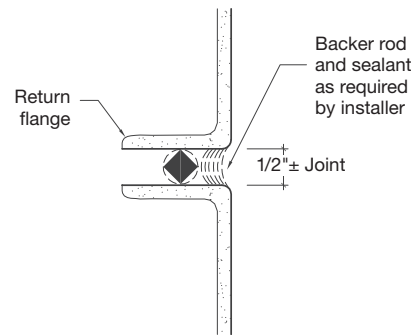
Column Section at Drywall Ceiling



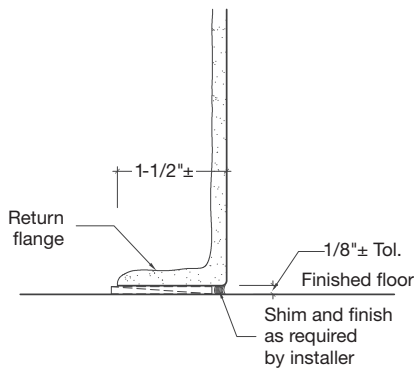
Column Section at Acoustic Tile Ceiling



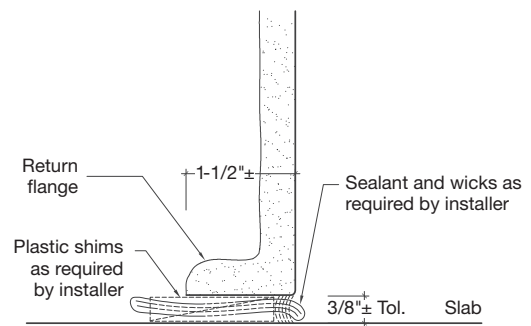
GRG Column Stacking Detail



Stacking Detail – Sealant



Interior Column Section at Floor



Exterior Column Section at Slab

CYLINDRICAL



| MODEL NO. | DIAMETER | MODEL NO. | DIAMETER | MODEL NO. | DIAMETER |
|-----------|----------|-----------|----------|-----------|----------|
| PF-1006 | 6" | PF-1022 | 22" | PF-1036 | 36" |
| PF-1008 | 8" | PF-1023 | 23" | PF-1038 | 38" |
| PF-1010 | 10" | PF-1024 | 24" | PF-1040 | 40" |
| PF-1012 | 12" | PF-1026 | 26" | PF-1042 | 42" |
| PF-1013 | 13" | PF-1027 | 27" | PF-1044 | 44" |
| PF-1014 | 14" | PF-1028 | 28" | PF-1048 | 48" |
| PF-1015 | 15" | PF-1029 | 29" | PF-1050 | 50" |
| PF-1016 | 16" | PF-1030 | 30" | PF-1052 | 52" |
| PF-1018 | 18" | PF-1032 | 32" | PF-1060 | 60" |
| PF-1019 | 19" | PF-1033 | 33" | PF-1064 | 64" |
| PF-1020 | 20" | PF-1034 | 34" | | |
| PF-1021 | 21" | PF-1035 | 35" | | |

| MODEL NO. | DIAMETER |
|-----------|----------|
| PF-1006R | 6" |
| PF-1008R | 8" |
| PF-1010R | 10" |
| PF-1012R | 12" |
| PF-1013R | 13" |
| PF-1014R | 14" |
| PF-1015R | 15" |
| PF-1016R | 16" |
| PF-1018R | 18" |
| PF-1019R | 19" |
| PF-1020R | 20" |
| PF-1021R | 21" |
| PF-1022R | 22" |
| PF-1023R | 23" |
| PF-1024R | 24" |
| PF-1026R | 26" |
| PF-1027R | 27" |
| PF-1028R | 28" |
| PF-1029R | 29" |
| PF-1030R | 30" |
| PF-1032R | 32" |
| PF-1033R | 33" |
| PF-1034R | 34" |
| PF-1035R | 35" |
| PF-1036R | 36" |
| PF-1038R | 38" |
| PF-1040R | 40" |
| PF-1042R | 42" |
| PF-1044R | 44" |
| PF-1048R | 48" |
| PF-1050R | 50" |
| PF-1052R | 52" |
| PF-1060R | 60" |
| PF-1064R | 64" |



ELLIPTICAL



| MODEL NO. | MAJOR AXIS | MINOR AXIS |
|-----------|------------|------------|
| PF-4218 | 18" | 12" |
| PF-4222 | 22" | 15" |
| PF-4224 | 24" | 16" |
| PF-4230 | 30" | 20" |
| PF-4236 | 36" | 24" |
| PF-4242 | 42" | 28" |
| PF-4248 | 48" | 32" |

CONICAL

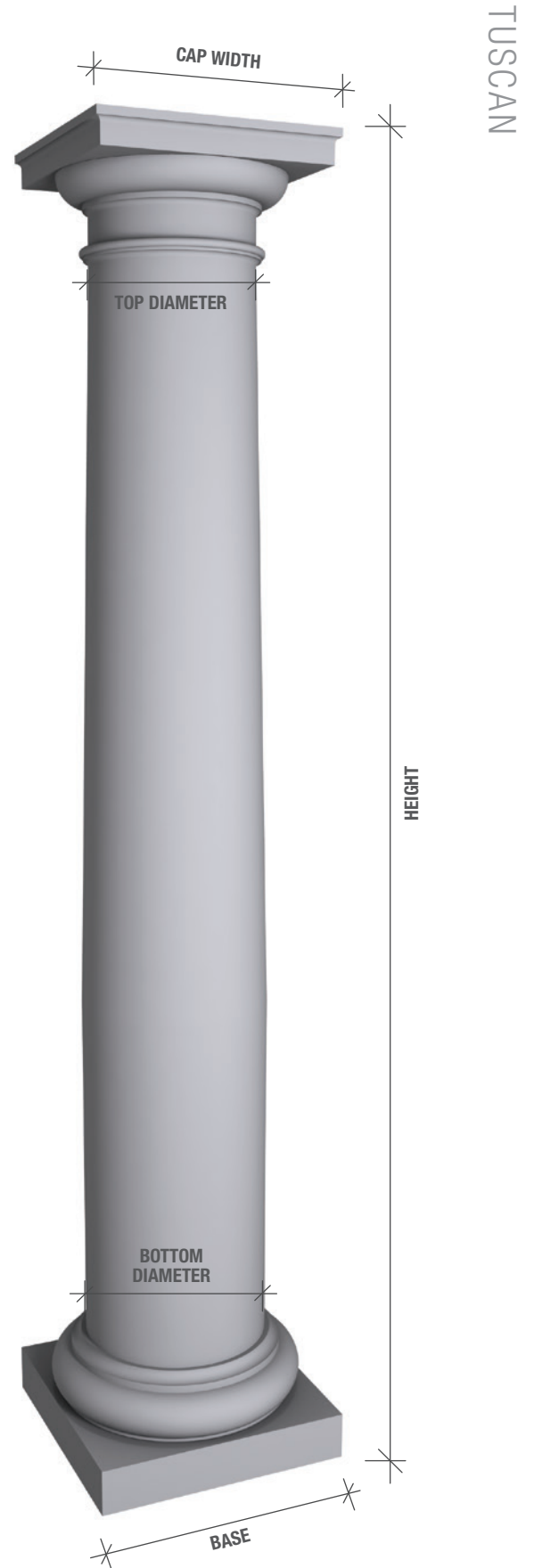
| MODEL NO. | TOP DIAMETER | BOTTOM DIAMETER | MAXIMUM HEIGHT |
|-----------|--------------|-----------------|----------------|
| PF-4025 | 27" | 18" | 7' 2-3/8" |
| PF-4032 | 24" | 12" | 7'-4" |
| PF-4033 | 27-1/2" | 18" | 9'-6" |
| PF-4065 | 34" | 18-1/2" | 7'-4" |
| PF-4068 | 20" | 10" | 9'-0" |
| PF-4069 | 24" | 15" | 7' 2-3/8" |
| PF-4070 | 25" | 15" | 10'-0" |
| PF-4071 | 27" | 15" | 10'-0" |
| PF-4072 | 36" | 18" | 10'-0" |



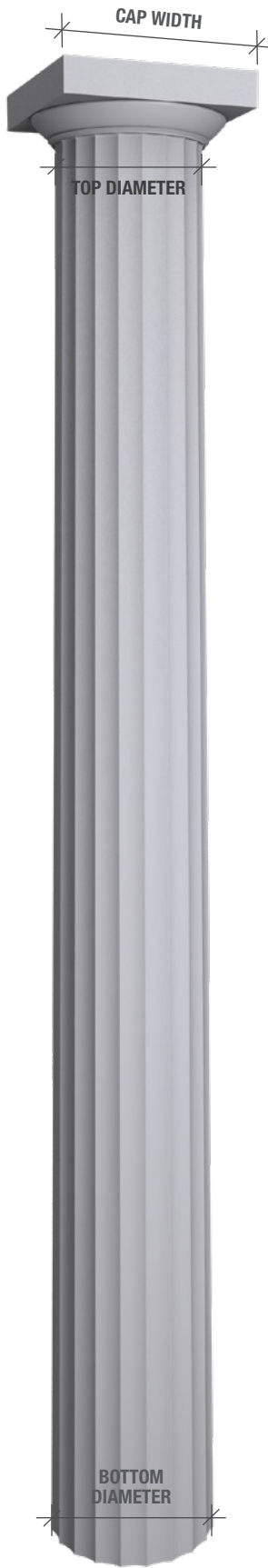


▲ Plasterform™ FRP tuscan columns; Marsh's Edge, St. Simons Island, GA

| MODEL NO. | BOTTOM DIAMETER | TOP DIAMETER | HEIGHT | BASE | CAP WIDTH |
|-----------|-----------------|--------------|-----------------|---------|-----------|
| PF-2043 | 10" | 8-1/2" | 7' 0" – 9' 0" | 13-3/8" | 12-1/2" |
| PF-2030 | 10" | 9" | 5' 6" – 6' 0" | 13-3/8" | 13" |
| PF-2007 | 12" | 10" | 4' 6" – 6' 0" | 16-3/8" | 15-1/4" |
| PF-2041 | 12" | 10" | 7' 0" – 12' 0" | 16-3/4" | 15-1/2" |
| PF-2019 | 14" | 12" | 5' 0" – 8' 0" | 18-3/8" | 17-1/4" |
| PF-2019E | 14" | 12" | 8' 0" – 12' 0" | 18-3/8" | 17-1/4" |
| PF-2013A | 16" | 13-5/8" | 7' 0" – 13' 0" | 21-1/2" | 20-1/8" |
| PF-2008 | 18" | 15" | 8' 0" – 15' 0" | 25" | 22-1/2" |
| PF-2003 | 18" | 16" | 9' 0" – 12' 0" | 25" | 22-1/2" |
| PF-2050 | 20" | 17" | 8' 0" – 15' 0" | 27" | 25" |
| PF-2112 | 20" | 18" | 7' 6" – 9' 6" | 26-1/2" | 24-1/2" |
| PF-2070 | 22-5/8" | 18-7/8" | 8' 0" – 12' 0" | 30" | 28" |
| PF-2015 | 24" | 20" | 9' 0" – 15' 0" | 32-1/2" | 30" |
| PF-2079 | 25" | 22" | 8' 0" – 12' 0" | 33-3/4" | 33" |
| PF-2101 | 27" | 24" | 11' 0" – 15' 6" | 36-1/4" | 35" |
| PF-2109 | 28" | 24" | 12' 0" – 14' 0" | 37-1/2" | 36" |
| PF-2105 | 30" | 25" | 11' 0" – 15' 0" | 44" | 35-3/4" |
| PF-2132 | 32" | 27" | 12' 0" – 16' 0" | 44" | 40" |
| PF-2086 | 36" | 30" | 17' 0" – 23' 0" | 48" | 44-1/8" |
| PF-2120 | 42" | 35" | 17' 0" – 25' 0" | 56" | 52-1/2" |
| PF-2053 | 42" | 36" | 17' 0" – 36' 0" | 57-1/2" | 53" |
| PF-2122 | 48" | 40" | 22' 0" – 35' 0" | 64" | 60" |



GREEK DORIC



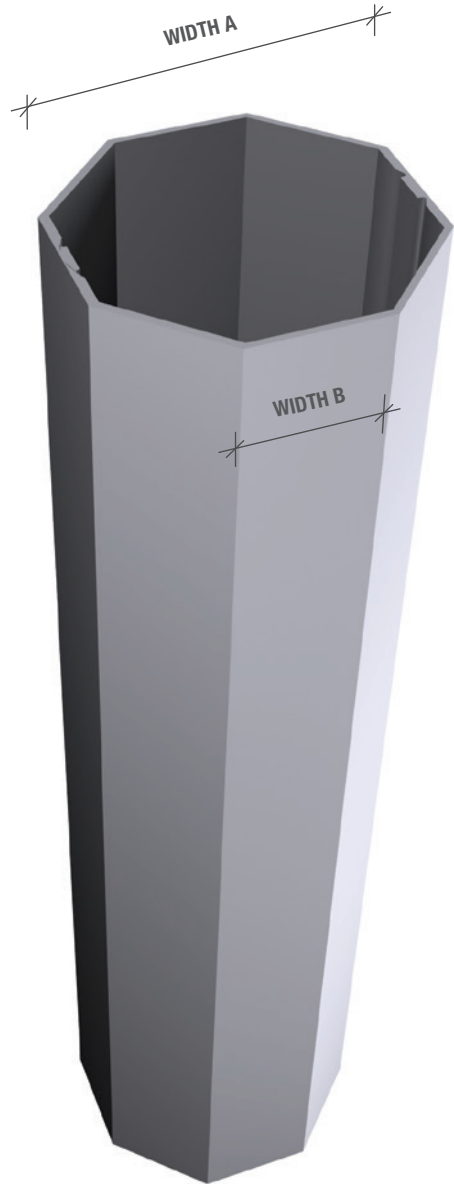
| MODEL NO. | BOTTOM DIAMETER | TOP DIAMETER | HEIGHT | CAP WIDTH |
|-----------|-----------------|--------------|------------|-----------|
| PF-4401 | 14" | 11" | 8' 11-3/8" | 15-3/16" |
| PF-4402 | 16" | 12-3/4" | 11' - 3" | 16-15/16" |
| PF-4403 | 18" | 14-1/8" | 5' 7-3/8" | 19-1/2" |
| PF-4404 | 18" | 14-1/8" | 10' 7-3/8" | 20-1/2" |
| PF-4405 | 30" | 25" | 8' 11-1/2" | 34" |
| PF-4406 | 42" | 34" | 26' 7-3/8" | 48" |

SQUARE



| MODEL NO. | WIDTH |
|-----------|-------|
| PF-4440 | 16" |
| PF-4441 | 20" |
| PF-4442 | 24" |

OCTAGONAL



| MODEL NO. | WIDTH A | WIDTH B |
|-----------|---------|---------|
| PF-4450 | 20" | 8-1/4" |
| PF-4451 | 24-1/2" | 10-1/4" |
| PF-4452 | 32" | 13-1/2" |

CUSTOM



PF-4002 | 38" \varnothing x 9' 4-3/8" H



▲ Plasterform™ GFRC columns and cornices, and FRP signage and scrolls; Star Theatres, Various U.S. locations; FTC&H



PF-4000 | 36" ϕ x 7' 7-1/2" H



PF-4007 | 12" ϕ x 9' 11-3/4" H



PF-4009 | 8" ϕ x 8' 1-3/4" H



PF-4010 | 14" ϕ x 7' 4" H



PF-4011 | 6" ϕ x 5' 7-1/4" H



PF-4012 | 13-1/2" ϕ x 8' 11-3/4" H



▲ Plasterform™ Cast Stone columns; La Reina, The Villages, FL;
Christoff Krietemeyer & Associates

PF-4013 | 21" \varnothing x 6' 11-1/2" H



PF-4015 | 16" ϕ x 8' 3-3/8" H



PF-4016 | 24" ϕ x 9' 1" H



PF-4017 | 15" ϕ x 8' 11-3/8" H



PF-4019 | 14-1/2" ϕ x 7' 7-1/2" H



PF-4020 | 9-1/2" ϕ x 8' 5-3/4" H



PF-4026 | 24" ϕ x 10' 7-3/8" H



PF-4047 | 36" ϕ x 7' 3-3/8" H



PF-4029 | 22" ϕ x 9' 11-1/2" H



PF-4030 | 16" ϕ x 9' 11-1/4" H



PF-4034 | 24" ϕ x 9' 11-3/8" H



PF-4037 | 24" ϕ x 7' 9-1/2" H



PF-4049 | 8" ϕ x 3' 11-1/2" H



PF-4050 | 18-1/2" ϕ x 5' 11-3/8" H



PF-4067 | 24" ϕ x 10' 5-1/2" H



PF-4059 | 10" ϕ x 5' 11-1/2" H



PF-4051 | 20" ϕ x 7' 11-3/8" H

FLUTED SHAFTS

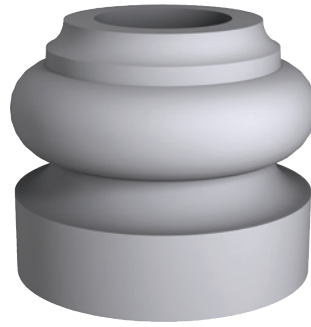


▲ Plasterform™ FRP fluted shaft columns; University of North Carolina, Chapel Hill, NC

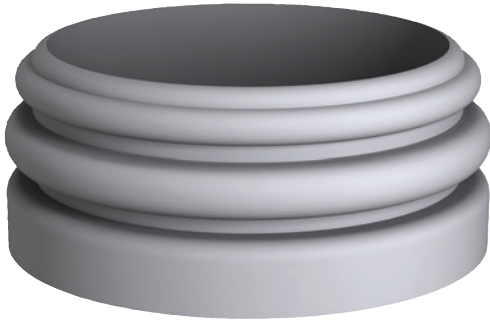
| MODEL NO. | DIAMETER |
|-----------|----------|
| PF-4410 | 16" |
| PF-4411 | 22" |
| PF-4412 | 30" |



PF-3000 | 12" ϕ x 6" H



PF-3001 | 5" ϕ x 7' 1/4" H



PF-3011 | 24" ϕ x 1' 1/4" H



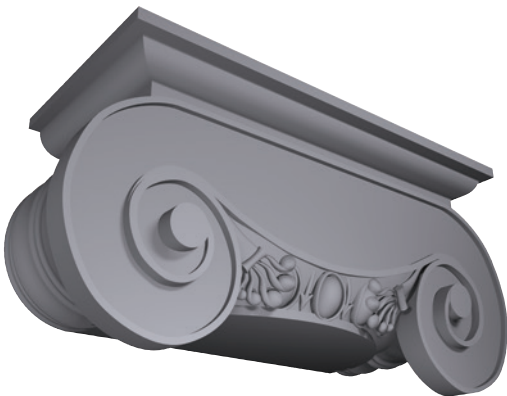
PF-3015 | 21-5/8" W x 1' 6-5/8" H



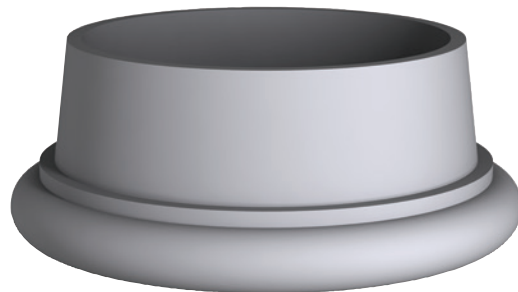
PF-3016 | 21-11/16" W x 1' 6-15/16" H



PF-3020 | 32" ϕ x 1' 6" H



PF-3024 | 28" ϕ x 1' 9-9/16" H

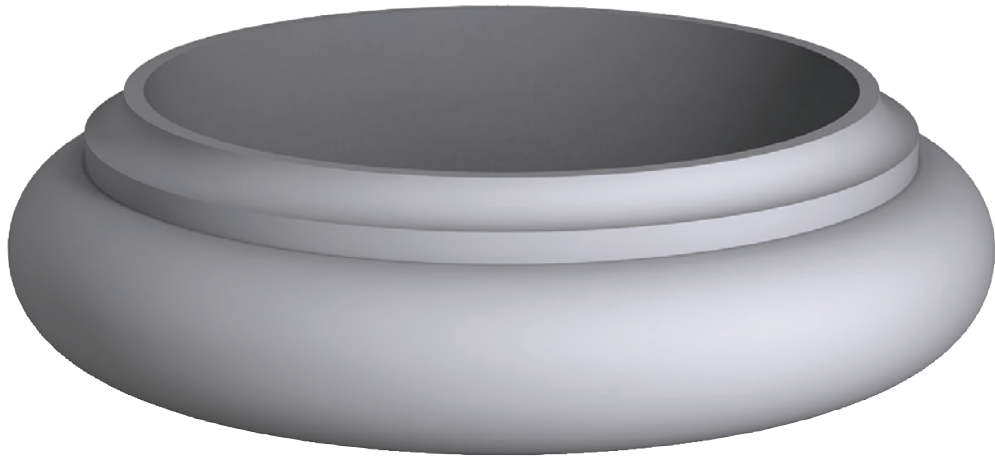


PF-3027 | 24" ϕ x 1' 1" H

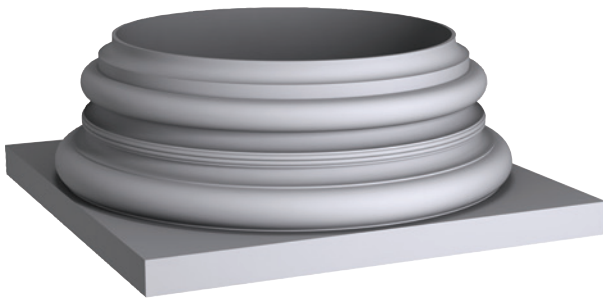
CAPITALS & BASES



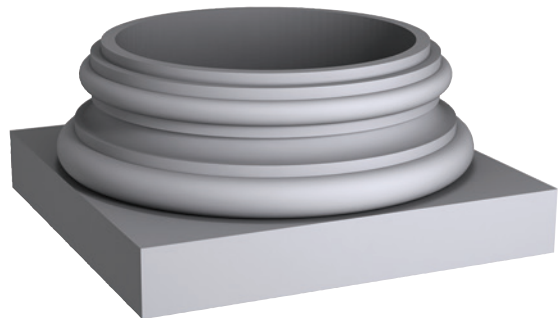
▲ Plasterform™ GFRC columns and pilaster; Clay County Courthouse, Green Cove Springs, FL; Spillis Candela and Smith-McCrary Architects, Inc.



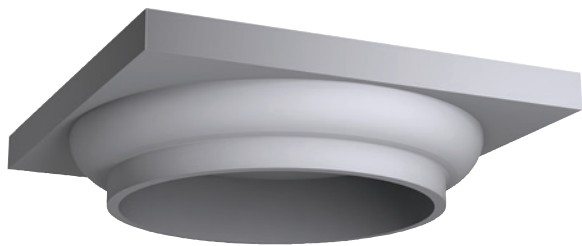
PF-3061 | 18" \varnothing x 6-1/4" H



PF-3028 | 36" \varnothing x 1' 7" H



PF-3029 | 27" \varnothing x 1' 5-1/4" H



PF-3046 | 14" ϕ x 4-7/8" H



PF-3057 | 14" ϕ x 1' 1/2" H



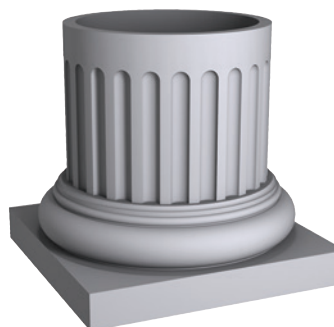
PF-3063 | 24" ϕ x 5-7/8" H



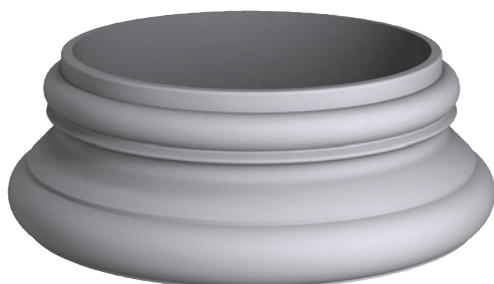
PF-3075 | 20" ϕ x 2' 3-3/8" H



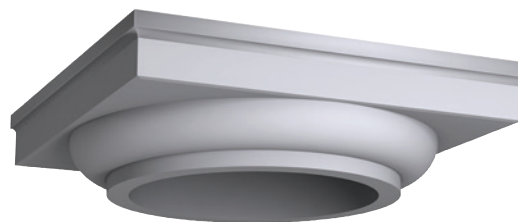
PF-3076 | 20" ϕ x 1' 5" H



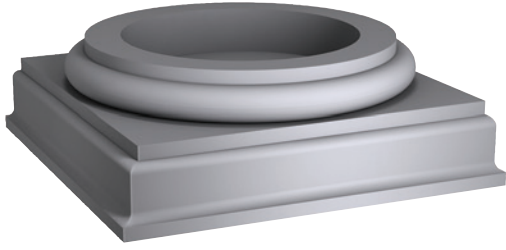
PF-3079 | 22-3/4" ϕ x 2' 3-7/8" H



PF-3080 | 28" ϕ x 1' 1-5/8" H



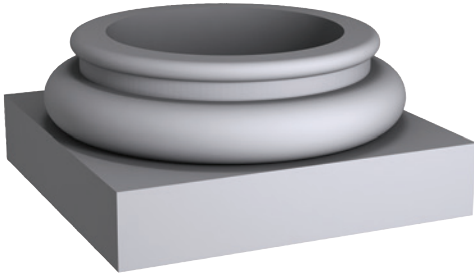
PF-3086 | 18" ϕ x 7-1/4" H



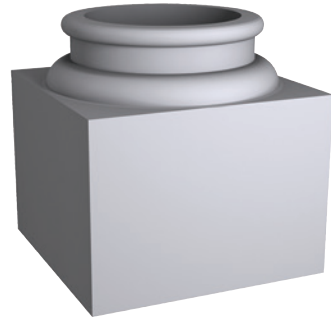
PF-3093 | 21" ϕ x 9-1/2" H



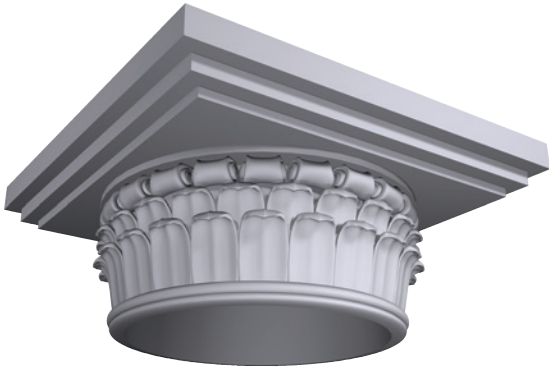
PF-3094 | 20" ϕ x 6-7/8" H



PF-3099 | 16" ϕ x 9" H



PF-3101 | 12" ϕ x 1' 4-3/8" H



PF-3102 | 21" ϕ x 1' 1-1/2" H



PF-3106 | 16" ϕ x 1' 3" H



PF-3108 | 21" ϕ x 1' 4" H





PF-3044 | 24" \varnothing x 11" H



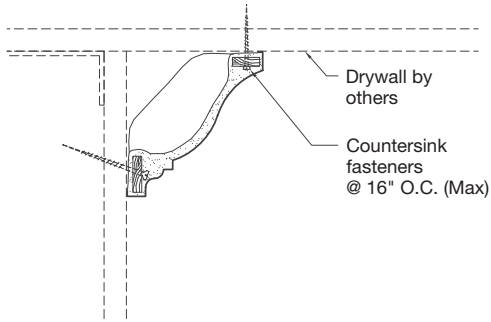


MOLDINGS

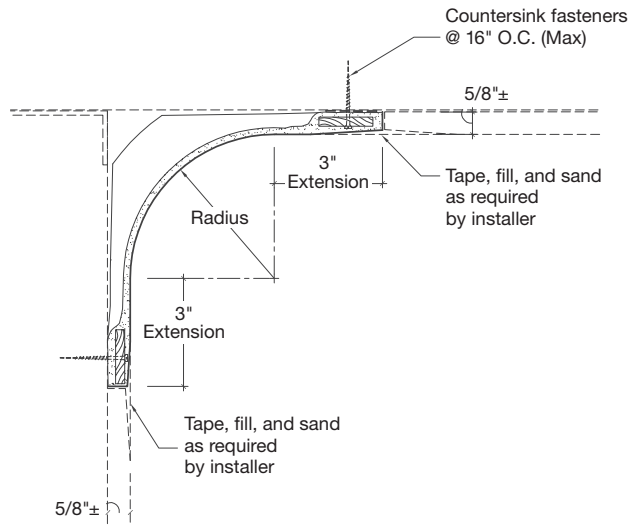
Plasterform™ moldings are lightweight, durable, and perfect for interior and exterior applications. Moldings offer endless options that elevate your overall design by seamlessly blending into your ceilings and walls or providing unexpected contrast.



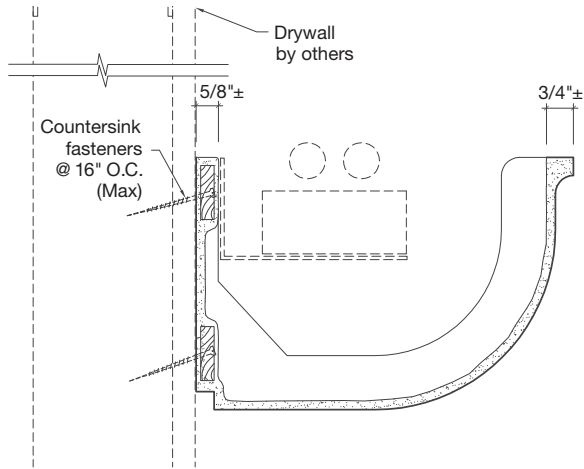
▲ Plasterform™ Cast Stone cladding, headers, base, and door surround; Royal Pacific Resort, Orlando, FL; Fugleberg Koch Architects



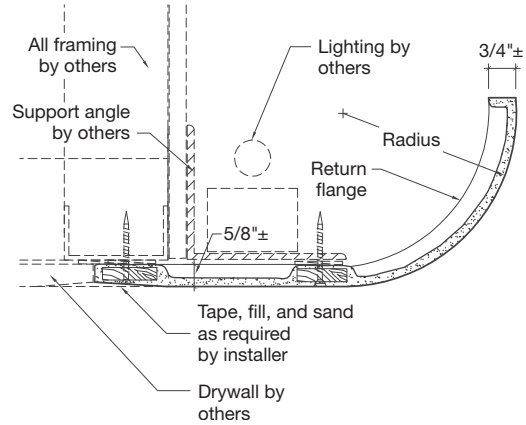
GRG Interior Trim Section



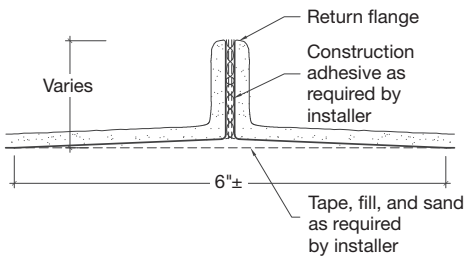
GRG Light Cove Section



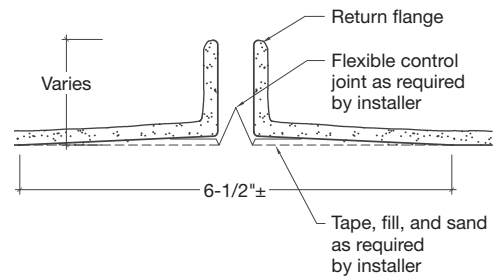
Light Trough Section



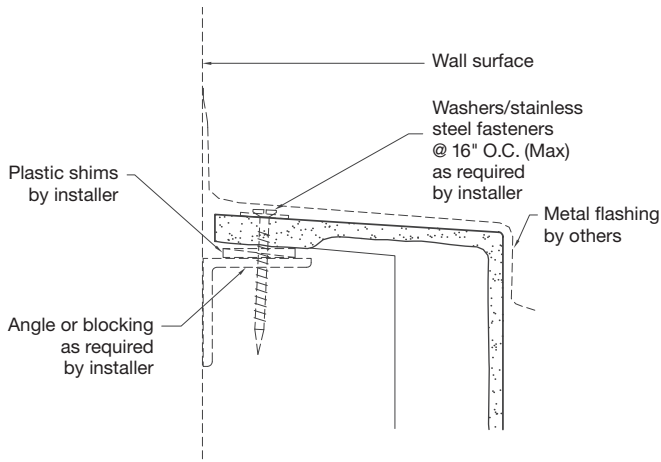
GRG Light Trough Section



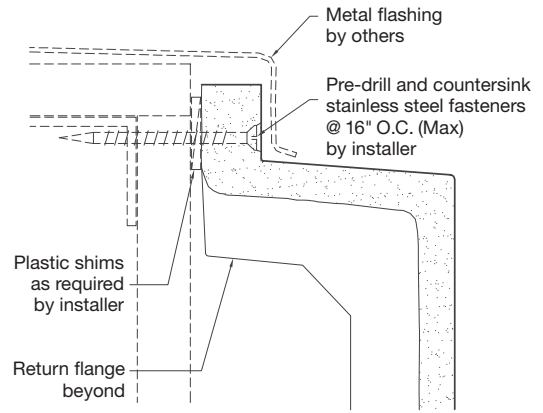
GRG Tape Joint Detail



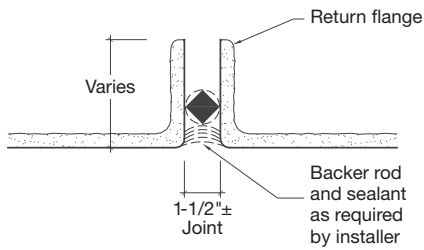
GRG Control Joint Detail



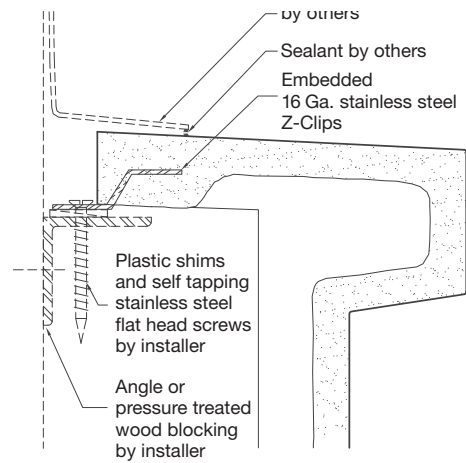
FRP Cornice – Top Connection



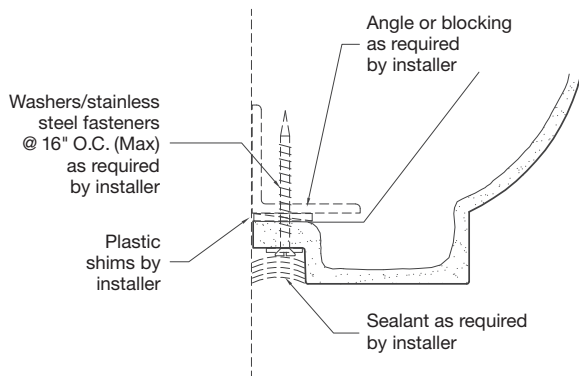
Unfinished GFRC Cornice – Top Connection



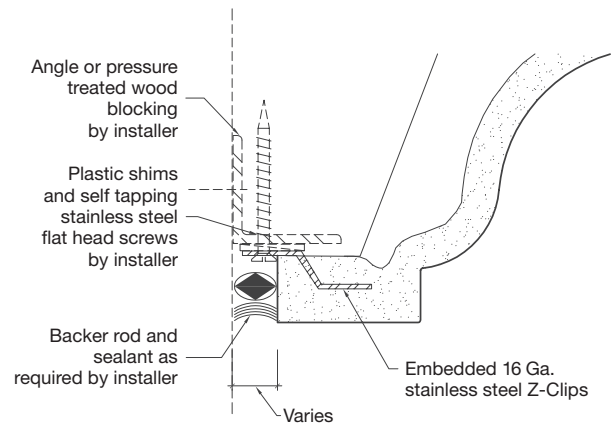
Panel-to-Panel Joint



Prefinished GFRC Cornice – Top Connection



FRP Cornice – Bottom Connection

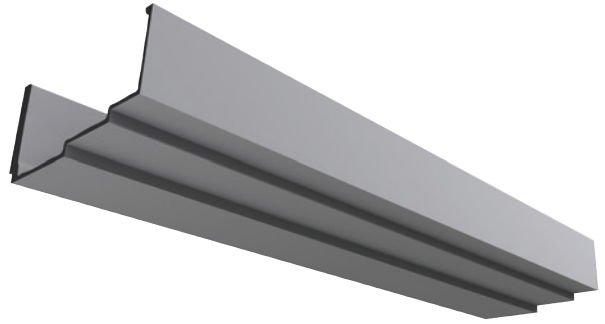


Prefinished GFRC Cornice – Bottom Connection

CORNICE/LIGHT TROUGH



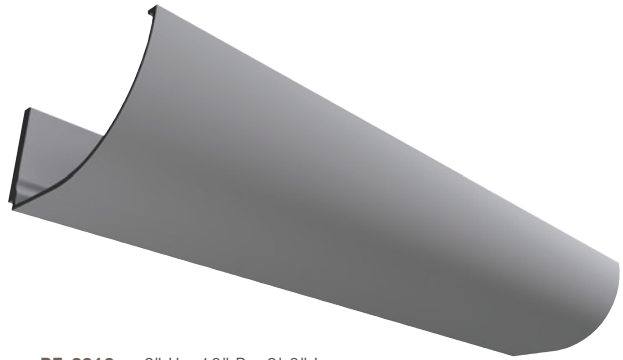
PF-6000 | 9-5/8" H x 9" P x 8-1/3" L



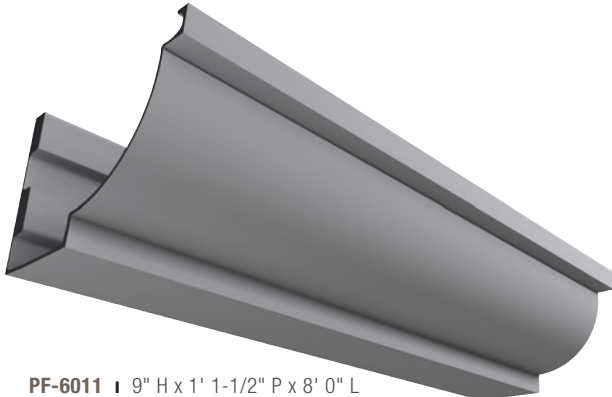
PF-6007 | 5-1/8" H x 10-1/2" P x 8'-0" L



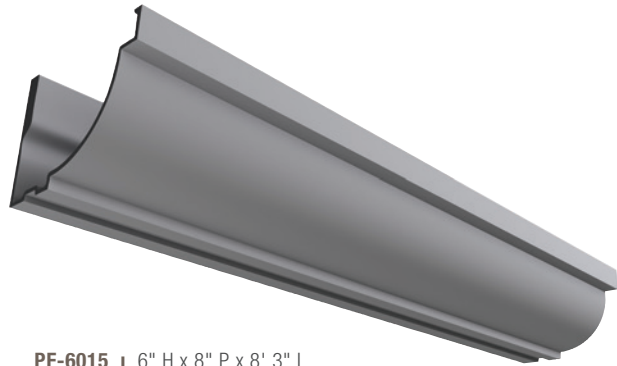
PF-6009 | 5" H x 10" P x 8' 0" L



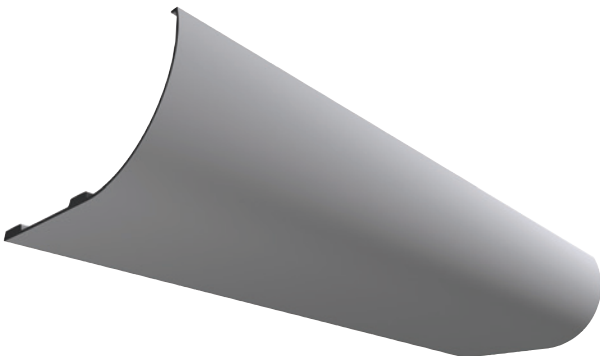
PF-6010 | 6" H x 10" P x 8' 0" L



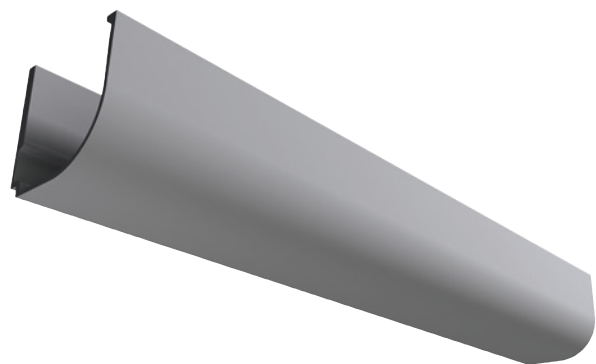
PF-6011 | 9" H x 1' 1-1/2" P x 8' 0" L



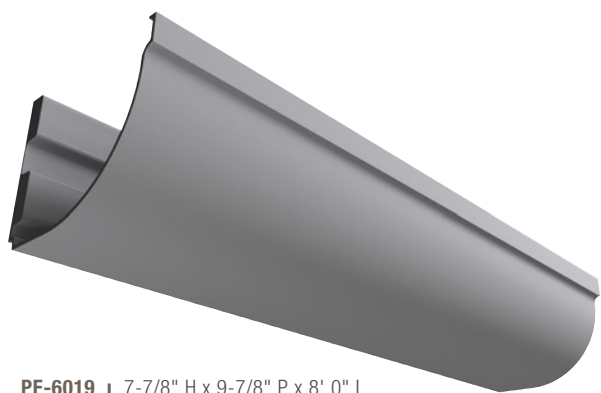
PF-6015 | 6" H x 8" P x 8' 3" L



PF-6017A | 8" H x 1' 3" P x 8' 0" L



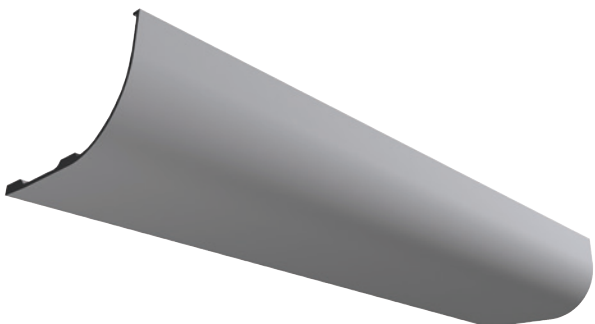
PF-6018 | 6" H x 6" P x 8' 0" L



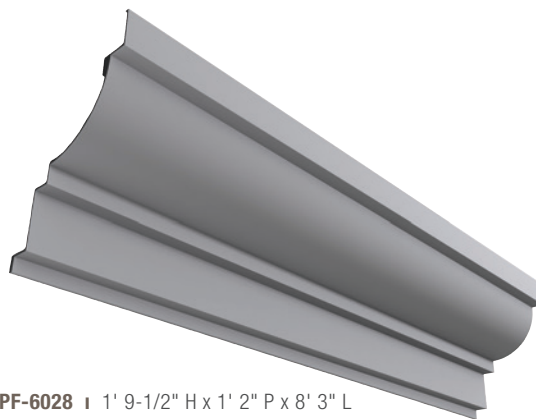
PF-6019 | 7-7/8" H x 9-7/8" P x 8' 0" L



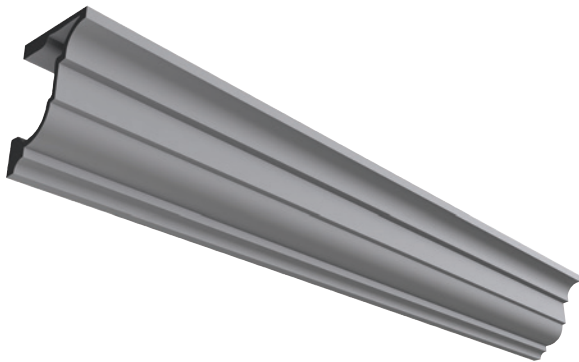
PF-6021 | 1' 7" H x 1' 1" P x 8' 3" L



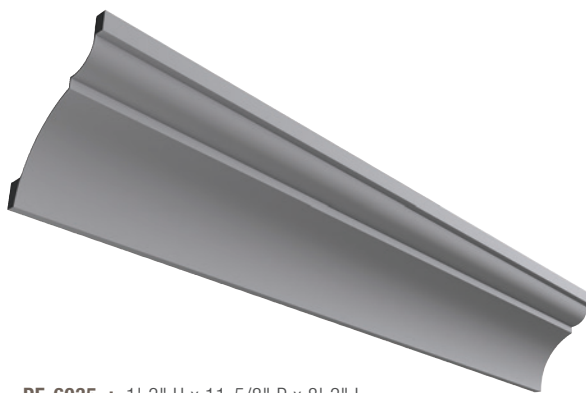
PF-6025 | 6" H x 10" P x 8' 3" L



PF-6028 | 1' 9-1/2" H x 1' 2" P x 8' 3" L



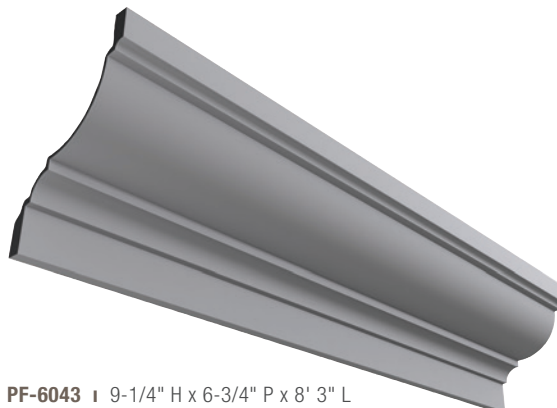
PF-6033 | 5-1/2" H x 4" P x 8' 0" L



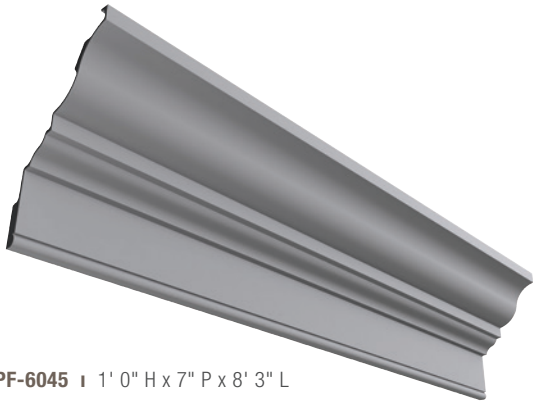
PF-6035 | 1' 3" H x 11-5/8" P x 8' 3" L



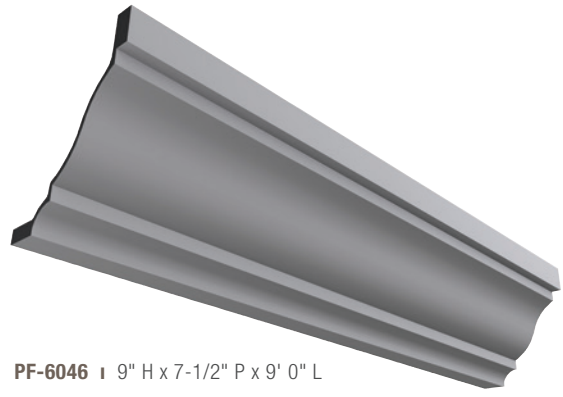
PF-6038 | 5" H x 9" P x 8' 3" L



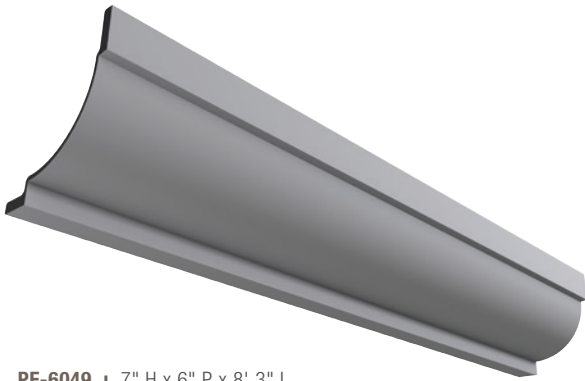
PF-6043 | 9-1/4" H x 6-3/4" P x 8' 3" L



PF-6045 | 1' 0" H x 7" P x 8' 3" L



PF-6046 | 9" H x 7-1/2" P x 9' 0" L



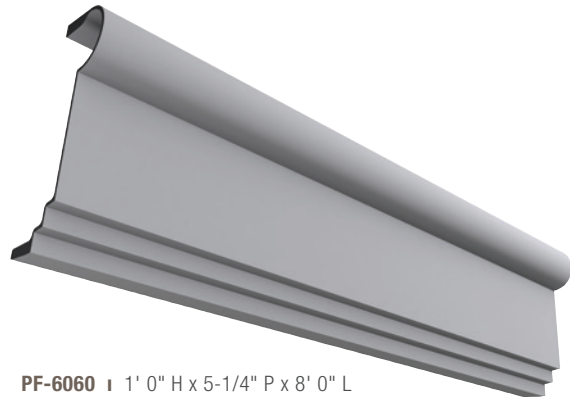
PF-6049 | 7" H x 6" P x 8' 3" L



PF-6053 | 1' 4-1/2" H x 1' 1-1/2" P x 8' 0" L



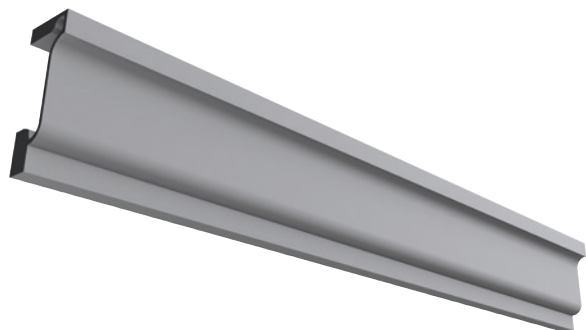
PF-6057 | 8" H x 1' 0" P x 8' 3" L



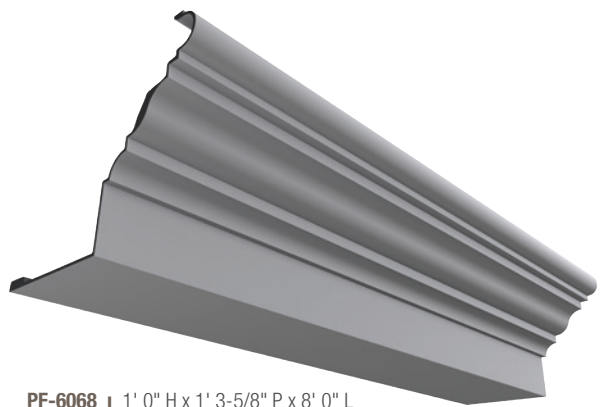
PF-6060 | 1' 0" H x 5-1/4" P x 8' 0" L



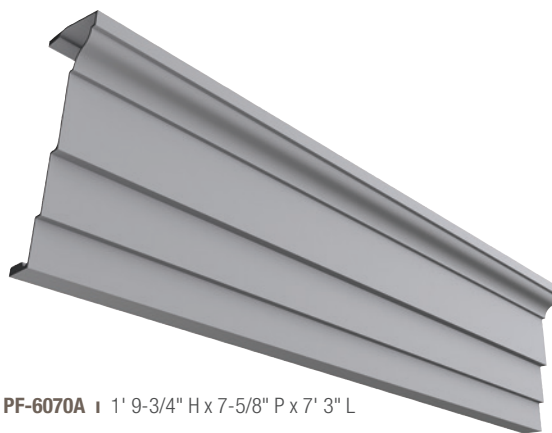
PF-6063 | 1' 0" H x 10" P x 8' 3" L



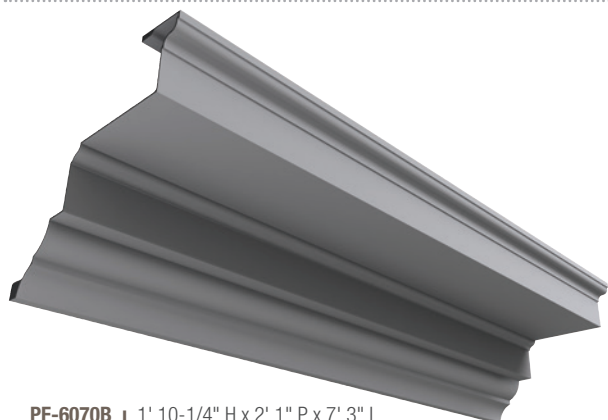
PF-6064 | 6" H x 2-1/2" P x 8' 0" L



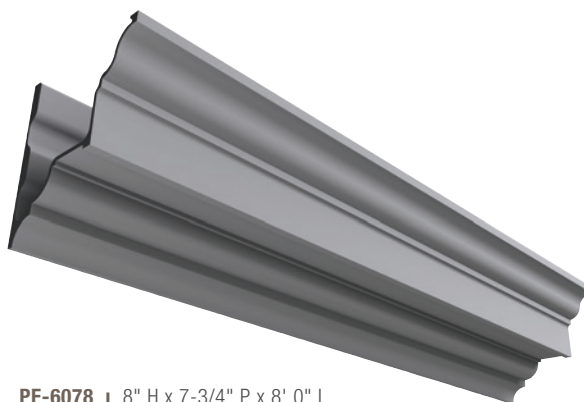
PF-6068 | 1' 0" H x 1' 3-5/8" P x 8' 0" L



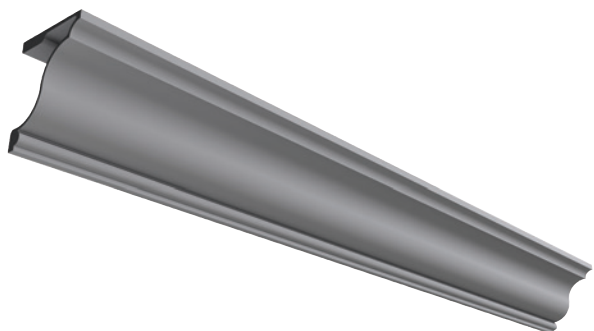
PF-6070A | 1' 9-3/4" H x 7-5/8" P x 7' 3" L



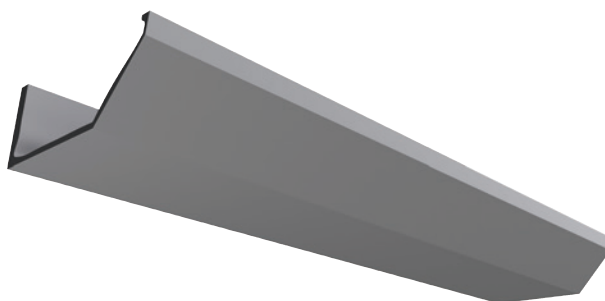
PF-6070B | 1' 10-1/4" H x 2' 1" P x 7' 3" L



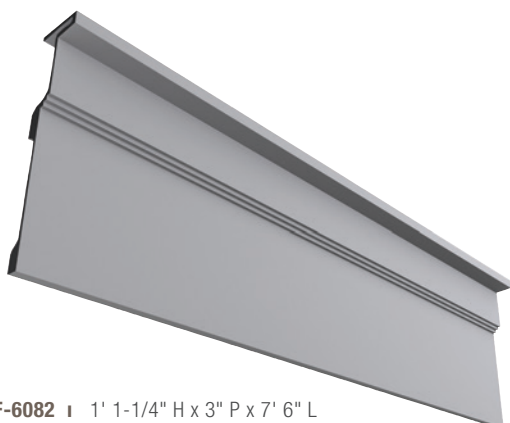
PF-6078 | 8" H x 7-3/4" P x 8' 0" L



PF-6079 | 6" H x 5" P x 8' 0" L



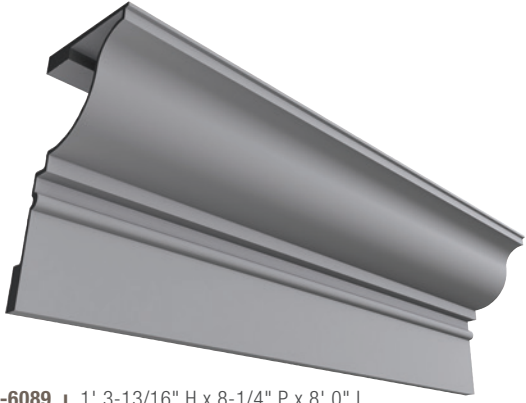
PF-6080 | 4" H x 10" P x 8' 0" L



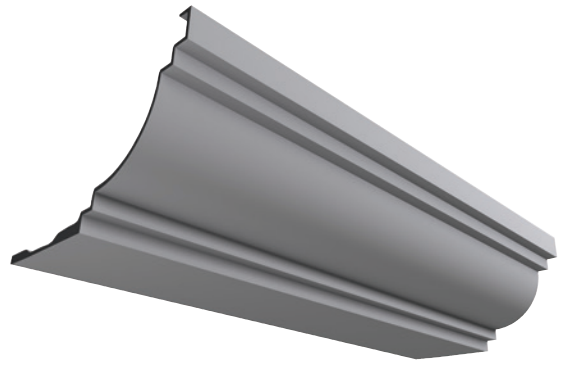
PF-6082 | 1' 1-1/4" H x 3" P x 7' 6" L



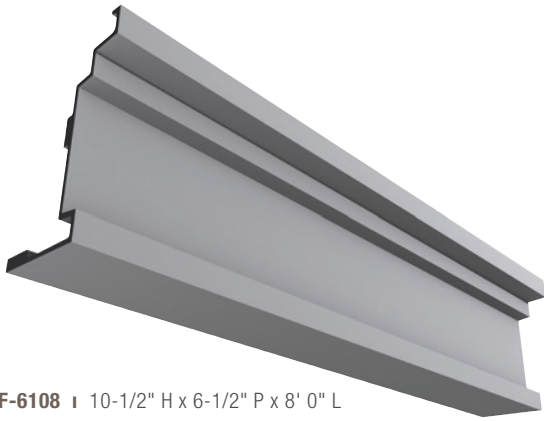
PF-6086 | 7" H x 10-1/2" P x 8' 0" L



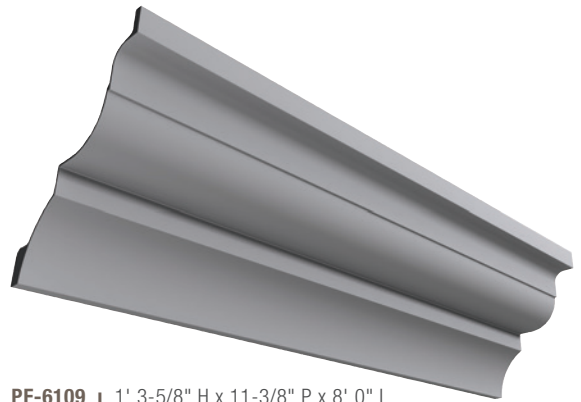
PF-6089 | 1' 3-13/16" H x 8-1/4" P x 8' 0" L



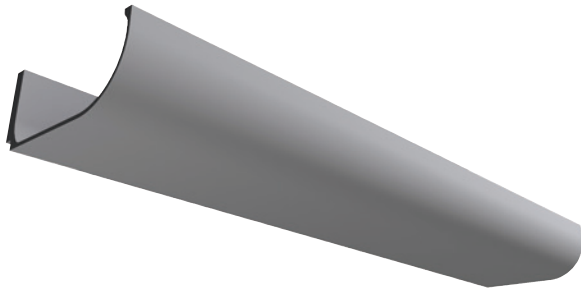
PF-6091 | 9-15/16" H x 1' 4-3/8" P x 8' 0" L



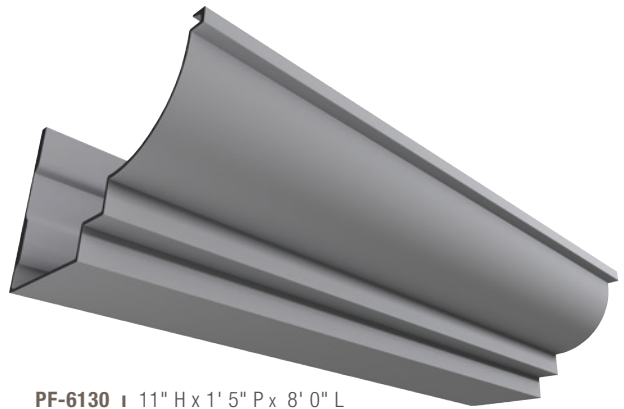
PF-6108 | 10-1/2" H x 6-1/2" P x 8' 0" L



PF-6109 | 1' 3-5/8" H x 11-3/8" P x 8' 0" L



PF-6124 | 4" H x 9" P x 8' 3" L



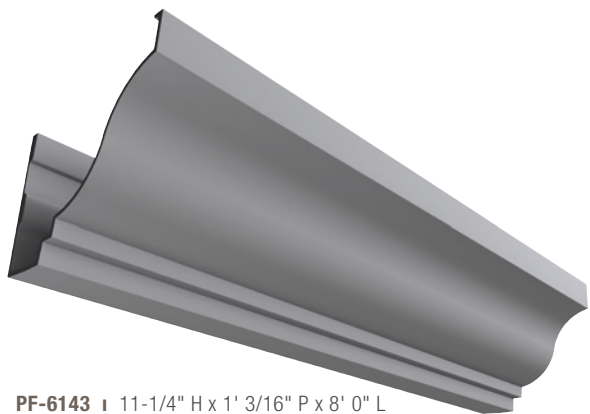
PF-6130 | 11" H x 1' 5" P x 8' 0" L



PF-6137 | 8-1/2" H x 8-1/2" P x 8' 0" L



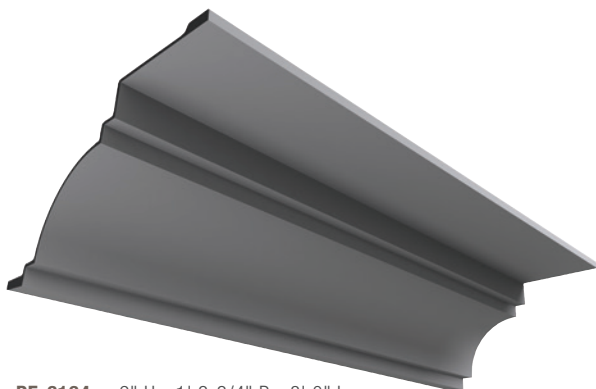
PF-6141 | 6" H x 10-1/4" P x 8' 3" L



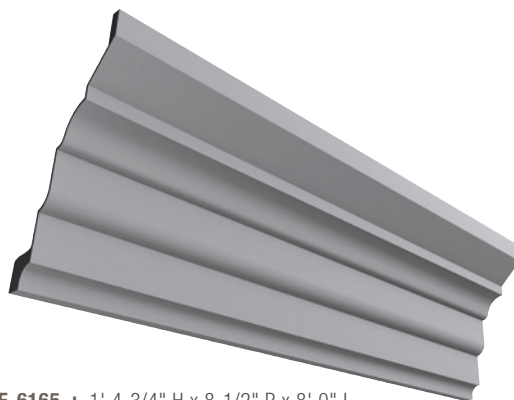
PF-6143 | 11-1/4" H x 1' 3/16" P x 8' 0" L



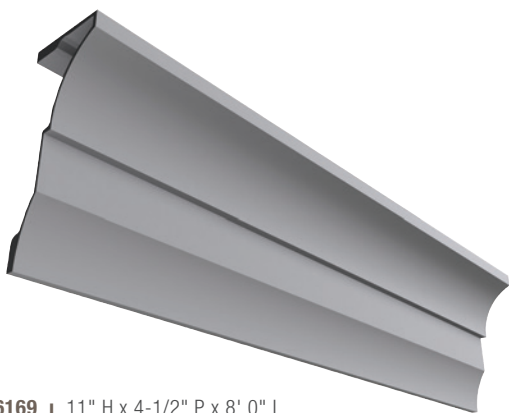
PF-6160 | 7" H x 13" P x 8' 0" L



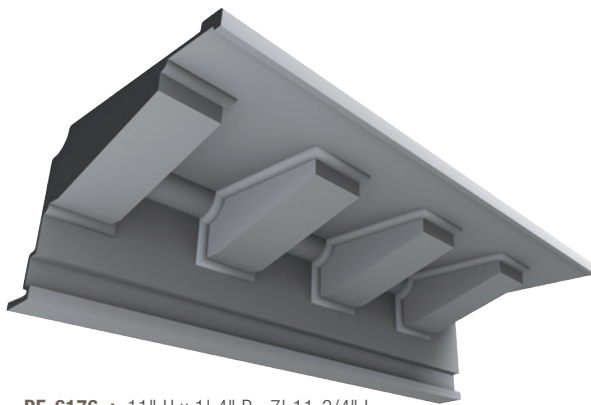
PF-6164 | 9" H x 1' 3-3/4" P x 8' 0" L



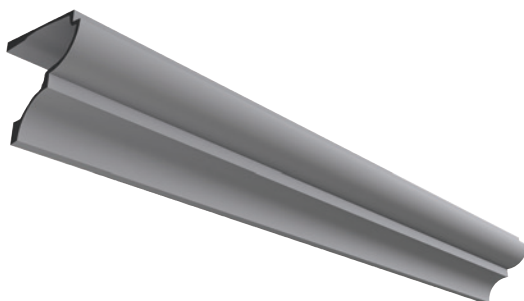
PF-6165 | 1' 4-3/4" H x 8-1/2" P x 8' 0" L



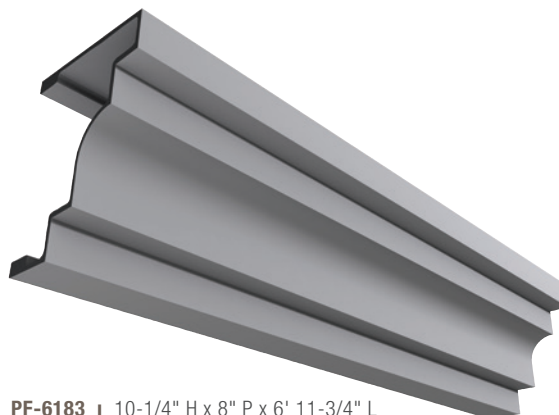
PF-6169 | 11" H x 4-1/2" P x 8' 0" L



PF-6176 | 11" H x 1' 4" P x 7' 11-3/4" L



PF-6177 | 5-5/16" H x 5-1/2" P x 8' 0" L



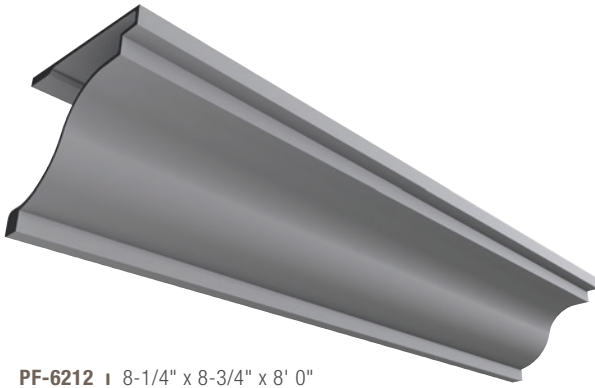
PF-6183 | 10-1/4" H x 8" P x 6' 11-3/4" L



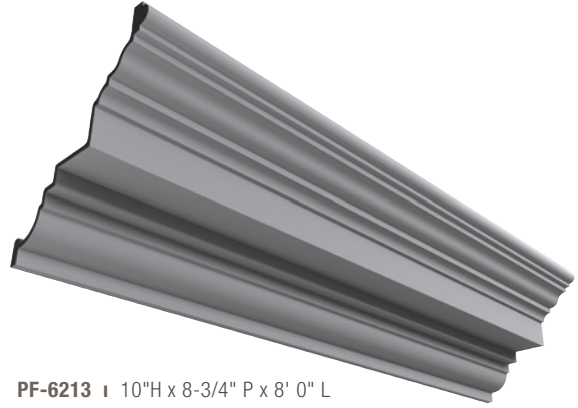
PF-6199 | 2' 1/6" H x 1' 4-1/2" P x 8' 0" L



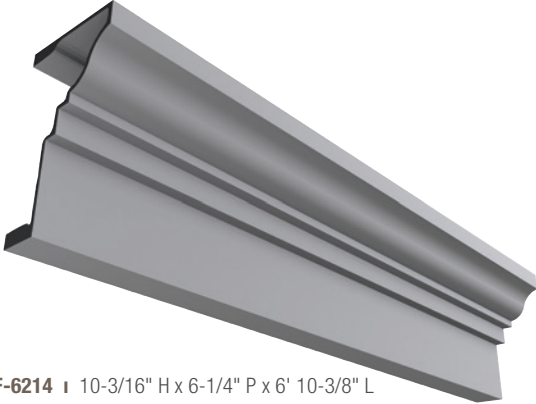
PF-6205 | 5-5/16" H x 4" P x 8' 0" L



PF-6212 | 8-1/4" x 8-3/4" x 8' 0"



PF-6213 | 10" H x 8-3/4" P x 8' 0" L



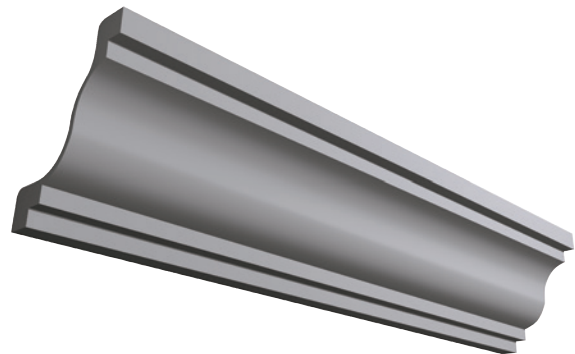
PF-6214 | 10-3/16" H x 6-1/4" P x 6' 10-3/8" L



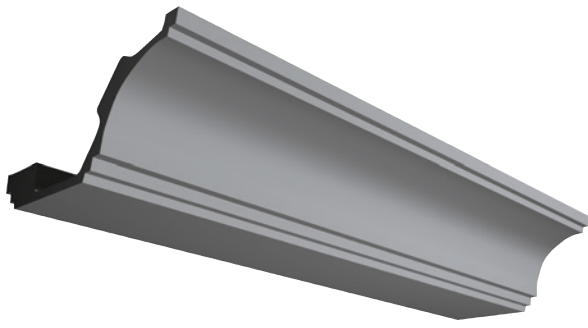
PF-6215 | 1' 0" H x 10-1/2" P x 6' 10" L



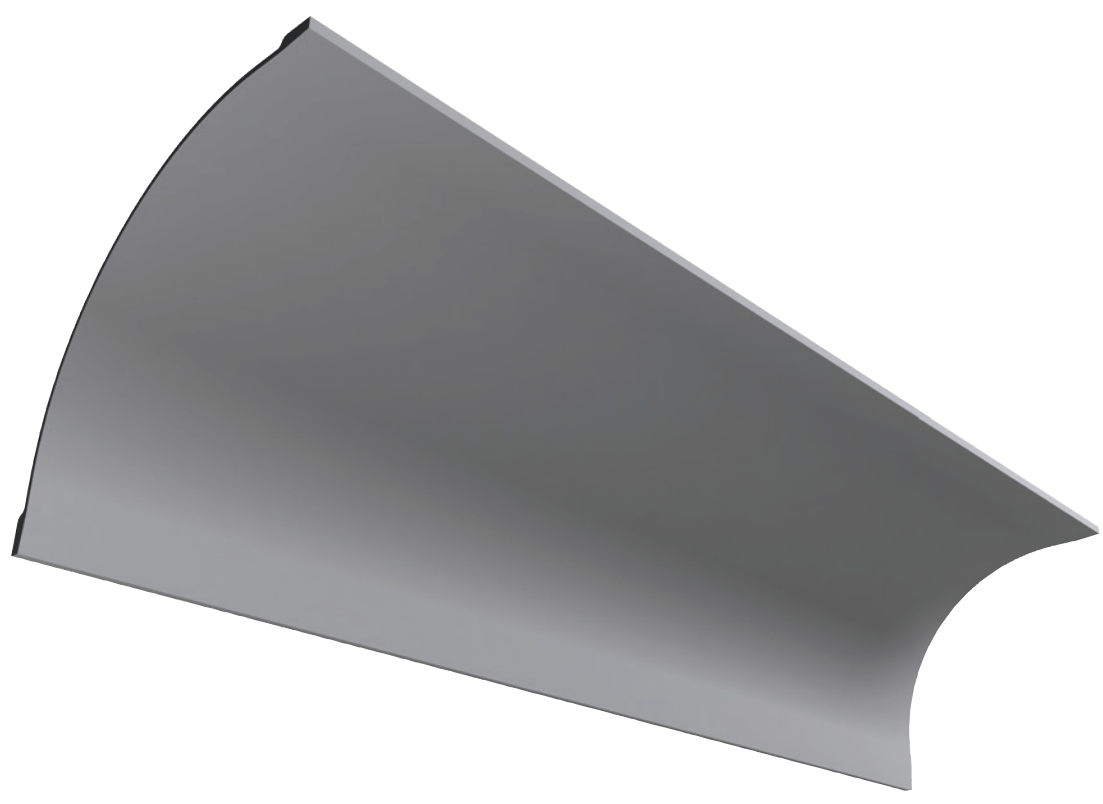
PF-6216 | 4" H x 3-3/4" P x 8' 0" L



PF-6217 | 5" H x 4" P x 8' 0" L



PF-6218 | 4" H x 8" P x 8' 0" L



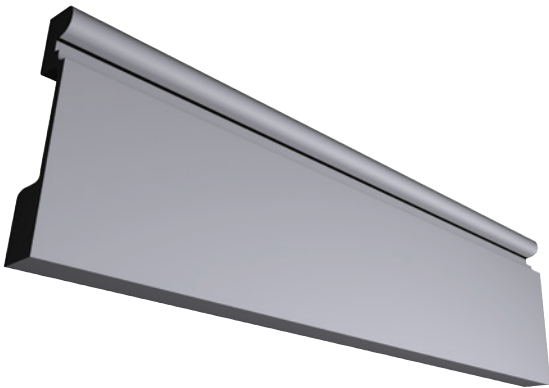
| MOLD NO. | RADIUS | LENGTH | MOLD NO. | RADIUS | LENGTH |
|----------|--------|--------|----------|--------|--------|
| PF-10003 | 3" | 8' 0" | PF-10015 | 15" | 8' 0" |
| PF-10004 | 4" | 8' 0" | PF-10018 | 18" | 8' 0" |
| PF-10005 | 5-1/2" | 8' 0" | PF-10020 | 20" | 8' 0" |
| PF-10006 | 6" | 8' 0" | PF-10024 | 24" | 8' 0" |
| PF-10008 | 8" | 8' 0" | PF-10030 | 30" | 8' 0" |
| PF-10010 | 10" | 8' 0" | PF-10036 | 36" | 8' 0" |
| PF-10011 | 11" | 8' 0" | PF-10048 | 48" | 8' 0" |
| PF-10012 | 12" | 8' 0" | | | |



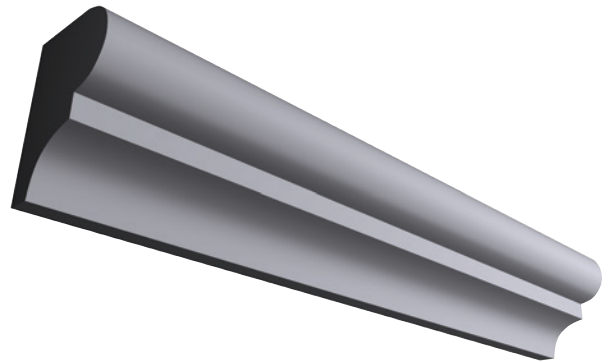
PF-16009 | 8" H x 4" P x 8' 0" L



PF-16010 | 6" H x 2-1/4" P x 7' 0" L



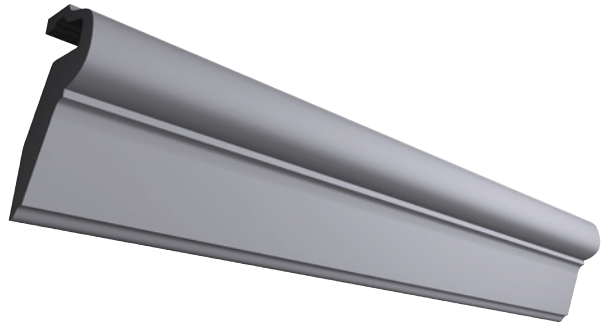
PF-16011 | 8" H x 1-1/2" P x 8' 0" L



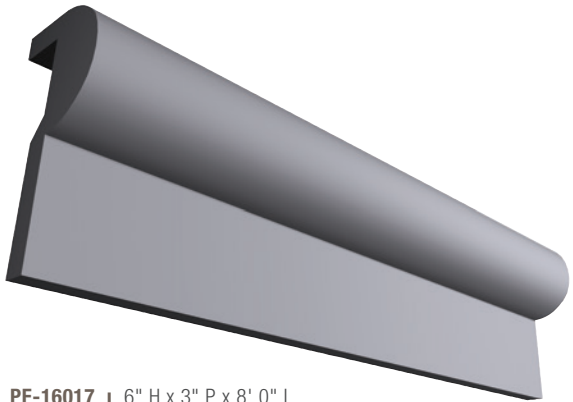
PF-16012 | 2" H x 1-1/2" P x 8' 0" L



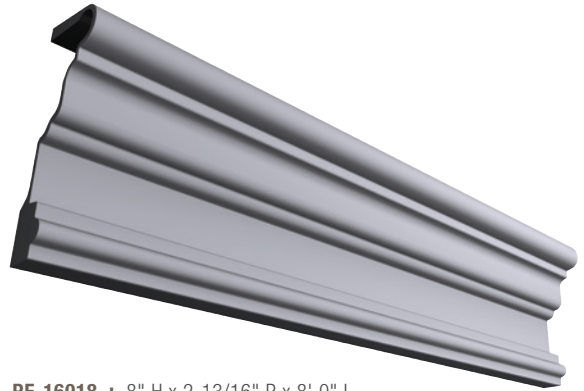
PF-16015 | 8-3/16" H x 3-5/8" P x 8' 0" L



PF-16016 | 3-1/2" H x 1-3/4" P x 8' 0" L



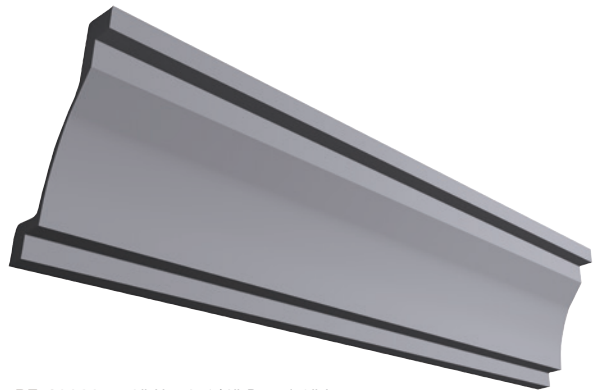
PF-16017 | 6" H x 3" P x 8' 0" L



PF-16018 | 8" H x 2-13/16" P x 8' 0" L



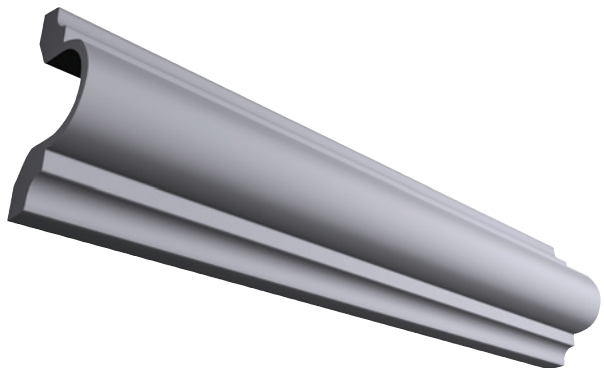
PF-16019 | 4-1/2" H x 2" P x 7' 2-1/2" L



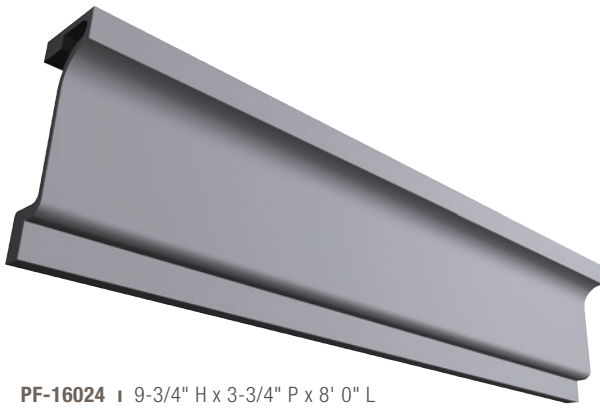
PF-16020 | 6" H x 3-1/4" P x 7' 0" L



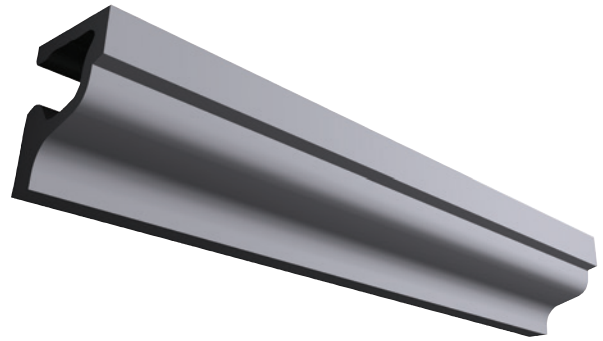
PF-16021 | 3-1/2" H x 1-1/4" P x 8' 0" L



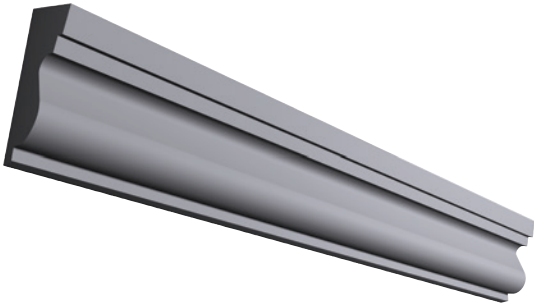
PF-16023 | 4" H x 1-15/16" P x 8' 0" L



PF-16024 | 9-3/4" H x 3-3/4" P x 8' 0" L



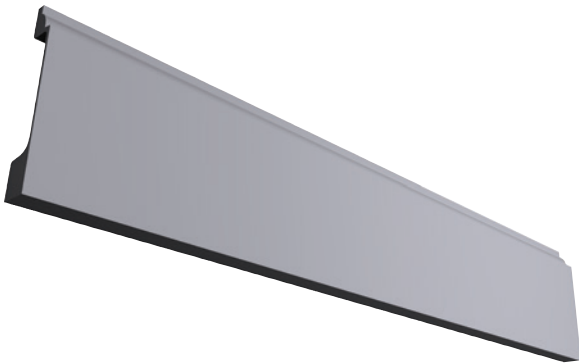
PF-16026 | 2-1/4" H x 2" P x 8' 0" L



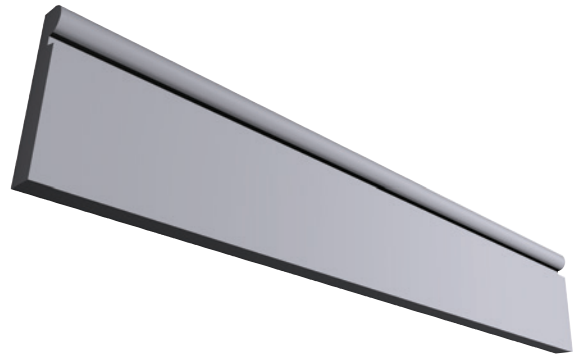
PF-16027 | 4-1/4" H x 2-1/16" P x 8' 0" L



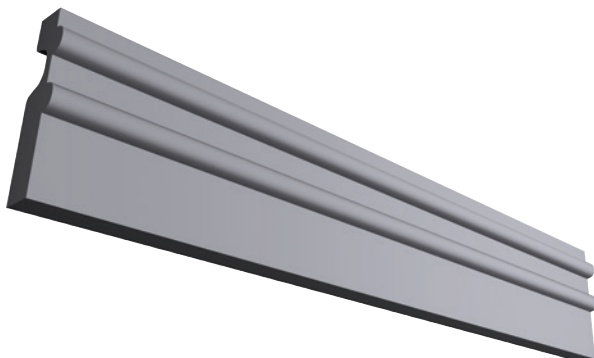
PF-16028 | 6" H x 1" P x 8' 0" L



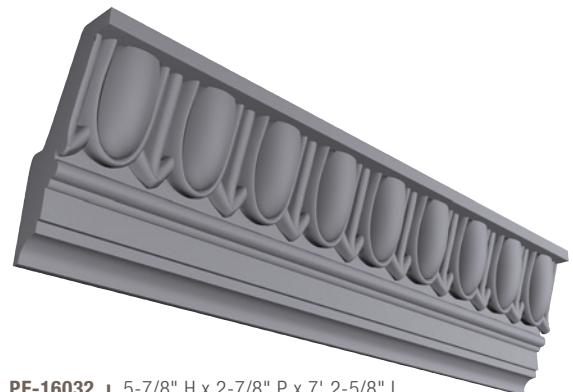
PF-16029 | 9-1/2" H x 1-1/2" P x 8' 0" L



PF-16030 | 3-1/2" H x 3/4" P x 8' 0" L



PF-16031 | 3-1/4" H x 7/8" P x 8' 0" L



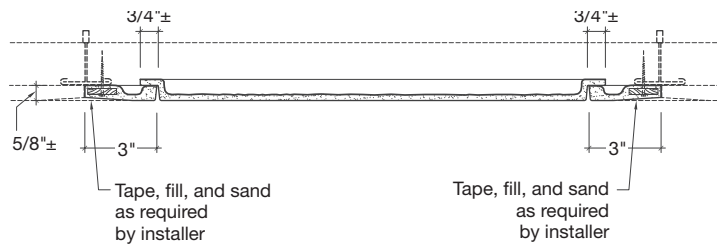
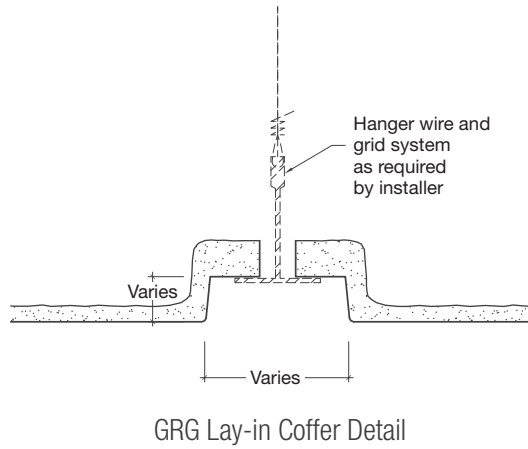
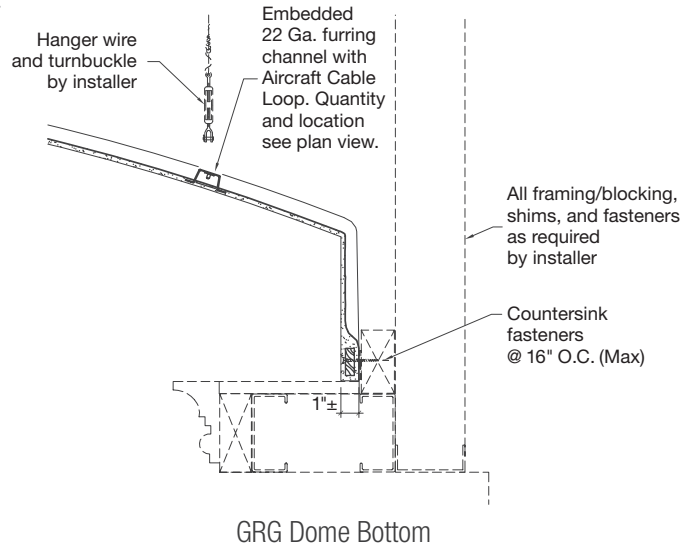
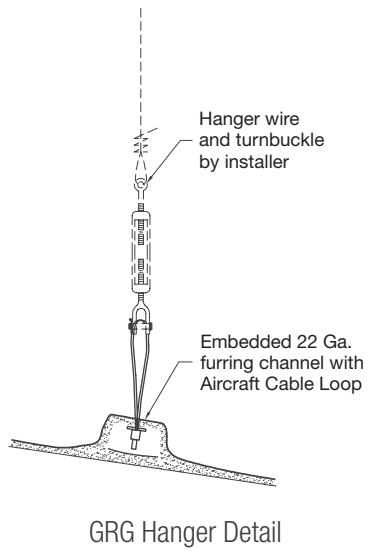
PF-16032 | 5-7/8" H x 2-7/8" P x 7' 2-5/8" L

CEILING

Plasterform™ materials can create works of art using products such as domes, vaults, coffers, access panels, beams, and other custom ceiling applications.

▼ Plasterform™ GRG custom ceiling application; Loews Hotel, Chicago, IL; Simone Deary Design Group



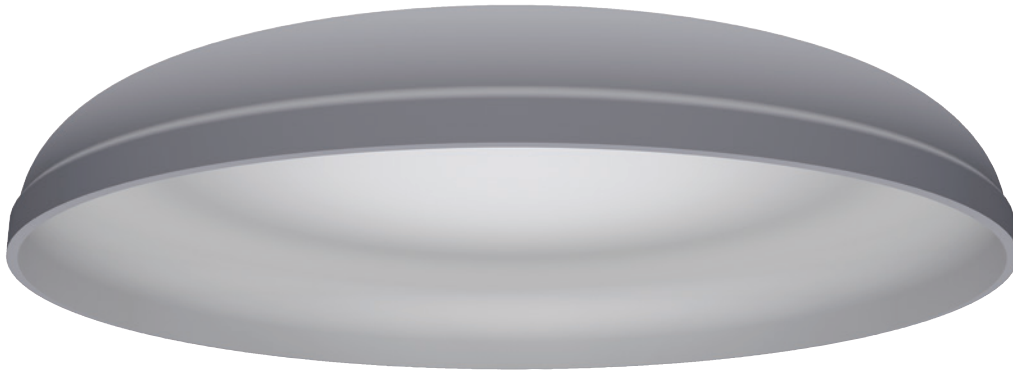




PF-8002 | 3' 5" \varnothing x 8-1/2" Rise



PF-8003 | 5' 6" \varnothing x 1' 8" Rise



PF-8005 | 5' 0" \varnothing x 8-3/8" Rise



PF-8005B | 5' 0" \varnothing x 8" Rise



PF-8006 | 6' 0" \emptyset x 1' 4" Rise



PF-8006A | 6' 10" \emptyset x 1' 8-5/8" Rise



PF-8007 | 11' 0" Major Axis x 7' 0" Minor Axis x 1' 8" Rise



PF-8008 | 8' 0" \emptyset x 1' 3" Rise



PF-8009 | 7' 2-3/4" \emptyset x 1' 7" Rise



PF-8010 | 10' 0" \emptyset x 1' 3" Rise



PF-8011 | 11' 4" \emptyset x 2' 6" Rise



PF-8011A | 11' 6-1/4" \emptyset x 9-1/2" Rise

DOMES



PF-8012 | 12' 0" \emptyset x 1' 3" Rise



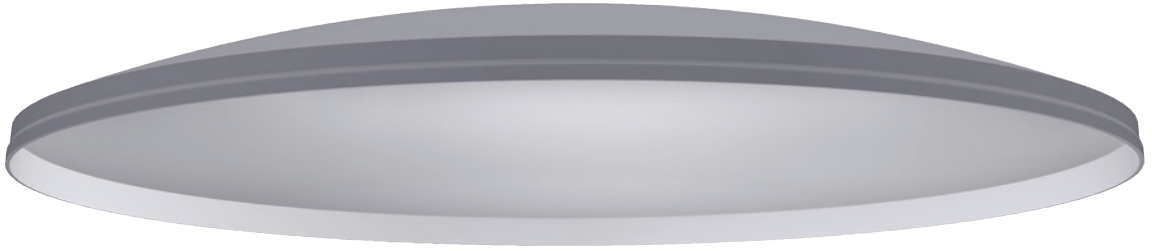
PF-8013 | 14' 0" \emptyset x 1' 2" Rise



PF-8014 | 14' 2-1/2" \emptyset x 1' 7" Rise



PF-8015 | 8' 0" \emptyset x 1' 5" Rise



PF-8016 | 12' 6" Major Axis x 8' 4" Minor Axis x 1' 8-3/4" Rise



PF-8017 | 19' 3" \emptyset x 3' 9" Rise



PF-8018 | 6' 0" \emptyset x 1' 5-1/2" Rise



PF-8019 | 7' 0" \emptyset x 8 1/2" Rise

DOMES



PF-8020 | 12' 0" ϕ x 2' 9" Rise



PF-8021 | 5' 5-1/8" ϕ x 1' 1-7/8" Rise



PF-8022 | 7' 11-3/4" ϕ x 1' 3-1/4" Rise



PF-8024 | 9' 11-3/4" \emptyset x 1' 7" Rise



PF-8025 | 8' 0" \emptyset x 1' 0" Rise



PF-8027 | 5' 0" \emptyset x 1' 3" Rise



PF-8028 | 17' 0" \emptyset x 1' 8-1/2" Rise



PF-8026 | 7' 0" Major Axis x 5' 4-3/4" Minor Axis x 1' 1" Rise



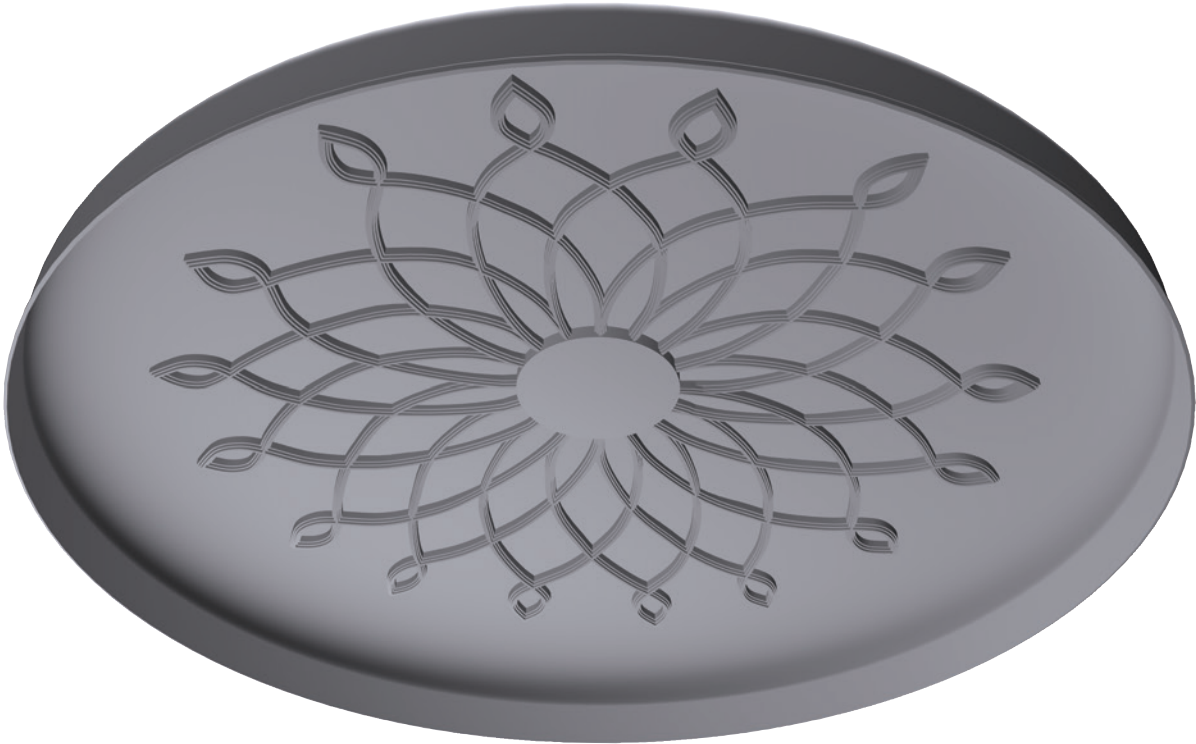
PF-8029 | 14' 0" ϕ x 1' 9-1/16" Rise



PF-8030 | 3' 0" ϕ x 7" Rise

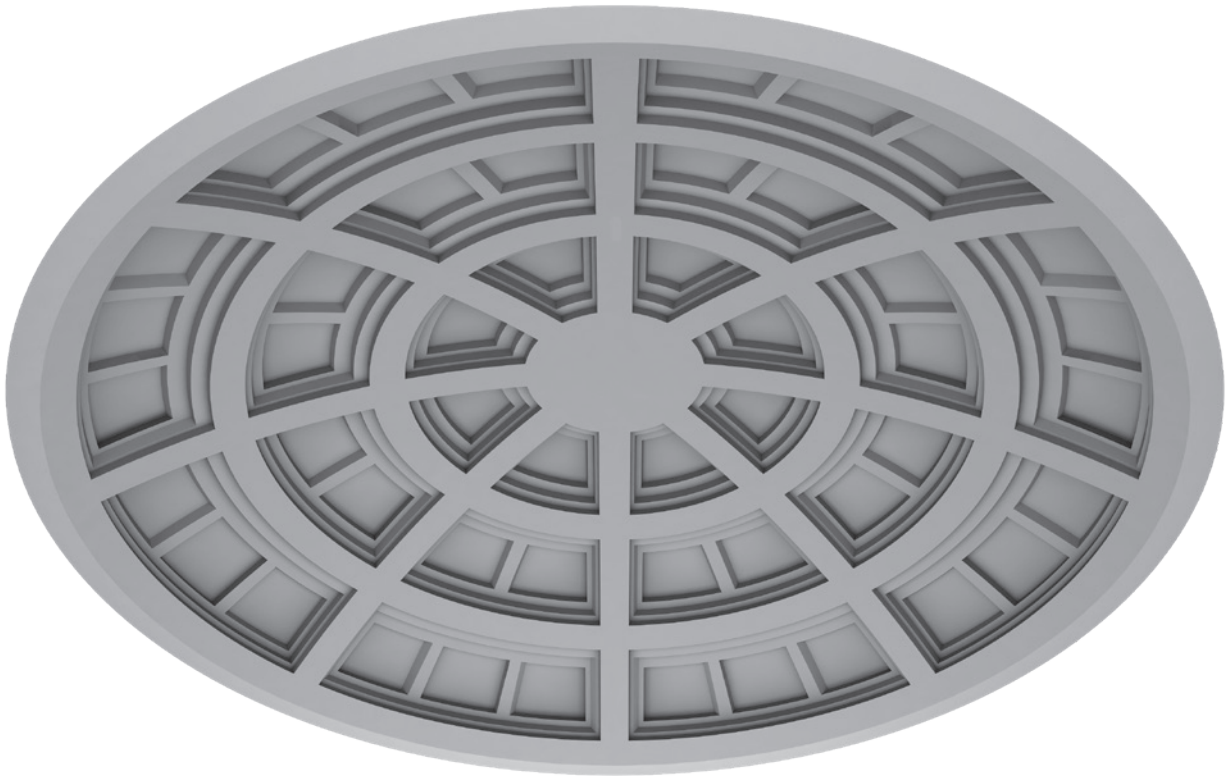


PF-8031 | 18' 2" ϕ x 1' 9" Rise



PF-8032 | 19' 0" ϕ x 3' 1" Rise

DOMES



- PF-8033A | 8' 0" ϕ x 1' 3" Rise
- PF-8033B | 10' 5-1/8" ϕ x 1' 5-5/8" Rise
- PF-8033C | 14' 11-1/4" ϕ x 2' 3" Rise



PF-8035 | 9' 0" ϕ x 1' 4" Rise



PF-8036 | 12' 0" ϕ x 3' 0" Rise



PF-8038 | 9' 0" \varnothing x 1' 9" Rise



PF-8039 | 8' 0" \varnothing x 2' 6" Rise



PF-8040 | 7' 0" \varnothing x 1' 1" Rise



PF-8042 | 7' 3-5/8" \varnothing x 1' 1" Rise



PF-8043 | 6' 0" \varnothing x 1' 5-1/8" Rise

DOMES

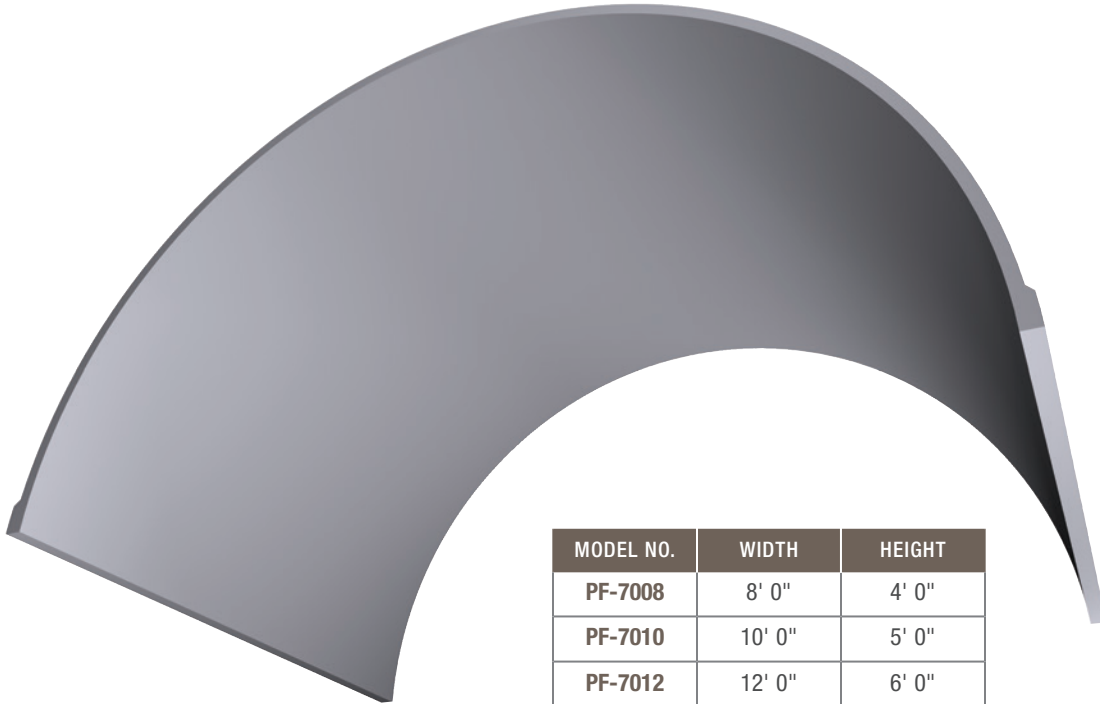


PF-8045 | 3' 5-3/8" ϕ x 1' 2-3/4" Rise



PF-8046 | 3' 0" ϕ x 1' 6" Rise

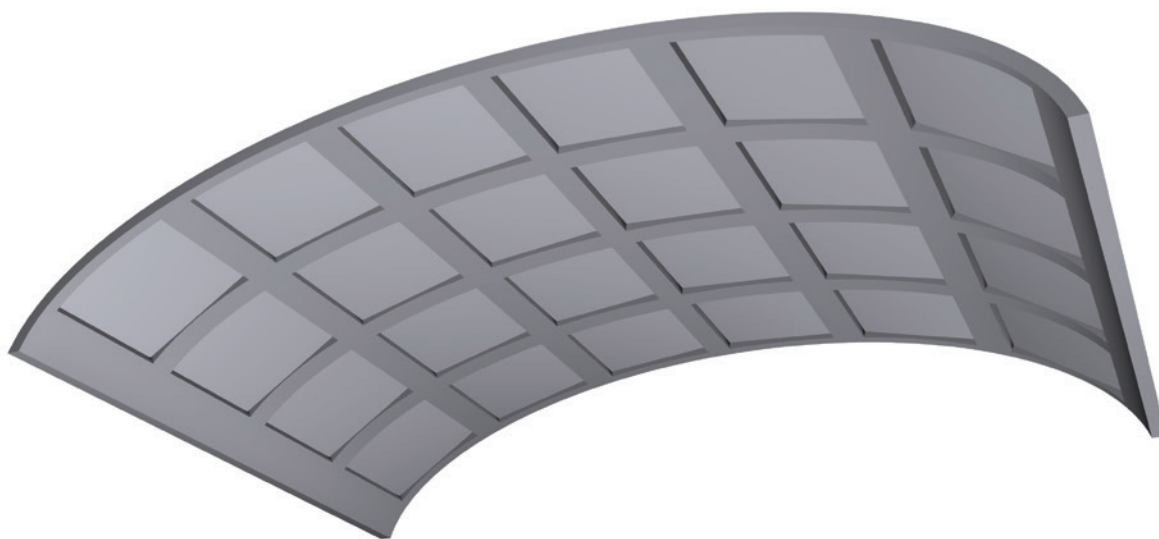
VAULTS



| MODEL NO. | WIDTH | HEIGHT |
|----------------|--------|--------|
| PF-7008 | 8' 0" | 4' 0" |
| PF-7010 | 10' 0" | 5' 0" |
| PF-7012 | 12' 0" | 6' 0" |



| MODEL NO. | WIDTH | HEIGHT |
|-----------|--------|--------|
| PF-7508 | 8' 0" | 1' 6" |
| PF-7510 | 10' 0" | 1' 10" |
| PF-7512 | 12' 0" | 2' 0" |

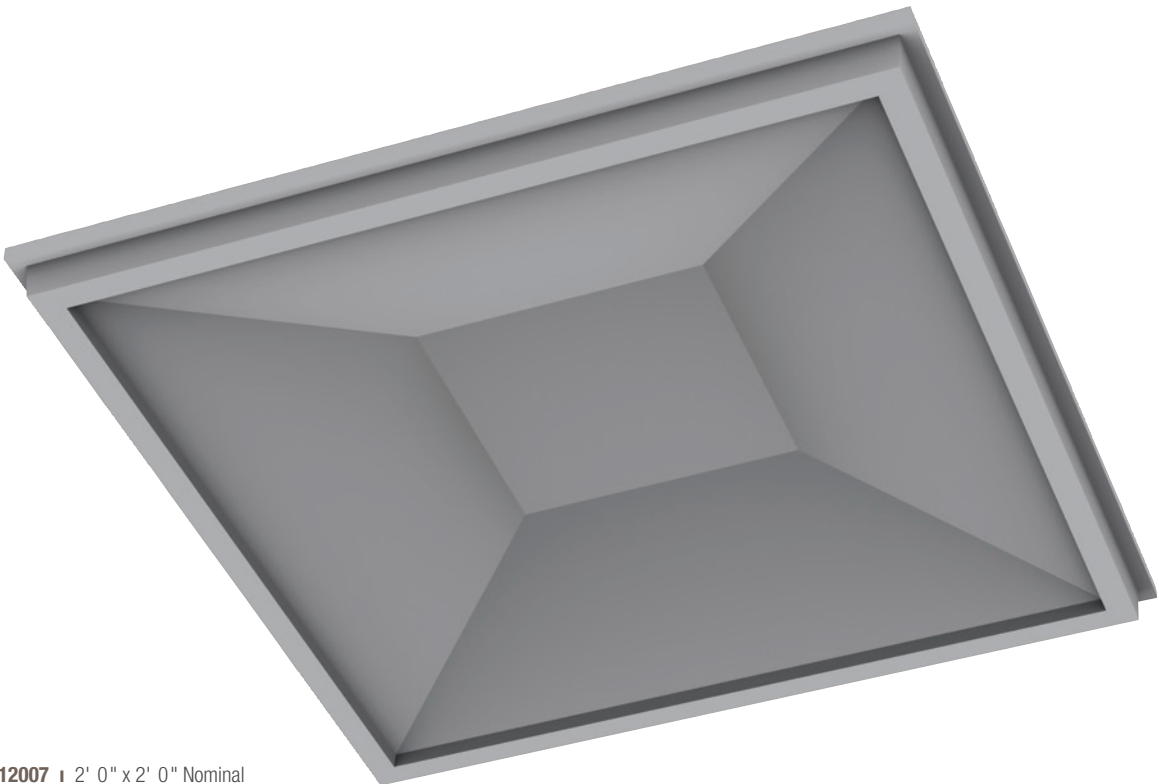


| | | |
|---------|--------|--------|
| PF-7810 | 10' 0" | 1' 10" |
| PF-7812 | 12' 0" | 2' 0" |

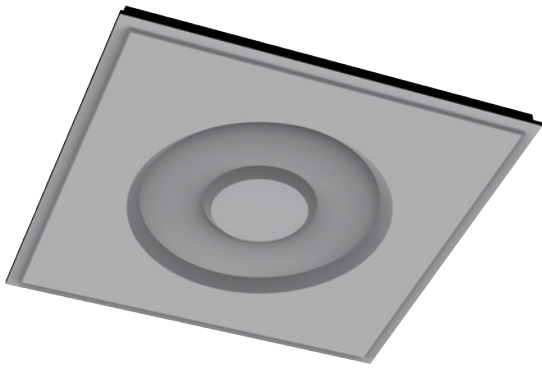
COFFERS



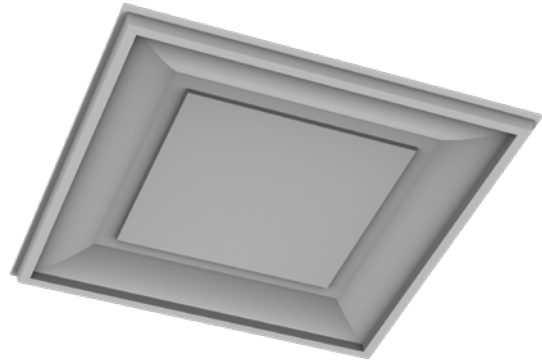
▲ Plasterform™ GRG coffers and cornice; The Rockwell Building, Cleveland, OH; Sandvick Architects and Vocon



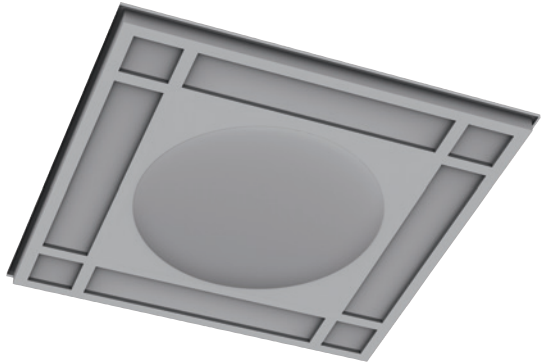
PF-12007 | 2' 0" x 2' 0" Nominal



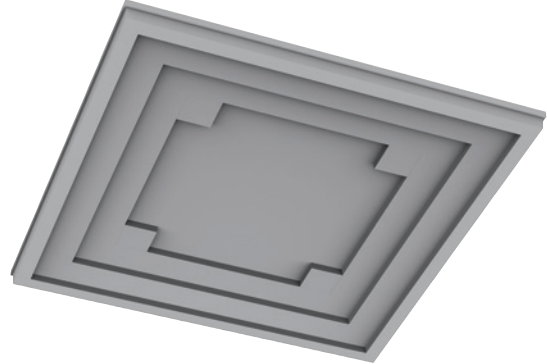
PF-12000 | 2' 0" x 2' 0" Nominal



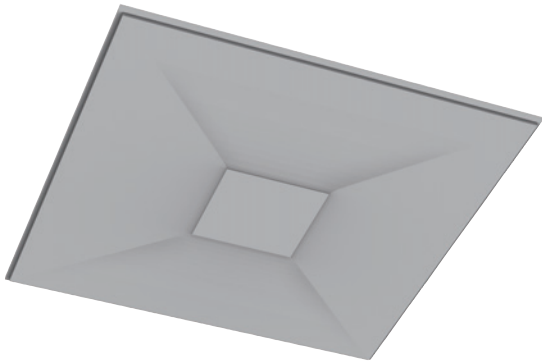
PF-12001 | 2' 0" x 2' 0" Nominal



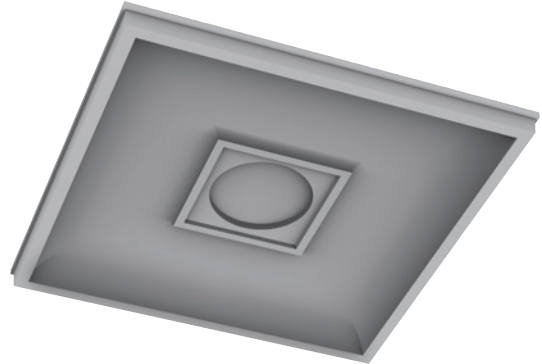
PF-12002 | 2' 0" x 2' 0" Nominal



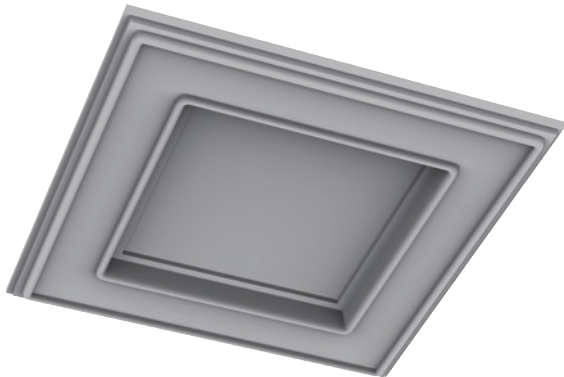
PF-12003 | 2' 0" x 2' 0" Nominal



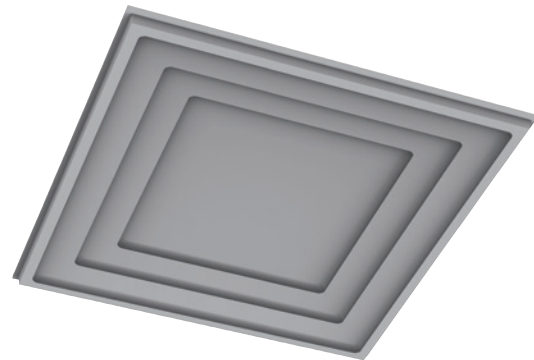
PF-12004 | 2' 0" x 2' 0" Nominal



PF-12005 | 2' 0" x 2' 0" Nominal

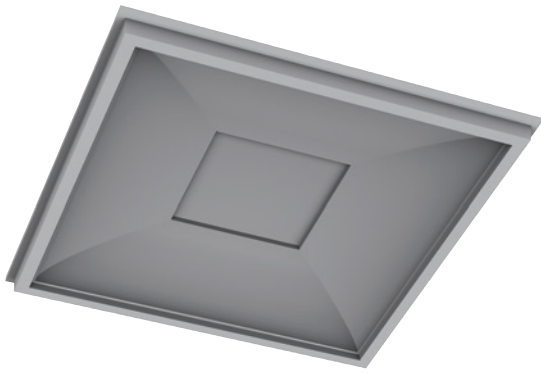


PF-12006 | 2' 0" x 2' 0" Nominal

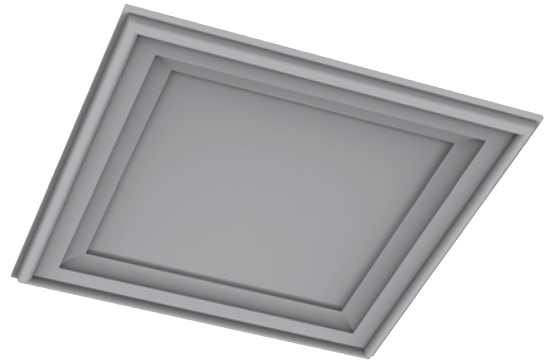


PF-12009 | 2' 0" x 2' 0" Nominal

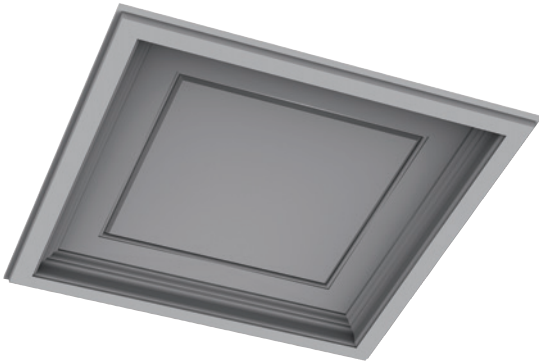
COFFERS



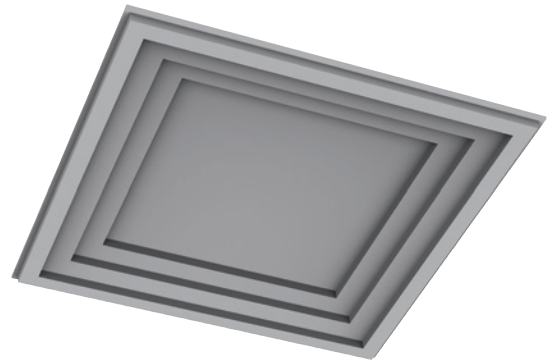
PF-12010 | 2' 0" x 2' 0" Nominal



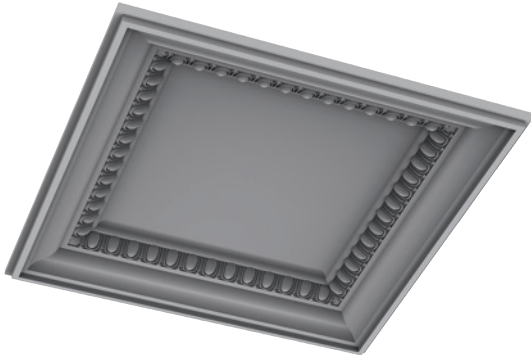
PF-12011 | 2' 0" x 2' 0" Nominal



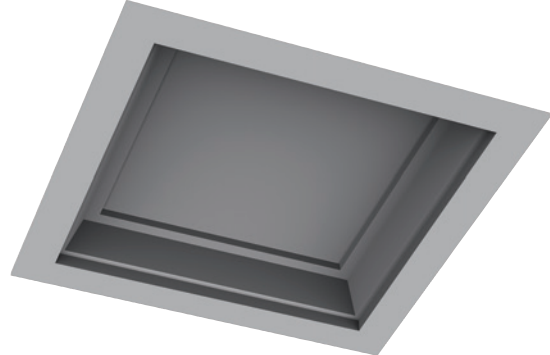
PF-12012 | 2' 0" x 2' 0" Nominal



PF-12013 | 2' 0" x 2' 0" Nominal



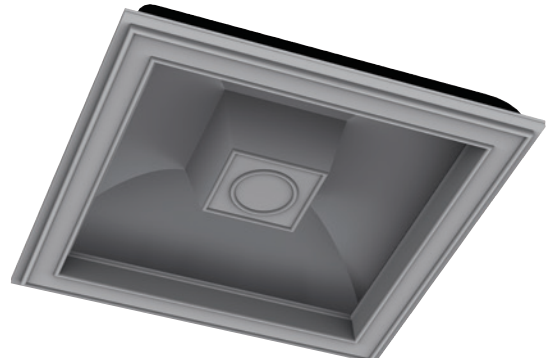
PF-12015 | 2' 0" x 2' 0" Nominal



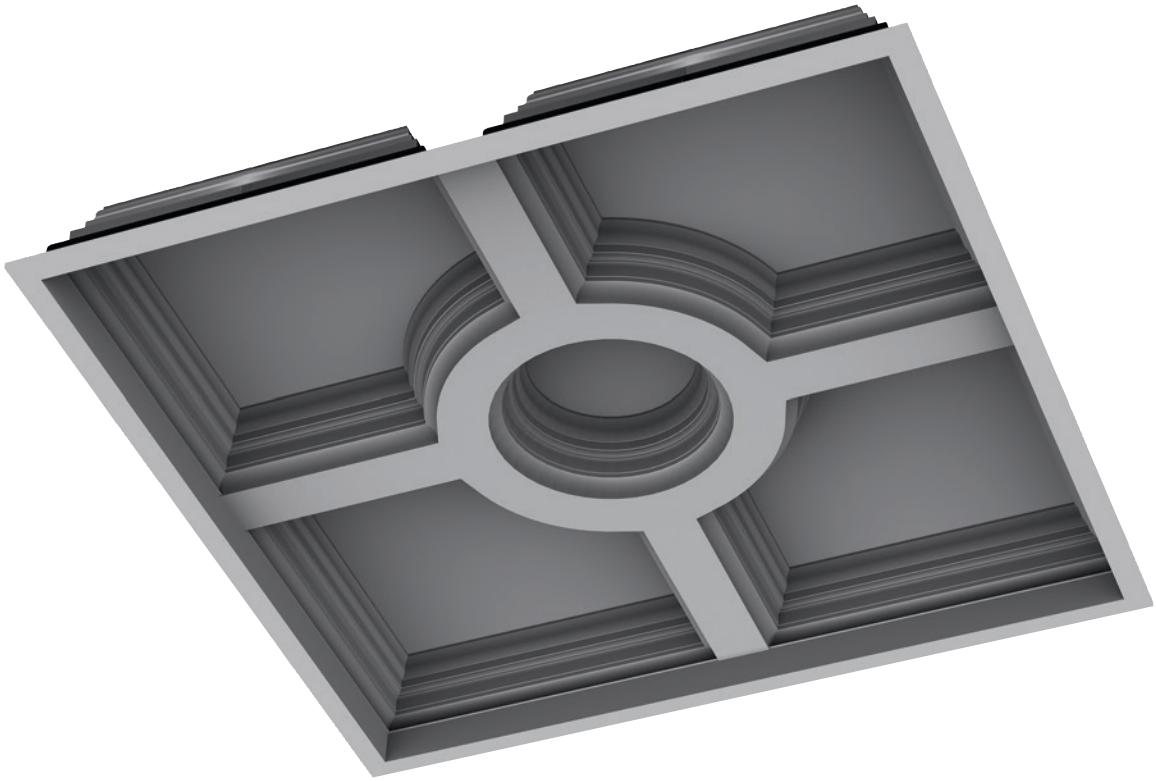
PF-14001 | 5' 0" x 5' 0" Nominal



PF-14005 | 4' 9-1/2" x 4' 9-1/2" Nominal



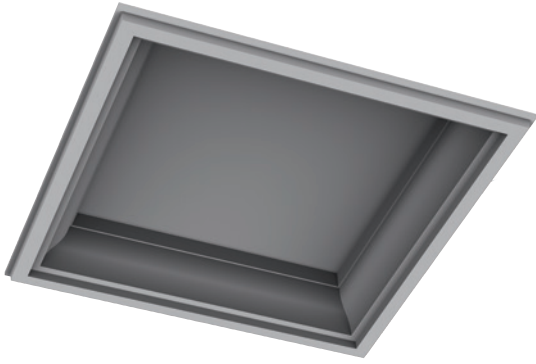
PF-14006 | 4' 9-1/2" x 4' 9-1/2" Nominal



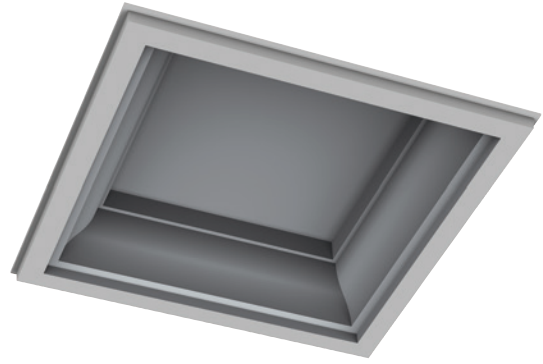
PF-14014A | 5' 9" x 5' 9" Nominal



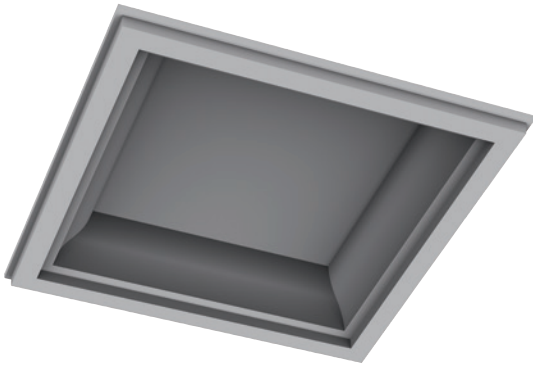
COFFERS



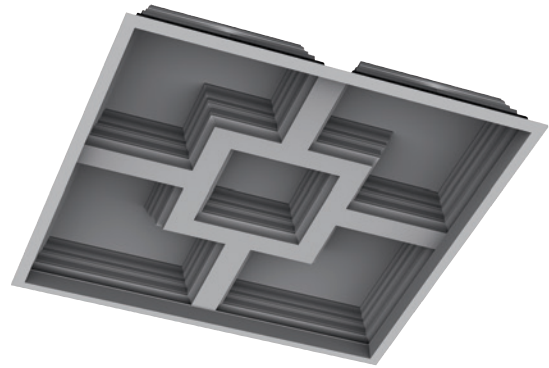
PF-14009 | 4' 0" x 4' 0" Nominal



PF-14010 | 3' 0" x 3' 0" Nominal



PF-14011 | 3' 0" x 3' 0" Nominal



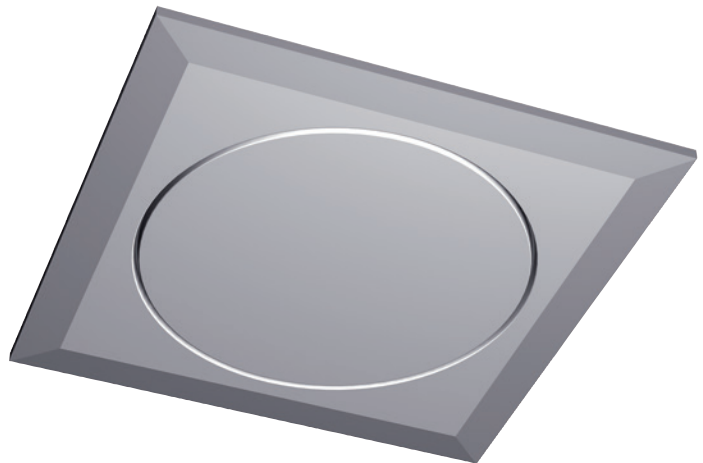
PF-14014 | 5' 9" x 5' 9" Nominal



| MODEL NO. | DOOR SIZE | FRAME SIZE |
|-----------|-----------|------------|
| PF-15018A | 18" x 18" | 24" x 24" |
| PF-15024A | 24" x 24" | 30" x 30" |
| PF-15030A | 30" x 30" | 36" x 36" |

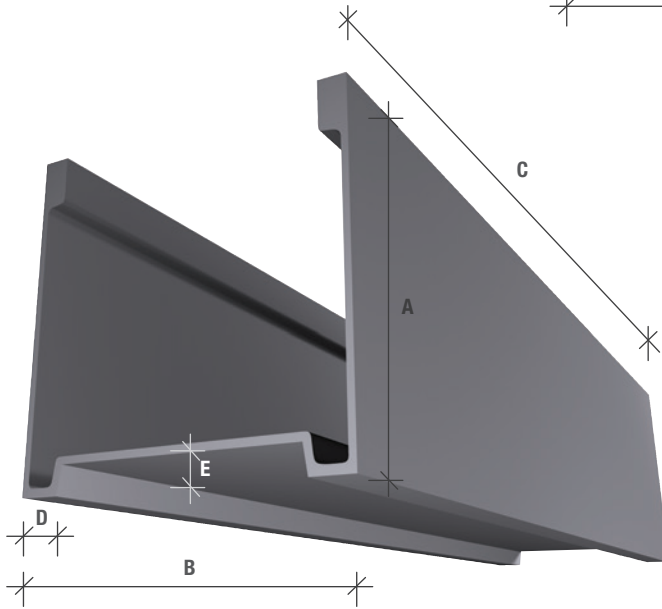
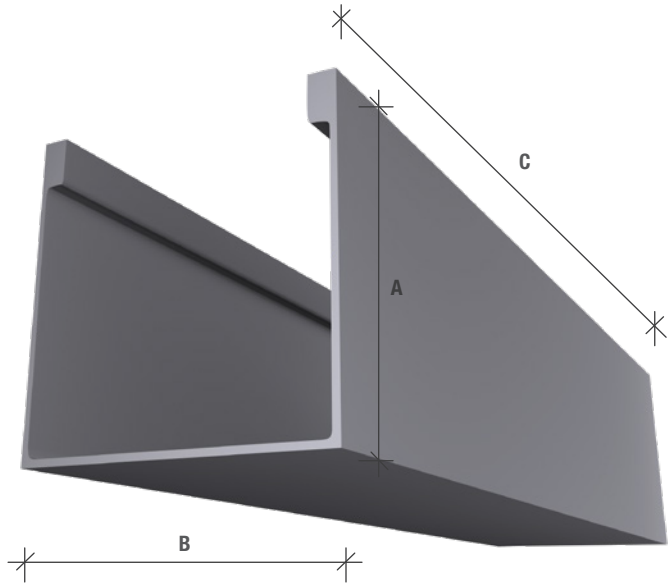


| MODEL NO. | DOOR SIZE | FRAME SIZE |
|-----------|-----------|------------|
| PF-15018B | 18" x 18" | 24" x 24" |
| PF-15024B | 24" x 24" | 30" x 30" |
| PF-15030B | 30" x 30" | 36" x 36" |



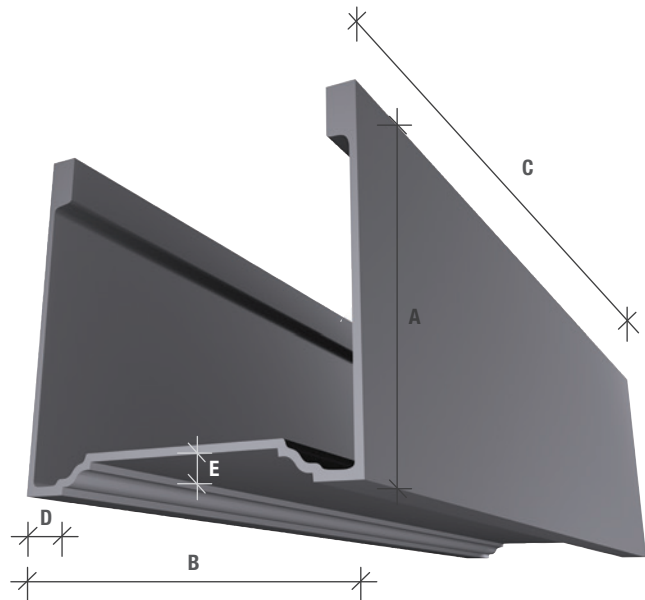
| MODEL NO. | DOOR SIZE | FRAME SIZE |
|-----------|-----------|------------|
| PF-15018C | 18" Ø | 24" x 24" |
| PF-15024C | 24" Ø | 30" x 30" |
| PF-15030C | 30" Ø | 36" x 36" |

| MODEL NO. | A | B | C |
|-----------|-----|-----|-------|
| PF-13006 | 6" | 9" | 8' 0" |
| PF-13009 | 9" | 9" | 8' 0" |
| PF-13012 | 12" | 12" | 8' 0" |
| PF-13018 | 18" | 12" | 8' 0" |



| MODEL NO. | A | B | C | D | E |
|-----------|-----|-----|-------|--------|------|
| PF-13106 | 6" | 9" | 8' 0" | 1" | 3/4" |
| PF-13109 | 9" | 9" | 8' 0" | 1" | 3/4" |
| PF-13112 | 12" | 12" | 8' 0" | 1-1/2" | 1" |
| PF-13118 | 18" | 12" | 8' 0" | 1-1/2" | 1" |

| MODEL NO. | A | B | C | D | E |
|-----------|-----|-----|-------|--------|------|
| PF-13206 | 6" | 9" | 8' 0" | 1" | 3/4" |
| PF-13209 | 9" | 9" | 8' 0" | 1" | 3/4" |
| PF-13212 | 12" | 12" | 8' 0" | 1-1/2" | 1" |
| PF-13218 | 18" | 12" | 8' 0" | 1-1/2" | 1" |

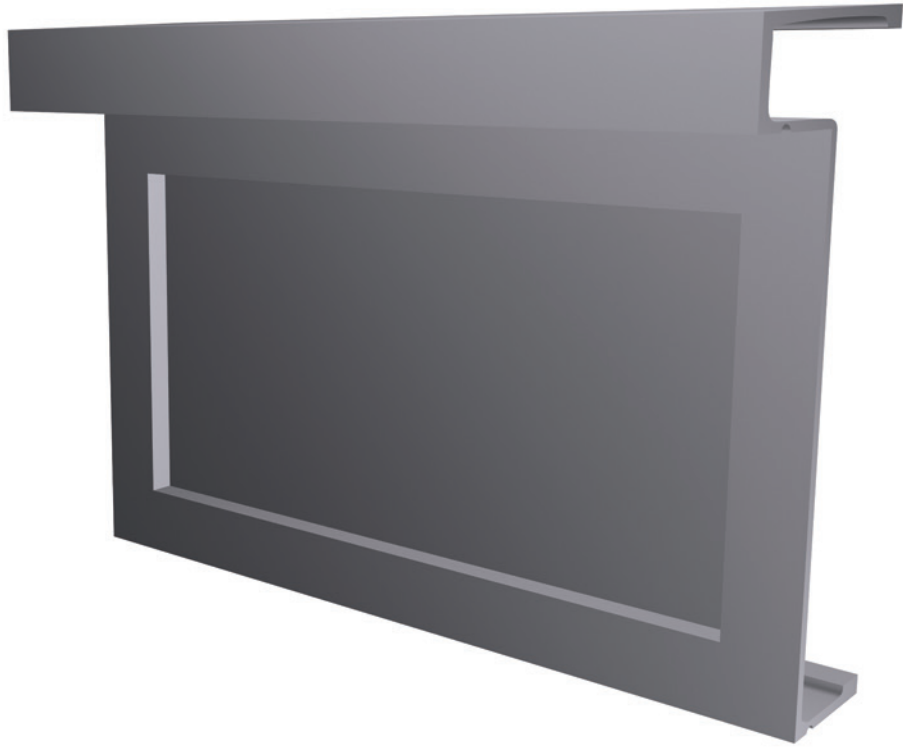


WALLS

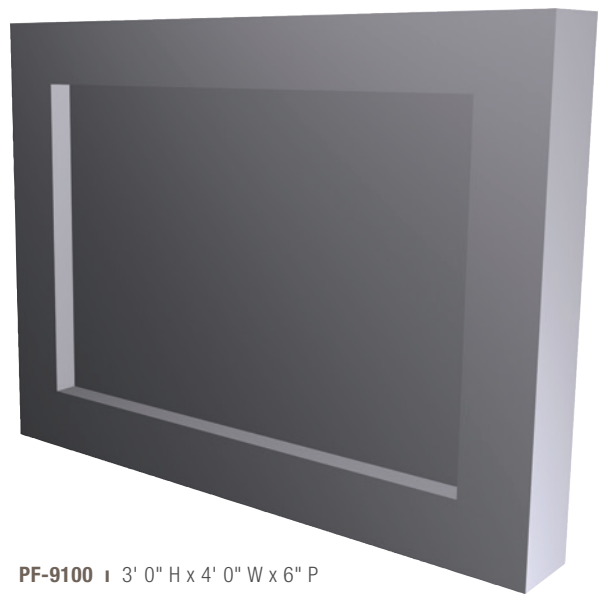
Forgo the everyday and give your space a custom focal point with dramatic dimension and detail.

▼ Plasterform™ GRG custom wall panels; Experimental Media and Performing Arts Center, Troy, NY; Grimshaw Architects and Davis Brody Bond





PF-9000 | 4' 6" H x 5' 0" W x 6" P



PF-9100 | 3' 0" H x 4' 0" W x 6" P



PF-19042 | 2' 0" H x 1' 3" W x 7-1/2" D

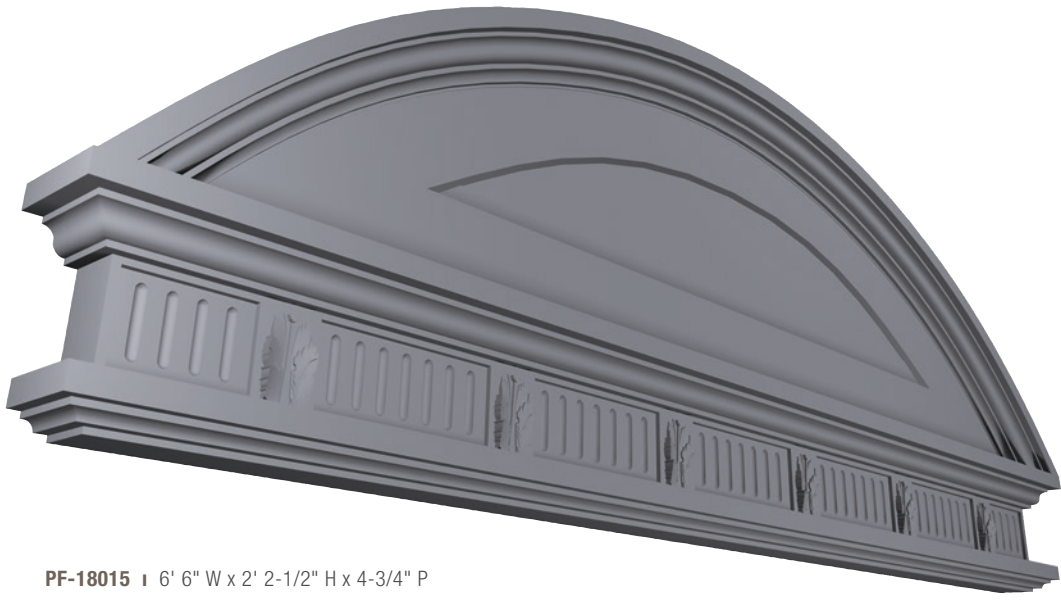


PF-19043 | 3' 0" H x 1' 9-1/2" W x 10-3/4" D



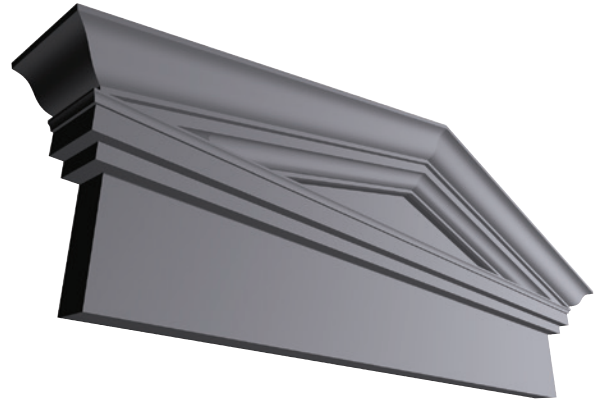
PF-19044 | 4' 0" H x 2' 6" W x 1' 3" D

PEDIMENTS

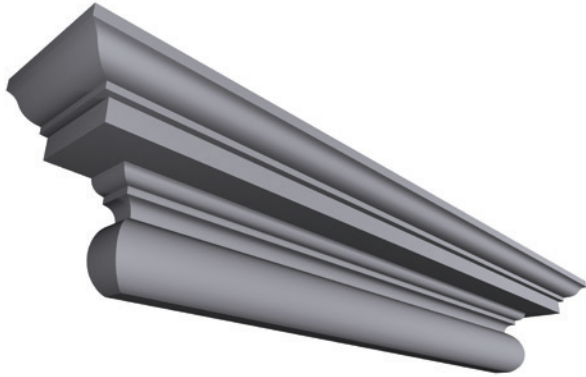


PF-18015 | 6' 6" W x 2' 2-1/2" H x 4-3/4" P





PF-18018 | 8' 5-1/2" W x 2' 7-5/8" H x 7-1/4" P



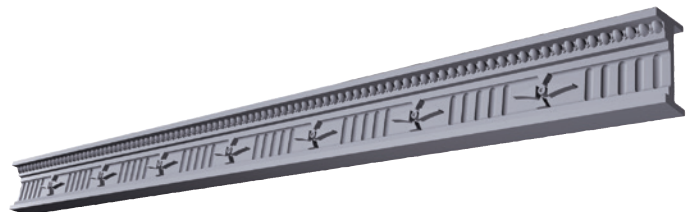
PF-18013 | 8' 0" W x 1' 4-5/8" H x 1' 2-1/8" P



PF-18025 | 1' 2-3/8" H x 4-3/8" P



PF-18026 | 11-3/16" H x 4" P



PF-18028 | 10-1/2" H x 6-1/2" P



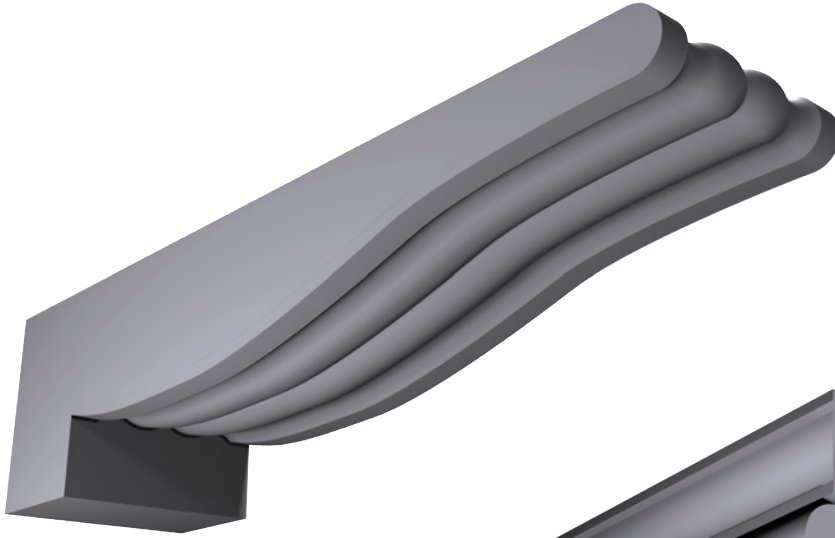
▲ Plasterform™ GRG moldings and ornamental details; St. James Building, Jacksonville, FL; Saxelbye, Powell, Roberts & Ponder, Inc

ORNAMENTAL DETAILS

Create delicate adornments including corbels, brackets, and finials, or magnificent domes and majestic steeples with Plasterform™.



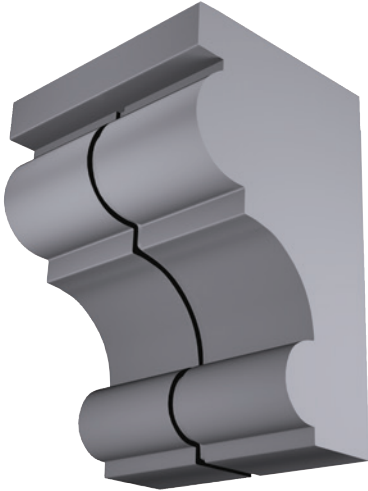




PF-19002 | 1' 4" W x 10" H x 3' 3" P



PF-19012 | 2' 5" W x 1' 5" H x 1' 11-1/2" P



PF-19025 | 1' 6" W x 2' 0" H x 1' 3" P



PF-19033 | 8-1/2" W x 7" H x 9-1/4" P



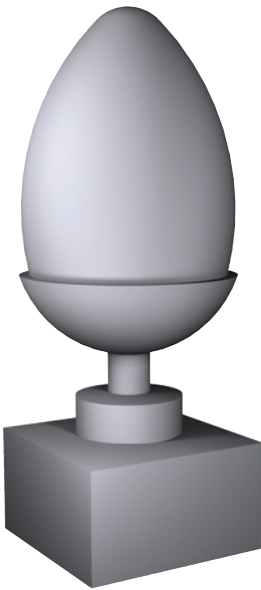
PF-19034 | 8-1/2" W x 7" H x 1' 1-3/4" P



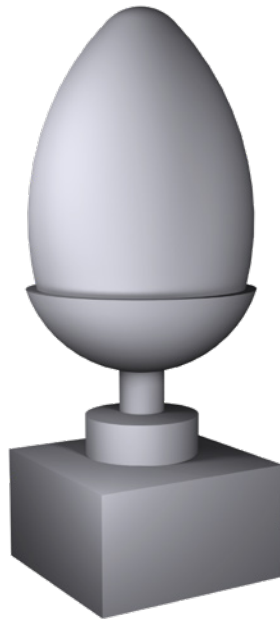
PF-19036 | 9" W x 1' 0" H x 1' 1-1/2" P



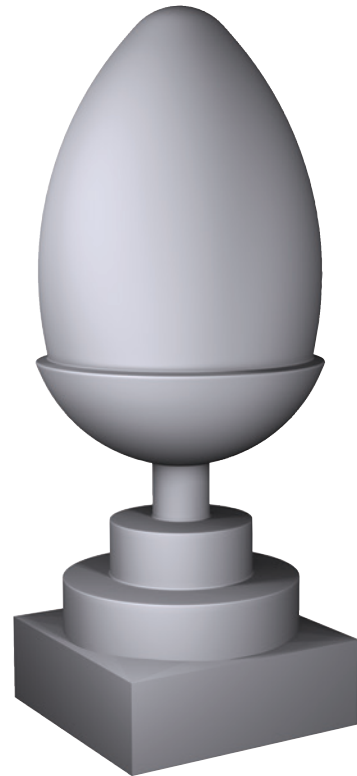
PF-19038 | 6" W x 1' 0" H x 3' 6" P



PF-19021 | 1' 3/8" H x 4-15/16" W



PF-19023 | 2' 9-1/2" H x 1' 1-15/16" W



PF-19024 | 3' 8" H x 1' 5-1/2" W



PF-19410 | 27' 8-5/8" H x 11' 3" W



PF-19420 | 12' 6" H x 9' 4" W



PF-19430 | 7' 0" H x 3' 6" W

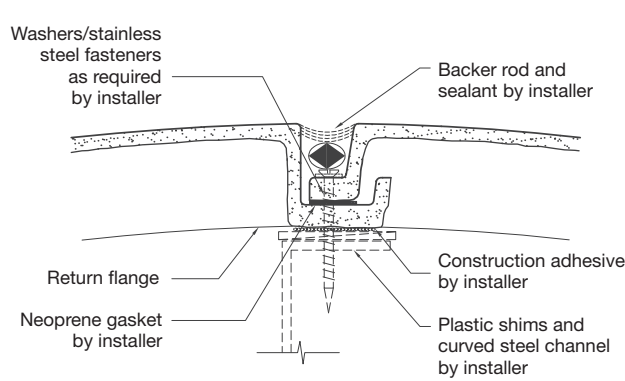


PF-19510 | 5' 5-1/2" W x 25' 10" H

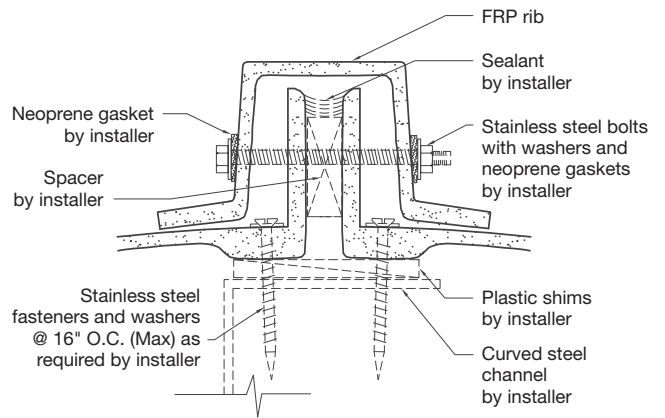


| MODEL NO. | DIAMETER | RISE | NO. OF PIECES | MODEL NO. | DIAMETER | RISE | NO. OF PIECES |
|-----------|----------|-------|---------------|-----------|----------|-------|---------------|
| PF-19705 | 5' 0" | 2' 6" | 1 | PF-19708 | 8' 0" | 4' 0" | 4 |
| PF-19706 | 6' 0" | 3' 0" | 1 | PF-19712 | 12' 0" | 6' 0" | 6 |

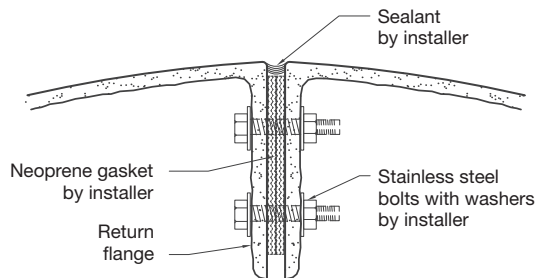
INSTALLATION DETAILS



FRP Dome Joint – Option #1



FRP Dome Joint – Option #2



FRP Dome Joint – Option #3

| | | | |
|---|-----------|--|-----------|
| COLUMNS | 8 | PF-8030, PF-8031, PF-8032 | 55 |
| CYLINDRICAL (Chart) | 12 | PF-8033, PF-8035, PF-8036 | 56 |
| PF-1006, PF-1008, PF-1010 | 12 | PF-8038, PF-8039, PF-8040 | 57 |
| PF-1012 to PF-1016, PF-1018 to PF-1024..... | 12 | PF-8042, PF-8043 | 57 |
| PF-1026 to PF-1030, PF-1032 to PF-1036..... | 12 | PF-8045, PF-8046 | 58 |
| PF-1038, PF-1040, PF-1042, PF-1044 | 12 | VAULTS (Charts)..... | 58 |
| PF-1048, PF-1050, PF-1052, PF-1060 | 12 | PF-7008, PF-7010, PF-7012 | 58 |
| PF-1064 | 12 | PF-7508, PF-7510, PF-7512 | 59 |
| RECESSED (Chart) | 13 | PF-7808, PF-7810, PF-7812 | 59 |
| PF-1006R, PF-1008R, PF-1010R | 13 | COFFERS | 60 |
| PF-1012R to PF-1016R, PF-1018R to PF-1024R... | 13 | PF-12000 to PF-12006 | 61 |
| PF-1026R to PF-1030R, PF-1032R to PF-1036R..... | 13 | PF-12007 | 60 |
| PF-1038R, PF-1040R, PF-1042R, PF-1044R..... | 13 | PF-12009 | 61 |
| PF-1048R, PF-1050R, PF-1052R, PF-1060R..... | 13 | PF-12010 to PF-12013, PF-12015..... | 62 |
| PF-1064R | 13 | PF-14001, PF-14005, PF-14006 | 62 |
| ELLIPTICAL (Chart) | 14 | PF-14009, PF-14010, PF-14011, PF-14014..... | 64 |
| PF-4218, PF-4222, PF-4224, PF-4230 | 14 | PF-14014A | 63 |
| PF-4236, PF-4242, PF-4248 | 14 | ACCESS PANELS (Charts) | 65 |
| CONICAL (Chart) | 14 | PF-15018A, PF-15024A, PF-15030A | 65 |
| PF-4025, PF-4032, PF-4033, PF-4065..... | 14 | PF-15018B, PF-15024B, PF-15030B | 65 |
| PF-4068, PF-4069, PF-4070, PF-4071 | 14 | PF-15018C, PF-15024C, PF-15030C..... | 65 |
| PF-4072..... | 14 | BEAMS (Charts) | 66 |
| TUSCAN (Chart) | 15 | PF-13006, PF-13009, PF-13012, PF-13018..... | 66 |
| PF-2003, PF-2007, PF-2008, PF-2013A | 15 | PF-13106, PF-13109, PF-13112, PF-13118 . | 66 |
| PF-2015, PF-2019, PF-2019E, PF-2030..... | 15 | PF-13206, PF-13209, PF-13212, PF-13218..... | 66 |
| PF-2041, PF-2043, PF-2050, PF-2053 | 15 | WALLS | 67 |
| PF-2070, PF-2079, PF-2086, PF-2101 | 15 | PANELS | 68 |
| PF-2105, PF-2109, PF-2112, PF-2120 | 15 | PF-9000, PF-9100, PF-9200 | 68 |
| PF-2122, PF-2132 | 15 | NICHES | 69 |
| GREEK DORIC (Chart) | 16 | PF-19032, PF-19042, PF-19043, PF-19044 | 69 |
| PF-4401 to PF-4406 | 16 | PEDIMENTS | 70 |
| SQUARE & OCTAGONAL (Chart)..... | 17 | PF-18015 | 70 |
| PF-4440, PF-4441, PF-4442, PF-4450 | 17 | PF-18013, PF-18018 | 71 |
| PF-4451, PF-4452 | 17 | PF-18025, PF-18026, PF-18028 | 72 |
| CUSTOM | 18 | ORNAMENTAL DETAILS | 73 |
| PF-4000 | 19 | BRACKETS & CORBELS | 74 |
| PF-4002 | 18 | PF-19002, PF-19012, PF-19025 | 74 |
| PF-4007, PF-4009, PF-4010, PF-4011 | 19 | PF-19033, PF-19034 | 74 |
| PF-4012 | 19 | PF-19036, PF-19038 | 75 |
| PF-4013 | 20 | FINIALS | 75 |
| PF-4015, PF-4016, PF-4017, PF-4019 | 21 | PF-19021, PF-19023, PF-19024 | 75 |
| PF-4020, PF-4026 | 21 | CUPOLAS & STEEPLES | 76 |
| PF-4029, PF-4030, PF-4034, PF-4037 | 22 | PF-19410 | 76 |
| PF-4047 | 22 | PF-19420, PF-19430, PF-19510 | 77 |
| PF-4049, PF-4050, PF-4051, PF-4059 | 23 | DOMES (Chart) | 78 |
| PF-4067 | 23 | PF-19705, PF-19706, PF-19708, PF-19712 | 78 |
| FLUTED SHAFTS | 24 | CAPITALS & BASES | 25 |
| PF-4410, PF-4411, PF-4412 | 24 | PF-3000, PF-3001, PF-3011, PF-3015 | 25 |
| | | PF-3016, PF-3020, PF-3024, PF-3027 | 25 |
| | | PF-3028, PF-3029 | 26 |
| | | PF-3044 | 29 |
| | | PF-3046, PF-3057 | 27 |
| | | PF-3061 | 26 |
| | | PF-3063, PF-3075, PF-3076, PF-3079 | 27 |
| | | PF-3080, PF-3086 | 27 |
| | | PF-3093, PF-3094, PF-3099, PF-3101 | 28 |
| | | PF-3102, PF-3106, PF-3108 | 28 |
| | | MOLDINGS | 31 |
| | | CORNICE / LIGHT TROUGH | 34 |
| | | PF-6000, PF-6007, PF-6009, PF-6010 | 34 |
| | | PF-6011, PF-6015, PF-6017A, PF-6018 | 34 |
| | | PF-6019, PF-6021, PF-6025, PF-6028 | 35 |
| | | PF-6033, PF-6035, PF-6038, PF-6043 | 35 |
| | | PF-6045, PF-6046, PF-6049, PF-6053 | 36 |
| | | PF-6057, PF-6060, PF-6063, PF-6064 | 36 |
| | | PF-6068, PF-6070A, PF-6070B | 37 |
| | | PF-6078, PF-6079, PF-6080, PF-6082..... | 37 |
| | | PF-6086 | 37 |
| | | PF-6089, PF-6091, PF-6108, PF-6109 | 38 |
| | | PF-6124, PF-6130, PF-6137, PF-6141 | 38 |
| | | PF-6143, PF-6160, PF-6164, PF-6165 | 39 |
| | | PF-6169, PF-6176, PF-6177, PF-6183 | 39 |
| | | PF-6199, PF-6205, PF-6212, PF-6213 | 40 |
| | | PF-6214, PF-6215, PF-6216, PF-6217 | 40 |
| | | PF-6218 | 41 |
| | | LIGHT COVE (Chart) | 41 |
| | | PF-10003, PF-10004, PF-10005, PF-10006..... | 41 |
| | | PF-10008, PF-10010, PF-10011, PF-10012 | 41 |
| | | PF-10015, PF-10018, PF-10020, PF-10024 | 41 |
| | | PF-10030, PF-10036, PF-10048 | 41 |
| | | TRIM | 42 |
| | | PF-16009, PF-16010, PF-16011, PF-16012 | 42 |
| | | PF-16015 to PF-16021, PF-16023 | 43 |
| | | PF-16024, PF-16026, PF-16027, PF-16028 | 44 |
| | | PF-16029, PF-16030, PF-16031, PF-16032 | 44 |
| | | CEILING | 45 |
| | | DOMES | 47 |
| | | PF-8002, PF-8003, PF-8005, PF-8005B | 47 |
| | | PF-8006, PF-8006A, PF-8007, PF-8008 | 48 |
| | | PF-8009, PF-8010, PF-8011, PF-8011A | 49 |
| | | PF-8012, PF-8013, PF-8014, PF-8015 | 50 |
| | | PF-8016, PF-8017, PF-8018, PF-8019 | 51 |
| | | PF-8020, PF-8021, PF-8022 | 52 |
| | | PF-8024, PF-8025, PF-8027, PF-8028 | 53 |
| | | PF-8026, PF-8029 | 54 |

TAKE THE NEXT STEP

1 877 276 7876

Customer Service Representatives
7:45 a.m. to 5:00 p.m. EST
Monday through Friday
General Inquiries: info@plasterform.com

armstrongceilings.com/plasterform

Latest product news
CAD files
Product literature and samples
Contacts – reps, where to buy, who will install

YOU INSPIRE™ SOLUTIONS CENTER

email: solutionscenter@armstrongceilings.com
armstrongceilings.com/youinspire

Design Assistance

Collaborative design
Detail drawings
Specifications
Planning and budgeting

Pre-construction Assistance

Layout drawings for standard
and premium products
Project installation recommendations
Contractor installation assistance

you inspire™
solutions center

helping to bring your one-of-a-kind ideas to life

FSC® is a registered trademark of FSC Forest Stewardship Council®, A.C., license code FSC-C007626
Bondo® is a registered trademark of 3M®
All other trademarks used herein are the property of AWI Licensing LLC and/or its affiliates
© 2019 AWI Licensing LLC Printed in the United States of America

armstrongceilings.com/plasterform

On the cover: ►

Plasterform™ GRG custom wall panels;
U.S. Census Bureau Headquarters, Suitland, MD;
Skidmore, Owings & Merrill LLP


CEILING & WALL SOLUTIONS