



DynaMax® Plus Structural Grid System is here. This NEW structural grid solution provides the accessibility and flexibility benefits of DynaMax® grid, plus even greater load-carrying capacity and construction efficiency with 6' and 8' rod drop spacing.

KEY FEATURES & BENEFITS

- Allows for increased threaded rod drop spacing (6' and 8' vs. typical 4'), reducing installation time and materials needed
- 6' spacing allows for direct attachment to steel joists or pre-cast concrete tees
- Spanning 6' or more eliminates the need for slotted strut channel at deck/roof level and creates more space for critical MEP components
- Installation process is the same as the existing DynaMax grid system with notched grid members

ELIMINATE UP TO
1/2
OF THREADED ROD
DROPS NEEDED

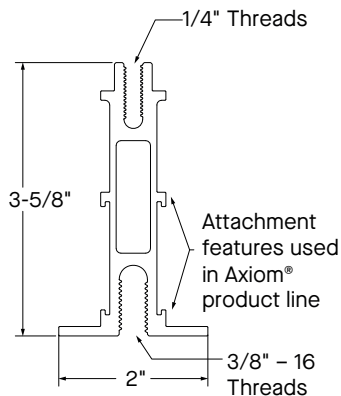
DYNAMAX® PLUS STRUCTURAL GRID SYSTEM

HANG TOUGH-ER

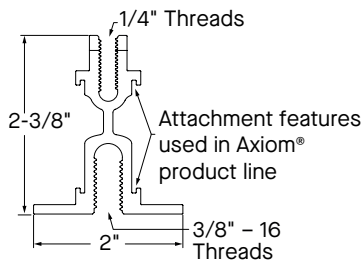


Armstrong®
World Industries

NEW DYNAMAX® PLUS PROFILE



DYNAMAX® PROFILE



MORE ABOUT DYNAMAX® PLUS GRID

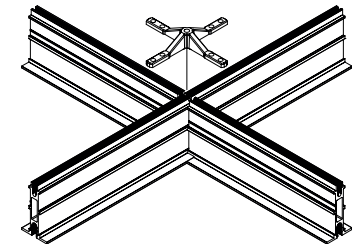
- Main beams and cross tees are 1-1/4" taller than today's DynaMax® system, enabling increased spacing between threaded rods (6' or 8') while ALSO providing threaded rod drops
- Two additional cross tees in 6' or 8' cross tees are available
- Unlike comparable systems that can span greater than 4', DynaMax Plus main beams are notched every 2' O.C. with accessories that have ribs designed to quickly square and fit into these notches
- Seamless integration with conventional Prelude® 15/16" grid via Axiom® T-bar connector clips (AXTBC)
- Compatible with the same lighting, diffuser, and air containment solutions as today's DynaMax grid

COMMON APPLICATIONS

- Support for suspended ceiling assemblies, e.g., Arktura™, ACGI/Woodworks®, Plasterform™ Medical or Healthcare Facilities
- Laboratories and Clean Rooms
- Retail and Grocery Stores
- Distribution/Industrial Warehouses
- Broadcast Studios
- Casinos, Sports Arenas, and Convention Centers
- Data Centers

ADDITIONAL RESOURCES

- [Data Page](#)
- [Technical Guide](#)
- ["Tailgate Talk" Video](#)
- [Installation Instructions](#)
- [Data Center Solutions Brochure](#)



Compare the two systems at armstrongceilings.com/structuralgrid