



Flush transitions are a common condition in many ceiling assemblies. Pre-engineered solutions simplify transitioning from same-height ceiling, while improving productivity compared to traditional framing methods.

KEY FEATURES AND BENEFITS

Labor Savings

- Reduce material needed to construct the transition
- Pre-engineered, integral components simplify installation

Time Savings

- Eliminating unnecessary gyp-board speeds up construction
- CAD drawings available making it easier to detail
- Minimize trade coordination with 40% faster installation time

Better Visual

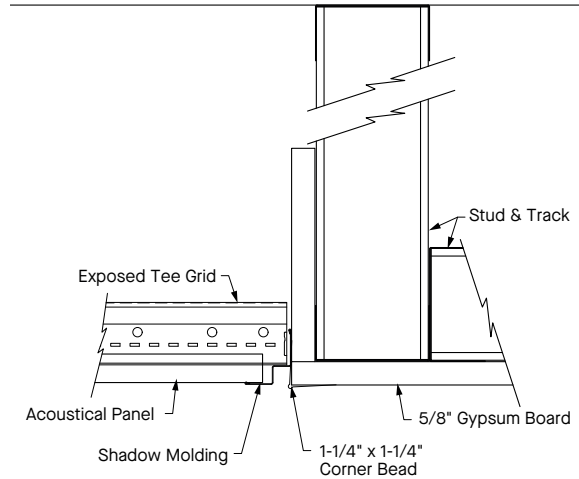
- Transitions are factory painted to match Armstrong® suspension systems

STEEL & AXIOM® FLUSH TRANSITIONS A STEP ABOVE

Armstrong®
World Industries

COMPARE THE METHODS

TRADITIONAL FRAMING

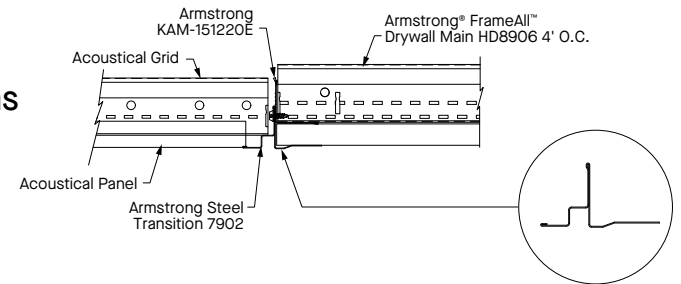


ADDITIONAL RESOURCES

- [Transitions Brochure](#)
- [Data Page – Axiom Transitions](#)
- [Axiom Transitions Webpage](#)
- [NEW "Tailgate Talk" Video](#)

PRE-ENGINEERED STEEL TRANSITIONS

- Steel transitions are factory painted to match Armstrong® acoustical suspension systems
- Fewer parts and pieces; integrates acoustical molding with a drywall taping flange
- Eliminates materials and labor of a vertical drywall return at the transition



PRE-ENGINEERED AXIOM® TRANSITIONS

- Provides more crisp-edge detailing compared to conventional roll-formed steel systems
- Acoustical-to-drywall transitions are available straight and curved for perfect fit and finish every time
- Part of the Sustain™ portfolio and meets the most stringent sustainability compliance standards today

