



STEEL TRANSITIONS

CONSTRUCTION EFFICIENCIES FOR GENERAL CONTRACTORS

WHY USE TRANSITION MOLDINGS?

EASIER TO INSTALL:

- Saves time by eliminating corner bead and reducing tape and joint compound
- Eliminates the vertical rip of drywall, reducing the materials needed on the project
- Compatible with all types of framing including FrameAll™ Drywall Grid and ShortSpan®

EASIER TO DETAIL:

- Available CAD drawings
- Factory painted to match Armstrong® Acoustical Suspension Systems

- 1 BUDGET**
Keeping your project on budget
- 2 SCHEDULE**
Utilizing proven pre-fabricated/modular products to accelerate your construction schedule
- 3 INNOVATION**
Providing you faster ways to control quality and cost through innovative solutions
- 4 SAFETY**
Less time in construction means lowering safety risk

[STEEL TRANSITION
MOLDINGS VIDEO](#)

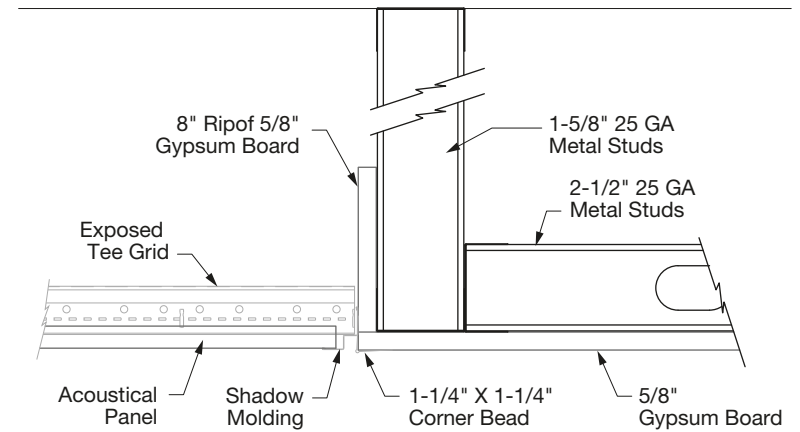


TRANSITIONS

NEXT LEVEL

TRADITIONAL

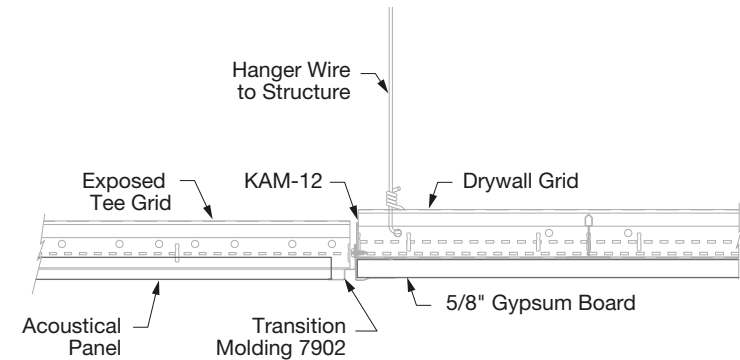
Excessive framing to structure



THE ARMSTRONG WAY

No framing to structure, pre-engineered,
simply use hanger wire

**INSTALLS 40%
FASTER THAN STUD
FRAMING***



CONTACT US NOW TO REVIEW YOUR NEXT PROJECT:

Kory Mackillop –
GC Manager Eastern US
kmackillop@armstrongceilings.com

Paul Luther –
GC Manager Western US
paluther@armstrongceilings.com

* Based on the Armstrong® Time, Material,
and Labor Savings Calculator

All trademarks used herein are the property of AWI Licensing LLC
and/or its affiliates © 2023 AWI Licensing LLC

BPCS-6926-123

Armstrong®
CEILING SOLUTIONS