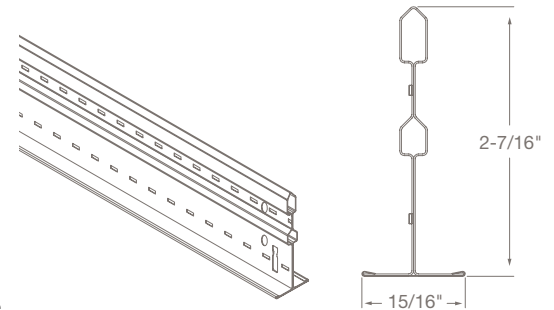




SingleSpan™ Acoustical Corridor System reduces or eliminates hanger wires for faster, easier installation in crowded plenum spaces.

#### KEY FEATURES & BENEFITS

- Reduces or eliminates the need for hanger wires for 6' – 8' spans of 15/16" grid
- Installs faster to help keep larger projects on schedule
- Proves increased accessibility to utilities in the plenum after installation
- Compatible with all Armstrong 9/16" heavy-duty main beams using StrongBack™ support hangers
- Tested and approved for seismic installations with SingleSpan lateral support bar

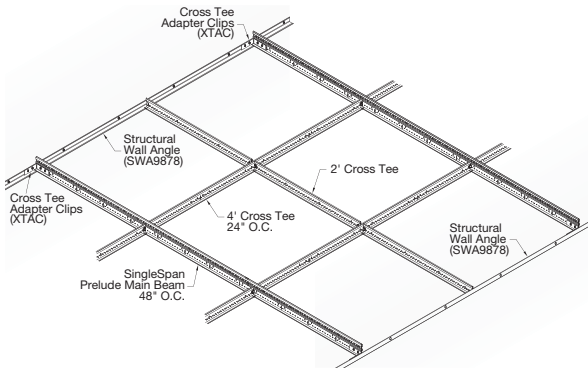


## SINGLESPAN ACOUSTICAL CORRIDOR SYSTEM

# GO WIRELESS

**NON-SEISMIC INSTALLATION**  
**6-FT. SPAN**

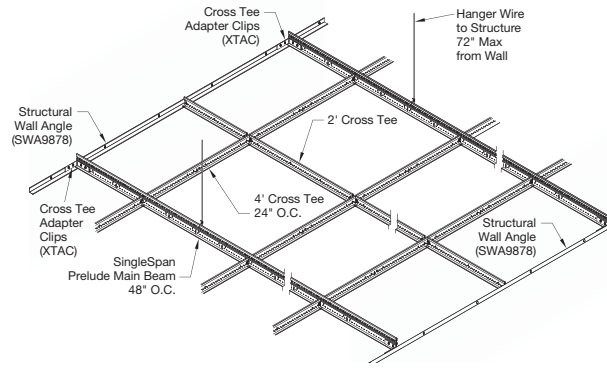
**ZERO**  
**HANGER WIRE**  
**DROPS NEEDED**  
 FOR 6-FT. CEILING SPANS



Compare to traditional main beams with 4-ft. hanger wire spacing that carry 12 lbs./lin. ft.

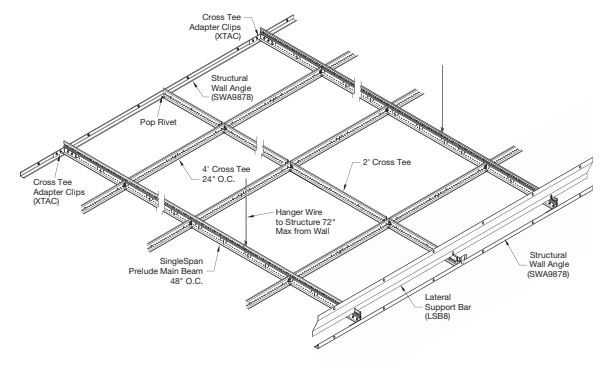
**NON-SEISMIC INSTALLATION**  
**8-FT. SPAN**

**ONE**  
**HANGER WIRE**  
**DROP NEEDED**  
 FOR 8-FT. CEILING SPANS



**SEISMIC INSTALLATION**  
**8-FT. SPAN**

**ONE**  
**HANGER WIRE**  
**DROP NEEDED**  
 FOR 8-FT. CEILING SPANS



**LEARN MORE**

Contact your local ISS and ISSM Rep or visit  
[armstrongceilings.com/SINGLESPAN](http://armstrongceilings.com/SINGLESPAN)

# SINGLESPAN™ GRID

