



Axiom® Ceiling Perimeter System is an extruded aluminum trim solution that provides an aesthetic platform to integrate functions such as drapery pockets, air distribution and changes in ceiling elevation.

KEY SELECTION ATTRIBUTES

- Pre-engineered 2- and 3-sided pockets allow for acoustical and drywall transitions and are compatible with Armstrong® suspension systems
- Axiom is part of the Sustain™ portfolio and meets the most stringent industry sustainability compliance standards today
- CleanAssure™ family of products – includes disinfectable panels, suspension systems, and trim
- Seismic perimeter pocket offers 0.875" flange
- Exposed perimeter pocket offering allows for shade concealment in an exposed structure application. Custom colors available
- No pocket detail allows for custom sized pocket integration into the ceiling plane with no visible fasteners.
- Allows for quality control at the perimeter and reduces risk associated with field-fabricated, labor-intensive accommodation of air distribution, window pockets, and ceiling elevation changes at the perimeter of the ceiling

- Replaces the framing, boarding, taping, mudding, sanding, and painting commonly used for drywall pockets
- Custom slotting, perforating and cutting available
- 10-year Limited Warranty; 30-year System Warranty

COLORS

Standard



White (WH)

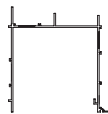


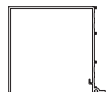




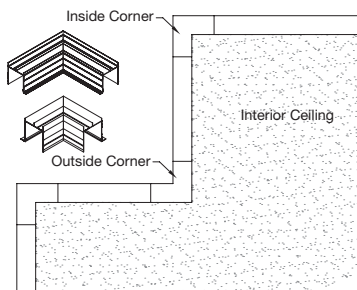
Custom Colors Available*

*Colors that are pre-qualified to meet Sustain™ portfolio requirements are available upon request. Other made-to-order colors must be evaluated if sustainability criteria is required. Lead time will increase.

VISUAL SELECTION

3-SIDED PERIMETER POCKETS AND CORNERS

	Item No.	Description	Dimensions (Inches)	Length	
Acoustical Flange Pockets	AXP355	Perimeter Pocket with Acoustical Flange	5 × 5 × 5"	120"	
	AXP355ISC	Perimeter Pocket with Acoustical Flange – Inside Corner	12 × 5 × 12"	12"	
	AXP355OSC	Perimeter Pocket with Acoustical Flange – Outside Corner	12 × 5 × 12"	12"	
	AXP355MA	Perimeter Pocket with Acoustical Flange for Traditional Framing	5 × 5 × 5"	120"	
	AXP355MAISC	Perimeter Pocket with Acoustical Flange for Traditional Framing – Inside Corner	12 × 5 × 12"	12"	
	AXP355MAOSC	Perimeter Pocket with Acoustical Flange for Traditional Framing – Outside Corner	12 × 5 × 12"	12"	



SHADE POCKETS

Axiom® Ceiling Perimeter System



LEED WELL | LBC

50% RECYCLED CONTENT

- energy management
- construction waste mgmt
- regional materials
- design for flexibility
- ALUMI-NUM
- EPD
- recyclable/repairable producer resp.
- biobased materials
- recycled content
- sourcing of raw materials
- material ingredient reporting
- low emitting materials
- lighting quality
- acoustics

Calculate sustainability with Green Genie
armstrongceilings.com/greengenie

LOCATION DEPENDENT

VISUAL SELECTION

3-SIDED PERIMETER POCKETS AND CORNERS (continued)

	Item No.	Description	Dimensions (Inches)	Length	
Drywall Flange Pockets and Corners	AXP355D	Perimeter Pocket with Drywall Flange	5 × 5 × 5"	120"	
	AXP355DISC	3-Sided Shade Pocket with Drywall Flange – Inside Corner	12 × 5 × 12"	12"	
	AXP355DOSC	3-Sided Shade Pocket with Drywall Flange – Outside Corner	12 × 5 × 12"	12"	
	AXP355MD	Perimeter Pocket with Drywall Flange for Traditional Framing	5 × 5 × 5"	120"	
	AXP355MDISC	Perimeter Pocket with Drywall Flange for Traditional Framing – Inside Corner	12 × 5 × 12"	12"	
	AXP355MDOSC	Perimeter Pocket with Drywall Flange for Traditional Framing – Outside Corner	12 × 5 × 12"	12"	
Exposed Pockets (custom colors available)	AXP35434E	Exposed Application Perimeter Pocket with Closure Clip Attachment	5 × 5 × 5"	120"	
	AXP355ME	Exposed Application Perimeter Pocket for Traditional Framing	5 × 5 × 5"	120"	
	AXP355MEISC	Exposed Application Perimeter Pocket for Traditional Framing – Inside Corner	12 × 5 × 12"	12"	
	AXP355MEOSC	Exposed Application Perimeter Pocket for Traditional Framing – Outside Corner	12 × 5 × 12"	12"	
Seismic Flange Pockets	AXP355S	Perimeter Pocket with Seismic (0.875") Flange	5 × 5 × 5"	120"	
	AXP355SISC	Perimeter Pocket with Seismic (0.875") Flange – Inside Corner	12 × 5 × 12"	12"	
	AXP355SOSC	Perimeter Pocket with Seismic (0.875") Flange – Outside Corner	12 × 5 × 12"	12"	
	AXP355MS	Perimeter Pocket with Seismic (0.875") Flange for Traditional Framing	5 × 5 × 5"	120"	
	AXP355MSISC	Perimeter Pocket with Seismic (0.875") Flange for Traditional Framing – Inside Corner	12 × 5 × 12"	12"	
	AXP355MSOSC	Perimeter Pocket with Seismic (0.875") Flange for Traditional Framing – Outside Corner	12 × 5 × 12"	12"	
2-Sided Acoustical Flange Pocket (used to organize ceiling cutouts or lighting)	AXP3552	Perimeter Pocket with Acoustical Flange on two sides	5 × 5 × 5"	120"	


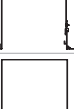


INTEGRATED CEILING SOLUTIONS – Standard

SHADE POCKETS

AXIOM® Ceiling Perimeter System

VISUAL SELECTION

	Item No.	Description	Dimensions (Inches)	Length	
Dual Shade Pockets for Manual and Motorized Shades	AXP3711A	Dual Shade Pocket with Acoustical Flange	7 × 11"	120"	
	AXP3711AN	Dual Shade Pocket with Acoustical Flange No Reveal	7 × 11"	120"	
	AXP3711S	Dual Shade Pocket with Seismic	7 × 11"	120"	
	AXP3711D	Dual Shade Pocket with Drywall Flange	7 × 11"	120"	
	AXP3711DR	Dual Shade Pocket with Drywall with Reveal	7 × 11"	120"	
	AXP3711F	Dual Shade Pocket with Face Plate Attachment	7 × 11"	120"	
	AXP3711WC	Dual Shade Pocket with Wall Clip	7 × 11"	120"	
	AXP3685A	Dual Shade Pocket with Acoustical Flange	6 × 8.5"	120"	
	AXP3685AN	Dual Shade Pocket with Acoustical Flange No Reveal	6 × 8.5"	120"	
	AXP3685S	Dual Shade Pocket with Seismic	6 × 8.5"	120"	
	AXP3685D	Dual Shade Pocket Drywall Flange	6 × 8.5"	120"	
	AXP3685DR	Dual Shade Pocket with Drywall with Reveal	6 × 8.5"	120"	
	AXP3685F	Dual Shade Pocket with Face Plate Attachment	6 × 8.5"	120"	
	AXP3685WC	Dual Shade Pocket with Wall Clip	6 × 8.5"	120"	



SHADE POCKETS AXIOM® Ceiling Perimeter System



LEED WELL LBC

50% RECYCLED CONTENT

energy management
construction waste mgmt
regional materials
design for flexibility
EPD
recyclable/ biobased materials
producer resp.
biobased materials
recycled content
sourcing of low materials
material ingredient reporting
low emitting/ materials
lighting quality
acoustics

Calculate sustainability with Green Genie
armstrongceilings.com/greengenie

LOCATION DEPENDENT

VISUAL SELECTION

2-SIDED PERIMETER POCKETS AND CORNERS

	Item No.	Description	Dimensions (Inches)	Length	
Acoustical Flange Pockets	AXP255	Perimeter Pocket with Acoustical Flange	5 x 5 x 5"	120"	
	AXP255ISC	Perimeter Pocket with Acoustical Flange – Inside Corner	12 x 5 x 12"	12"	
	AXP255OSC	Perimeter Pocket with Acoustical Flange – Outside Corner	12 x 5 x 12"	12"	
	AXP236	3" x 6" Perimeter Pocket with Acoustical Flange	3" x 6"	120"	

NO POCKET DETAILS

(for use with custom-sized pockets)

AXPNP34A	No Pocket 3/4" Acoustical Flange with Closure Clip Attachment	2-11/16" x 3/4"	120"	
AXPNP34NR	No Pocket 3/4" Acoustical flange, no reveal with Closure Clip Attachment	2" x 3/4"	120"	
AXPNP125A	No Pocket 1-1/4" Acoustical Flange with Closure Clip Attachment	2-11/16" x 1-1/4"	120"	
AXPNP38D	No Pocket Drywall – Taping Flange with 3/8" reveal and Closure Clip Attachment	3-7/16" x 1-3/16"	120"	
AXPNPD	No Pocket Drywall Taping Flange with Closure Clip Attachment	2-11/16" x 3/4"	120"	

CONNECTION PERIMETER POCKETS AND CONNECTION ACCESSORIES

3-Sided Pocket and Corners	AXP355C	Perimeter Pocket with Connection to Extension/Face Plate Piece	5 x 5 x 5"	120"	
	AXP355CISC	Perimeter Pocket with Connection to Extension/Face Plate Piece – Inside Corner	12 x 5 x 12"	12"	
	AXP355COSC	Perimeter Pocket with Connection to Extension/Face Plate Piece – Outside Corner	12 x 5 x 12"	12"	
2-Sided Pocket and Corners	AXP255C	Perimeter Pocket with Connection to Extension/Face Plate Piece	5 x 5"	120"	
	AXP255CISC	Perimeter Pocket with Connection to Extension/Face Plate Piece – Inside Corner	12 x 5 x 12"	12"	
	AXP255COSC	Perimeter Pocket with Connection to Extension/Face Plate Piece – Outside Corner	12 x 5 x 12"	12"	
No Pocket Detail	AXPNPFPA	No Pocket with Face Plate and Closure Clip Attachment	3-11/16" x 1/8"	120"	



SHADE POCKETS

AXIOM® Ceiling Perimeter System

VISUAL SELECTION

CONNECTION PERIMETER POCKETS AND CONNECTION ACCESSORIES (continued)

	Item No.	Description	Dimensions (Inches)	Length	
Extensions (custom slotting, perforating and cutouts available) Pre-engineered 10' (120") perimeter extensions integrate with perimeter pockets to create larger pockets and higher ceiling elevations.	AXPEP4	4" Axiom Perimeter Extension	4"	120"	
	AXPEP6	6" Axiom Perimeter Extension	6"	120"	
	AXPEP8	8" Axiom Perimeter Extension	8"	120"	
	AXPEP4H	4" Axiom Perimeter Extension – Hook on Both Sides	4"	120"	
	AXPEPS6	6" Seismic Perimeter Extension with 0.875" Flange	6"	120"	
Face Plates (custom slotting, perforating and cutouts available) Pre-engineered 10' (120") extruded aluminum face plates integrate with perimeter pockets and can be slotted to allow for air distribution along the perimeter of a space.	AXPDFP4	4" Axiom® Perimeter Face Plate with Acoustical Flange – Unslotted	4" Unslotted	120"	
	AXPDFP4SLA	4" Axiom Perimeter Face Plate with Acoustical Flange – 2-Slot Pattern	4" Slotted, 3/4" x 23"	120"	
	AXPDFP4SLB	4" Axiom Perimeter Face Plate with Acoustical Flange – 1-Slot Pattern	4" Slotted, 2-3/4" x 23"	120"	
	AXPDFP7	7" Axiom Perimeter Face Plate with Acoustical Flange – Unslotted	7" Unslotted	120"	
	AXPDFP7SLA	7" Axiom Perimeter Face Plate with Acoustical Flange – 2-Slot Pattern	7" Slotted, 3/4" x 23"	120"	
	AXPDFP7SLB	7" Axiom Perimeter Face Plate with Acoustical Flange – 1-Slot Pattern	7" Slotted, 2-3/4" x 23"	120"	
	AXPDFP7DT	7" Axiom Seismic Perimeter Face Plate with 0.875" Flange – Unslotted	7" Unslotted	120"	
	AXPDFP7DTSLA	7" Axiom Seismic Perimeter Face Plate with 0.875" Flange – 2-Slot Pattern	7" Slotted, 3/4" x 23"	120"	
	AXPDFP7DTSLB	7" Axiom Seismic Perimeter Face Plate with 0.875" Flange – 1-Slot Pattern	7" Slotted, 2-3/4" x 23"	120"	
	AXPDFP4DT	4" Axiom Perimeter Face Plate with Drywall Flange – Unslotted	4" Unslotted	120"	
	AXPDFP4DTSLA	4" Axiom Perimeter Face Plate with Drywall Flange – 2-Slot Pattern	4" Slotted, 3/4" x 23"	120"	
	AXPDFP4DTSLB	4" Axiom Perimeter Face Plate with Drywall Flange – 1-Slot Pattern	4" Slotted, 2-3/4" x 23"	120"	
	AXPDFP7DT	7" Axiom Perimeter Face Plate with Drywall Flange – Unslotted	7" Unslotted	120"	
	AXPDFP7DTSLA	7" Axiom Perimeter Face Plate with Drywall Flange – 2-Slot Pattern	7" Slotted, 3/4" x 23"	120"	
AXPDFP7DTSLB	7" Axiom Perimeter Face Plate with Drywall Flange – 1-Slot Pattern	7" Slotted, 2-3/4" x 23"	120"		
PERIMETER POCKET ACCESSORIES					
Closure Clips Aluminum 10' (120") closure clip provides concealment of the perimeter pocket should a shade or blind be installed.	AXPCC2	2" Axiom Building Perimeter Closure Clip	N/A	120"	
	AXPCC3	3" Axiom Building Perimeter Closure Clip	N/A	120"	
End Caps Provides a capping at the end of a perimeter pocket.	AXCPCI	3-Sided Axiom Building Perimeter End Cap (Compatible with AXP355, AXP355C, AXP355S, AXP355E)	N/A	N/A	
	AXCPCIV	2-Sided Axiom Building Perimeter End Cap (Compatible with AXP255, AXP255C)	N/A	N/A	
	AXP35434EEC	3-Sided End Cap for Exposed Pocket (AXP35434E) – Custom colors available	N/A	N/A	
	AXP355MEC	3-Sided End Cap for Traditional Framing Pockets (AXP355MA, AXP355MD, AXP355ME, AXP355MS)	N/A	N/A	
	AXP355DEC	3-Sided End Cap for Drywall Flange Pocket (AXP355D)	N/A	N/A	
Seismic Accessories	BERCAXT	Axiom Beam End Retaining Clip for Seismic Applications	N/A	N/A	
	AXSA75	Axiom Adapter Clip with 0.75" Flange for seismic applications attaches to standard pocket, extension, and face plate flanges to meet seismic certifications.	N/A	N/A	



SHADE POCKETS AXIOM® Ceiling Perimeter System



LEED® WELL | LBC

50% RECYCLED CONTENT



Calculate sustainability with Green Genie
armstrongceilings.com/greengenie



LOCATION DEPENDENT

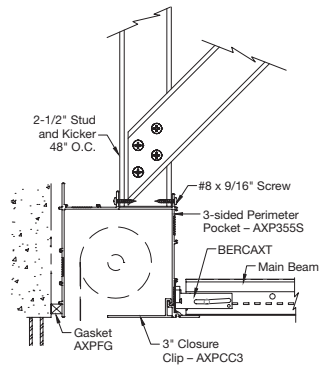
VISUAL SELECTION

PERIMETER POCKET ACCESSORIES (continued)

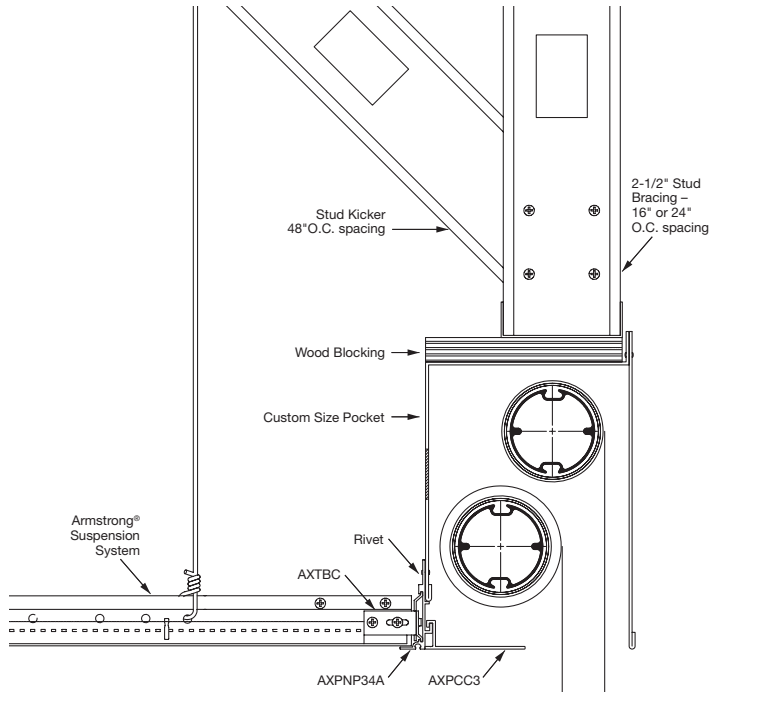
	Item No.	Description	Dimensions (Inches)	Length	
Installation Accessories	AXBTSTR	Axiom® Bottom Drywall Trim for 5/8" Drywall	120 × 1-1/8 × 27/32"	120"	
	AXPWC	Axiom Wall Clip with Hook for Face Plate	N/A	120"	
	AXPWCCP	Axiom Wall Clip with Hook for Closure Clip Attachment	N/A	120"	
	AX4SPLICE	Axiom Splice Plate – Provides positive lock between abutting pockets.	N/A	N/A	
	AXPFG	Foam Gasketing – Used between perimeter pocket piece and exterior window or exterior wall.	N/A	25' Roll	
	AXPSPLINE	Axiom Building Perimeter Interlocking Spline for connection between perimeter pocket and extension or face plate piece	N/A	120"	

Axiom customer service is available to help you create custom pockets, slot designs, perforations, and cutouts to meet your project needs: 800 840-8521

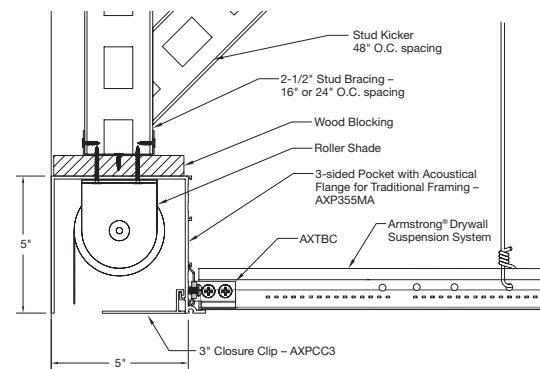
Perimeter Pocket with Seismic Flange



Custom Double Shade Pocket with No Pocket Detail



Perimeter Pocket with Acoustical Flange for Traditional Framing



PHYSICAL DATA

Material
Extruded aluminum

Surface Finish
Factory-applied baked polyester paint finish. The areas of the 3-sided perimeter pocket, that will be visible once the shade and closure clip are in place, have full paint coverage. The exposed pockets have complete paint coverage.

Cleaning & Disinfecting
Cleaning and CDC approved disinfecting options available on armstrongceilings.com/cleaning