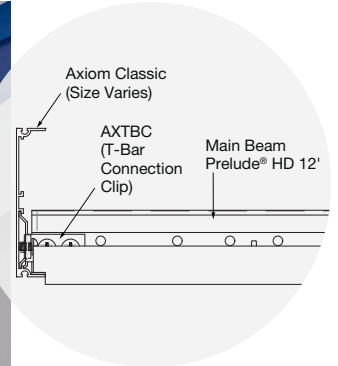


AXIOM® Classic

Curved Perimeter Trim



SUSTAIN™
High Performance
Sustainable
Ceiling Systems



Axiom Classic curved trim

Extruded perimeter trim solution for use in floating suspended ceiling applications.

KEY SELECTION ATTRIBUTES

- Adjustable trim clip (Item 7239) makes Axiom® Classic Trim compatible with WoodWorks® and MetalWorks™ panels that drop greater than 3/8" below the grid flange
- Crisp-edge detailing and excellent corrosion resistance compared to roll-formed steel systems
- Dynamic curving capabilities available
- Axiom trim is part of the Sustain™ portfolio and meets the most stringent industry sustainability compliance standards today
- CleanAssure™ family of products – includes disinfectable panels, suspension systems, and trim (Cleaning and CDC-approved disinfecting options available on armstrongceilings.com/cleaning)
- Nine profile heights
- Compatible with Armstrong® Suspension Systems and FrameAll™ Drywall Grid
- Colors coordinate with Armstrong ceiling and suspension systems
- 10-Year Limited warranty, 30-year System warranty

COLORS Due to printing limitations, shade may vary from actual product.

Standard

White (WH)	Ivory (IV)	Medium Taupe (MT)	Light Grey (LG)	Grey Stone (GS)	Stone (SE)	Black (BL)	Silver Satin (SA)	Silver Grey (SG)	Gun Metal Grey (MY)	Basalt (SBT)	Riverstone (SRV)	Blizzard White (ZW)	Charcoal Black (ZB)
Polar (SPO)	Limestone (SLM)	Fossil (SFL)	Sandstone (SSS)	Hay (SHY)	Oat (SOT)	Mist (SMT)	Pacific (SPC)	Rainstorm (SRS)	Lilac (SLC)	Twilight (STT)			
Coffee (SCE)	Ocean (SOC)	Boxwood (SBW)	Fern (SFN)	Ivy (SIV)	Feldspar (SFS)	Topaz (STZ)	Bronzite (SBZ)	Honeysuckle (SHS)	Marigold (SMG)	Rose (SRO)			

Available in any RAL® or Custom Color*

* Colors that are pre-qualified to meet Sustain portfolio requirements are available upon request. Other made-to-order colors must be evaluated if sustainability criteria is required. Lead time will increase.

NOTE: 360° paint finishes, wood-look finishes (ZZ), Architectural Film Finishes (YY), and custom colors available as special order.

AXIOM® Classic

Curved Perimeter Trim



LEED® WELL | LBC

50% RECYCLED CONTENT

energy management, construction waste mgmt, regional materials, design for flexibility, EPD, recyclable/ bio-based producer resp., materials, recycled content, sourcing of raw materials, material ingredient reporting, low emitting/ materials, lighting quality, acoustics

Calculate sustainability with Green Genie armstrongceilings.com/greengenie

LOCATION DEPENDENT

VISUAL SELECTION

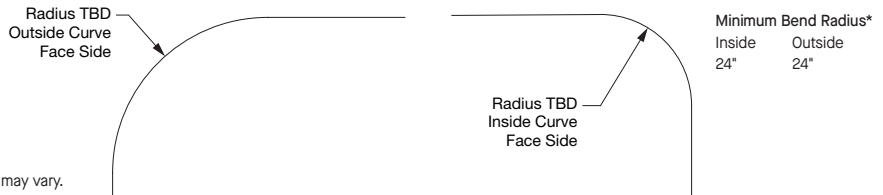
Item No. ♦	Description	Dimensions (Inches)	Length	Unit of Measure	INCLUDED ACCESSORIES			MINIMUM BEND RADIUS*		
					AXTBC	AXSPICE2	AX2HGC	Inside	Outside	
AXIOM® Classic	AX2CUR_ _ _ _	2" Curved Perimeter Trim	3/4" × 1-15/16"	Vary	LFT	5	1	-	18"	18"
Curved Perimeter Trim	AX3CUR_ _ _ _**	3" Curved Perimeter Trim	3/4" × 2-15/16"	Vary	LFT	5	1	-	24"	24"
	AX4CUR_ _ _ _	4" Curved Perimeter Trim	3/4" × 3-7/8"	Vary	LFT	5	2	-	18"	18"
	AX6CUR_ _ _ _	6" Curved Perimeter Trim	3/4" × 5-13/16"	Vary	LFT	5	2	-	18"	18"
	AX8CUR_ _ _ _	8" Curved Perimeter Trim	3/4" × 7-13/16"	Vary	LFT	5	2	-	18"	18"
	AX10CUR_ _ _ _	10" Curved Perimeter Trim	3/4" × 10"	Vary	LFT	7	3	2	18"	18"
	AX12CUR_ _ _ _	12" Curved Perimeter Trim	3/4" × 12"	Vary	LFT	7	4	2	18"	18"
	AX14CUR_ _ _ _	14" Curved Perimeter Trim	3/4" × 14"	Vary	LFT	7	4	2	18"	18"
	AX16CUR_ _ _ _	16" Curved Perimeter Trim	3/4" × 16"	Vary	LFT	7	5	2	18"	18"

* Refer to ProjectWorks® for inverted Vector minimum bend radii specifications, as these will vary.
 ** AX3CUR does not include architectural reveal on face, see CAD files for detail

DYNAMIC CURVING CAPABILITIES

Axiom® Dynamic Curving is a new manufacturing capability that enables straight and curved to be produced on a single, continuous piece of trim (single orientation only). This industry-first capability maximizes material usage with full-length pieces and minimizes joints and visible seams.

*Refer to ProjectWorks for minimum bend radii specifications, as these may vary.



ACCESSORIES

Item No.	Description	
AXAC†	Alignment Clip Sheet aluminum formed to fit into special trim channel bosses. Provides positive mechanical lock and screw-fastened connection to suspension members that intersect below the trim channel.	
AX2HGC	Hanging Clip Steel formed to fit into special trim channel bosses. Provides positive mechanical lock and screw-fastened connection to suspension members that intersect below the trim channel.	
AXTBC AXTBCSS††	T-Bar Connection Clip Galvanized sheet steel formed to fit into special trim channel bosses. Provides positive mechanical lock with factory-installed screw. Screw-fastened connection to suspension members that intersect the trim channel. AXTBCSS – Stainless Steel version available for non-ferrous applications	
7239†	Adjustable Trim Clip Allows Axiom® trim to be positioned up to 3-3/4" below the grid face to accommodate deeper panel offsets (best aesthetic with Axiom ≥ 6" tall).	
AXSPICESS††	Axiom Splice Plate Stainless Steel for non-ferrous project applications	
AXSPICE2	Axiom Splice Plate Galvanized sheet steel formed to fit into the trim channel bosses. Provides positive lock between abutting channels with factory-installed setscrews.	
AXSPTHDC†	Axiom Serpentina Hold-Down Clip Steel metal panel hold down clip used to secure the cut edges of metal ceilings at the Axiom/panel interface.	

† Items must be ordered separately
 †† These will be provided in lieu of the aluminum accessories based on the application as needed

PHYSICAL DATA

Material
Commercial quality 3003 aluminum alloy

Surface Finish
Factory-applied paint finishes

3SC - 360 Painted Standard Colors
(reference colors listed above)

3ZB/3ZW - 360 Painted Blizzard/Charcoal Finish

3RAL - 360 Painted RAL® Colors

3XX - 360 Painted Custom Colors, including metallic finishes

SC - Standard Colors
(reference colors listed above)

ZW/ZB – Blizzard/Charcoal Finish
 RAL – RAL Colors
 XX – Custom Colors, including metallic finishes
 ZZ – Wood Looks
 YY – Architectural Film Finish

Cleaning & Disinfecting
Cleaning and CDC-approved disinfecting options available on armstrongceilings.com/cleaning

Design Considerations
Physical product samples for standard and custom colors are available upon request. Please refer to the physical product sample prior to making a final selection. While we strive to ensure exact color matches, various factors such as differences in materials, texture, substrate porosity,

painting processes, lighting, and observer subjectivity can all affect how paint colors appear on ceiling and wall panels, suspension systems, and trim products. Due to these and other differences, ceiling and wall panels, trim products, and suspension systems with the same color name will coordinate but may not be an exact color match. Product is dye-lotted. Order sufficient initial quantities and attic stock to minimize possible color variation.

Custom requests (cut to length, mitered, curved) require a ProjectWorks® drawing package to be completed prior to material production.

Warranty
10-Year Limited Warranty; 30-Year System Warranty

Profile
Nine standard height profiles available with 3/4" horizontal flange(s)

