

# AXIOM® Light Covers – Direct

Trim



**SUSTAIN™**  
High Performance  
Sustainable  
Ceiling Systems



Axiom – Direct Light Cove

Axiom® extruded aluminum light covers offer ultra low plenum clearance, predictable lighting performance, and perfect integration with all Armstrong® suspension systems.

## KEY SELECTION ATTRIBUTES

- Pre-engineered, extruded aluminum light cove profiles with integrated XAL LENO light fixture or Axis Click
- CleanAssure™ family of products – includes disinfectable panels, suspension systems, and trim
- Axiom Direct Light Covers is part of the Sustain™ portfolio and meets the most stringent industry sustainability compliance standards today
- Low profile design with plug and play lighting for easy installation in shallow plenum corridors and entry areas
- 10-Year Limited Warranty, 30-Year System Warranty

## TYPICAL APPLICATIONS

- Offices
- Retail
- Hospitality
- Healthcare

## COLORS

Due to printing limitations, shade may vary from actual product.



White (WH)

Custom Colors Available\*

\* Colors that are pre-qualified to meet Sustain™ portfolio requirements are available upon request. Other made-to-order colors must be evaluated if sustainability criteria is required. Lead time will increase.

## LIGHTING FIXTURES

Compatible with:

Axis Lighting and XAL® Leno® Luminaire



## VISUAL SELECTION

	Item No.	Description	Dimensions		
Axiom Direct Light Covers for Acoustical Ceilings	AXDLC44	Direct Light Cove 4" x 4"	120 x 4-1/2 x 4"		
	AXDLC46	Direct Light Cove 4" x 6"	120 x 4-1/2 x 6"		
Axiom Direct Light Covers for Drywall Ceilings	AXDLC44D	Axiom Direct Light Cove for Drywall 4" x 4"	120 x 4-1/2 x 4"		
	AXDLC46D	Axiom Direct Light Cove for Drywall 4" x 6"	120 x 4-1/2 x 6"		
Axiom Direct Light Covers for AcoustiBuilt	AXDLC44ACB	Axiom Direct Light Cove for AcoustiBuilt 4" x 4"	120 x 4-1/2 x 4"		
	AXDLC46ACB	Axiom Direct Light Cove for AcoustiBuilt 4" x 6"	120 x 4-1/2 x 6"		

Direct Light Covers: Aluminum extrusions formed with distinct architectural detail groove on bottom flange with special bosses to receive the T-Bar Connection Clip, Hanging Clip, and Splice Plate, provides positive mechanical lock with no visible fasteners. Factory-finished to match approved samples.

# AXIOM® Light Covers – Direct Trim



LEED® WELL | LBC





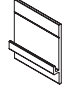
50% RECYCLED CONTENT

- energy management
- construction waste mgmt
- regional materials
- design for flexibility
- ALUMI-NUM
- EPD
- recyclable/repairable producer resp.
- biobased materials
- recycled content
- sourcing of low materials
- material ingredient reporting
- low emitting materials
- lighting quality
- acoustics

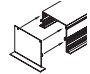

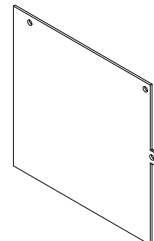
Calculate sustainability with Green Genie  
armstrongceilings.com/greengenie

LOCATION DEPENDENT

## ACCESSORIES

Item No.	Description	
AXBTSTR	Axiom® Bottom Drywall Trim – Straight for 5/8" Drywall	
AX2HGC	Hanging Clip – Hanging Clip: Sheet steel formed to fit into special trim channel bosses and provide positive mechanical lock, screw-fastened connection to suspension members which intersect below the trim channel.	
AXTBC	T-Bar Connection Clip – T-Bar Connection Clip: Galvanized sheet steel formed to fit into special trim channel bosses and provide positive mechanical lock with factory-installed screw, screw-fastened connection to suspension members which intersect the trim channel.	
AXSPICE2	Axiom Splice Plate – Galvanized sheet steel formed to fit into the trim channel bosses. Provides positive lock between abutting channels with factory-installed setscrews.	 AXSPICE2
AXPWCCP2	Axiom Wall Clip – 2 x 2 x 1-1/2"	

## END CAPS

Item No.	Description	
AXDLC46ECR	4" x 6" – Light Cove End Cap - Right	
AXDLC46ECL	4" x 6" – Light Cove End Cap - Left	
AXDLC44ECR	4" x 4" – Light Cove End Cap - Right	
AXDLC44ECL	4" x 4" – Light Cove End Cap - Left	
AX-SPT-HDC	Trim/Light Fixture Hold-down Clip	
AXDLC44DEC	AXIOM 4" X 4" Direct Light Cove for 5/8" Drywall End Cap	
AXDLC46DEC	AXIOM 4" X 6" Direct Light Cove for 5/8" Drywall End Cap	
AXDLC44ACBEC	AXIOM 4" X 4" Direct Light Cove for AcoustiBuilt® End Cap	
AXDLC46ACBEC	AXIOM 4" X 6" Direct Light Cove for AcoustiBuilt End Cap	



TRIM & TRANSITIONS – Standard

# AXIOM® Light Covers – Direct Trim



**LEED WELL LBC**

**50% RECYCLED CONTENT**

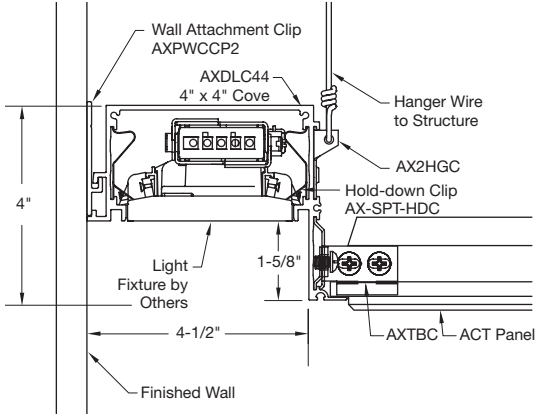
energy management  
construction waste mgmt  
regional materials  
design for flexibility  
EPD  
recyclable/extended producer resp.  
biobased materials  
recycled content  
sourcing of raw materials  
material ingredient reporting  
low emitting materials  
lighting quality  
acoustics

ALUM- NUM

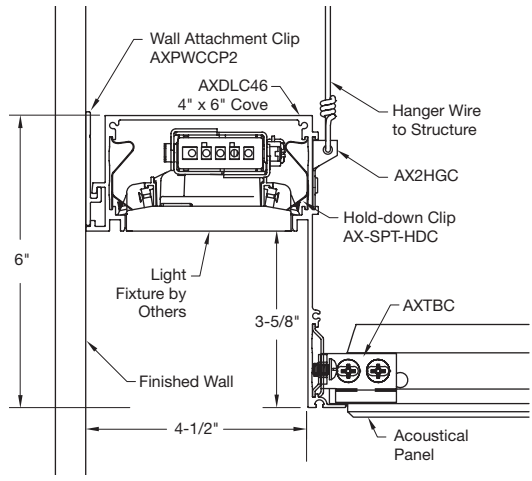
LOCATION DEPENDENT

Calculate sustainability with Green Genie® [armstrongceilings.com/greengenie](http://armstrongceilings.com/greengenie)

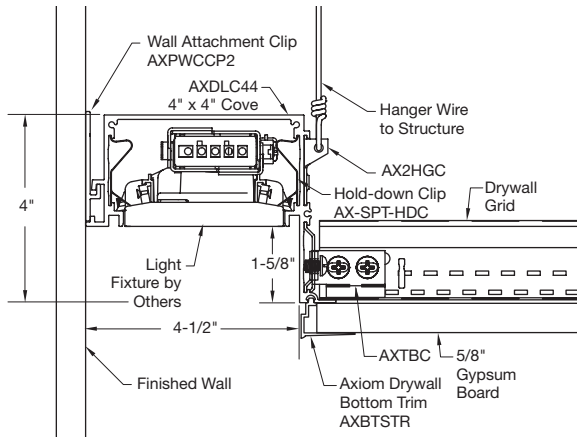
## COMPATIBLE CEILINGS



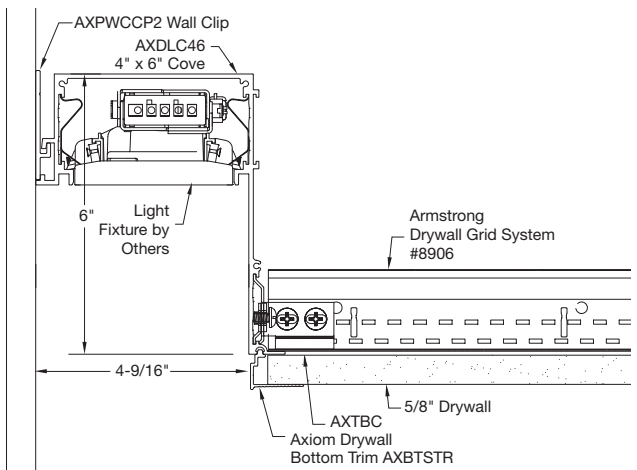
4" x 4" Direct Light Cove – AXDLC44



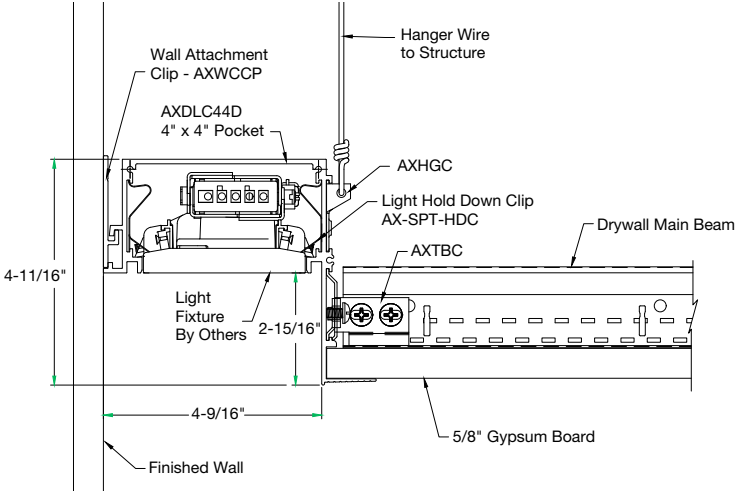
4" x 6" Direct Light Cove – AXDLC46



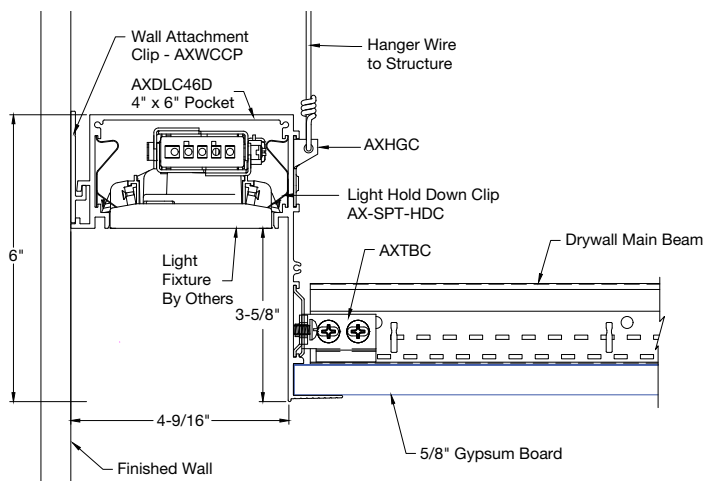
4" x 4" Direct Light Cove – AXDLC44 with AXBTSTR



4" x 6" Direct Light Cove – AXDLC46 with AXBTSTR



4" x 4" Direct Light Cove for Drywall – AXDLC44D



4" x 6" Direct Light Cove for Drywall – AXDLC46D

TRIM & TRANSITIONS – Standard

# AXIOM® Light Covers – Direct Trim



**LEED® WELL™ LBC**

**50% RECYCLED CONTENT**

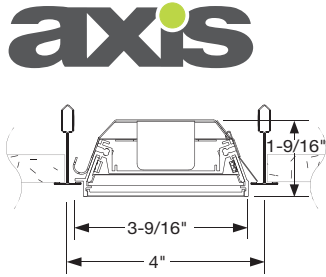
Calculate sustainability with Green Genie [armstrongceilings.com/greengenie](http://armstrongceilings.com/greengenie)

energy management	✓
construction waste mgmt	✓
regional materials	✓
design for flexibility	✓
ALUMI-NUM	✓
EPD	✓
recyclable/repurposed producer resp.	✓
biobased materials	✓
recycled content	✓
sourcing of low materials	✓
material ingredient reporting	✓
low emitting materials	✓
lighting quality	✓
acoustics	✓

LOCATION DEPENDENT

## COMPATIBLE LIGHT FIXTURES

Lighting and diffuser solutions are available through partner companies

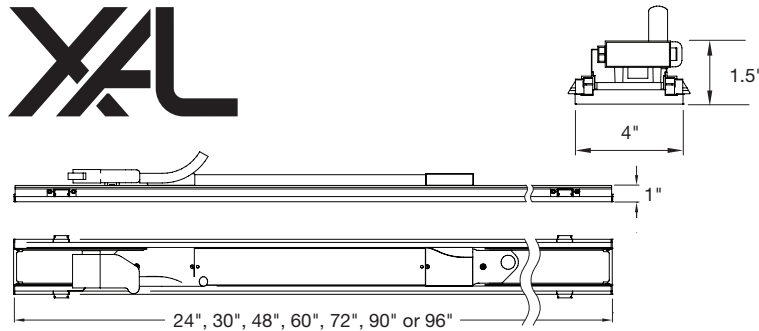


**Connect-Insert-Click** – shallow linear system that installs from below:

- 1-3/4" shallow housing – same height as T-Bar
- Install and maintain from below with no need for access from above
- Can be installed after ceiling has been closed
- Ultra-thin lightguide technology delivering comfortable, uniform illumination along entire lens
- Seismic-tested and approved luminaire
- Hinged driver cover with full driver and wiring access

For compatible lighting details, visit [axislighting.com](http://axislighting.com)

Lighting and diffuser solutions are available through partner companies



The new ultra thin XAL® LENO® Zero Plenum luminaire installs from below and features:

- High output, energy efficient LED lighting for any space
- High performance opal cover for uniform illumination and enhanced glare control
- Extruded aluminum fixture design
- White powder coated finish
- Integrated plug and play electrical connections
- Choice of light outputs to achieve any desired light level
- Dimming options available

For compatible lighting details, visit [XALUSA.com](http://XALUSA.com)

## PHYSICAL DATA

**Material**  
Commercial quality extruded aluminum alloy 6063

**Surface Finish**  
Factory-applied baked polyester paint finish

**Warranty**  
10-Year Limited Warranty; 30-Year System Warranty

**Profile**  
4" x 4" and 4" x 6" Light Cove with 3/4" horizontal flange

**Cross Tee/Main Beam Interface**  
Flush Fit

**End Detail**  
Splice with screws

**Cleaning & Disinfecting**  
Cleaning and CDC-approved disinfecting options available on [armstrongceilings.com/cleaning](http://armstrongceilings.com/cleaning)

**ICC Reports**  
For areas under ICC jurisdiction, see evaluation report numbers ESR-1289 and ESR-1308 for allowable values and/or conditions of use concerning the suspension system components listed on this page. The reports are subject to reexamination, revisions, and possible cancellation.

