

WOODWORKS™ ACGI Beam System

Series 1, 2, 3, and 4



The Beam System provides a cost-effective and efficient installation method to provide all types of wood beams for ceiling and wall applications. Beams are available in four different series, each differing in function and overall appearance.

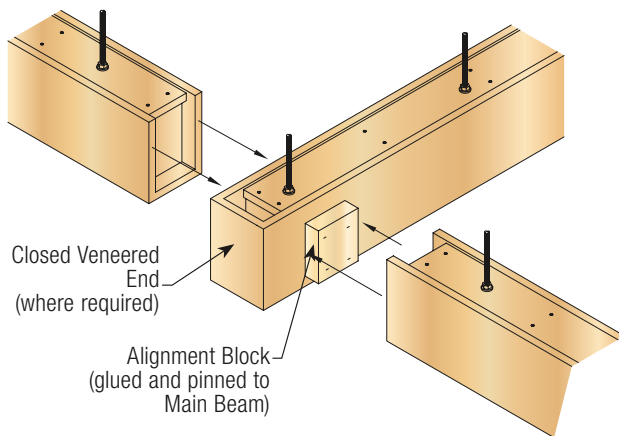
Beam Series 1 (BM1) can be square, rectangular, round or half-round. BM1 includes half beams for wall applications, and simple moldings can be attached almost anywhere. This series is easiest to install and field modify.

Beam Series 2 (BM2) is designed in association with elaborate decorative moldings.

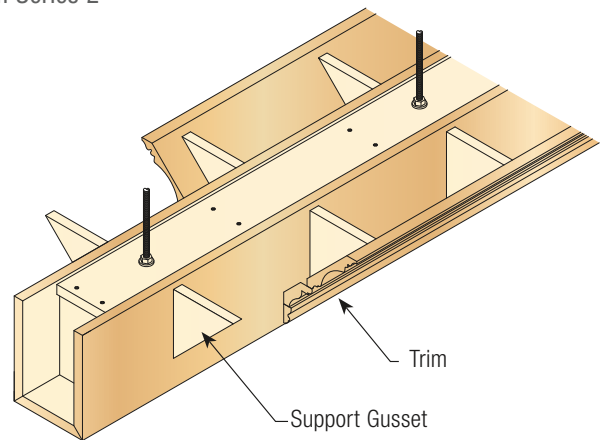
Beam Series 3 (BM3) is a horizontal radius beam. The internal design allows for exact dimensions and smooth surfaces. Different radii are available upon request.

Beam Series 4 (BM4) is a vertical radius beam. Different radii are available. Beams are available with finished faces on all sides if required.

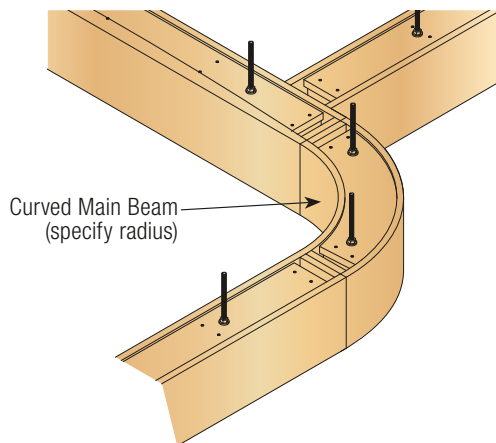
Beam Series 1



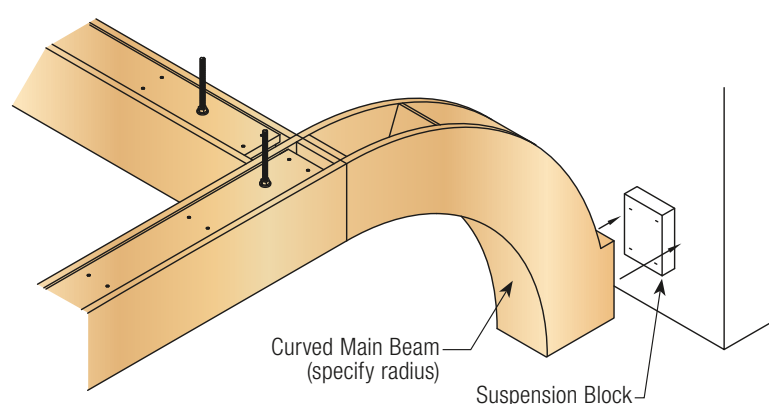
Beam Series 2



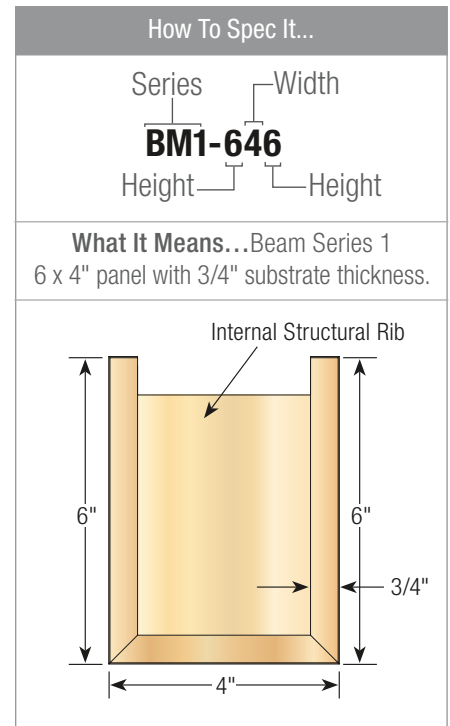
Beam Series 3



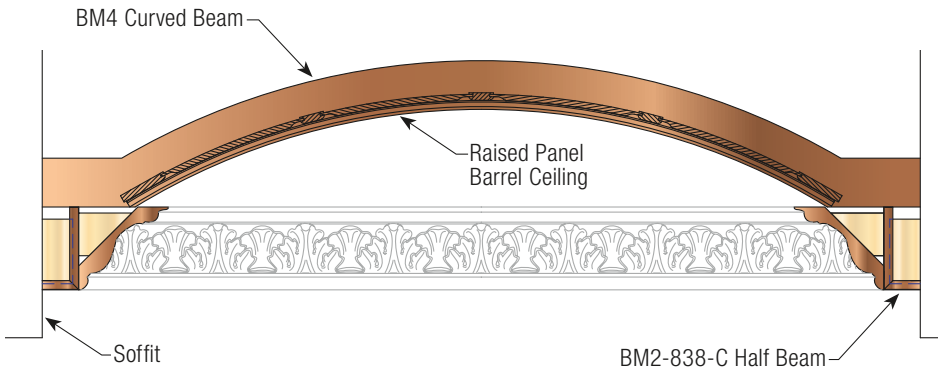
Beam Series 4



Beam Series 1, 2, 3 & 4 – Specification Information					
Product No.	Style	Height	Width	Length	Radius
BM1-####	Flat Sides	Varies	Varies	Up to 10'	N/A
BM2-####	Molded Sides	Varies	Varies	Up to 10'	N/A
BM3-####	Horizontal Curve	Varies	Varies	Up to 10'	6" min.
BM4-####	Vertical Curve	Varies	Varies	Up to 10'	6" min.



Application Example: BM2 & BM4



LEED® CREDIT

Depending upon product it may contribute to LEED credits. Contact us for more information.

SPECIES + STAINS

Beams are available in a variety of Veneer species and custom stains. Please see Wood Species + Stain Catalog. Contact us for more information.

BORDER TRIM

The Beam System can be manufactured with various matching, decorative moldings. Please contact your Sales Representative to review available options.

FIRE RATING

Solid Wood – Class C: ASTM E84 surface burning characteristics. Class B available with fire rated treatment. Veneer Wood (Non-Perforated) – Class A: ASTM E84 surface burning characteristics.

DELIVERY, STORAGE & HANDLING (FOR INTERIOR APPLICATION ONLY)

Material must be stored and installed only in secured ambient environment (humidity range 25%–55%, temperature not to exceed 86°F). All windows, doors, and wet-work must be complete before installation. Handle carefully to avoid damaging.

WARRANTY

Details at armstrongceilings.com/warranty