

# CASTWORKS™

Glass Fiber Reinforced Gypsum (GRG/GFRG)  
architectural forms



CastWorks GRG custom ceiling and wall panels with integrated light covers



plus capabilities  
to do more  
[armstrongceilings.com/capabilities](http://armstrongceilings.com/capabilities)  
See more photos at:  
[armstrongceilings.com/photogallery](http://armstrongceilings.com/photogallery)

CastWorks™ GRG (glass fiber reinforced gypsum) is an ideal interior application for compound curves and unique dimensional designs.

## KEY SELECTION ATTRIBUTES

- Cast into any shape or compound curve
- Replicate the look of natural materials at a lower cost
- Weighs only 2-3 lbs. per square foot
- Easy to install
- Low maintenance
- Density can be increased to accommodate acoustic needs
- Perforations available — install with acoustical panels for sound absorption
- Sets fast; can reduce construction schedules
- Durable
- Interior use
- Requires field taping and finishing

## TYPICAL APPLICATIONS

- Ceiling and Wall Panels
- Column Covers
- Domes
- Light Covers
- Access Panels
- Coffers
- Moldings
- Historical Restoration

## COLORS



Paint Grade  
(Unfinished for  
field painting)



Custom Colors  
Available

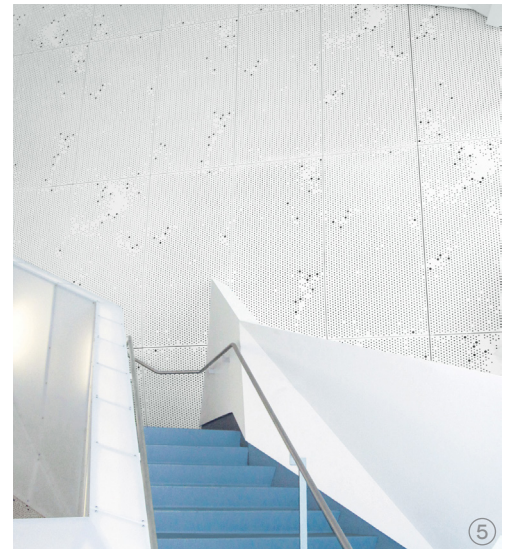
# CASTWORKS™

Glass Fiber Reinforced Gypsum (GRG/GFRG)  
architectural forms

LEED®  
WELL | LBC

energy management	✓
construction waste mgmt	✓
regional materials	✓
design for flexibility	
EPD	
recyclable/curable by producer resp.	
biobased materials	
recycled content	
sourcing of raw materials	
material ingredient reporting	
low emitting materials	✓
lighting quality	
acoustics	

LOCATION DEPENDENT



1. CastWorks™ Metaphors® ceiling panels
2. CastWorks™ column covers
3. CastWorks access panels
4. CastWorks ceilings
5. CastWorks perforated walls
6. CastWorks wall panels
7. CastWorks domes & trim
8. CastWorks ceiling panels

# CASTWORKS™

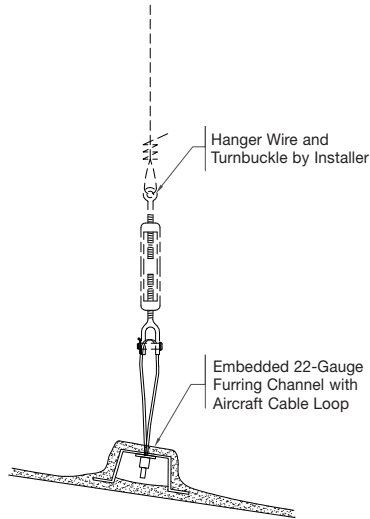
Glass Fiber Reinforced Gypsum (GRG/GFRG)  
architectural forms

LEED® WELL™ LBC

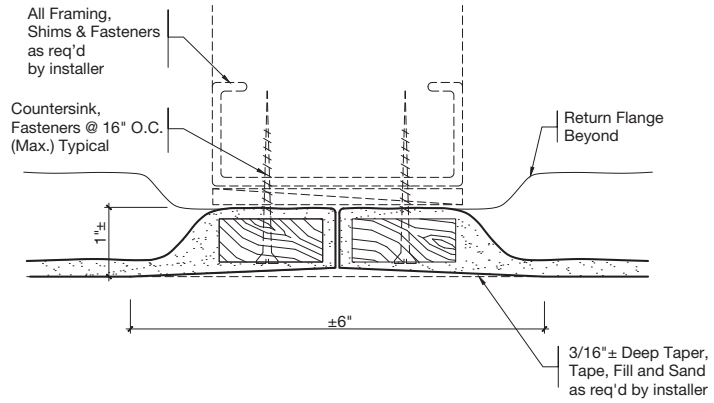
energy management	✓
construction waste mgmt	✓
regional materials	✓
design for flexibility	
EPD	
recyclable/extended producer resp.	
biobased materials	
recycled content	
sourcing of raw materials	
material ingredient reporting	
low emitting materials	✓
lighting quality	
acoustics	

LOCATION DEPENDENT

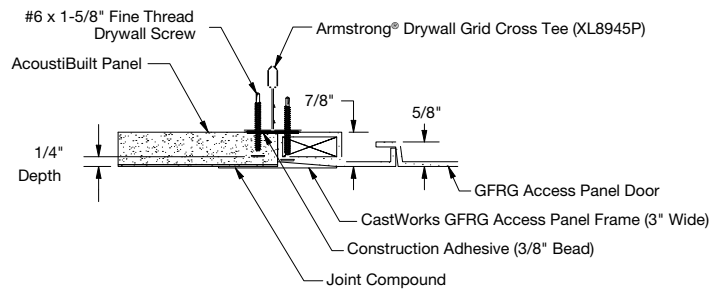
## DETAIL DRAWINGS



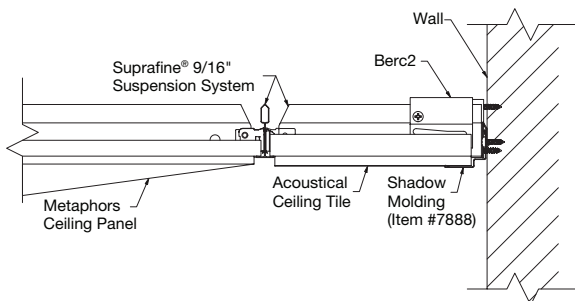
GRG Hanger Detail



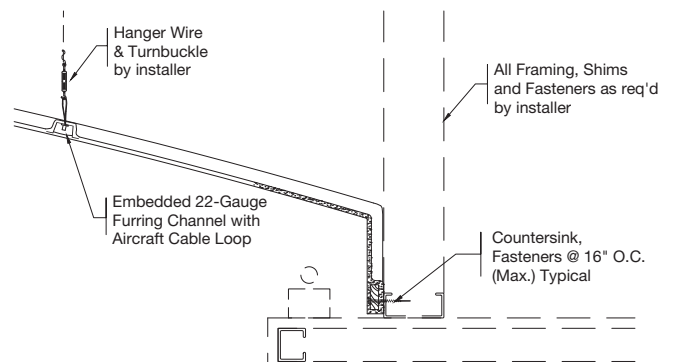
GRG Tape Joint Detail



AcoustiBuilt® Ceiling Panel with CastWorks™ Access Panel



CastWorks Metaphors® Ceiling Panel with Acoustical Panel Border



GRG Dome Edge Detail

CASTWORKS™

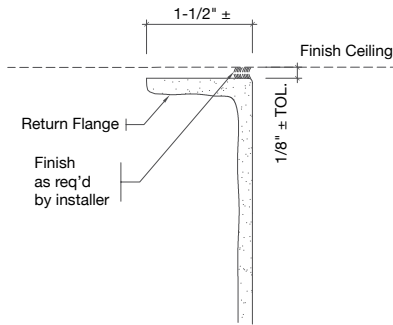
# CASTWORKS™

Glass Fiber Reinforced Gypsum (GRG/GFRG)  
architectural forms

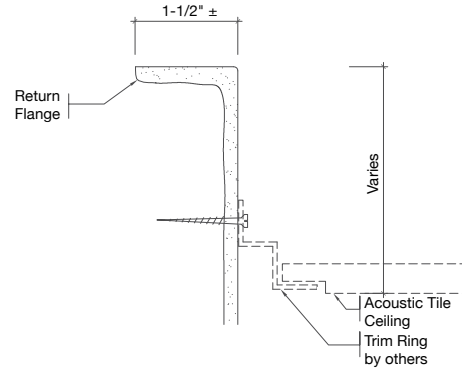
LEED® WELL™   LBC	energy management	✓
	construction waste mgmt	✓
	regional materials	✓
	design for flexibility	✓
	EPD	
	recyclable/producer resp.	
	biobased materials	
	recycled content	
	sourcing of raw materials	
	material ingredient reporting	
low emitting materials	✓	
lighting quality		
acoustics		

LOCATION DEPENDENT

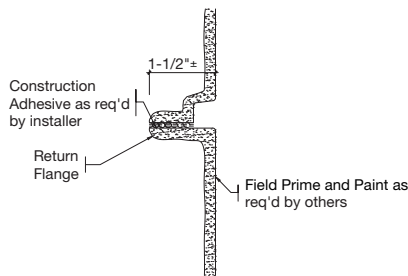
## DETAIL DRAWINGS (continued)



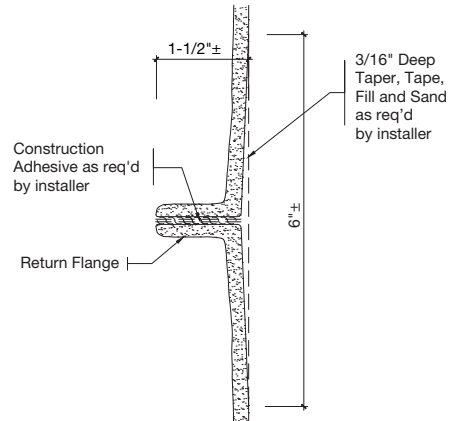
GRG Column Section at Drywall Ceiling



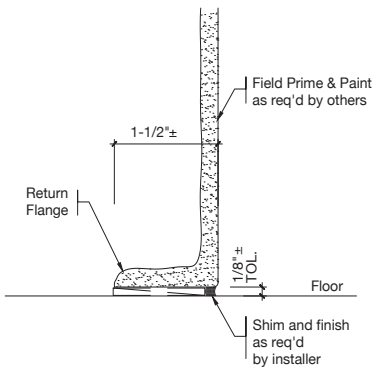
GRG Column Section at Acoustic Tile Ceiling



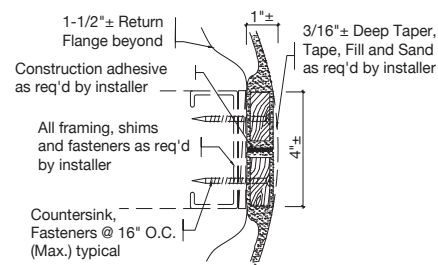
GRG Column Reveal at Stacking Joint



GRG Column Stacking Joint



GRG Column Section at Floor



GRG Column Tape Joint Detail

## PHYSICAL DATA

### Material

Glass Fiber Reinforced Gypsum (GRG/GFRG) is a composite consisting of gypsum cement and water, reinforced with glass fibers.

### Surface Finish

Standard unfinished, paint grade. Can be coated to achieve any desired color and texture.

### Fire Performance

Class A Fire Performance per ASTM E84.

### Installation Considerations

Install CastWorks™ GRG parts as indicated on approved shop drawings, other recommendations, and the contract requirements. Comply with ASTM Standard C1467 for the installation of GRG.

Use caution and wear appropriate hand, eye, and dust mask protection when handling CastWorks GRG. Refer to installation instructions for complete details.

### Application Considerations

In addition to decorative purposes, CastWorks GRG can be used for lighting and acoustic purposes. Its standard thickness is 3/16", but can be customized to 1/2" or 3/4" to achieve a desired reverberation.

### Design Support

For custom design assistance contact ProjectWorks® Design Services or visit [armstrongceilings.com/projectworks](http://armstrongceilings.com/projectworks)

### Warranty

One (1) Year Limited Warranty. Details at [armstrongceilings.com/warranty](http://armstrongceilings.com/warranty)

### Weight

2-3 LBS/SF (may vary depending on part design)