

QUIKSTIX™
Drywall Grid
Locking Pocket Main Beams

*A FrameAll™
Drywall Grid Solution*



QuikStix™ Drywall Ceiling System

Drywall suspension systems specifically engineered for faster, easier drywall installation...even for drywall spans of up to 8'6".

KEY SELECTION ATTRIBUTES

- QuikStix™ Locking Pocket Main Beams are part of the Sustain™ portfolio and meets the most stringent industry sustainability compliance standards today

ShortSpan® Tees

- Some components available in High Recycled Content (HRC); Total Recycled Content 61%, Post-consumer 53%, Pre-consumer 8%
- Non-HRC items have 30% recycled content
- 1-1/2" wide face exceeds the minimum industry standard
- **ScrewStop™** reverse hem prevents screw spin off
- Balanced profile stays flat during installation
- Rotary stitching on double web adds strength and stability
- Deep knurled surface for easy screw insertion
- G40, .018" metal thickness meets ASTM C645

StrongBack™

- Easy, pre-engineered solution to support spans over 6' or 8'-6" feet

Locking Angle Molding

- Pre-engineered locking tabs punched 8" on center:
 - Eliminate measuring 16" or 24"
 - Prevent lateral and upward movement
 - Eliminate screws, pop rivets, or crimpers needed to attach tees to molding
- Knurled surface on both flanges
- **ScrewStop** reverse hem prevents screw spin-off and provides safer handling
- 10-year limited warranty

VISUAL SELECTION

	Item No.	Description	Dimensions
QuikStix™ Locking Pocket Main Beams 1-1/2" Face Profile <i>(Red Numbers are Fire Guard™ Items)</i>	QSLPM12 QSLPM12G90	12' Locking Pocket Main (Locking Tabs 8" O.C.)	144 × 1-1/2 × 1-13/16"
ShortSpan® Cross Tees 1-1/2" Face Profile	S7708P S7708PG90	8' ShortSpan Tee	96 × 1-1/2 × 1-13/16"
	S7710 S7710G90	10' ShortSpan Tee	120 × 1-1/2 × 1-13/16"
	S7712P S7712PHRC S7712PG90	12' ShortSpan Tee	144 × 1-1/2 × 1-13/16"
	S7714P S7714PHRC S7714PG90	14' ShortSpan Tee	168 × 1-1/2 × 1-13/16"
Locking Angle Mold 1-1/4" Face Profile	LAM12	12' Locking Angle Mold (Locking tabs 8" O.C.)	144 × 1-1/4 × 1-1/4"
Accessories	QSUTC	QuikStix Uptight Clip (Pre-drilled Screw Holes)	1-3/4 × 4-1/2"

* Simple Span L/240
NOTE: All components are available with G90 hot dipped galvanized coating. Just add G90 suffix to end of item number.

MAXIMUM LOAD (LBS./LIN. FT.)

HANGER SPACING* LBS./LIN. FT.		
3 Ft.	4 Ft.	
47.3	22.37	
5 Ft.	6 Ft.	8 Ft.
14.18	10.49	4.43
14.18	10.49	4.43
14.18	10.49	4.43
14.18	10.49	4.43
N/A	N/A	N/A
N/A	N/A	N/A

PACKAGING

Lin. Ft./ Ctn.	Pcs./ Ctn.
144	12
96	12
120	12
144	12
168	12
240	20
N/A	150

QUIKSTIX™
 Drywall Grid
 Locking Pocket Main Beams



LEED WELL | LBC
 UP TO 61% RECYCLED CONTENT

- energy management
- construction waste mgmt
- regional materials
- design for flexibility
- EPD
- recyclable/repairable producer resp.

Calculate sustainability with Green Genie™
armstrongceilings.com/greengenie

- biobased materials
- recycled content
- sourcing of raw materials
- material ingredient reporting
- low emitting materials
- lighting quality
- acoustics

LOCATION DEPENDENT

LOAD TEST DATA

Item No.	Web Height	HANGER SPACING UNIFORM LOAD AT L/240 (LBS/LF)								
		3 Ft.	4 Ft.	5 Ft.	6 Ft.	7 Ft.	7.5 Ft.	8 Ft.	8.5 Ft.	
ShortSpan Cross Tees S77**P	1-13/16"	N/A	31.76	14.18	10.49	5.84	5.54	4.43	3.37	
QuikStix Locking Pocket Main QSLPM12	1-1/2"	40.60	20.87	N/A	N/A	N/A	N/A	N/A	N/A	
StrongBack Support Hanger SB12P	2"	27.53	17.76	N/A	N/A	N/A	N/A	N/A	N/A	

MAXIMUM ALLOWABLE LOAD, LBS./SF @ L/240 DEFLECTION (10'-14' spans require a mid-span support)

Item No.	O.C. Spacing	HANGER SPACING UNIFORM LOAD AT L/240 (LBS/LF)										
		4 Ft.	5 Ft.	6 Ft.	7 Ft.	7.5 Ft.	8 Ft.	8.5 Ft.	9 Ft.	10 Ft.	12 Ft.	14 Ft.
S77**P	8"	-	21.27	15.74	8.76	8.31	6.65	5.06	4.46	21.27	15.74	8.76
QSLPM12	16"	23.82	10.64	7.87	4.38	4.16	3.32	2.53	2.23	10.64	7.87	4.38
SB12P	24"	15.88	7.09	5.25	2.92	2.77	2.22	1.69	-	7.09	5.25	2.92

NOTE: 5/8" drywall weighs 2.4 lbs./SF (tees installed 8" or 16" or 24" O.C.)
 1/2" drywall weighs 2.0 lbs./SF (tees installed 16" O.C., maximum)

QUIKSTIX™

Drywall Grid

Locking Pocket Main Beams



Declare.

UP TO **61% RECYCLED CONTENT**

LEED WELL LBC

energy management	construction waste mgmt	regional materials	design for flexibility	EPD	recyclable/extended producer resp.	biobased materials	recycled content	sourcing of raw materials	material ingredient reporting	low emitting materials	lighting quality	acoustics
-------------------	-------------------------	--------------------	------------------------	-----	------------------------------------	--------------------	------------------	---------------------------	-------------------------------	------------------------	------------------	-----------

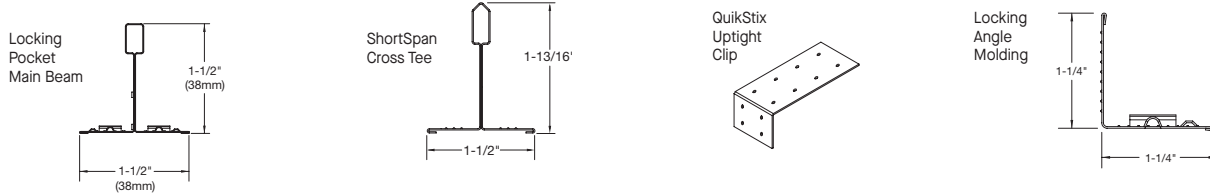
Calculate sustainability with Green Genie™ armstrongceilings.com/greengenie

LOCATION DEPENDENT

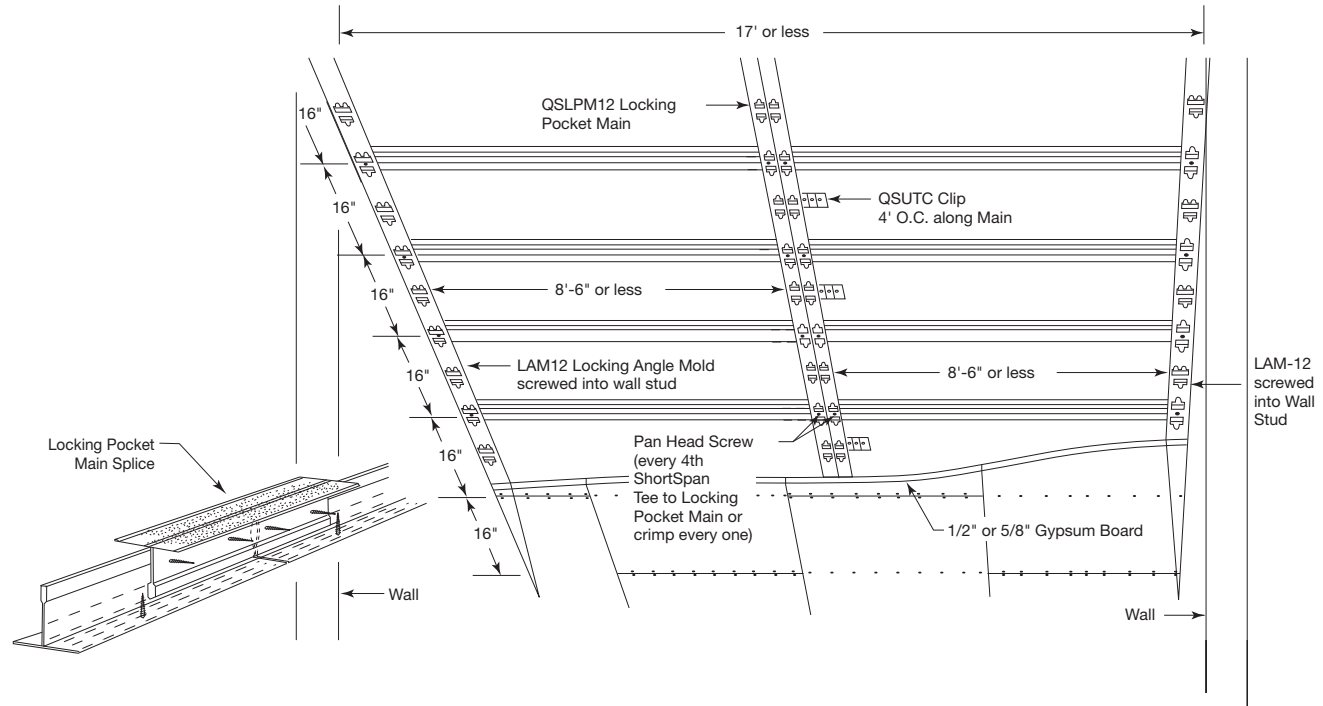
INSTALLATION DETAILS

- Vertical Supports to structure should be either QuikStix Uptight Clips or stiff legs using scrap metal. Wire is NOT recommended for hanging this system.
- ShortSpan tees must be cut within 1/8" of vertical leg of the Locking Angle Moldings and Locking Pocket Mains.
- To engage ShortSpan tees into Locking Pockets: insert right hand flange of tee into long pocket first and allow left flange to clear short pocket and rest flat. Slide tee to the left to engage in short pocket (audible click).

DETAILS



INSTALLATION NOTES



FRAMEALL™ DRYWALL GRID – Standard

QUIKSTIX™

Drywall Grid

Locking Pocket Main Beams



Declare.

LEED® WELL™ LBC

UP TO **61% RECYCLED CONTENT**

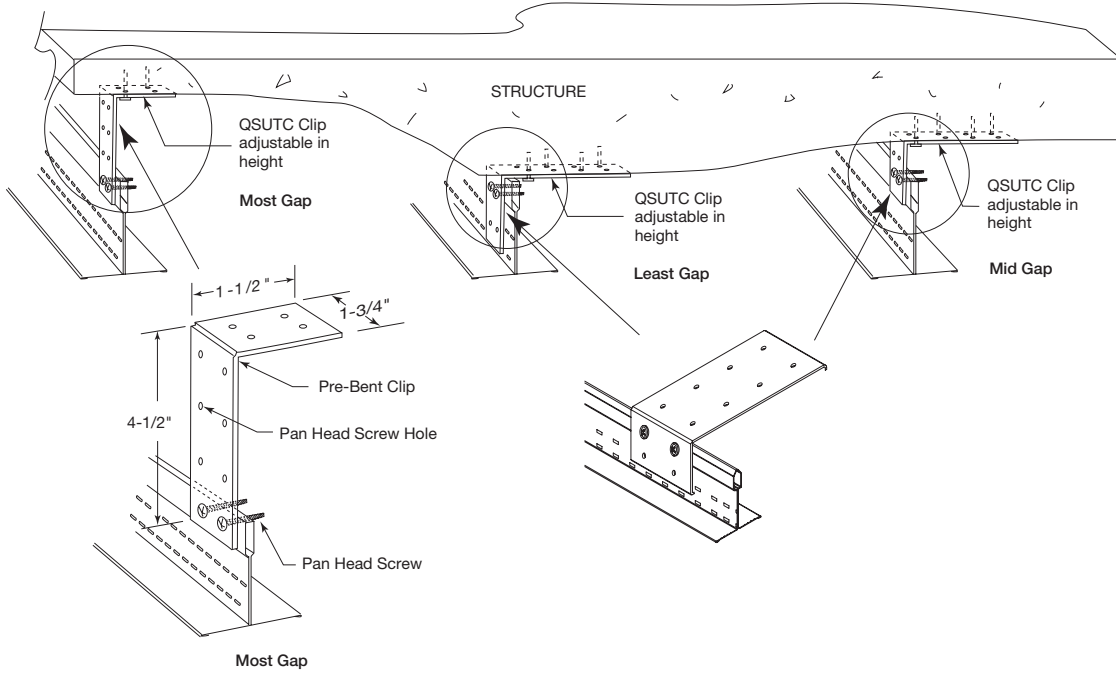
- energy management
- construction waste mgmt
- regional materials
- design for flexibility
- EPD
- recyclable/repairable/producer resp.
- biobased materials
- recycled content
- sourcing of raw materials
- material ingredient reporting
- low emitting materials
- lighting quality
- acoustics

Calculate sustainability with Green Genie™
armstrongceilings.com/greengenie

LOCATION DEPENDENT

INSTALLATION NOTES (continued)

(Uptight Clip (QSUTC): Saves time in tight plenum areas and is adjustable to uneven surfaces)



(Locking Pocket Mains Help With Corridor Transitions)

