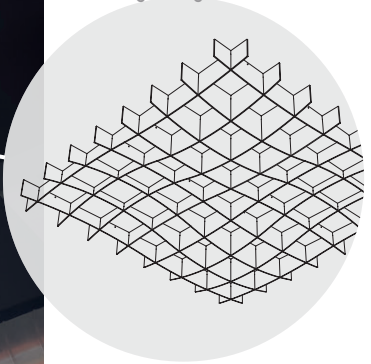


CAD/Revit® drawings at:
armstrongceilings.com/cadrevit



plus capabilities
to do more



FeltWorks® Open Cell Ebbs & Flow panels in Tangerine and Smoke

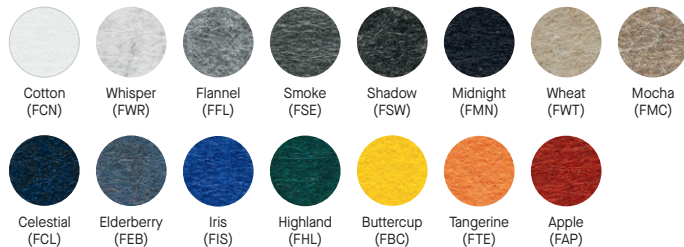
armstrongceilings.com/capabilities
See more photos at:
armstrongceilings.com/photogallery

FeltWorks® Open Cell panel kits add acoustics and custom looks to any interior space using Bottom, Mid, and Top 1/4" thick panels that fit together.

KEY SELECTION ATTRIBUTES

- Kits available in 3 designs: Ebbs & Flows, Peaks & Valleys, and Rectangular panels (6" or 12" depths)
- Kits can be installed as individual square or rectangular clouds, or interlinked to create a wall-to-wall installation
- FeltWorks® Open Cell panels are part of the Sustain® portfolio and meet the most stringent industry sustainability standards today
- CleanAssure™ family of products – includes disinfectable panels, suspension systems, and trim
- Product is water repellent and able to be disinfected with spray and wiped dry.
- Made from up to 60% post-consumer recycled PET fibers
- Get custom looks from standard products using easy-to-specify-and-order kits with short lead times
- No need to field-finish cut edges with color throughout panels
- Installation on the Hanging Kit (Item 6655) allows for panel removal to create a 24" x 36" opening for access into the plenum
- Sound absorption – 0.52 Sabins/SF

COLORS Due to printing limitations, shade may vary from actual product.



Explore the
FeltWorks® Open Cell
Design Guide

new FELTWORKS® Open Cell
Ebbs & Flows Panel Kits

SUSTAIN
High Performance
Sustainable Ceiling Systems
(white only)

Declare.

GREENGUARD
Gold Certified
(details below)

LEED®
WELL™ | LBC

50% RECYCLED
CONTENT

For LEED contribution contact TechLine

energy management	construction waste mgmt	regional materials	design for flexibility	EPD	recyclable/producer resp.	biobased materials	recycled content	sourcing of raw materials	material ingredient reporting	low emitting materials	lighting quality	acoustics
✓	✓	✓	✓		✓		✓	✓	✓	✓	✓	✓
LOCATION DEPENDENT											COTTON ONLY	



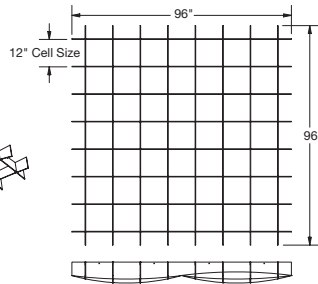
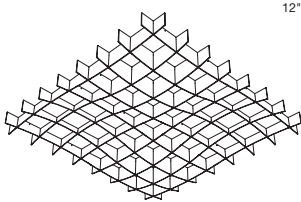
FeltWorks® Open Cell Ebbs & Flows panels in Tangerine

ACOUSTICAL INFORMATION

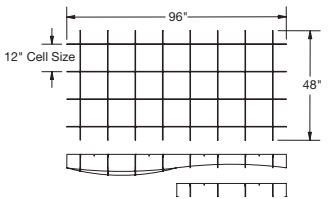
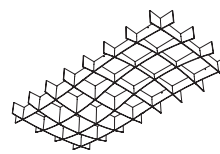
Panel Thickness	1/4"	Sound Absorption (Sabins/SF)	Up to 0.52
-----------------	------	------------------------------	------------

STANDARD KITTED MODULE OPTIONS

S8 Ebbs & Flows Open Cell Kit



R4 or R8 Ebbs & Flows Open Cell Kit



VISUAL SELECTION

	Item No. ◆	Description	Kit Nominal Dimensions (W x L x D)	Top & Bottom Panel Length	Mid Panel Length	Panel per Kit	SF of Installed Space
	6532KOE09S4	S4 Ebbs & Flows Open Cell Kit (Kit includes two 48" x 48" assemblies)	48 x 48 x 9"	48"	48"	8	32
	6532KOE09R4	R4 Ebbs & Flows Open Cell Kit	48 x 96 x 9"	48"	96"	12	32
	6532KOE09R8	R8 Ebbs & Flows Open Cell Kit	96 x 48 x 9"	96"	48"	12	32
	6532KOE09S8	S8 Ebbs & Flows Open Cell Kit	96 x 96 x 9"	96"	96"	16	64

◆ When specifying or ordering, add 3-letter color suffix to item number.
NOTE: All panels in a kitted module must be the same color. A 1/4" gap exists between the ends of panels for best visual. For custom shapes, sizes, and layouts, contact ASQuote@armstrongceilings.com. See the FeltWorks® Open Cell Design Guide for easy ways to create custom looks using standard products.

PERFORMANCE

Fire Rating	Light Reflect	Certified Low VOC Emissions	CleanAssure™ Disinfectable Panels		DURABILITY			
			Spray	Water Repel	Impact	Scratch		
Class 0.80 A	*	*	*	*	*	*	*	*

Dots represent high level of performance.



new FELTWORKS® Open Cell
Peaks & Valleys Panel Kits



Declare.

GREENGUARD
Gold Certified

LEED WELL | LBC

50% RECYCLED CONTENT

For LEED contribution contact TechLine

energy management	recyclable/extended producer resp.	biobased materials	recycled content	sourcing of raw materials	material ingredient reporting	low emitting materials	lighting quality	acoustics			
construction waste mgmt	regional materials	design for flexibility	EPD	recyclable/extended producer resp.	biobased materials	recycled content	sourcing of raw materials	material ingredient reporting	low emitting materials	lighting quality	acoustics
LOCATION DEPENDENT				COTTON ONLY							

ACOUSTICAL INFORMATION

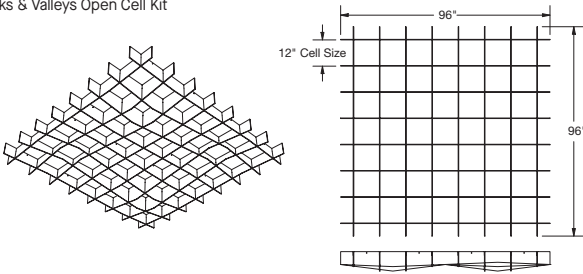
Panel Thickness	1/4"	Sound Absorption (Sabins/SF)	Up to 0.52
-----------------	------	------------------------------	------------



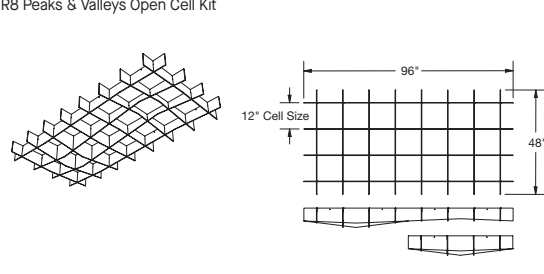
FeltWorks® Open Cell Peaks & Valleys panels in Cotton

STANDARD KITTED MODULE OPTIONS

S8 Peaks & Valleys Open Cell Kit



R4 or R8 Peaks & Valleys Open Cell Kit



VISUAL SELECTION

Item No. ♦	Description	Kit Nominal Dimensions (W x L x D)	Top & Bottom Panel Length	Mid Panel Length	Panels per Kit	SF of Installed Space
6532KOP09S4	S4 Peaks & Valleys Open Cell Kit (Kit includes two 48" x 48" assemblies)	48 x 48 x 9"	48"	48"	8	32
6532KOP09R4	R4 Peaks & Valleys Open Cell Kit	48 x 96 x 9"	48"	96"	12	32
6532KOP09R8	R8 Peaks & Valleys Open Cell Kit	96 x 48 x 9"	96"	48"	12	32
6532KOP09S8	S8 Peaks & Valleys Open Cell Kit	96 x 96 x 9"	96"	96"	16	64

♦ When specifying or ordering, add 3-letter color suffix to item number.
NOTE: All panels in a kitted module must be the same color. A 1/4" gap exists between the ends of panels for best visual. For custom shapes, sizes, and layouts, contact ASQuote@armstrongceilings.com
See the FeltWorks® Open Cell Design Guide for easy ways to create custom looks using standard products.

PERFORMANCE

Fire Rating	Light Reflect	Certified Low VOC Emissions	CleanAssure™ Disinfectable Panels	DURABILITY			
Class	0.80	*	Spray	Water Repel	Impact	Scratch	
Class A	0.80	*	*	*	*	*	
Class A	0.80	*	*	*	*	*	
Class A	0.80	*	*	*	*	*	
Class A	0.80	*	*	*	*	*	

Dots represent high level of performance.

CLOUDS & CANOPIES – Standard

new FELTWORKS® Open Cell
Rectangular Panel Kits



Declare.

GREENGUARD
Gold Certified

LEED® WELL | LBC

50% RECYCLED CONTENT

- energy management
- construction waste mgmt
- regional materials
- design for flexibility

For LEED contribution contact TechLine

- recycled content
- sourcing of raw materials
- material ingredient reporting
- low emitting materials
- lighting quality
- acoustics

LOCATION DEPENDENT

COTTON ONLY

ACOUSTICAL INFORMATION

Sound Absorption
(Sabins/SF)

Panel Thickness



1/4"

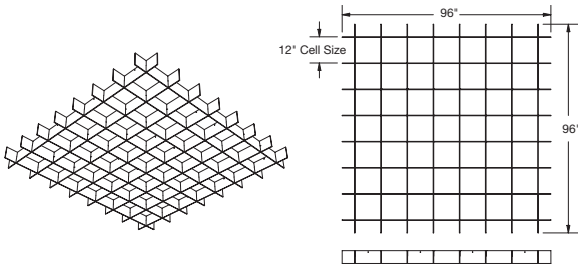
Up to 0.52



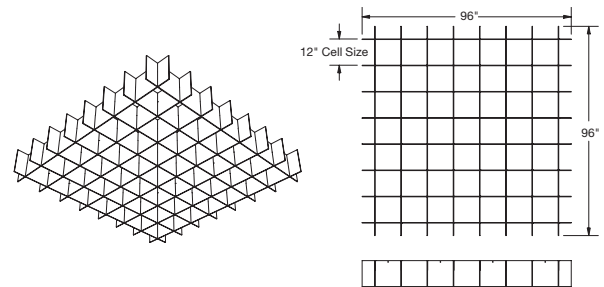
FeltWorks® Open Cell Rectangular panels in Smoke

STANDARD KITTED MODULE OPTIONS

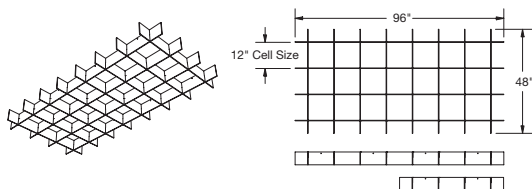
S8 Rectangles 6" Depth Open Cell Kit



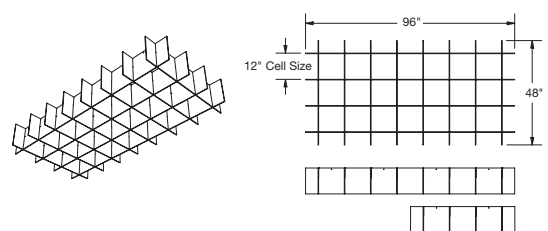
S8 Rectangles 12" Depth Open Cell Kit



R4 or R8 Rectangles 6" Depth Open Cell Kit



R4 or R8 Rectangles 12" Depth Open Cell Kit



new FELTWORKS® Open Cell
Rectangular Panel Kits



Declare.

GREENGUARD
Gold Certified

LEED WELL | LBC

50% RECYCLED CONTENT

For LEED contribution contact TechLine

energy management	construction waste mgmt	regional materials	design for flexibility	EPD	recyclable/extended producer resp.	biobased materials	recycled content	sourcing of raw materials	material ingredient reporting	low emitting materials	lighting quality	acoustics
LOCATION DEPENDENT											COTTON ONLY	

VISUAL SELECTION

PERFORMANCE

Item No. ♦	Description	Kit Nominal Dimensions (W x L x D)	Top & Bottom Panel Length	Mid Panel Length	Panels per Kit	SF of Installed Space	Fire Rating	Light Reflect	Certified Low VOC Emissions	CleanAssure™ Disinfectable Panels	DURABILITY		
							Class A	0.80 *		Spray	Water Repel	Impact	Scratch
6532KOR06S4	S4 Rectangles 6" Depth Open Cell Kit (Kit includes two 48" x 48" assemblies)	48 x 48 x 6"	48"	48"	8	32	Class A	0.80 *					
6532KOR06R4	R4 Rectangles 6" Depth Open Cell Kit	48 x 96 x 6"	48"	96"	12	32	Class A	0.80 *					
6532KOR06R8	R8 Rectangles 6" Depth Open Cell Kit	96 x 48 x 6"	96"	48"	12	32	Class A	0.80 *					
6532KOR06S8	S8 Rectangles 6" Depth Open Cell Kit	96 x 96 x 6"	96"	96"	16	64	Class A	0.80 *					
6532KOR12S4	S4 Rectangles 12" Depth Open Cell Kit (Kit includes two 48" x 48" assemblies)	48 x 48 x 12"	48"	48"	8	32	Class A	0.80 *					
6532KOR12R4	R4 Rectangles 12" Depth Open Cell Kit	48 x 96 x 12"	48"	96"	12	32	Class A	0.80 *					
6532KOR12R8	R8 Rectangles 12" Depth Open Cell Kit	96 x 48 x 12"	96"	48"	12	32	Class A	0.80 *					
6532KOR12S8	S8 Rectangles 12" Depth Open Cell Kit	96 x 96 x 12"	96"	96"	16	64	Class A	0.80 *					

♦ When specifying or ordering, add 3-letter color suffix to item number.
NOTE: All panels in a kitted module must be the same color. A 1/4" gap exists between the ends of panels for best visual.
For custom shapes, sizes, and layouts, contact ASQuote@armstrongceilings.com
See the FeltWorks® Open Cell Design Guide for easy ways to create custom looks using standard products.

Dots represent high level of performance.



CLOUDS & CANOPIES – Standard

new FELTWORKS® Open Cell
Acoustical Clouds



Declare.

GREENGUARD
Gold Certified

LEED® WELL | LBC

50% RECYCLED CONTENT

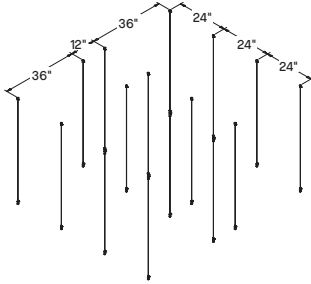
- energy management
- construction waste mgmt
- regional materials
- design for flexibility
- EPD
- recyclable/repurposed producer resp.
- biobased materials
- recycled content
- sourcing of raw materials
- material ingredient reporting
- low emitting materials
- lighting quality
- acoustics

For LEED contribution contact TechLine

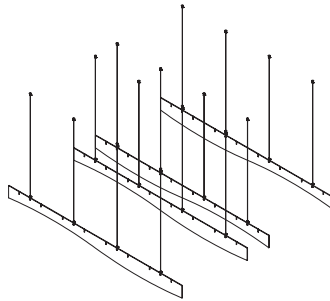
LOCATION DEPENDENT

COTTON ONLY

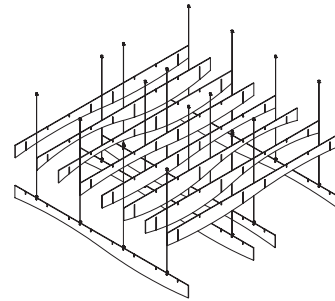
LAYOUT DETAILS/INSTALLATION DETAILS



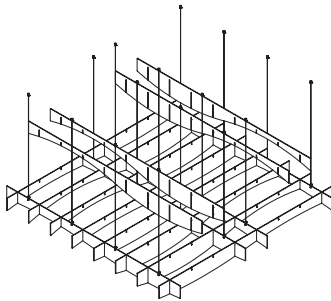
Step 1: Attach Hanging Kits to Deck



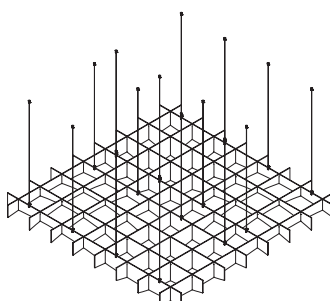
Step 2: Attach Bottom Panels to Hanging Kits



Step 3: Insert Mids Perpendicular to Bottom Panels



Step 4: Insert Top Panels Parallel to Bottoms

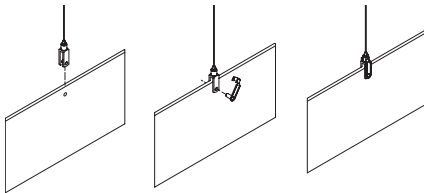


Complete Installation



Hanging Kit (Item 6655) assembly detail

HANGING KIT



SUSPENSION SYSTEMS

	Item No. ♦	Description	Color	Pcs./Ctn
Individual Suspension Hanging Kit	6655	4-Point Hanging Kit	N/A	1 kit/4 hanging assemblies



PHYSICAL DATA

Material
1/4" thick non-woven layered and formed polyester felt (PET) fiber panels with color throughout.

Fire Performance
Flame Spread Index 25 or less. Smoke Developed Index 450 or less. Class A per ASTM E84.
CAN/ULC S102 surface burning characteristics. Flame Spread Rating of 75 or less. Smoke Developed Classification of 105.

FeltWorks® Open Cell panels, as with other architectural features located in the ceiling plane, may obstruct or skew the existing or planned fire sprinkler water distribution pattern, or possibly delay the activation of the fire sprinkler or fire detection system. Consult a fire protection engineer, NFPA 13, and local codes for guidance on the proper installation techniques where fire detection or suppression systems are present.

Application Considerations
Color and texture may vary from panel to panel and from order to order. Adequate attic stock should be ordered. Due to the nature of recycled materials, small dark fibers may be visible on light panels.

FeltWorks Open Cell panels are not approved for exterior application.

FeltWorks Open Cell panels should not be installed near sources of heat greater than 158 degrees F.

Design Support
For custom design assistance contact ProjectWorks® Design Services or visit armstrongceilings.com/projectworks

Acoustical Performance
Tested per ASTM C423 and mounted in accordance with ASTM E795. Sound absorption of 0.52 Sabins/SF.
Contact TechLine for details at techline@armstrongceilings.com

VOC Emissions
GREENGUARD Gold Certified
Third-party certified compliant with California Department of Public Health CDPH/EHLB/Standard Method Version 1.2, 2017. This standard is the guideline for low emissions in LEED®, WELL Building Standard®, Living Building Challenge® (LBC), CalGreen Title 24, ANSI/ASHRAE/USGBC/IES Standard 189; ANSI/GBI Green Building Assessment Protocol.



Installation Considerations
Any fixtures adjacent to FeltWorks Open Cell panels must be independently supported.

Seismic Restraint
FeltWorks Open Cell panels have been engineered, tested, and approved for use in all seismic areas. See installation instructions for details.

Cleaning and Disinfecting
Cleaning and CDC approved disinfecting options available on armstrongceilings.com/cleaning

Warranty
Details at armstrongceilings.com/warranty

Weight; Pieces/Carton
0.33 lbs/SF
Custom quantities available, contact ASQuote@armstrongceilings.com

TechLine / 1 877 276-7876
armstrongceilings.com/feltworksopencell
BPCS-6260-624

LEED® is a registered trademark of the U.S. Green Building Council; Declare® and Living Building Challenge® (LBC) are registered trademarks of the International Living Future Institute®; WELL™ and WELL Building Standard are trademarks of the International WELL Building Institute; UL and UL Certified are trademarks of UL LLC; all other trademarks used herein are the property of AWI Licensing LLC and/or its affiliates © 2024 AWI Licensing LLC

Armstrong®
World Industries



CLOUDS & CANOPIES – Standard