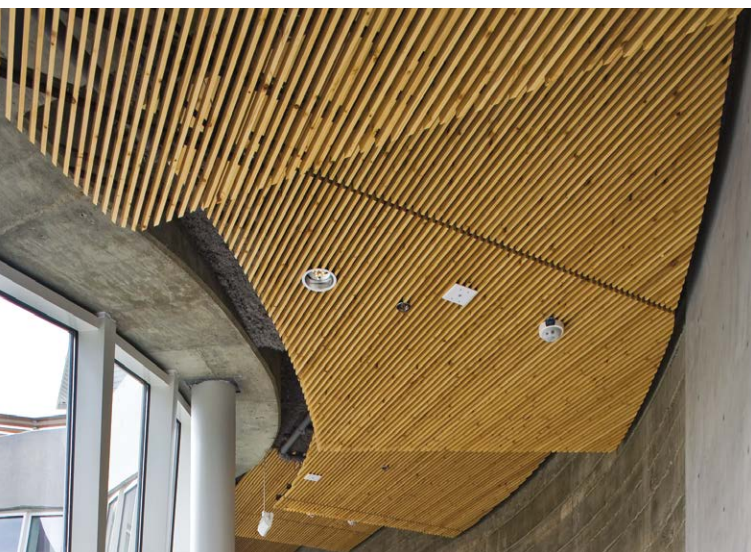


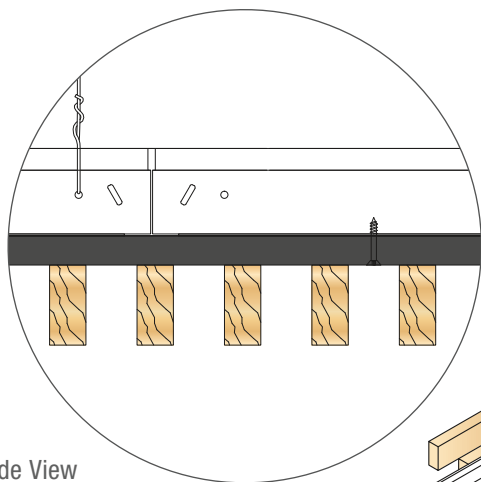
# WOODWORKS® ACGI Grille System

## Backer Series 1

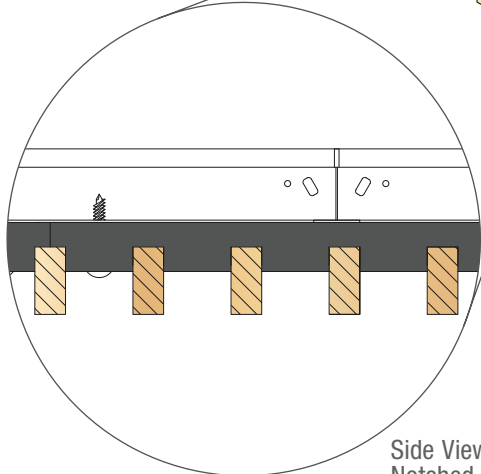


Grille Backer Series 1 (GB1) is panelized with factory-attached wood backers at 12" O.C. Backers are painted fat black (other finishes are available). GB1 panels install by screwing through the backers between blades. Ceiling applications are suspended from Armstrong® Prelude® XL® are installed with 1/2"–1" reveal between panel ends and at perimeter walls or headers. Optional notched backers provide additional strength and stability for wall applications with blade depths greater than 2". For post-installation access the attachment screws can be removed, or optional suspension can be provided for regular access.

Grille Backer Series 1 (GB1) system is available in solid wood or wood veneer (depending on blade size and design requirements). Blade sizes are typically 1-3/8"– 3-1/2" deep (for depths greater than 3-1/2" see our Baffle Systems). Grille panels are assembled with four to ten blades per foot. Panels are nominal 1' or 2' width by varying lengths in 1' increments (custom widths and lengths are available).

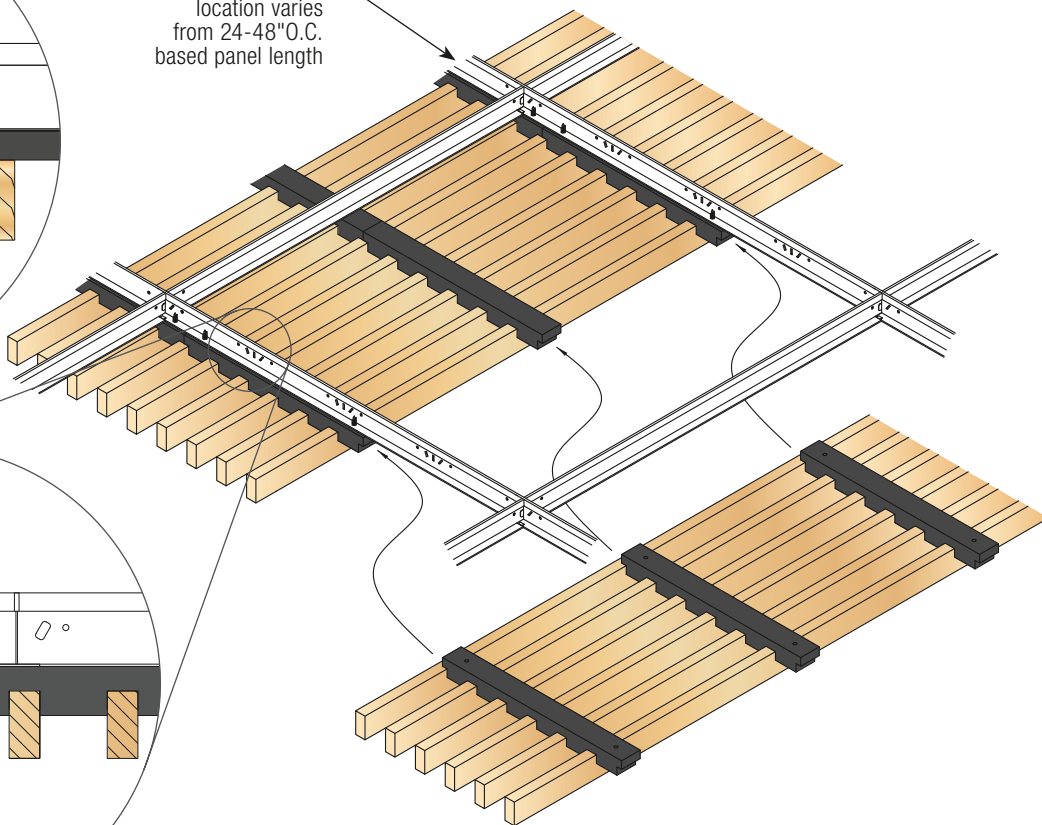


Side View  
Standard Backer



Side View  
Notched Backer (optional)

Main Runner  
location varies  
from 24-48" O.C.  
based panel length



Grille Backer Series 1 – Specification Information					
Product No.	Suspension	Encapsulated Insulation	Blades per ft.	Depth	Typical Thickness
GB1-####-#	Wood Backer	No	4-10	1" – 3-1/2"	3/4"

How To Spec It...

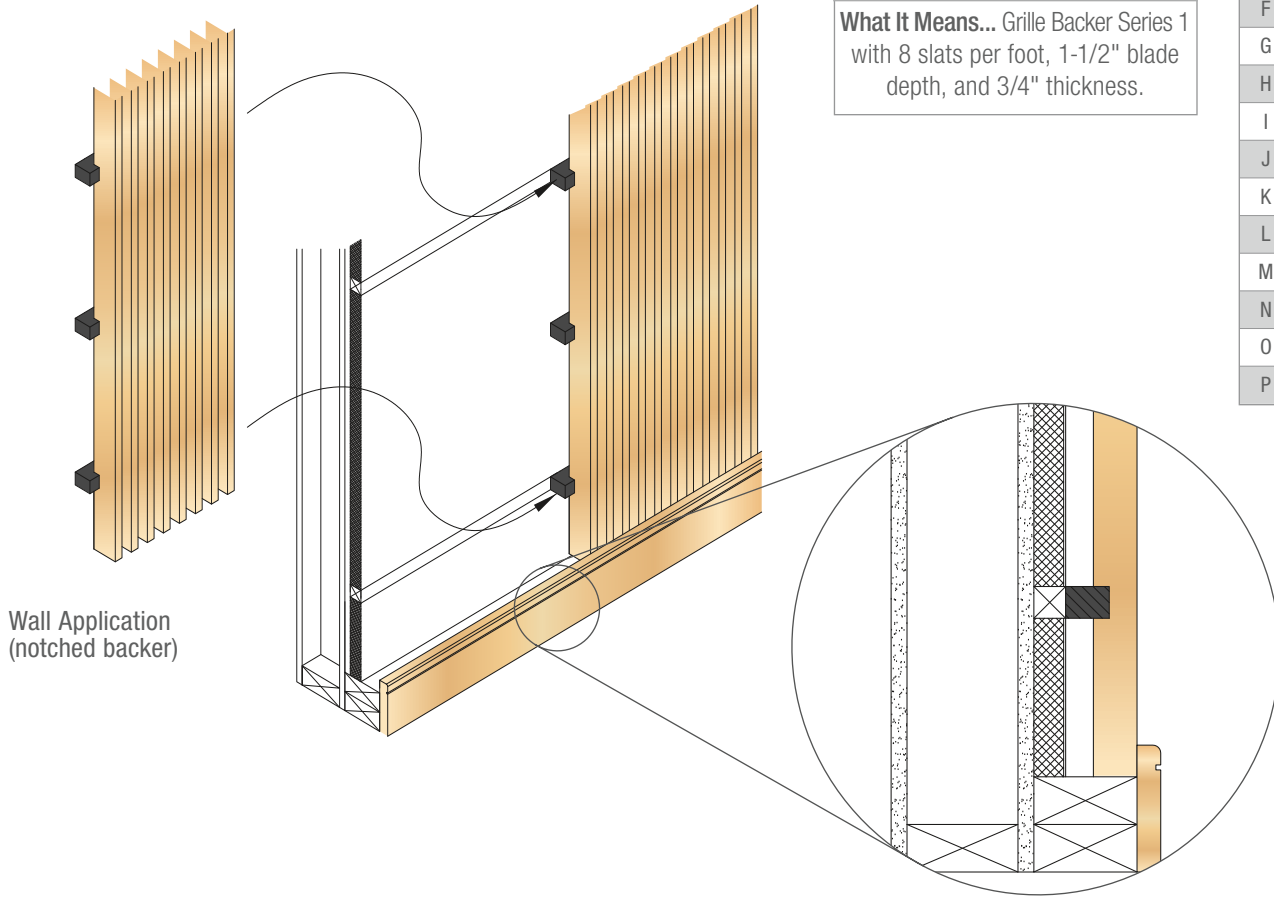
Series Thickness ●

**GB1-8150-C**

# of Slats per foot Height

What It Means... Grille Backer Series 1 with 8 slats per foot, 1-1/2" blade depth, and 3/4" thickness.

Thickness Reference	
A	1/2"
B	5/8"
● C	3/4"
D	7/8"
E	1"
F	1-1/8"
G	1-1/4"
H	1-3/8"
I	1-1/2"
J	1-5/8"
K	1-3/4"
L	1-7/8"
M	2"
N	2-1/8"
O	2-1/4"
P	2-3/8"



**LEED® CREDIT**

Depending upon product it may contribute to LEED credits. Contact us for more information.

**SPECIES + STAINS**

Grille Backer Series 1 is available in a variety of Veneer species and custom stains. Please see Wood Species + Stain Catalog. Contact us for more information.

**FIRE RATING**

Solid Wood – Class C: ASTM E84 surface burning characteristics. Class B available with fire rated treatment.  
 Veneer Wood (Non-Perforated) – Class A: ASTM E84 surface burning characteristics.

**DELIVERY, STORAGE & HANDLING (FOR INTERIOR APPLICATION ONLY)**

Material must be stored and installed only in secured ambient environment (humidity range 25%–55%, temperature not to exceed 86°F). All windows, doors, and wet-work must be complete before installation. Handle carefully to avoid damaging.

**WARRANTY**

Details at [armstrongceilings.com/warranty](http://armstrongceilings.com/warranty)