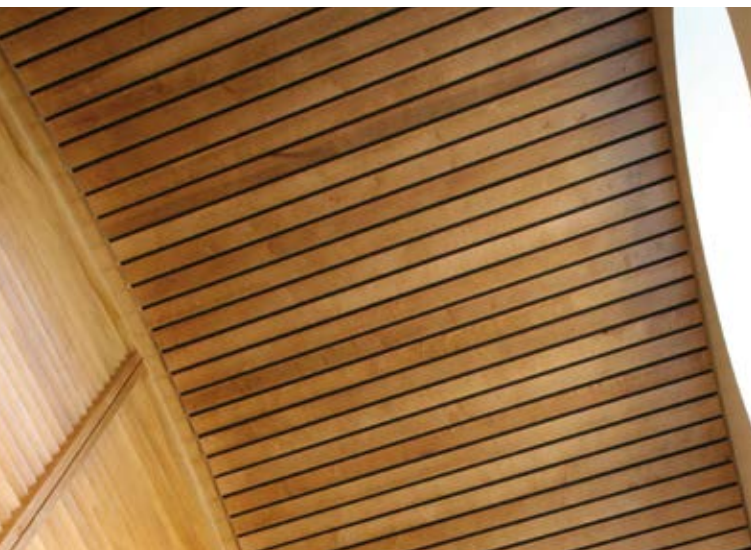


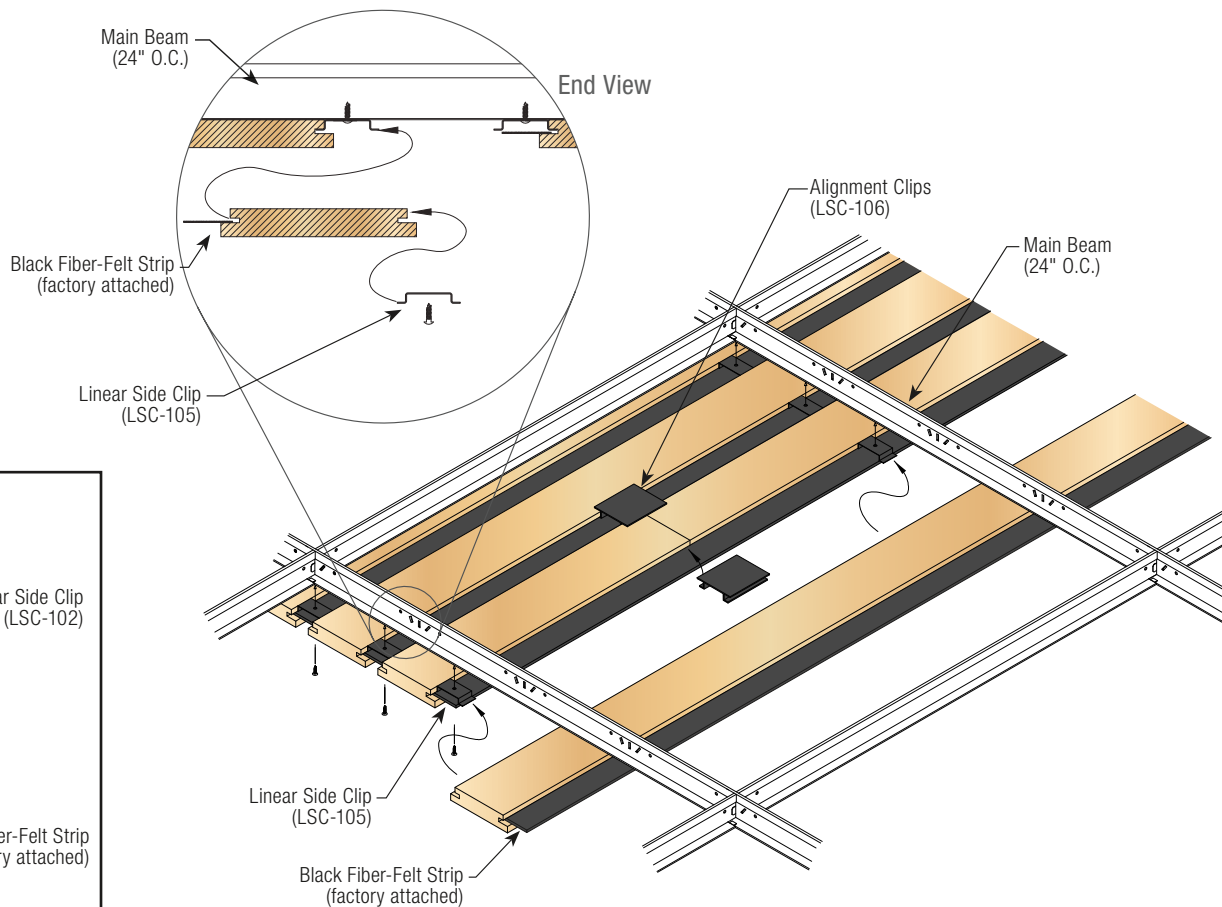
WOODWORKS™ ACGI Linear System

Open Series 2

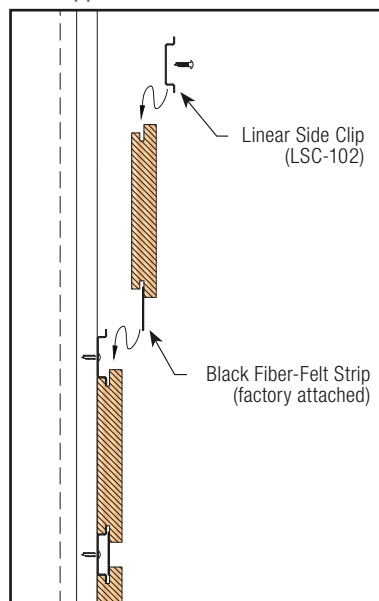


Linear Open Series 2 (LO2) are available in solid wood and veneer wood options. Veneer LO2 planks are supplied in 8' and 10' typical lengths. Solid wood LO2 planks are supplied in random lengths from 4' – 10'.

LO2 includes a factory-installed exterior black bug screen (scrim) reveal offering visual concealment of the plenum. The standard reveal is 3/4" (with an optional 1/2") allowing the acoustical treatment to absorb sound waves. Planks are typically 3/4" thick. LO2 is an individual plank system installed progressively with our linear clips (LSC-105). Clips are black for concealment. Planks are butted end-to-end using alignment clips (LSC-106) resulting in a more continuous appearance along the ceiling. LO2 is suspended from Armstrong® Prelude® XL® grid. The series is completely accessible by removing two adjacent planks. Access panels or doors are optional in areas where frequent access above the ceiling is required.



Wall Application



Linear Open Series 2 – Specification Information					
Product No.	Suspension	Reveal	Solid Wood Width	Veneer Width	Typical Thickness
L02-###-C	Side Clip	1/2" or 3/4"	Up to 5-1/2"	Up to 6"	3/4"

How To Spec It...

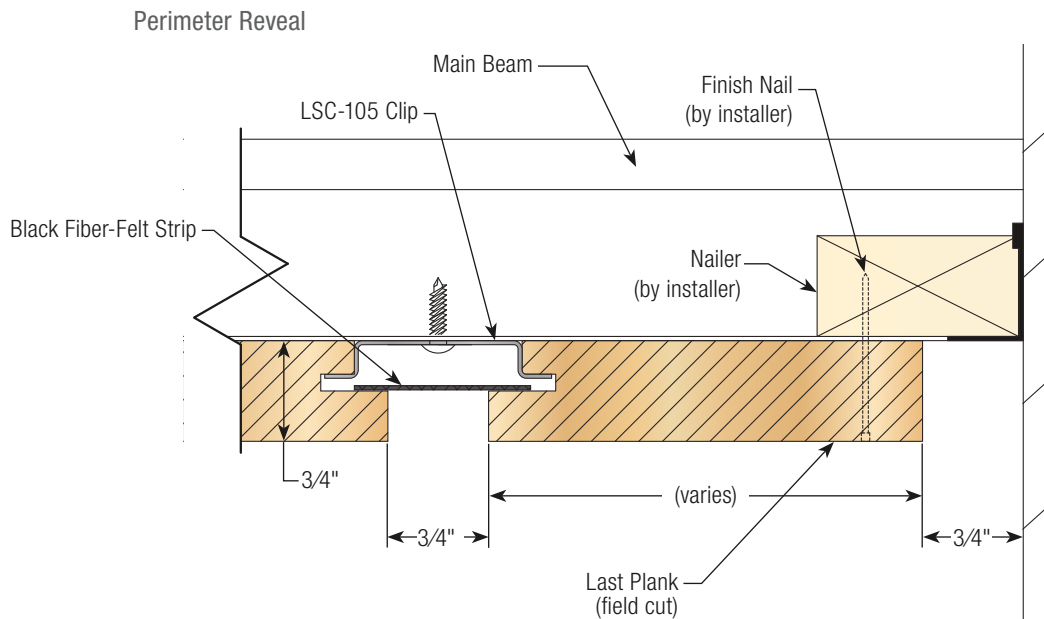
Series Thickness ●

L02-375-C

Width ●

What It Means... Linear Open Series 2, 3-3/4" wide plank and 3/4" thick.

Thickness Reference	
● C	3/4"
D	7/8"
E	1"
F	1-1/8"
G	1-1/4"
H	1-3/8"
I	1-1/2"



ACOUSTICS

NRC up to 0.80

LEED® CREDIT

Depending upon product it may contribute to LEED credits. Contact us for more information.

SPECIES + STAINS

Please see Wood Species + Stain Catalog. Contact us for more information.

FIRE RATING

Solid Wood – Class C: ASTM E84 surface burning characteristics. Class B available with fire rated treatment.

Veneer Wood (Non-Perforated) – Class A: ASTM E84 surface burning characteristics.

DELIVERY, STORAGE & HANDLING (FOR INTERIOR APPLICATION ONLY)

Material must be stored and installed only in secured ambient environment (humidity range 25%–55%, temperature not to exceed 86°F).

All windows, doors, and wet-work must be complete before installation. Handle carefully to avoid damaging.

WARRANTY

Details at armstrongceilings.com/warranty