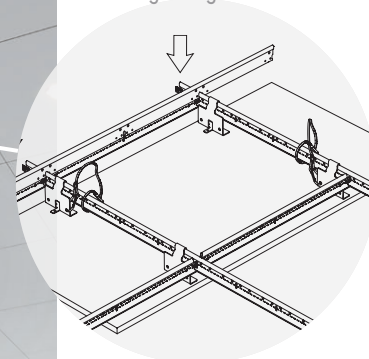


METALWORKS™ Concealed

smooth texture



CAD/Revit® drawings at:
armstrongceilings.com/cadrevit



MetalWorks™ Concealed 48" x 96" panels in Silver Grey

See more photos at:
armstrongceilings.com/photogallery

Large-size panels with concealed suspension are 100% accessible.

KEY SELECTION ATTRIBUTES

- Narrow 1/4" reveal offers clean, monolithic look
- Hook-on panels provide safe and secure downward accessibility
- Create continuous look or use with clouds and perimeter trim
- CleanAssure™ family of products – includes disinfectable panels, suspension systems, and trim
- Lightweight panels install with standard 15/16" suspension system
- Complete standard system from one manufacturer

COLORS Due to printing limitations, shade may vary from actual product.



White
(WH)

Silver Grey
(SG)

Gun Metal
Grey (MY)

PERFORATION OPTIONS (1:2 scale shown)



M1
(Unperforated)

M10
(Rg 2513)

METALWORKS™ Concealed

smooth texture

LEED® WELL™ LBC

UP TO **85% RECYCLED CONTENT**

Calculate sustainability with Ecomedes
armstrongceilings.com/ecomedes

energy management, construction waste mgmt, regional materials, design for flexibility, EPD, recyclable/producer resp., bio-based materials, recycled content, sourcing of raw materials, material ingredient reporting, low emitting materials, lighting quality, acoustics

LOCATION DEPENDENT

WITH INFILL PANEL

VISUAL SELECTION

Item No. ♦	Dimensions (Inches) W x L x H	Perforations
METALWORKS™ Concealed 1/4" Reveal 		
6664 _ _ _ _	24 x 96 x 5/8"	M1; M10
6665 _ _ _ _	24 x 120 x 5/8"	M1; M10
6666 _ _ _ _	48 x 48 x 5/8"	M1; M10
6667 _ _ _ _	48 x 96 x 5/8"	M1; M10
6668 _ _ _ _	48 x 120 x 5/8"	M1; M10

♦ When specifying or ordering, include the appropriate perforation and color suffix with the item number (e.g., 6664 M1 M Y).

PERFORMANCE

Dots represent high level of performance.

Fire Performance 	Light Reflect (White only) 	CleanAssure™ Disinfectable Panels							DURABILITY
		Fog 	Spray 	Wipe 	Wash 	Scrub 	Impact 	Soil 	
Class A	0.73 (M1)	*	*	*	*	*	*	*	
Class A	0.73 (M1)	*	*	*	*	*	*	*	
Class A	0.73 (M1)	*	*	*	*	*	*	*	
Class A	0.73 (M1)	*	*	*	*	*	*	*	
Class A	0.73 (M1)	*	*	*	*	*	*	*	

ACOUSTICAL INFORMATION

Perforation	NRC
M1 	N/A
M10 	0.80 0.90†

Maximum NRC achieved with acoustical infill options.
† NRC 0.90 achieved with BioAcoustic infill 5479 or fiberglass infill 8200T10.

EXAMPLE: **6664 M10 SG**

Panel Dimension/Type: 24" x 96" Perforation: M10 Finish: Silver Grey

ACCESSORIES

Item No. ♦	Description	Dimensions (Inches)	Color	Pieces/Carton
6656M1 _ _	MetalWorks™ Concealed Trim	6" x 120"	WH, SG, MY	6
7842A _ _	Slip-on Molding	1/2 x 120 x 5/8"	WH, SG, MY	40
FXTBC	T-bar Connector Clip	-	-	10
FX4SPICE	Splice Plate with Set Screws	-	-	10
8200T10	Fiberglass Infill Panel	24 x 24 x 1"	Black (Gloss)	12
5823	BioAcoustic™ Infill Panel	24 x 24 x 5/8"	Black	12
5479	BioAcoustic™ Infill Panel	24 x 24 x 5/8"	Beige	12
7239	Adjustable Trim Clip	-	N/A	50

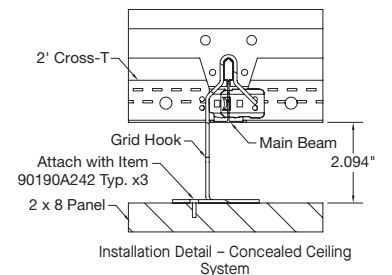
NOTE: Adjustable Trim Clip used with standard Axiom® or MetalWorks Trim systems.

SUSPENSION SYSTEM

15/16" Heavy-duty Prelude® XL® Suspension System

Item No.	Description	Dimensions	Quantity
5986	T-Bar Hook†	Nominal 4 x 2 x 3"	50
90190A242	#10 Pan Head Sheet Metal Screw	1/2"	100
6091	Safety Cable	24" x 3/32"	50
SH12	Support Hanger	144" x 2"	12

† For 24" x 96", 48" x 48", and 48" x 96" panels, install 4 hooks per panel; for 24" x 120" and 48" x 120" panels install 6 hooks per panel. NOTE: Refer to installation instructions at armstrongceilings.com/installation for a better understanding of suspension requirements.



PHYSICAL DATA

Material
Aluminum composite - 0.57" thick

Surface Finish
Factory-applied powder-coated finish (post-coated)

Acoustical Performance
MetalWorks™ Concealed perforated panels provide outstanding sound absorption. NRC 0.95 achieved with acoustical infill item 5823. See CS-4172 for more information on infill panels.

Fire Performance
Class A: ASTM E84 surface burning characteristics. Flame Spread Index 25 or less. Smoke Developed 50 or less.

Installation Considerations
Please refer to installation instructions LA-297890 before installing MetalWorks Concealed panels.
Not made for SingleSpan™ corridor applications.

Seismic Restraint
MetalWorks Concealed panels have been engineered, tested, and approved for application in all seismic areas when installed per Armstrong installation instructions.

Cleaning and Disinfecting
Cleaning and CDC approved disinfecting options available on armstrongceilings.com/cleaning

Warranty
Details at armstrongceilings.com/warranty

Weight; Square Feet/Carton
0.97 lbs/SF (Bulk packaged)