

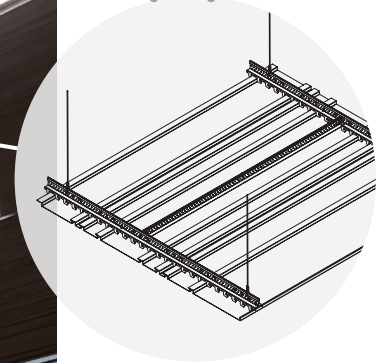
METALWORKS™ Linear – Classics  
Interior & Exterior  
smooth texture



**FAST134**  
Select Items Ship Fast  
[armstrongceilings.com/fast134](http://armstrongceilings.com/fast134)



CAD/Revit® drawings at:  
[armstrongceilings.com/cadrevit](http://armstrongceilings.com/cadrevit)



plus capabilities  
to do more




[armstrongceilings.com/capabilities](http://armstrongceilings.com/capabilities)  
See more photos at:  
[armstrongceilings.com/photogallery](http://armstrongceilings.com/photogallery)

MetalWorks™ Linear – Classics ceiling system in Effects™ Walnut Espresso with custom color filler strips

Durable, metal panels in more widths for a variety of flexible and unique acoustical interior/exterior solutions.

**KEY SELECTION ATTRIBUTES**

- Universal suspension system will enable easy installation and a clean finished visual
- Nominal 2", 4", 6", 8", 10", and 12" wide panels, including nominal 1" reveal (contact ASQuote for custom capabilities at [asquote@armstrongceilings.com](mailto:asquote@armstrongceilings.com))
- Discontinuous ceilings possible with Effects™ trim or Axiom® trim, using the Adjustable Trim Clip
- Mix and match widths for a striated visual
- CleanAssure™ family of products – includes disinfectable panels, suspension systems, and trim
-  Select products included in the FAST134 program – ready to ship in 4 weeks or less
- Install in the ceiling, on the wall
- Create 90° angled or curved ceiling-to-wall transitions
- Available for exterior applications when using M1 planks. Tested to meet wind uplift Classes 30, 60, 90
- Acoustical options with microperforated panels
- Fast and easy installation

# METALWORKS™ Linear – Classics

## Interior & Exterior

smooth texture

**LEED® WELL™ LBC**

UP TO **25% RECYCLED CONTENT**

For LEED contribution contact TechLine

- energy management
- construction waste mgmt
- regional materials
- design for flexibility
- EPD
- recyclable/producer resp.
- biobased materials
- recycled content
- sourcing of raw materials
- material ingredient reporting
- low emitting materials
- lighting quality
- acoustics

LOCATION DEPENDENT




WITH INFILL PANEL



MetalWorks™ Linear – Classics Ceiling System with 4" Perforated and Unperforated panels in White

### STANDARD COLORS & FINISHES

#### Painted Finishes

		
White Interior & Exterior: (WH2)	Silver Grey Interior & Exterior: (SG2)	Gun Metal Grey Interior & Exterior: (MY2)

#### Effects™ Classic Dye-Sublimation


		
Effects Cherry Interior: (FXCH) Exterior: (FXCH2)	Effects Dark Cherry Interior: (FXDC) Exterior: (FXDC2)	Effects Oak Interior: (FXOK) Exterior: (FXOK2)
		
Effects Walnut Interior: (FXWN) Exterior: (FXWN2)	Effects Walnut Espresso Interior: (FXWE) Exterior: (FXWE2)	

Due to printing limitations, shade may vary from actual product.


#### Effects™ Bold Dye-Sublimation

		
Effects Sea Salt Interior: (FXSS) Exterior: (FXSS2)	Effects Ginger Interior: (FXGR) Exterior: (FXGR2)	Effects Nutmeg Interior: (FXNM) Exterior: (FXNM2)
		
Effects Poppy Seed Interior: (FXPS) Exterior: (FXPS2)	Effects Peppercorn Interior: (FXPC) Exterior: (FXPC2)	Effects Almond Interior: (FXAL) Exterior: (FXAL2)


#### Effects™ Subtle Dye-Sublimation

		
Effects Sesame Interior: (FXSE) Exterior: (FXSE2)	Effects Macadamia Interior: (FXMA) Exterior: (FXMA2)	Effects Cinnamon Interior: (FXCM) Exterior: (FXCM2)
		
Effects Flax Interior: (FXFL) Exterior: (FXFL2)	Effects Cocoa Bean Interior: (FXCB) Exterior: (FXCB2)	Effects Coriander Interior: (FXCO) Exterior: (FXCO2)

### CUSTOM COLORS & FINISHES




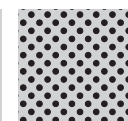
Custom Colors Available



Custom Wood-look Finishes Available

For custom options contact ASQuote,  
ASQuote@armstrongceilings.com

### PERFORATION OPTIONS (1:2 scale shown)

	
M1 (Unperforated)	M2 (Microperforated)

NOTE: Exterior planks available in M1 perforation only



# METALWORKS™ Linear – Classics

## Interior & Exterior

smooth texture

LEED WELL LBC UP TO 25% RECYCLED CONTENT

For LEED contribution contact TechLine

- energy management
- construction waste mgmt
- regional materials
- design for flexibility
- EPD
- recyclable/extended producer resp.
- biobased materials
- recycled content
- sourcing of raw materials
- material ingredient reporting
- low emitting materials
- lighting quality
- acoustics

LOCATION DEPENDENT

WITH INFILL PANEL

### VISUAL SELECTION

Item No. ♦	Description	Dimensions Nominal W x L x H (Inches) Custom Sizes Available
METALWORKS™ Linear – Classics Planks Interior & Exterior		
8120_ _ _ _ _	2" Unperforated	96 × 2 × 5/8"
5490_ _ _ _ _	4" Unperforated	96 × 4 × 5/8"
7160_ _ _ _ _	6" Unperforated	96 × 6 × 5/8"
5491_ _ _ _ _	8" Unperforated	96 × 8 × 5/8"
8122_ _ _ _ _	10" Unperforated	96 × 10 × 5/8"
5570_ _ _ _ _	12" Unperforated	96 × 12 × 5/8"
METALWORKS Linear - Classics Planks Interior Only		
8121_ _ _ _ _	2" Microperforated (with plain border and acoustical fleece)	96 × 2 × 5/8"
5492_ _ _ _ _	4" Microperforated (with plain border and acoustical fleece)	96 × 4 × 5/8"
7161_ _ _ _ _	6" Microperforated (with plain border and acoustical fleece)	96 × 6 × 5/8"
5493_ _ _ _ _	8" Microperforated (with plain border and acoustical fleece)	96 × 8 × 5/8"
8123_ _ _ _ _	10" Microperforated (with plain border and acoustical fleece)	96 × 10 × 5/8"
5571_ _ _ _ _	12" Microperforated (with plain border and acoustical fleece)	96 × 12 × 5/8"

### PERFORMANCE

Dots represent high level of performance.

Fire Performance (White only)	CleanAssure™ Disinfectable Panels								DURABILITY				Acoustics
	Fog	Spray	Wipe	Wash	Scrub	Impact	Scratch	Soil	Soil	Soil	Soil		
Class A	0.73	*	*	*	*	*	*	*	*	*	*	N/A	
Class A	0.73	*	*	*	*	*	*	*	*	*	*	N/A	
Class A	0.73	*	*	*	*	*	*	*	*	*	*	N/A	
Class A	0.73	*	*	*	*	*	*	*	*	*	*	N/A	
Class A	0.73	*	*	*	*	*	*	*	*	*	*	N/A	
Class A	N/A	*	*	*	*	*	*	*	*	*	*	N/A	
Class A	N/A	*	*	*	*	*	*	*	*	*	*	0.70	
Class A	N/A	*	*	*	*	*	*	*	*	*	*	0.85*	
Class A	N/A	*	*	*	*	*	*	*	*	*	*	0.70	
Class A	N/A	*	*	*	*	*	*	*	*	*	*	0.85*	
Class A	N/A	*	*	*	*	*	*	*	*	*	*	0.70	
Class A	N/A	*	*	*	*	*	*	*	*	*	*	0.85*	



FAST134 program items ready to ship from manufacturer in 4 weeks or less.  
Up-to-date lead times and product options (sizes and colors) at [armstrongceilings.com/fast134](http://armstrongceilings.com/fast134)

♦ When specifying or ordering, include the appropriate 3- or 4-letter color suffix (e.g., 5492 W H 2, 5570 E X C H).  
When specifying or ordering exterior finishes, place a "2" after the item color suffix (e.g., 5491 E X C H 2).  
NOTE: Exterior finishes are only available on M1 planks.  
\* NRC 0.85 with optional fiberglass infill.



# METALWORKS™ Linear – Classics

Interior & Exterior  
smooth texture

**LEED® WELL | LBC**

UP TO **25% RECYCLED CONTENT**

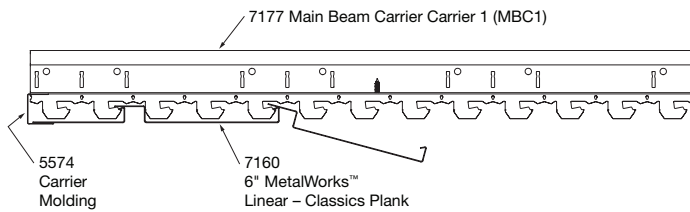
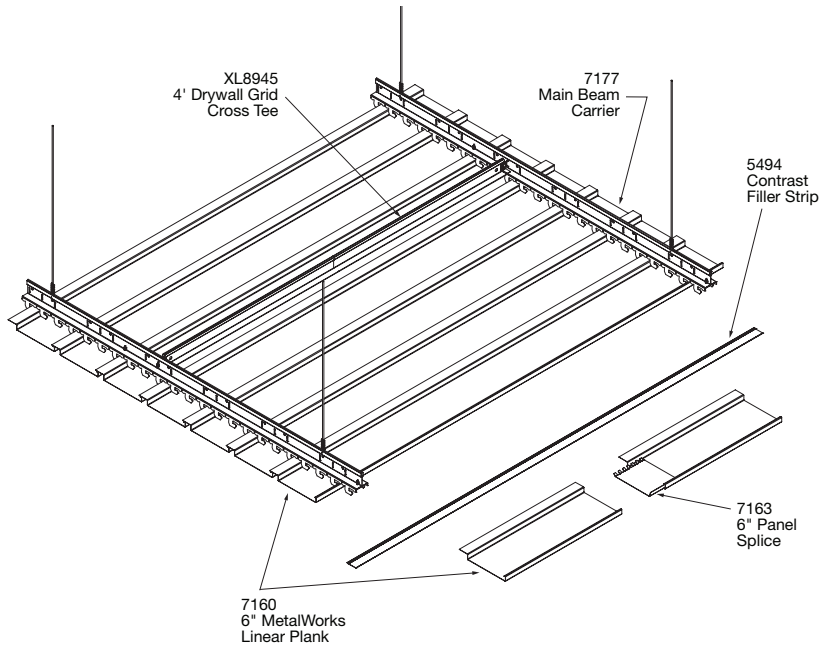
For LEED contribution contact TechLine

energy management	construction waste mgmt	regional materials	design for flexibility	EPD	recyclable/producer resp.	biobased materials	recycled content	sourcing of raw materials	material ingredient reporting	low emitting materials	lighting quality	acoustics

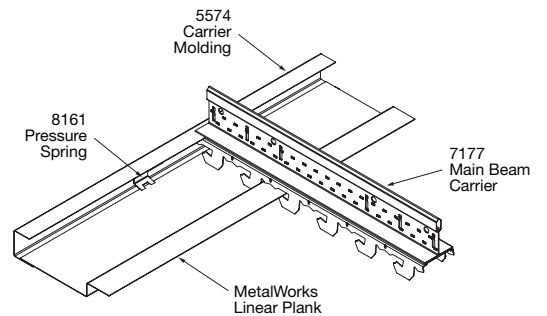
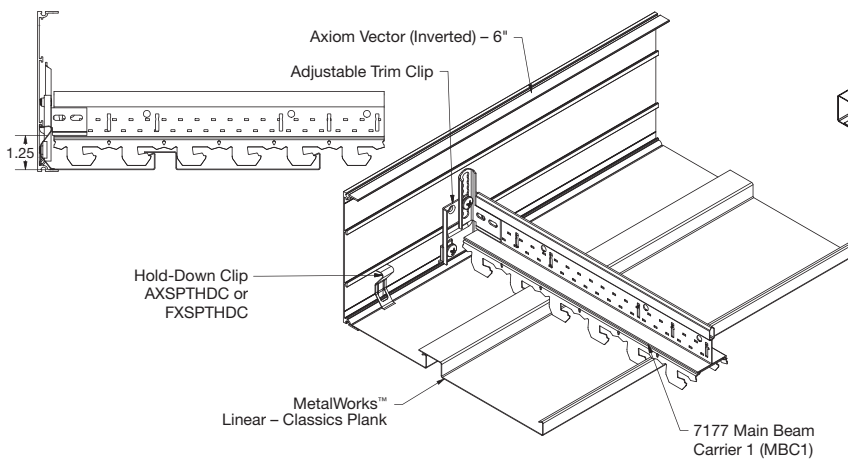
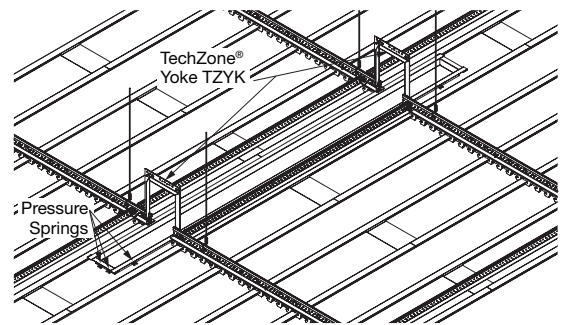
LOCATION DEPENDENT

WITH INFILL PANEL

## INSTALLATION DETAILS



### Linear Light Integration



METALWORKS™ – Standard

# METALWORKS™ Linear – Classics

## Interior & Exterior

smooth texture

**LEED WELL LBC**  
UP TO **25% RECYCLED CONTENT**

energy management  
construction waste mgmt  
regional materials  
design for flexibility  
EPD  
recycle/extended producer resp.  
biobased materials  
recycled content  
sourcing of raw materials  
material ingredient reporting  
low emitting materials  
lighting quality  
acoustics

For LEED contribution contact TechLine

LOCATION DEPENDENT

WITH INFILL PANEL

### SUSPENSION SYSTEM & ACCESSORIES

	Item No. ◆	Description	Dimensions (Inches) Nominal W x L x H	Color	Pieces/Carton
Suspension Systems Interior & Exterior	<b>7177</b>	Main Beam Carrier Assembly – G90 Mill Finish	144 × 1-3/4 × 2-3/4"	N/A	10
	<b>XL8945P</b>	4' Drywall Cross Tee - Interior Only	48 × 1-1/2 × 1-1/2"	N/A	36
	<b>XL8945G90</b>	FrameAll™ 4' Drywall Cross Tee	48 × 1-1/2 × 1-1/2"	N/A	36
	<b>XL7936G90</b>	3' Drywall Cross Tee – Exterior	36 × 1-1/2 × 1-1/2"	N/A	36
	<b>XL8926G90</b>	2' Drywall Cross Tee – Exterior	24 × 1-1/2 × 1-1/2"	N/A	36
Wall-to-Wall Installations	<b>8161</b>	Pressure Spring	3/4 × 3/4 × 1-1/8"	N/A	50
	<b>BERC2</b>	Beam End Retaining Clip	N/A	N/A	200
	<b>5574_ _ _ _ _</b>	Carrier Molding Molding - Exterior Available	120 × 1 × 1"	WH, SG, MY, BL and all Effects Wood Looks	10
	<b>7800_ _ _ _ _</b>	Hemmed Angle Molding	144 × 7/8 × 7/8"	WH, BL	30
	<b>HD7801G90_ _</b>	10' Hemmed Angle Molding – Exterior	120 × 7/8 × 7/8"	N/A	30
	Floating Cloud Installations	<b>AX6VESTR_ _</b>	Axiom® Vector® Trim – 6" Straight	3/4 × 120 × 6"	WH, SG, MY, BL*
<b>AX6VECUR</b>		Axiom® Vector® Trim – 6" Curved	3/4 × 120 × 6"	WH, SG, MY, BL*	N/A
<b>AX6STR_ _ _ _</b>		Axiom® Classic Trim – 6" Straight	3/4 × 120 × 6"	WH, SG, MY, BL*	N/A
<b>AX6CUR_ _ _ _</b>		Axiom® Classic Trim – 6" Curved	3/4 × 120 × 6"	WH, SG, MY, BL*	N/A
<b>7239</b>		Adjustable Trim Clip	N/A	N/A	60
<b>5344_ _ _ _ _</b>		4" Effects™ Wood Looks Trim	Nominal 120" length	All Effects Wood Looks	6
<b>5346_ _ _ _ _</b>		6" Effects Wood Looks Trim	Nominal 120" length	All Effects Wood Looks	6
<b>FXSPTHDC</b>		Hold-Down Clip for Cut Panel Installations	N/A	N/A	10
Other Accessories		<b>7237</b>	Cut Plank Support Bracket	2-1/2 × 2-1/2 × 1-1/4"	N/A
	<b>5494</b>	Contrast Filler Strip	96 × 1-1/4 × 1/16"	50	Black

\* Items with the same finish name will coordinate but may not be an exact color match.  
 ◆ When specifying or ordering, include the appropriate 4- or 5-letter color suffix (e.g., 5583 E X C H, 5583 E X C H 2).  
 NOTE: Due to the non-standard suspension system of this product, call TechLine at 1 877 276 7876 to place an order.



METALWORKS™ – Standard

# METALWORKS™ Linear – Classics

## Interior & Exterior

smooth texture

LEED® WELL™ LBC

UP TO 25% RECYCLED CONTENT

For LEED contribution contact TechLine

- energy management
- construction waste mgmt
- regional materials
- design for flexibility
- EPD
- recyclable/producer resp.
- biobased materials
- recycled content
- sourcing of raw materials
- material ingredient reporting
- low emitting materials
- lighting quality
- acoustics

LOCATION DEPENDENT

WITH INFILL PANEL

### ACCESSORIES

	Item No. ♦	Description	Pieces/ Carton	Finish Selection
Splice Plates	8159	2" Panel Splice	50	N/A
	5495	4" Panel Splice	50	N/A
	7163	6" Panel Splice	50	N/A
	5496	8" Panel Splice	50	N/A
	8138_ _ _ _ _	2" End Cap	50	WH, SG, MY, BL2 and all Effects Wood Looks
End Caps	5581_ _ _ _ _	4" End Cap	50	WH, SG, MY, BL2 and all Effects Wood Looks
	7162_ _ _ _ _	6" End Cap	50	WH, SG, MY, BL2 and all Effects Wood Looks
	5582_ _ _ _ _	8" End Cap	50	WH, SG, MY, BL2 and all Effects Wood Looks
	8139_ _ _ _ _	10" End Cap	50	WH, SG, MY, BL2 and all Effects Wood Looks
	5583_ _ _ _ _	12" End Cap	50	WH, SG, MY, BL2 and all Effects Wood Looks

♦ When specifying or ordering, include the appropriate 4- or 5-letter color suffix (e.g., 5583 E X C H, 5583 E X C H 2).

### PHYSICAL DATA

**Material**  
Electrogalvanized Steel – thickness 0.028"

**Surface Finish**  
Available in White, Silver Grey, Gun Metal Grey, Tech Black, and Effects™ Wood Looks powder-coated, post-production finishes. Natural Reflections finishes and other colors are available as custom. Contact ASQuote@armstrongceilings.

**Edge Detail**  
Square with extended flange. To create contrast visual, flange is covered with 1-1/4" Black Contrast Filler Strip Item 5494.

**Fire Performance**  
Class A: ASTM E84 and CAN/ULC S102.  
Flame Spread Index 25 or less. Smoke Developed Index 50 or less.

**ASTM E1264 Classification**  
Fire Class – Class A  
Unperforated – Type XX, Pattern G  
Perforated – Type XX, Pattern C

**Design Considerations**  
While we strive to ensure exact color matches, various factors such as differences in materials and painting processes can affect how colors appear on ceiling and wall panels, suspension systems, and trim products. Due to these and other differences, items with the same finish name will coordinate but may not be an exact color match.

**Seismic Restraint**  
MetalWorks Linear panels have been engineered, tested, and approved for application in all seismic areas when installed per Armstrong Ceilings installation instructions.

**Wind Uplift Performance**  
All panels tested for wind uplift Classes 30, 60, and 90. Specific installation recommendations to meet these wind classes are available. There is no acoustical fleece on exterior panels. For more information, contact TechLine at 1 877 276 7876.

**FAST134 Program Considerations**  
Size of Job Matters: Big jobs, over 2500 SF or 50 pieces for shapes/vertical elements will have longer lead times.  
Location Matters: Transit time not included. We are ready to ship in 1 week on FAST1 items. However, transit to the states west of Wyoming may add time.

**Distributor Truck Schedule Matters:** We rely on distribution to help move products around the country. When speed matters, work with your local distributor to ensure FAST134 service.

**Stock vs Made-to-Order Matters:** FAST3 & FAST4 items are made-to-order and will ship direct to distributor. FAST1 (stocked items) will go through distribution and depend on distributor truck schedules.

**Cleaning and Disinfecting**  
Cleaning and CDC approved disinfecting options available on [armstrongceilings.com/cleaning](http://armstrongceilings.com/cleaning)

**Warranty**  
Details at [armstrongceilings.com/warranty](http://armstrongceilings.com/warranty)

**Weight; Square Feet/Carton**  
8120 – 1.61 lbs/SF; 24 pcs/ctn or 192 LF/ctn; 32.00 SF/ctn  
5490 – 51.61 lbs/SF; 16 pcs/ctn or 128 LF/ctn; 42.66 SF/ctn  
7160 – 1.61 lbs/SF; 12 pcs/ctn or 96 LF/ctn; 48.00 SF/ctn  
5491 – 1.61 lbs/SF; 10 pcs/ctn or 80 LF/ctn; 53.33 SF/ctn  
8122 – 1.61 lbs/SF; 8 pcs/ctn or 64 LF/ctn; 53.33 SF/ctn  
5570 – 1.61 lbs/SF; 6 pcs/ctn or 48 LF/ctn; 48.00 SF/ctn  
8121 – 1.61 lbs/SF; 24 pcs/ctn or 192 LF/ctn; 32 SF/ctn  
5492 – 1.61 lbs/SF; 16 pcs/ctn or 128 LF/ctn; 42.66 SF/ctn  
7161 – 1.61 lbs/SF; 12 pcs/ctn or 96 LF/ctn; 48.00 SF/ctn  
5493 – 1.61 lbs/SF; 10 pcs/ctn or 80 LF/ctn; 53.33 SF/ctn  
8123 – 1.61 lbs/SF; 8 pcs/ctn or 64 LF/ctn; 53.33 SF/ctn  
5571 – 1.61 lbs/SF; 6 pcs/ctn or 48 LF/ctn; 48.00 SF/ctn

