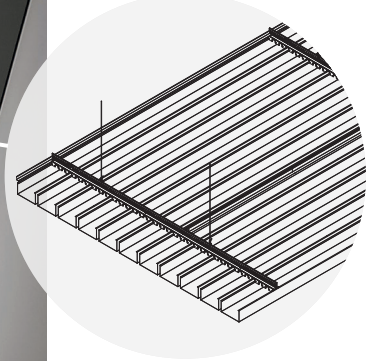


METALWORKS™ Linear – Diverge®

smooth texture



CAD/Revit® drawings at:
armstrongceilings.com/cadrevit



plus capabilities
 to do more



MetalWorks Linear - Diverge planks pattern MWLD 08 in Effects Poppy Seed and Gun Metal Grey

armstrongceilings.com/capabilities
 See more photos at:
armstrongceilings.com/photogallery

Dimensional metal planks deliver an upscale, open reveal visual with countless configuration possibilities.

KEY SELECTION ATTRIBUTES

- New Main Beam Carrier 2 (item 7277BL) for use with two unique systems: Linear – Synchro™ and Linear – Diverge®
- Nominal 2", 4", 6", 9", 11", and 13" wide planks with 1", 2", 3", or 4" depths, available in four standard metal finishes and 17 Effects™ finishes
- Discontinuous ceilings possible with Axiom® trim or coordinating Effects trim using the Adjustable Trim Clip
- Mix and match various plank widths and depths in the same installation to add drama with dimension to interiors
- CleanAssure™ family of products – includes disinfectable planks, suspension systems, and trim
- Planks and suspension system tested and approved for seismic areas per ASTM E580, AC 156 Acceptance Criteria for Seismic Qualification Testing of Non-structural Components, and ASTM 3118
- Integrated downlighting solutions from USAI® sit perfectly flush with the plank face for a sleek visual and can be supported by linear suspension system
- new** • Field-cut linear lighting options from Axis, Backlight, and XAL tested for fit and finish provide a flush, sleek visual
- Achieve high sound absorption for increased acoustical performance with microperforated planks – 0.70 NRC
- Integrate with pre-engineered Axiom Indirect Field Light Covers for Specialty Ceilings to achieve predictable lighting performance



*Seamlessly
 integrate linear
 light fixtures!*

METALWORKS™ Linear – Diverge®

smooth texture

LEED WELL | LBC

58% RECYCLED CONTENT

For LEED contribution contact TechLine

energy management	construction waste mgmt	regional materials	design for flexibility	EPD	recyclable/producer resp.	biobased materials	recycled content	sourcing of raw materials	material ingredient reporting	low emitting materials	lighting quality	acoustics
											WHITE ONLY	WITH INFILL PANEL

LOCATION DEPENDENT



MetalWorks™ Linear – Diverge® 4" x 1" and 6" x 1" planks in White

STANDARD COLORS & FINISHES

Due to printing limitations, shade may vary from actual product.

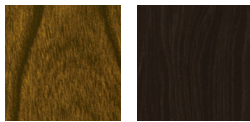
MetalWorks™ (Interior only)



Effects™ Classic Dye-Sublimation



Effects Cherry (FXCH) Effects Dark Cherry (FXDC) Effects Oak (FXOK)



Effects Walnut (FXWN) Effects Walnut Espresso (FXWE)

new Effects™ Bold Dye-Sublimation



Effects Sea Salt (FXSS) Effects Ginger (FXGR) Effects Nutmeg (FXNM)



Effects Poppy Seed (FXPS) Effects Peppercorn (FXPC) Effects Almond (FXAL)

new Effects™ Subtle Dye-Sublimation



Effects Sesame (FXSE) Effects Macadamia (FXMA) Effects Cinnamon (FXCM)



Effects Flax (FXFL) Effects Cocoa Bean (FXCB) Effects Coriander (FXCO)

CUSTOM COLORS & FINISHES

Due to printing limitations, shade may vary from actual product.



Custom Colors Available

Custom Wood-look Finishes Available

For custom options contact ASQuote, ASQuote@armstrongceilings.com

PERFORATION OPTIONS (1:2 scale shown)



M1 (Unperforated)

M2 (Microperforated)



METALWORKS™ Linear – Diverge®

smooth texture

LEED WELL LBC

58% RECYCLED CONTENT

For LEED contribution contact TechLine

energy management
 construction waste mgmt
 regional materials
 design for flexibility
 EPD
 recyclable/extended producer resp.

biobased materials
 recycled content
 sourcing of raw materials
 material ingredient reporting
 low emitting materials
 lighting quality
 acoustics

LOCATION DEPENDENT

WHITE ONLY
WITH INFILL PANEL

VISUAL SELECTION

Item No. ♦	Description	Dimensions Nominal W x L x D (Inches) Custom Sizes Available	Module Width* (Inches)
8222A21	2" wide, 1" depth plank	2 × 96 × 1"	2.25"
8222A22	2" wide, 2" depth plank	2 × 96 × 2"	2.25"
8222A23	2" wide, 3" depth plank	2 × 96 × 3"	2.25"
8222A24	2" wide, 4" depth plank	2 × 96 × 4"	2.25"
8222A41	4" wide, 1" depth plank	4 × 96 × 1"	4.50"
8222A42	4" wide, 2" depth plank	4 × 96 × 2"	4.50"
8222A43	4" wide, 3" depth plank	4 × 96 × 3"	4.50"
8222A44	4" wide, 4" depth plank	4 × 96 × 4"	4.50"
8222A61	6" wide, 1" depth plank	6 × 96 × 1"	6.75"
8222A62	6" wide, 2" depth plank	6 × 96 × 2"	6.75"
8222A63	6" wide, 3" depth plank	6 × 96 × 3"	6.75"
8222A64	6" wide, 4" depth plank	6 × 96 × 4"	6.75"
8222A91	9" wide, 1" depth plank	9 × 96 × 1"	9.00"
8222A92	9" wide, 2" depth plank	9 × 96 × 2"	9.00"
8222A93	9" wide, 3" depth plank	9 × 96 × 3"	9.00"
8222AB1	11" wide, 1" depth plank	11 × 96 × 1"	11.25"
8222AB2	11" wide, 2" depth plank	11 × 96 × 2"	11.25"
8222AD1	13" wide, 1" depth plank	13 × 96 × 1"	13.50"
8222AD2	13" wide, 2" depth plank	13 × 96 × 2"	13.50"

PERFORMANCE

Dots represent high level of performance.

Fire Performance	Light Reflect (M1 White only)	CleanAssure™ Disinfectable Planks					DURABILITY					Acoustics (M2 Perf only)
		Fog	Spray	Wipe	Wash	Scrub	Impact	Scratch	Soil	Acoustics		
Class A	0.83	*	*	*	*	*	*	*	*	*	*	0.70
Class A	0.83	*	*	*	*	*	*	*	*	*	*	0.70
Class A	0.83	*	*	*	*	*	*	*	*	*	*	0.70
Class A	0.83	*	*	*	*	*	*	*	*	*	*	0.70
Class A	0.83	*	*	*	*	*	*	*	*	*	*	0.70
Class A	0.83	*	*	*	*	*	*	*	*	*	*	0.70
Class A	0.83	*	*	*	*	*	*	*	*	*	*	0.70
Class A	0.83	*	*	*	*	*	*	*	*	*	*	0.70
Class A	0.83	*	*	*	*	*	*	*	*	*	*	0.70
Class A	0.83	*	*	*	*	*	*	*	*	*	*	0.70
Class A	0.83	*	*	*	*	*	*	*	*	*	*	0.70
Class A	0.83	*	*	*	*	*	*	*	*	*	*	0.70
Class A	0.83	*	*	*	*	*	*	*	*	*	*	0.70
Class A	0.83	*	*	*	*	*	*	*	*	*	*	0.70
Class A	0.83	*	*	*	*	*	*	*	*	*	*	0.70
Class A	0.83	*	*	*	*	*	*	*	*	*	*	0.70
Class A	0.83	*	*	*	*	*	*	*	*	*	*	0.70
Class A	0.83	*	*	*	*	*	*	*	*	*	*	0.70
Class A	0.83	*	*	*	*	*	*	*	*	*	*	0.70
Class A	0.83	*	*	*	*	*	*	*	*	*	*	0.70
Class A	0.83	*	*	*	*	*	*	*	*	*	*	0.70
Class A	0.83	*	*	*	*	*	*	*	*	*	*	0.70

♦ When specifying or ordering, include the appropriate 2-letter perforation suffix and 2- or 4-letter color suffix (e.g. 8222A21M2 S G, 8222A21M1 E X G H).
 * Module width for each plank size will remain the same, regardless of plank depth or perforation.



METALWORKS™ Linear – Diverge®

smooth texture

LEED® WELL | LBC

58% RECYCLED CONTENT

For LEED contribution contact TechLine

- energy management
- construction waste mgmt
- regional materials
- design for flexibility
- EPD
- recyclable/curable producer resp.
- biobased materials
- recycled content
- sourcing of raw materials
- material ingredient reporting
- low emitting materials
- lighting quality
- acoustics

LOCATION DEPENDENT

WHITE ONLY WITH INFILL PANEL

SUSPENSION SYSTEM & ACCESSORIES

	Item No. ♦	Description	Dimensions (Inches) Nominal W x L x H	Color	Pieces/Carton
Suspension Systems	7277BL	Main Beam Carrier 2 (MBC2) – Black	144 × 1-3/4 × 2-3/4"	BL	10
	XL8945PG90BL	FrameAll™ 4' G90 Cross Tee	48 × 1-1/2 × 1-1/2"	BL	36
	XL8926G90BL	FrameAll 2' G90 Cross Tee	24 × 1-1/2 × 1-1/2"	BL	36
Wall-to-Wall Installations	BERC2BL	Beam End Retaining Clip	N/A	BL	200
	7800 _ _ _ _	Hemmed Angle Molding	144 × 7/8 × 7/8"	WH, BL	30
	GCWABL	GCWA Clip	N/A	BL	200
Floating Cloud Installations	AX6VESTR_ _	Axiom® Vector Trim – 6" Straight	3/4 × 120 × 6"	WH, SG, MY, BL*	N/A
	AX6VECUR_ _	Axiom® Vector Trim – 6" Curved	3/4 × 120 × 6"	WH, SG, MY, BL*	N/A
	AX6STR_ _ _ _	Axiom Classic Trim – 6" Straight	3/4 × 120 × 6"	WH, SG, MY, BL*	N/A
	AX6CUR_ _ _ _	Axiom Classic Trim – 6" Curved	3/4 × 120 × 6"	WH, SG, MY, BL*	N/A
	7239	Adjustable Trim Clip	N/A	N/A	60
	5344 _ _ _ _	4" Effects™ Wood Looks Trim	Nominal 120" length	All Effects Wood Looks	6
	5346_ _ _ _	6" Effects Wood Looks Trim	Nominal 120" length	All Effects Wood Looks	6
Other Accessories	5494S2BL	Contrast Filler Strip – Black	96 × 1/4 × 1/16"	N/A	200
	XTACAGBL	Cross Tee Adapter Clip	N/A	BL	250

♦ Add the 2-digit color suffix to the item number when specifying or ordering (e.g. AX6STR S G), add an extra digit "3" before the color suffix if paint is required inside and outside of trim (e.g. AX6STR 3 S G).
 * Items with the same finish name will coordinate but may not be an exact color match.
 NOTE: Please contact ASQuote or ASOrder@armstrongceilings.com for this system.



METALWORKS™ – Standard

METALWORKS™ Linear – Diverge®

smooth texture

LEED WELL | LBC

58% RECYCLED CONTENT

For LEED contribution contact TechLine

- energy management
- construction waste mgmt
- regional materials
- design for flexibility
- EPD
- recyclable/extended producer resp.
- biobased materials
- recycled content
- sourcing of raw materials
- material ingredient reporting
- low emitting materials
- lighting quality
- acoustics

LOCATION DEPENDENT

WHITE ONLY WITH INFILL PANEL

ACCESSORIES

	Item No. ♦	Description	Finish Selection	Pieces/ Carton
Splice Plates	8242A21	2" x 1" Splice Plate	N/A	10
	8242A22	2" x 2" Splice Plate	N/A	10
	8242A23	2" x 3" Splice Plate	N/A	10
	8242A24	2" x 4" Splice Plate	N/A	10
	8242A41	4" x 1" Splice Plate	N/A	10
	8242A42	4" x 2" Splice Plate	N/A	10
	8242A43	4" x 3" Splice Plate	N/A	10
	8242A44	4" x 4" Splice Plate	N/A	10
	8242A61	6" x 1" Splice Plate	N/A	10
	8242A62	6" x 2" Splice Plate	N/A	10
	8242A63	6" x 3" Splice Plate	N/A	10
	8242A64	6" x 4" Splice Plate	N/A	10
	8242A91	9" x 1" Splice Plate	N/A	10
	8242A92	9" x 2" Splice Plate	N/A	10
	8242A93	9" x 3" Splice Plate	N/A	10
End Caps	8232A21M1_ _ _ _	2" x 1" End Cap	WH, SG, MY, BL, and all Effects™ Wood Looks	10
	8232A22M1_ _ _ _	2" x 2" End Cap	WH, SG, MY, BL, and all Effects Wood Looks	10
	8232A23M1_ _ _ _	2" x 3" End Cap	WH, SG, MY, BL, and all Effects Wood Looks	10
	8232A24M1_ _ _ _	2" x 4" End Cap	WH, SG, MY, BL, and all Effects Wood Looks	10
	8232A41M1_ _ _ _	4" x 1" End Cap	WH, SG, MY, BL, and all Effects Wood Looks	10
	8232A42M1_ _ _ _	4" x 2" End Cap	WH, SG, MY, BL, and all Effects Wood Looks	10
	8232A43M1_ _ _ _	4" x 3" End Cap	WH, SG, MY, BL, and all Effects Wood Looks	10
	8232A44M1_ _ _ _	4" x 4" End Cap	WH, SG, MY, BL, and all Effects Wood Looks	10
	8232A61M1_ _ _ _	6" x 1" End Cap	WH, SG, MY, BL, and all Effects Wood Looks	10
	8232A62M1_ _ _ _	6" x 2" End Cap	WH, SG, MY, BL, and all Effects Wood Looks	10
	8232A63M1_ _ _ _	6" x 3" End Cap	WH, SG, MY, BL, and all Effects Wood Looks	10
	8232A64M1_ _ _ _	6" x 4" End Cap	WH, SG, MY, BL, and all Effects Wood Looks	10
	8232A91M1_ _ _ _	9" x 1" End Cap	WH, SG, MY, BL, and all Effects Wood Looks	10
	8232A92M1_ _ _ _	9" x 2" End Cap	WH, SG, MY, BL, and all Effects Wood Looks	10
	8232A93M1_ _ _ _	9" x 3" End Cap	WH, SG, MY, BL, and all Effects Wood Looks	10
	8232AB1M1_ _ _ _	11" x 1" End Cap	WH, SG, MY, BL, and all Effects Wood Looks	10
	8232AB2M1_ _ _ _	11" x 2" End Cap	WH, SG, MY, BL, and all Effects Wood Looks	10
	8232AD1M1_ _ _ _	13" x 1" End Cap	WH, SG, MY, BL, and all Effects Wood Looks	10
8232AD2M1_ _ _ _	13" x 2" End Cap	WH, SG, MY, BL, and all Effects Wood Looks	10	

♦ When specifying or ordering, include the appropriate 2- or 4-letter color suffix (e.g., 8232AD1M1 SG, 8232AD1M2 FXCH).



METALWORKS™ – Standard

METALWORKS™ Linear – Diverge®

smooth texture

LEED® WELL | LBC

58% RECYCLED CONTENT

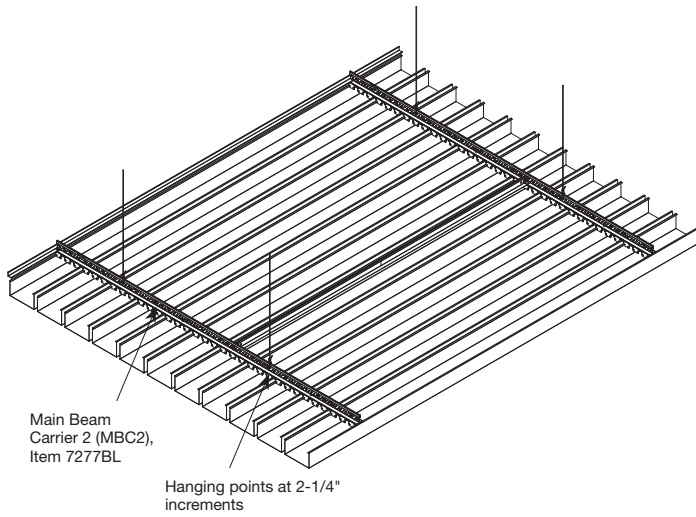
For LEED contribution contact TechLine

energy management	construction waste mgmt	regional materials	design for flexibility	EPD	recyclable/repairable producer resp.	biobased materials	recycled content	sourcing of raw materials	material ingredient reporting	low emitting/ materials	lighting quality	acoustics

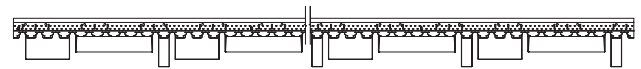
LOCATION DEPENDENT

WHITE ONLY WITH INFILL PANEL

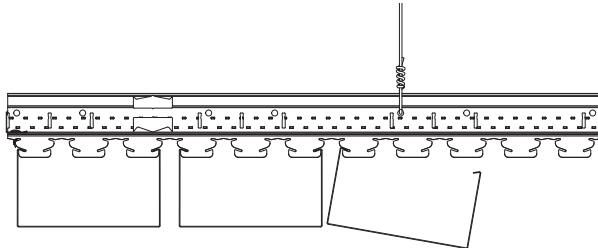
INSTALLATION DETAILS – CEILINGS



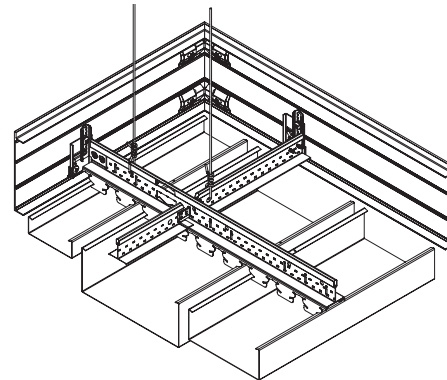
MBC2 Carrier for Diverge® installed 48" O.C.



Varying Diverge plank widths on MBC2 in a pattern of 2", 6", and 11"



Diverge Planks snap into lower hooks of MBC2 carrier



MetalWorks Linear - Diverge Discontinuous Ceiling with Axiom® Vector (Inverted) - 6"

PHYSICAL DATA

Material
ElectroGalvanized Steel – thickness 0.028"

Surface Finish
Available in White, Silver Grey, Gun Metal Grey, Tech Black, and Effects™ Wood Looks powder-coated, post-production finishes. Natural Reflections finishes and other colors are available as custom. Contact ASQuote@armstrongceilings.com for custom requests.

Plank Reveal
There is a 3/4" reveal between MetalWorks Linear – Diverge planks providing an open reveal dynamic visual.

Fire Performance
Class A: ASTM E84 and CAN/ULC S102.
Flame Spread Index 25 or less. Smoke Developed Index 50 or less.

Design Considerations
While we strive to ensure exact color matches, various factors such as differences in materials and painting processes can affect how colors appear on ceiling and wall panels, suspension systems, and trim products. Due to these and other differences, items with the same finish name will coordinate but may not be an exact color match.

ASTM E1264 Classification
Fire Class – Class A
Unperforated – Type XX, Form 2, Pattern G
Perforated – Type XX, Form 2, Pattern C

Seismic Restraint
MetalWorks Linear – Diverge planks have been engineered, tested, and approved for application in all seismic areas when installed per Armstrong Ceilings installation instructions. When installed properly, both panels and suspension have been tested to stay in place through vibrations and other seismic events.

Cleaning and Disinfecting
Cleaning and CDC approved disinfecting options available on armstrongceilings.com/cleaning

Warranty
Details at armstrongceilings.com/warranty

Weight; Plank Width SF/Ctn; Module Width SF/Ctn

8222A21	– 3.3 lbs/Pc;	16 pcs/ctn;	16 SF/ctn;	24 SF/ctn
8222A22	– 4.7 lbs/Pc;	8 pcs/ctn;	8 SF/ctn;	12 SF/ctn
8222A23	– 6.1 lbs/Pc;	8 pcs/ctn;	8 SF/ctn;	12 SF/ctn
8222A41	– 4.8 lbs/Pc;	8 pcs/ctn;	20 SF/ctn;	24 SF/ctn
8222A42	– 6.3 lbs/Pc;	8 pcs/ctn;	20 SF/ctn;	24 SF/ctn
8222A43	– 7.8 lbs/Pc;	6 pcs/ctn;	15 SF/ctn;	18 SF/ctn
8222A44	– 9.3 lbs/Pc;	6 pcs/ctn;	15 SF/ctn;	18 SF/ctn
8222A61	– 6.5 lbs/Pc;	8 pcs/ctn;	32 SF/ctn;	36 SF/ctn
8222A62	– 8.1 lbs/Pc;	6 pcs/ctn;	24 SF/ctn;	27 SF/ctn
8222A63	– 9.4 lbs/Pc;	4 pcs/ctn;	16 SF/ctn;	18 SF/ctn
8222A64	– 10.4 lbs/Pc;	4 pcs/ctn;	16 SF/ctn;	18 SF/ctn
8222A91	– 8 lbs/Pc;	6 pcs/ctn;	33 SF/ctn;	36 SF/ctn
8222A92	– 9.2 lbs/Pc;	6 pcs/ctn;	33 SF/ctn;	36 SF/ctn
8222A93	– 10.3 lbs/Pc;	4 pcs/ctn;	22 SF/ctn;	24 SF/ctn
8222AB1	– 9.3 lbs/Pc;	4 pcs/ctn;	28 SF/ctn;	30 SF/ctn
8222AB2	– 11.1 lbs/Pc;	4 pcs/ctn;	28 SF/ctn;	30 SF/ctn
8222AD1	– 10.8 lbs/Pc;	4 pcs/ctn;	34 SF/ctn;	36 SF/ctn
8222AD2	– 12.6 lbs/Pc;	4 pcs/ctn;	34 SF/ctn;	36 SF/ctn



LIGHTING SOLUTIONS METALWORKS™ Linear – Diverge®

Linear Lighting



MetalWorks Linear – Diverge with linear light fixture

Seamlessly integrate linear light fixtures from Axis, Backlight, and XAL with MetalWorks™ Linear – Diverge® planks. Two light fixture installation methods to support project needs - either remove a plank and replace with light fixture or field cut planks to fit fixture housing within.

KEY SELECTION ATTRIBUTES

- Install lights seamlessly for MetalWorks Linear – Diverge ceiling planks
- Low-profile, pre-engineered light fixtures from Axis, Backlight, and XAL coordinate with Diverge plank widths and depths
- Approved for use in all seismic categories

DESIGN CONSIDERATIONS

- Two light fixture installation methods:
 - Light completely replaces Diverge plank
 - Cut Diverge plank face and house linear light fixture within
- Lights must be independently supported
- When replacing Diverge plank with light fixture, there will be a slight reveal on both sides of the light (see charts below)
- If using cut plank installation method for light fixture, it is recommended to center the light within the face of the panel, regardless of the panel size
- Coordination between ceiling contractor and electrician is required for installation

METALWORKS LINEAR – DIVERGE LIGHTING INSTALLATION METHODS

Two different installation methods to integrate linear lighting into MetalWorks Linear – Diverge ceiling systems to tailor to project and design needs:

- Option 1: Replacing a Linear – Diverge plank with a linear light
- Option 2: Cutting Linear – Diverge plank face and housing light fixture within plank

For both options, consult the Installation Details charts to identify the number of hooks to cut based on the coordinating light fixtures.

LIGHTING SOLUTIONS
METALWORKS™ Linear – Diverge®
 Linear Lighting

COMPATIBLE LIGHTS The following charts represent the compatible lights with the two installation methods

	Plank Width	Plank Depth	BEAM-2	BEAM-2 Square	BEAM-4	Stencil™	Sculpt	ZEN Square
Axis Option #1	2"	1"	N/A	N/A	N/A	-	N/A	N/A
		2"	N/A	-	N/A	-	-	N/A
		3"	-	-	N/A	-	-	N/A
		4"	-	-	N/A	-	-	N/A
	4"	1"	N/A	N/A	N/A	-	N/A	N/A
		2"	N/A	-	N/A	-	-	N/A
		3"	-	-	-	-	-	-
		4"	-	-	-	-	-	-
	6"	1"	N/A	N/A	N/A	-	N/A	N/A
		2"	N/A	-	N/A	-	-	N/A
		3"	-	-	-	-	-	-
		4"	-	-	-	-	-	-
	9"	1"	N/A	N/A	N/A	-	N/A	N/A
		2"	N/A	-	N/A	-	-	N/A
		3"	-	-	-	-	-	-
	11"	1"	N/A	N/A	N/A	-	N/A	N/A
2"		N/A	-	N/A	-	-	N/A	
13"	1"	N/A	N/A	N/A	-	N/A	N/A	
	2"	N/A	-	N/A	-	-	N/A	
Axis Option #2	2"	1"	N/A	N/A	N/A	N/A	N/A	N/A
		2"	N/A	N/A	N/A	N/A	N/A	N/A
		3"	N/A	N/A	N/A	N/A	N/A	N/A
		4"	N/A	N/A	N/A	N/A	N/A	N/A
	4"	1"	N/A	N/A	N/A	N/A	N/A	N/A
		2"	N/A	N/A	N/A	N/A	N/A	N/A
		3"	N/A	N/A	N/A	N/A	N/A	N/A
		4"	N/A	N/A	N/A	N/A	N/A	N/A
	6"	1"	N/A	N/A	N/A	-	N/A	N/A
		2"	N/A	-	N/A	-	-	N/A
		3"	-	-	N/A	-	-	N/A
		4"	-	-	N/A	-	-	N/A
	9"	1"	N/A	N/A	N/A	-	N/A	N/A
		2"	N/A	-	N/A	-	-	N/A
		3"	-	-	-	-	-	-
	11"	1"	N/A	N/A	N/A	-	N/A	N/A
		2"	N/A	-	N/A	-	-	N/A
	13"	1"	N/A	N/A	N/A	-	N/A	N/A
		2"	N/A	-	N/A	-	-	N/A



LIGHTING SOLUTIONS

METALWORKS™ Linear – Diverge®

Linear Lighting

COMPATIBLE LIGHTS (continued) The following charts represent the compatible lights with the two installation methods

	Plank Width	CHIARO-2	CHIARO-3.25	CHIARO-5.25
Backlight Option #1	2"	-	N/A	N/A
	4"	-	-	N/A
	6"	-	-	-
	9"	-	-	-
	11"	-	-	-
	13"	-	-	-
Backlight Option #2	2"	N/A	N/A	N/A
	4"	N/A	N/A	N/A
	6"	-	-	N/A
	9"	-	-	-
	11"	-	-	-
	13"	-	-	-

	Plank Width	Plank Depth	BASO 1.5	BASO 2.5	BASO 4.0	PANO-2	PANO-3.25	PANO-5.25
XAL Option #1	2"	1"	N/A	N/A	N/A	-	N/A	N/A
		2"	N/A	N/A	N/A	-	N/A	N/A
		3"	-	-	N/A	-	N/A	N/A
		4"	-	-	N/A	-	N/A	N/A
	4"	1"	N/A	N/A	N/A	-	-	-
		2"	N/A	N/A	N/A	-	-	-
		3"	-	-	-	-	-	-
		4"	-	-	-	-	-	-
	6"	1"	N/A	N/A	N/A	-	-	-
		2"	N/A	N/A	N/A	-	-	-
		3"	-	-	-	-	-	-
		4"	-	-	-	-	-	-
	9"	1"	N/A	N/A	N/A	-	-	-
		2"	N/A	N/A	N/A	-	-	-
		3"	-	-	-	-	-	-
	11"	1"	N/A	N/A	N/A	-	-	-
		2"	-	-	-	-	-	-
	13"	1"	N/A	N/A	N/A	-	-	-
		2"	-	-	-	-	-	-
	XAL Option #2	2"	All	N/A	N/A	N/A	N/A	N/A
4"		All	N/A	N/A	N/A	N/A	N/A	N/A
6"		1"	N/A	N/A	N/A	-	N/A	N/A
		2"	N/A	N/A	N/A	-	N/A	N/A
		3"	-	-	N/A	-	N/A	N/A
		4"	-	-	N/A	-	N/A	N/A
9"		1"	N/A	N/A	N/A	-	N/A	N/A
		2"	N/A	-	N/A	-	-	N/A
		3"	-	-	-	-	-	-
11"		1"	N/A	N/A	N/A	-	-	-
		2"	-	-	-	-	-	-
13"		1"	N/A	N/A	N/A	-	-	-
		2"	-	-	-	-	-	-

NRC
+
CAC

DEF



METALWORKS™ – Standard

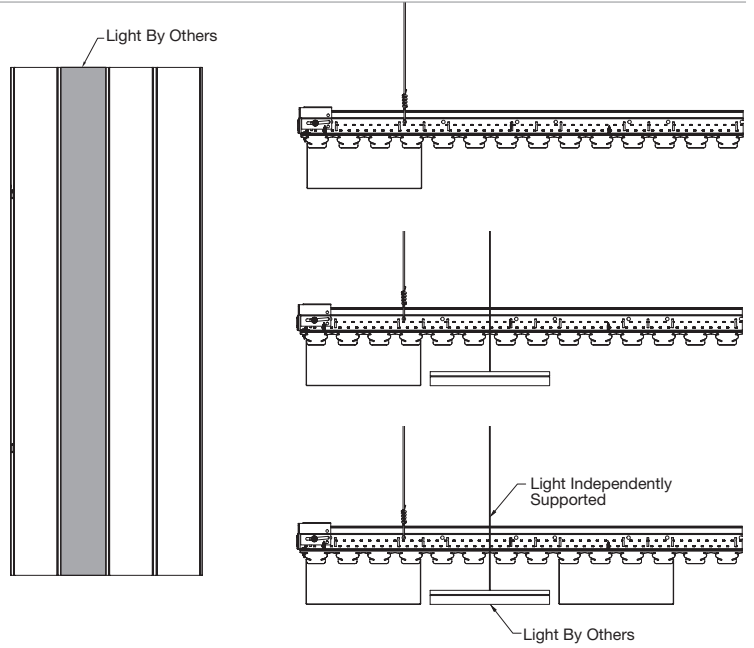
LIGHTING SOLUTIONS

METALWORKS™ Linear – Diverge®

Linear Lighting

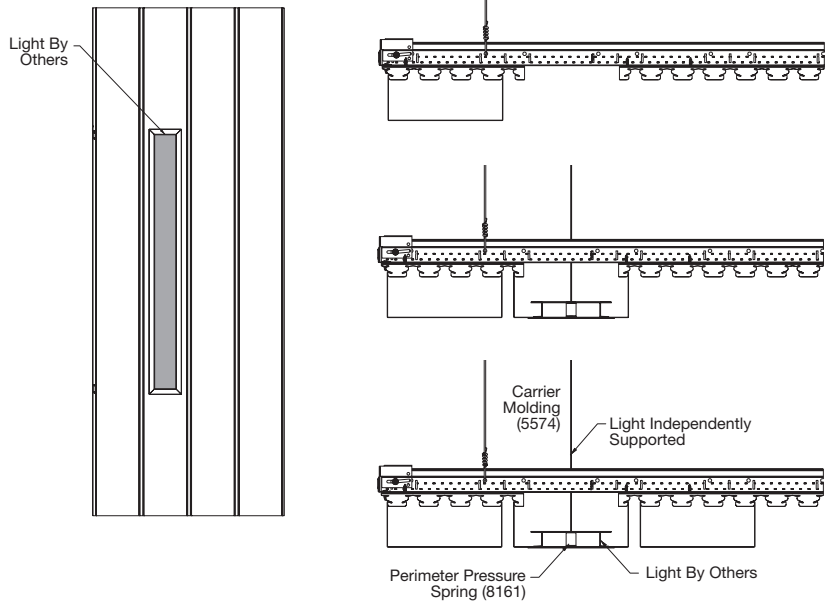
INSTALLATION DETAILS – OPTION 1

Axis	BEAM-2	BEAM-2 Square	BEAM-4
Hooks Removed	1	1	2
Equal Reveal on either side of light	0.276"	0.276"	0.535"
	Stencil™	Sculpt	ZEN Square
Hooks Removed	1	1	2
Equal Reveal on either side of light	0.432"	0.776"	0.691"
Backlight	CHIARO-2	CHIARO-3.25	CHIARO-5.25
Hooks Removed	1	2	2
Equal Reveal on either side of light	0.526"	1.035"	0.035"
XAL	BASO 1.5	BASO 2.5	BASO 4.0
Hooks Removed	1	1	2
Equal Reveal on either side of light	0.682"	0.339"	0.973"
	PANO-2	PANO-3.25	PANO-5.25
Hooks Removed	1	2	2
Equal Reveal on either side of light	0.526"	1.035"	0.035"



INSTALLATION DETAILS – OPTION 2

Axis	BEAM-2	BEAM-2 Square	BEAM-4
Hooks Removed	1	1	2
	Stencil	Sculpt	ZEN Square
	1	1	2
Backlight	CHIARO-2	CHIARO-3.25	CHIARO-5.25
Hooks Removed	1	2	2
XAL	BASO 1.5	BASO 2.5	BASO 4.0
Hooks Removed	1	1	2
	PANO-2	PANO-3.25	PANO-5.25
	1	2	2



LIGHTING FIXTURES

Compatible with Backlight CHIARO light fixtures, Axis Beam, Stencil, Sculpt, & ZEN Square fixtures, and XAL Pano and Baso light fixtures.



For detailed lighting information, contact your local Backlight srl, XAL, or Axis representative.