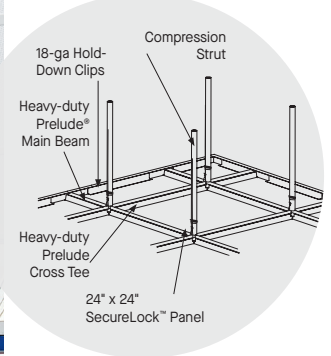


# METALWORKS™ SecureLock™

Lay-in  
smooth texture



CAD/Revit® drawings at:  
[armstrongceilings.com/cadrevit](http://armstrongceilings.com/cadrevit)



MetalWorks™ SecureLock™ 24" x 24" panel with P4 perforation in White

Tamper-resistant ceiling system from 18-gauge galvanized steel panels.

## KEY SELECTION ATTRIBUTES

### SecureLock™ Lay-in

- Point-load tested to withstand up to 850 lbs, and a minimum of 430 lbs
- Concealed locking
- Installs on a heavy-duty Prelude® XL® suspension system
- Protection against contraband concealment
- 18-gauge electrogalvanized steel

## TYPICAL APPLICATIONS

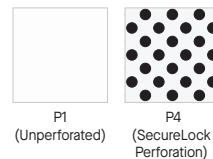
- Correctional facilities
- Judicial facilities/courthouses
- Non-accessible areas
- Healthcare - psychiatric and juvenile wards
- Transportation
- Maximum security areas

**COLORS** Due to printing limitations, shade may vary from actual product.

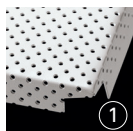


\* Premium finish options

**PERFORATION OPTIONS** (1:2 scale shown)



## DETAILS



1. MetalWorks™ SecureLock™ Perforated

# METALWORKS™ SecureLock™

Lay-in  
smooth texture

**LEED® WELL™ LBC**

UP TO **31% RECYCLED CONTENT**

For LEED contribution contact TechLine

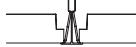
- energy management
- construction waste mgmt
- regional materials
- design for flexibility
- EPD
- recyclable/producer resp.
- biobased materials
- recycled content
- sourcing of low materials
- material ingredient reporting
- low emitting materials
- lighting quality
- acoustics

LOCATION DEPENDENT

WITH INFILL PANEL

**VISUAL SELECTION** Contact ASOrder@armstrongceilings.com for custom options.

Item No. ♦	Dimensions (Inches) W x L	Perforations
METALWORKS™ SecureLock™ 15/16" Lay-in	24" x 24"	P1, P4



♦ Add 2-letter perforation suffix to item number when specifying or ordering (e.g., 5488 P1 WH).  
NOTE: 24" x 48" custom panels are available by contacting TechLine at 1 877 276-7876.

**PERFORMANCE** Dots represent high level of performance.

Fire Performance	Light Reflect (White only)	DURABILITY			
		Wash	Scrub	Impact	Soil
Class A	0.75 (P1)	•	•	•	•

**ACOUSTICAL INFORMATION**

Perforation	NRC with acoustical fleece	NRC with 1" fiberglass infill †
P1 Unperforated	N/A	N/A
P4 SecureLock Perforation	0.10	0.80

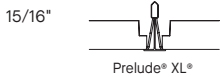
† Maximum NRC achieved with acoustical infill (Item 8200T10).

For infill panel information, visit [armstrongceilings.com/mwaccessories](http://armstrongceilings.com/mwaccessories)

**ACCESSORIES**

Item No.	Description	Dimensions (Inches)	Pieces/Carton
5396	24" x 24" Hold-Down Border Clips – 18-gauge	22-1/8"	Bulk
5594	Compression Strut	60"	Bulk
5596	Security Screws	-	100
5597	Security Screwdriver (to be used with item 5596)	-	1
5598	Tek Screws	-	100
5650WH	C Channel – 18-gauge	120"	Bulk
5398	Access Door – 18-gauge	24 x 24 x 1"	Bulk
5965P1WH	24" x 24" Exit Panel Unperforated	24 x 24 x 1"	8
5965P4WH	24" x 24" Exit Panel Perforated	24 x 24 x 1"	8
8200T10	1" Fiberglass Infill Panel	24 x 24 x 1"	12

**SUSPENSION SYSTEMS**



**PHYSICAL DATA**

**Material**  
Electrogalvanized Steel – thickness 18-gauge

**Surface Finish**  
Factory-applied powder-coated finish (post-coated)

**Fire Performance**  
Class A: ASTM E84 and CAN/ULC S102. Flame Spread Index 25 or less. Smoke Developed Index 50 or less.

Unperforated – Type XX, Pattern G  
Perforated – Type XX, Pattern C

**Design/Installation Considerations**  
Panels installed in correctional facilities are recommended for supervised areas. For detailed impact and point-load test results, contact TechLine at 1 877 276-7876.

**Warranty**  
Details at [armstrongceilings.com/warranty](http://armstrongceilings.com/warranty)

**Weight; Square Feet/Carton**  
5488P1WH – 2.24 lbs/SF; 32 SF/ctn  
5488P4WH – 1.97 lbs/SF; 32 SF/ctn

