

SOUNDSCAPES® Blades

Linear Acoustical Panels – Wood Looks
fine texture



FAST 134
Select Items Ship Fast
armstrongceilings.com/fast134



SoundScapes Blades wood-look wave designs in Vanilla Ash (WVA)

CAD/Revit® drawings at:
armstrongceilings.com/cadrevit



Wall application

SoundScapes® Blades vertical panels achieve acoustical excellence in your space – with versatile ways to install on ceilings and walls.

KEY SELECTION ATTRIBUTES

- new** • Now available in 4 Wood Looks
- Mix standard designs, lengths, and depths for dynamic visuals
- Sound absorption up to 2.05 NRC dependent on blade depth and spacing
- Select products included in the FAST134 program – ready to ship in 4 weeks or less
- new** • Coordinated Prelude® suspension systems and Lyra® PB Wood Looks available
- CleanAssure™ family of products – includes disinfectable panels, suspension systems, and trim
- 20 vertical panel sizes and shapes
- Three installation options for maximum ceiling and wall design flexibility
 - From standard suspension system
 - From individual cable suspension
 - Direct-attach method using Axiom® wall molding
- Mold and mildew-resistant surface
- Linear, upscale visual
- Seismic-tested
- Black embedded hanging clips
- Custom panel options available
- Add scrim to top edge as a premium option
- ASTM E84 Class A Fire Performance

FINISHES

new Standard Wood-look Visuals



Brown Sugar Walnut (WBS) Toffee Chestnut (WTC) Vanilla Ash (WVA) Honey Oak (WHO)

For premium and custom capabilities, contact ASQuote@armstrongceilings.com. Standard, coordinated Prelude® suspension SYSTEMS AVAILABLE FOR WOOD LOOKS



Nature-Inspired Colors Available!

SOUNDSCAPES® Blades

Linear Acoustical Panels – Wood Looks
fine texture

LEED WELL LBC

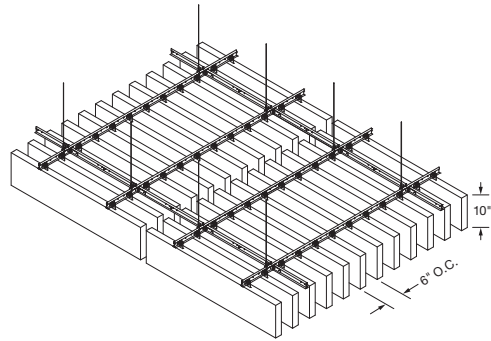
53% RECYCLED CONTENT

For LEED contribution contact TechLine

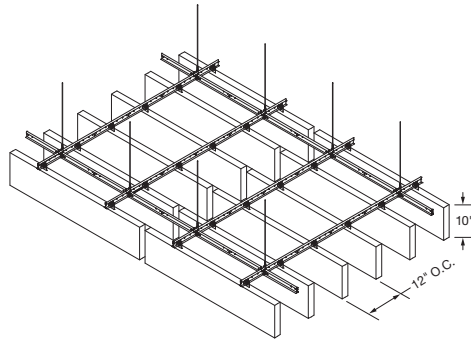
- energy management
- construction waste mgmt
- regional materials
- design for flexibility
- EPD
- recyclable/offer producer resp.
- biobased materials
- recycled content
- sourcing of raw materials
- material ingredient reporting
- low emitting materials
- lighting quality
- acoustics

LOCATION DEPENDENT

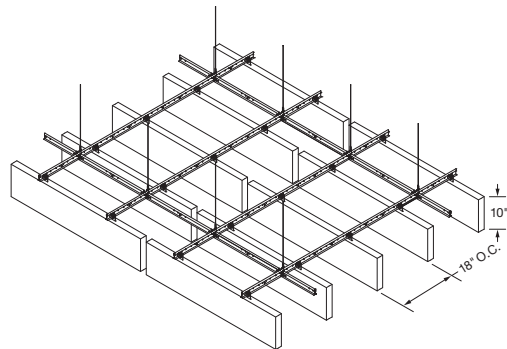
ACOUSTIC INFORMATION



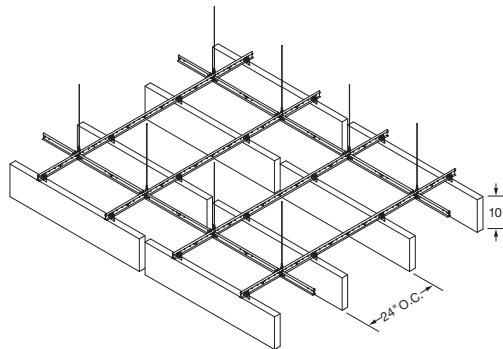
1.15 NRC with 6" O.C.
Blade Spacing



0.80 NRC with 12" O.C.
Blade Spacing



0.60 NRC with 18" O.C.
Blade Spacing

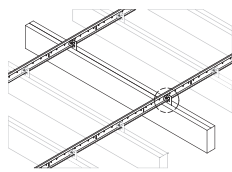


0.50 NRC with 24" O.C.
Blade Spacing

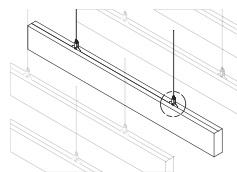
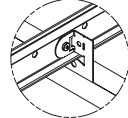
	NRC			
Panel Depth	6" O.C.	12" O.C.	18" O.C.	24" O.C.
5"	0.85	0.60	0.45	0.35
7-1/2"	1.00	0.75	0.60	0.50
10"	1.15	0.95	0.75	0.60
10-1/2"	1.20	1.00	0.80	0.65
16"	1.50	1.25	1.00	0.85
19-1/2"	1.65	1.35	1.15	1.00
22"	1.80	1.45	1.25	1.10
22-1/2"	1.85	1.50	1.30	1.15
28"	2.05	1.70	1.45	1.30

NOTE: Tested per ASTM C423 without infill panels. Spacing of blades, blade depth, and acoustical infill panels will impact acoustical performance. Contact TechLine for a custom reverberation time report at techline@armstrongceilings.com

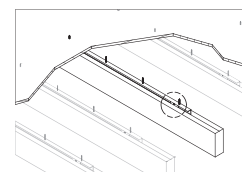
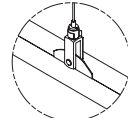
THREE WAYS TO INSTALL



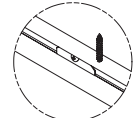
Direct to Grid Suspension System



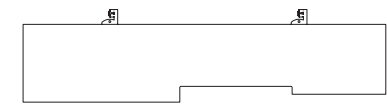
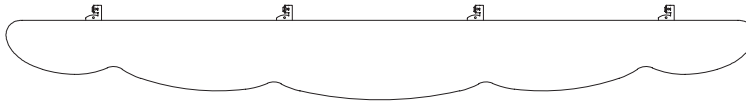
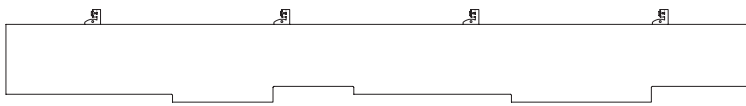
Individual Suspension using Hanging Kit



Direct-attach Method using Axiom® Wall Molding



CUSTOM PANEL DESIGN EXAMPLES



125 Min Radius for all 90° Inside Corners



2.0 Min Radius Anywhere Other Than 90° Inside Corners

SOUNDSCAPES® Blades

Linear Acoustical Panels – Wood Looks
fine texture

LEED WELL | LBC

53% RECYCLED CONTENT

For LEED contribution contact TechLine

- energy management
- construction waste mgmt
- regional materials
- design for flexibility
- EPD
- recyclable/extended producer resp.
- biobased materials
- recycled content
- sourcing of raw materials
- material ingredient reporting
- low emitting materials
- lighting quality
- acoustics

LOCATION DEPENDENT

VISUAL SELECTION Shown in elevation view

Item No. ♦	Description	Dimensions (D x L x Thickness)	
8250F04RH05 _ _ _	Rectangular Vertical Panel	5 × 46 × 1-3/4"	
8250F04RH06 _ _ _	Rectangular Vertical Panel	5 × 94 × 1-3/4"	
8250F04RH01 _ _ _	Rectangular Vertical Panel	10 × 46 × 1-3/4"	
8250F04RH02 _ _ _	Rectangular Vertical Panel	10 × 94 × 1-3/4"	
8250F04RH07 _ _ _	Rectangular Vertical Panel	16 × 46 × 1-3/4"	
8250F04RH08 _ _ _	Rectangular Vertical Panel	16 × 94 × 1-3/4"	
8250F04RH03 _ _ _	Rectangular Vertical Panel	22 × 46 × 1-3/4"	

PERFORMANCE Dots represent high level of performance.

Fire Rating	Anti-Mold/Mildew	Bio-Block®	Humi-Guard+	CleanAssure™ Disinfectable Panels	
				Fog	Spray
Class A	*	*	*	*	*
Class A	*	*	*	*	*
Class A	*	*	*	*	*
Class A	*	*	*	*	*
Class A	*	*	*	*	*
Class A	*	*	*	*	*
Class A	*	*	*	*	*
Class A	*	*	*	*	*

FAST
4 WEEKS
or Less

FAST134 program items ready to ship from manufacturer in 4 weeks or less.
Up-to-date lead times and product options (sizes and colors) at armstrongceilings.com/fast134

NOTE: Scrimmed top edges offered as "Premium," contact ASQuote@armstrongceilings.com
♦ Add 3-letter color suffix to end of item number (e.g., 8250F04RH02 W H Q = Honey Oak)



BLADES – Standard

SOUNDSCAPES® Blades

Linear Acoustical Panels – Wood Looks
fine texture

LEED WELL LBC

53% RECYCLED CONTENT

For LEED contribution contact TechLine

- energy management
- construction waste mgmt
- recycled materials
- design for flexibility
- EPD
- recyclable/ certified producer resp.
- biobased materials
- recycled content
- sourcing of raw materials
- material ingredient reporting
- low emitting/ materials
- lighting quality
- acoustics

LOCATION DEPENDENT

VISUAL SELECTION Shown in elevation view

Item No. ♦	Description	Dimensions (D x L x Thickness)	
8250F04RH04 _ _ _	Rectangular Vertical Panel	22 x 94 x 1-3/4"	
8250F04RH09 _ _ _	Rectangular Vertical Panel	28 x 46 x 1-3/4"	
8250F04RH10 _ _ _	Rectangular Vertical Panel	28 x 94 x 1-3/4"	
8250F04CH01 _ _ _	Hill Vertical Panel	7-1/2 x 46 x 1-3/4"	
8250F04CH02 _ _ _	Valley Vertical Panel	10-1/2 x 46 x 1-3/4"	
8250F04CH03 _ _ _	Hill Vertical Panel	19-1/2 x 46 x 1-3/4"	
8250F04CH04 _ _ _	Valley Vertical Panel	22-1/2 x 46 x 1-3/4"	

PERFORMANCE Dots represent high level of performance.

	Fire Rating	Bio-Block® Anti-Mold/ Mildew	Humi-Guard+ Sag Resist	CleanAssure™ Disinfectable Panels	
				Fog	Spray
Class A	•	•	•	•	•
Class A	•	•	•	•	•
Class A	•	•	•	•	•
Class A	•	•	•	•	•
Class A	•	•	•	•	•
Class A	•	•	•	•	•
Class A	•	•	•	•	•



FAST134 program items ready to ship from manufacturer in 4 weeks or less.
Up-to-date lead times and product options (sizes and colors) at armstrongceilings.com/fast134

NOTE: Scrimmed top edges offered as "Premium," contact ASQuote@armstrongceilings.com
♦ Add 3-letter color suffix to end of item number (e.g., 8250F04RH02 W H Q = Honey Oak)



SOUNDSCAPES® Blades

Linear Acoustical Panels – Wood Looks
fine texture

LEED WELL LBC

53% RECYCLED CONTENT

For LEED contribution contact TechLine

- energy management
- construction waste mgmt
- regional materials
- design for flexibility
- EPD
- recyclable/extended producer resp.
- biobased materials
- recycled content
- sourcing of raw materials
- material ingredient reporting
- low emitting materials
- lighting quality
- acoustics

LOCATION DEPENDENT

VISUAL SELECTION Shown in elevation view

Item No. ♦	Description	Dimensions (D x L x Thickness)	
8250F04WH01	Wave Vertical Panel	10-1/2" x 94" x 1-3/4"	
8250F04WH02	Wave Vertical Panel	22-1/2" x 94" x 1-3/4"	
8250F04WH03	Wave Vertical Panel	10" x 46" x 1-3/4"	
8250F04WH04	Wave Vertical Panel	22" x 46" x 1-3/4"	
8250F04WH05	Double Wave Vertical Panel	10" x 94" x 1-3/4"	
8250F04WH06	Double Wave Vertical Panel	22" x 94" x 1-3/4"	

PERFORMANCE Dots represent high level of performance.

Fire Rating	Bio-Block® Anti-Mold/ Mildew	Humi-Guard+ Sag Resist	CleanAssure™ Disinfectable Panels	
			Fog	Spray
Class A	*	*	*	*
Class A	*	*	*	*
Class A	*	*	*	*
Class A	*	*	*	*
Class A	*	*	*	*
Class A	*	*	*	*

FAST
4 WEEKS
or Less

FAST134 program items ready to ship from manufacturer in 4 weeks or less.
Up-to-date lead times and product options (sizes and colors) at armstrongceilings.com/fast134

NOTE: Scrimmed top edges offered as "Premium," contact ASQuote@armstrongceilings.com
♦ Add 3-letter color suffix to end of item number (e.g., 8250F04RH02 W H Q = Honey Oak)



BLADES – Standard

SOUNDSCAPES® Blades

Linear Acoustical Panels – Wood Looks

fine texture

LEED® WELL™ LBC

53% RECYCLED CONTENT

For LEED contribution contact TechLine

- energy management
- construction waste mgmt
- regional materials
- design for flexibility
- EPD
- recyclable/producer resp.
- biobased materials
- recycled content
- sourcing of raw materials
- material ingredient reporting
- low emitting materials
- lighting quality
- acoustics

LOCATION DEPENDENT

STANDARD WOOD-LOOK VISUALS Color-coordinated standard Prelude® Suspension System colors shown below.

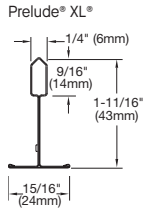


INSTALLATION OPTIONS

	Item No. ♦	Description	LF/CTN
Direct to Grid Suspension System	7301 _ _ _	12' HD Main Beam	240
	XL7342 _ _ _	4' Cross Tee	240
	XL7328 _ _ _	2' Cross Tee	120
	7800 _ _ _	12' Angle Molding	360
360° Painted Direct to Grid Suspension System	730136 _ _	12' HD Main Beam (BL & WH)	240
	XL734036 _ _	4' Cross Tee (BL & WH)	240
	XL732036 _ _	2' Cross Tee (BL & WH)	120
	780036 _ _	12' Angle Molding (BL & WH)	360
	56418	12' HD Main Beam	240
	56421	4' Cross Tee	240
Floating Cloud Installations	56419	2' Cross Tee	120
	7800	12' Angle Molding	360
	AX4STR3 _ _	10' Axiom® Classic 4" Straight Trim	See note*

	Item No. ♦	Description	PCS/CTN
Direct-Attach with Axiom® Wall Molding	AXM34STR3 _ _	10' Straight Wall Molding	See note*
Individual Suspension Using Hanging Kit	6655	4-Point Hanging Kit	4 per bag
Accessories	ARBRKT	Adjustable Hanger Bracket	80
	6459BL	Black Rigid Attachment Clip	25
	STAC	Single Tee Adapter Clip	120
	625530	Extended Hanging Aircraft Cables (30')	4

♦ When specifying or ordering items with a color, add the 2- or 3-digit suffix to the end of the item number (e.g. 7301 B L)
 * 360° Paint Recommended; order by the piece



♦ When specifying or ordering items with a color, add the 2- or 3-digit suffix to the end of the item number (e.g. 7301 S H Y). 15/16" Prelude® XL® Suspension System available in coordinating colors. For the appropriate 3-digit color suffix, please visit armstrongceilings.com/suspensionsystems

PHYSICAL DATA

Material
 1-3/4" thick fiberglass with acoustically transparent membrane on face and sides.

Surface Finish
 Acoustically transparent membrane. Top of panel is unfinished with black embedded hanging clips.

Fire Performance
 SoundScapes® Blades panel material is ASTM E84 Class A: Flame Spread 25 or under and Smoke Developed 50 or less.

CAN/ULC S102 surface burning characteristics.
 Flame Spread Rating 25 or less. Smoke Developed Classification 50 or less.

SoundScapes Blades panels, as with other architectural features located in the ceiling plane, may obstruct or skew the existing or planned fire sprinkler water distribution pattern, or possibly delay the activation of the fire sprinkler or fire detection system. Consult a fire protection engineer, NFPA 13, and local codes for guidance on the proper installation techniques where fire detection or suppression systems are present.

FAST134 Program Considerations
 Size of Job Matters: Big jobs, over 2500 SF or 50 pieces for shapes/vertical elements will have longer lead times.

Location Matters: Transit time not included. We are ready to ship in 1 week on FAST1 items. However, transit to the states west of Wyoming may add time.

Distributor Truck Schedule Matters: We rely on distribution to help move products around the country. When speed matters, work with your local distributor to ensure FAST134 service.

Stock vs Made-to-Order Matters: FAST3 & FAST4 items are made-to-order and will ship direct to distributor. FAST1 (stocked items) will go through distribution and depend on distributor truck schedules.

Design Support
 For custom design assistance contact ProjectWorks® Design Services or visit armstrongceilings.com/projectworks

Anti-Mold/Mildew
 Ceiling tiles with BioBlock® performance resist the growth of mold and mildew on the tile surface.

Design Considerations
 SoundScapes Blades panels maintain a natural bow that may be noticeable when installed 2" or less apart.

Special care in installation and handling must be taken with wood-look blades to avoid surface damage. Be advised thickness on wood-look blades is 1/4" less than painted blades.

5" SoundScapes Blades can now be used on walls, but are not recommended for use in high-traffic or high-impact areas. For best results, install above 7' from floor level.

SoundScapes Blades panels can be ordered with scrim on top edge as a premium.

All wood-look blades are produced with wood grain parallel to the panel length. Wood-look visuals are designed to mimic slight color variations as seen in real wood.

Seismic Restraint
 SoundScapes Blades are approved for all seismic areas when installed per the seismic guidelines in the Armstrong Ceilings installation instructions.

Recommended Suspension Systems
 SoundScapes Blades panels are pre-assembled with metal hanging clips in the top of the panels. See Installation Instructions BPLA-297844 for installation details.

Warranty
 Details at armstrongceilings.com/warranty

Panel Weight	8250F04RH01 – 5.1 LBS/PC	8250F04CH01 – 4.0 LBS/PC
	8250F04RH02 – 10.3 LBS/PC	8250F04CH02 – 5.4 LBS/PC
	8250F04RH03 – 10.5 LBS/PC	8250F04CH03 – 9.4 LBS/PC
	8250F04RH04 – 20.9 LBS/PC	8250F04CH04 – 10.7 LBS/PC
	8250F04RH05 – 2.9 LBS/PC	8250F04WH01 – 10.7 LBS/PC
	8250F04RH06 – 5.8 LBS/PC	8250F04WH02 – 21.3 LBS/PC
	8250F04RH07 – 7.8 LBS/PC	8250F04WH03 – 5.1 LBS/PC
	8250F04RH08 – 15.6 LBS/PC	8250F04WH04 – 10.5 LBS/PC
	8250F04RH09 – 13.1 LBS/PC	8250F04WH05 – 10.3 LBS/PC
	8250F04RH10 – 26.2 LBS/PC	8250F04WH06 – 20.9 LBS/PC

Panels/ Carton
 4 panels/carton; 2 panels/carton for items 8250F04RH04, 8250F04RH10, 8250F04WH02, and 8250F04WH06 only

Minimum Order Quantity
 1 carton