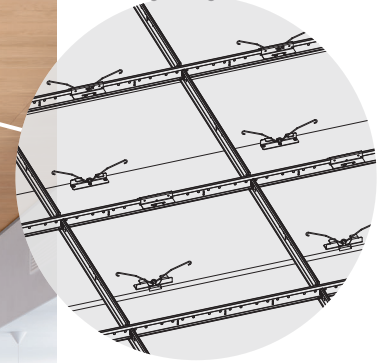


new WOODWORKS® Torsion Spring
Concealed Suspension



CAD/Revit® drawings at:
armstrongceilings.com/cadrevit



WoodWorks Torsion Spring 24" x 96" panels in Plain Slice Cherry

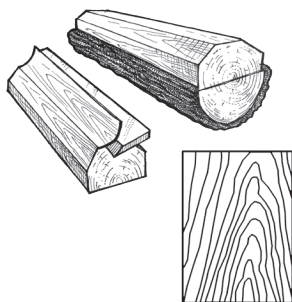
WoodWorks® Torsion Spring accessible system offers a monolithic wood visual in a variety of standard veneers and perforations.

KEY SELECTION ATTRIBUTES

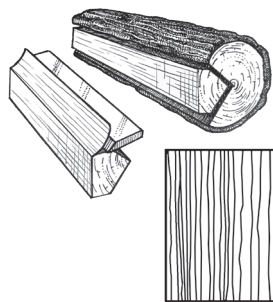
- Standard veneers feature various species and cuts for beautiful wood visuals
- ASTM E84 Class A Fire Performance
- Downward accessible panels provide easy access to the plenum
- The natural warmth of wood can contribute to biophilic designs and building certification standards like the WELL™ v2 "Nature and Place" feature
- Complete standard system from one manufacturer, including panels, suspension system, clips, and trim options
- USDA Biobased content: 100%
- FSC® certified wood available as a premium quoted option
- CleanAssure™ family of products includes disinfectable panels, suspension systems, and trim

VENEER CUTS

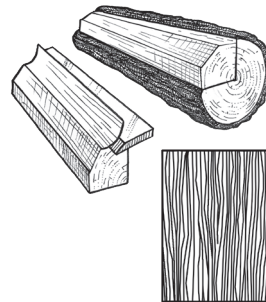
Different cuts of a log will yield different graining visuals. Choose your veneer to achieve your desired look.



Plain Sliced
Produces the well-known cathedral or loop-grain effect.



Quarter Sliced
Produces a striped, often straight-grain effect.



Rift Sliced
Produces a tight, linear grain along the entire length of the veneer.

WOODWORKS® Torsion Spring
Concealed Suspension

**USDA
CERTIFIED
BIOBASED
PRODUCT**
PRODUCT 100%

**LEED®
WELL | LBC**

**80% RECYCLED
CONTENT**

For LEED contribution contact TechLine

energy management	recyclable/extended producer resp.	biobased materials	recycled content	sourcing of materials	material ingredient reporting	low emitting materials	lighting quality	acoustics
construction waste mgmt	regionally sourced materials	design for flexibility	EPD	recycled materials	FSC® (for wood)	recycled content	low emitting materials	lighting quality
LOCATION DEPENDENT				PREMIUM OPTION			WITH INFILL PANEL	

FINISH RANGES

The carefully curated species and veneer cuts offer a beautiful natural variation. The images here reflect the visual range that is likely within our product. Darkest to lightest tones may occur within an installation due to the character of wood.



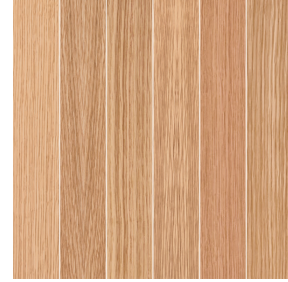
Plain Slice White Maple (NWM)



Plain Slice White Ash (NWA)



Vertical Grain Fir (NWF)



Rift White Oak (NRO)



Plain Slice White Oak (NOK)



Plain Slice Cherry (NPC)



Quartered Mahogany (NGM)



Quartered Sapele (NGS)

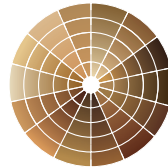


Quartered Walnut (NGW)



Plain Slice Walnut (NWN)

CUSTOM FINISHES



Custom Wood Species and Finishes Available

LEGACY VENEERS

Natural Variations™
Plain Slice



Maple (NMP)



Light Cherry (NLC)

Constants™
Vertical Grain



Walnut (CWA)



Redux Wood Wheat (CRW)

Due to printing limitations, shade may vary from actual product.



WOODWORKS® - Standard

WOODWORKS® Torsion Spring
Concealed Suspension

80% RECYCLED CONTENT

For LEED contribution contact TechLine

USDA
**CERTIFIED
BIOBASED
PRODUCT**
PRODUCT 100%

LEED® WELL™ LBC

- energy management
- construction waste mgmt
- regional materials
- designer flexibility
- EPO
- recyclable/extended producer resp.
- biobased materials
- FSC® (for wood)
- recycled content
- sourcing of raw materials
- material ingredient reporting
- low emitting materials
- lighting quality
- acoustics

LOCATION DEPENDENT

PREMIUM OPTION

WITH INFILL PANEL

VISUAL SELECTION

Item No. ◆	Dimensions Nominal W x L x H (Inches)	LBS/ SF
WoodWorks® Torsion Spring 1/4" Reveal		
8245F01__S1__	24 x 24 x 3/4"	2.94
8245F01__S2__	24 x 48 x 3/4"	2.94
8245F01__S3__	24 x 72 x 3/4"	2.94
8245F01__S4__	24 x 96 x 3/4"	2.94
8245F01__S5__	30 x 60 x 3/4"	2.94
8245F01__S6__	30 x 30 x 3/4"	2.94
FSC® certified* WoodWorks Torsion Spring 1/4" Reveal		
8245F02__S1__	24 x 24 x 3/4"	2.94
8245F02__S2__	24 x 48 x 3/4"	2.94
8245F02__S3__	24 x 72 x 3/4"	2.94
8245F02__S4__	24 x 96 x 3/4"	2.94
8245F02__S5__	30 x 60 x 3/4"	2.94
8245F02__S6__	30 x 30 x 3/4"	2.94

◆ When specifying or ordering, include the appropriate 2-digit perforation and 3-letter veneer suffix (e.g., 8245F01 W 2 S1 N W M)
NOTE: Springs and brackets are included with panels.
* FSC-certified wood is a premium option available through ASQuote@armstrongceilings.com

ACCESSORIES

Item No. ◆◆	Description	Dimensions Nominal W x L x H (inches)	Color	PCS/CTN
Suspension Systems				
7301BL	Prelude® XL® 12' HD Main Beam	15/16 x 144 x 1-11/16"	Black	20
XL8320BL	Prelude XL 2' Cross Tee	15/16 x 144 x 1-11/16"	Black	60
XL7379BL	Prelude 30" Cross Tee	1-11/16"	Black	60
7800BL	12' Hemmed Angle Molding	7/8 x 144 x 7/8"	Black	30
Accessories				
7100	Heavy-duty Wall Anchor (Seismic)	1-1/4 x 3 x 1"	Mill Finish	50
7104	Double Saddle	N/A	N/A	25
7232	Half Saddle	N/A	N/A	25
7129	Removal Tool	N/A	N/A	1 each
GC3WG90	3 Way Grid Clip – Required for 30" panel	N/A	N/A	250
6091	Safety Cable – Required for any panels larger than 24" x 24"	N/A	N/A	50
Perimeter Trim				
6481F01W1H6__	6" Veneered Trim with 4 Clips – Item 5925 (With Faux Wood Edgebanding on long edges)	6 x 96 x 3/4"	All Veneers	N/A
6481F01W1H8__	8" Veneered Trim with 4 Clips – Item 5925 (With Faux Wood Edgebanding on long edges)	8 x 96 x 3/4"	All Veneers	N/A
5925	Replacement Trim Clips	N/A	Mill Finish	25
AX_VESTR__	Axiom® Vector Straight Trim - Recommend in Black 6" and up	N/A	Silver Grey, Black, Gun Metal	10 LF
AX_VECUR__	Axiom Vector Curved Trim - Recommend in Black 6" and up	N/A	Silver Grey, Black, Gun Metal	10 LF
6408__	WoodWorks Edgebanding Coordinating Faux Wood	3/4" x 300"	All Veneers	25 LF
FSC-certified Premium Trim*				
6481F02W1H6__	6" Veneered Trim with 4 Clips – Item 5925 (With Faux Wood Edgebanding on long edges)	6 x 96 x 3/4"	All Veneers	N/A
6481F02W1H8__	8" Veneered Trim with 4 Clips – Item 5925 (With Faux Wood Edgebanding on long edges)	8 x 96 x 3/4"	All Veneers	N/A

◆◆ When specifying or ordering, include the appropriate 3-letter veneer suffix (e.g., 6481F01W1H6 N W M)
NOTE: Saddles must be ordered separately. Refer to installation instructions at armstrongceilings.com/installation for a better understanding of suspension system requirements.

PERFORMANCE

CleanAssure™ Disinfectable Panels		
Fog	Spray	Wipe
*	*	*
*	*	*
*	*	*
*	*	*
*	*	*
*	*	*
*	*	*
*	*	*
*	*	*
*	*	*
*	*	*
*	*	*
*	*	*
*	*	*
*	*	*
*	*	*
*	*	*
*	*	*

Dots represent high level of performance.

ACOUSTICAL INFORMATION

Perforation	Infill Panel Item No.	Description	
W1	Unperforated		N/A
W2	Round Straight	8200T10 1713BL Fiberglass School Zone® Fine Fissured™ 2820BK 5823 5479 1318 Calla® BioAcoustic™ BioAcoustic Backstage Noir®	0.45 0.55 0.55 0.40 0.40 0.55
W3	Round Diagonal	8200T10 1713BL Fiberglass School Zone Fine Fissured 2820BK 5823 5479 1318 Calla BioAcoustic BioAcoustic Backstage Noir	0.45 0.55 0.55 0.40 0.40 0.55
W4	Round Straight	8200T10 1713BL Fiberglass School Zone Fine Fissured 2820BK 5823 5479 1318 Calla BioAcoustic BioAcoustic Backstage Noir	0.60 0.60 0.65 0.65 0.65 0.60
W5	Oval Straight Slotted	8200T10 1713BL Fiberglass School Zone Fine Fissured 2820BK 5823 5479 1318 Calla BioAcoustic BioAcoustic Backstage Noir	0.50 0.50 0.55 0.45 0.45 0.55
W6	Oval Straight Slotted	8200T10 1713BL Fiberglass School Zone Fine Fissured 2820BK 5823 5479 1318 Calla BioAcoustic BioAcoustic Backstage Noir	0.40 0.35 0.35 0.45 0.45 0.35



WOODWORKS® – Standard

WOODWORKS® Torsion Spring
Concealed Suspension

**USDA
CERTIFIED
BIOBASED
PRODUCT**
PRODUCT 100%

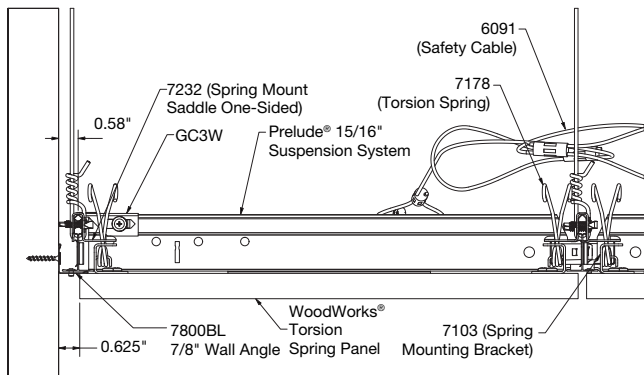
LEED®
WELL | LBC

80% RECYCLED
CONTENT

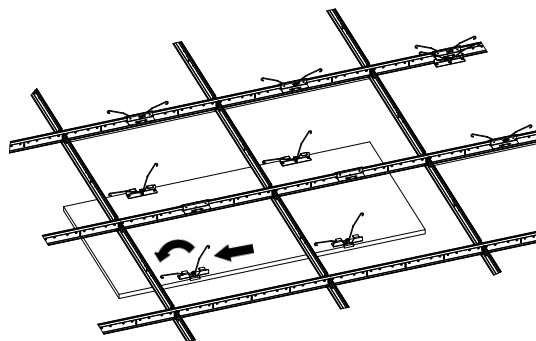
For LEED contribution contact TechLine

energy management	construction waste mgmt.	regional materials	design for flexibility	EPD	recyclable/extended producer resp.	biobased materials	FSC® (for wood)	recycled content	sourcing of low materials	material ingredient reporting	low emitting/ materials	lighting quality	acoustics
LOCATION DEPENDENT				PREMIUM OPTION				WITH INFILL PANEL					

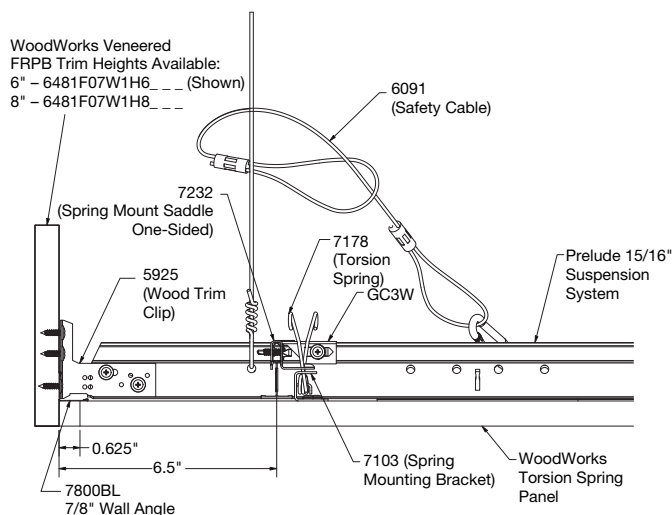
INSTALLATION DETAILS



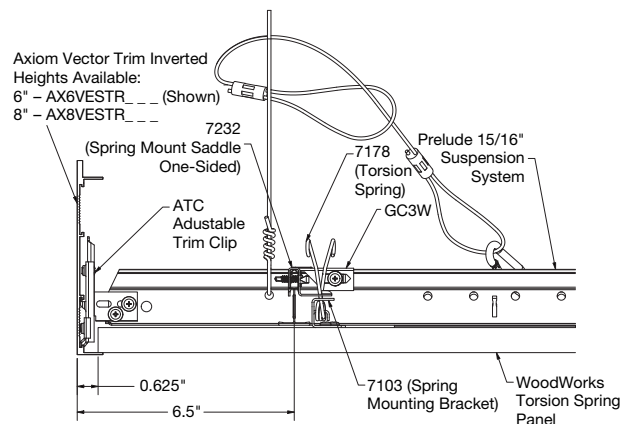
1 Wall Perimeter Detail



2 24" x 48" Panel Access Detail



3 Floating Perimeter Detail



4 Axiom® Trim Detail

PHYSICAL DATA

Material

Fire-rated particle board (FRPB) with real wood veneers.
Vertical Grain Fir (NVF) is FRPB with a reconstituted veneer.

Surface Finish

Clear or tinted semi-gloss coating.

Fire Performance

Class A: ASTM E84 surface burning characteristics.
Flame Spread Index 25 or less. Smoke Developed Index 50 or less.

CAN/ULC S102 surface burning characteristics.

Designers and installers are advised to consult a fire protection engineer, NFPA 13, and local codes for guidance where automatic fire detection and suppression systems are present.

ASTM E1264 Classification

Type XX; Pattern: Z; Class A

Design Considerations

Variation among panels may occur due to the natural characteristics of the wood and grain.

The borders of slotted perforated panels are not designed to align when mixing panels of varying sizes.

Application Considerations

It is very important that WoodWorks planks are climatized prior to installation. Relative humidity between 25% and 55%, and temperatures between 50°F and 86°F, must be maintained.

Specification Consideration

Attention: For FSC-certified wood products to maintain their CoC certification, products must be sold to a CoC-certified distributor or directly to the installing contractor. Failure to do so breaks the CoC.

LEED® is a registered trademark of the U.S. Green Building Council; Living Building Challenge® (LBC) is a registered trademark of the International Living Future Institute; WELL™ and WELL Building Standard™ are trademarks of the International WELL Building Institute; Revit® is a registered trademark of Autodesk, Inc.; FSC® is a registered trademark of Forest Stewardship Council®, A.C., license code FSC-C007626; all other trademarks used herein are the property of AWI Licensing LLC and/or its affiliates © 2024 AWI Licensing LLC

Seismic Restraint

WoodWorks Torsion Spring panels have been engineered, tested, and approved for application in all seismic areas when installed per Armstrong Ceilings installation instructions.

Cleaning and Disinfecting

Cleaning and CDC-approved disinfecting options available on armstrongceilings.com/cleaning

Warranty

Warranty details at armstrongceilings.com/warranty

Weight

Refer to visual selection chart.
(Bulk packaged)

TechLine / 1 877 276-7876
armstrongceilings.com/woodworks
BPCS-7039-224

Armstrong®
World Industries

WOODWORKS® - Standard

