

# ACOUSTIBuilt™ Linear Lighting

## 4-Step Installation Instructions

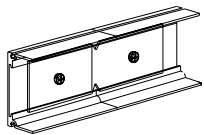
\*Refer to ACOUSTIBuilt™ Assembly and Installation Instructions for full ACOUSTIBuilt details.

### STEP 1:

Drywall Grid System will be installed in a typical manner with main beams 4' on-center and 48" cross tees 16" or 24" on-center as usual. This fixture kit is made to receive 7/8" ACOUSTIBuilt panels.

It is best to account for the linear lighting layout as you install your grid the first time. The linear lights are "housed" within the normal 48" on-center main beam spacing. Two main beams will flank either side of the fixture kit, and the fixture kit will be screwed into the main beam flanges. The main beams will require hanger wires 48" on center. There are no required hanger wires on the fixture kit itself. The flange-to-flange opening between main beams should be 5-1/8".

For long continuous runs of a fixture, the Axiom® Splice Plate (AXSPICE) can be used to connect fixture kits.



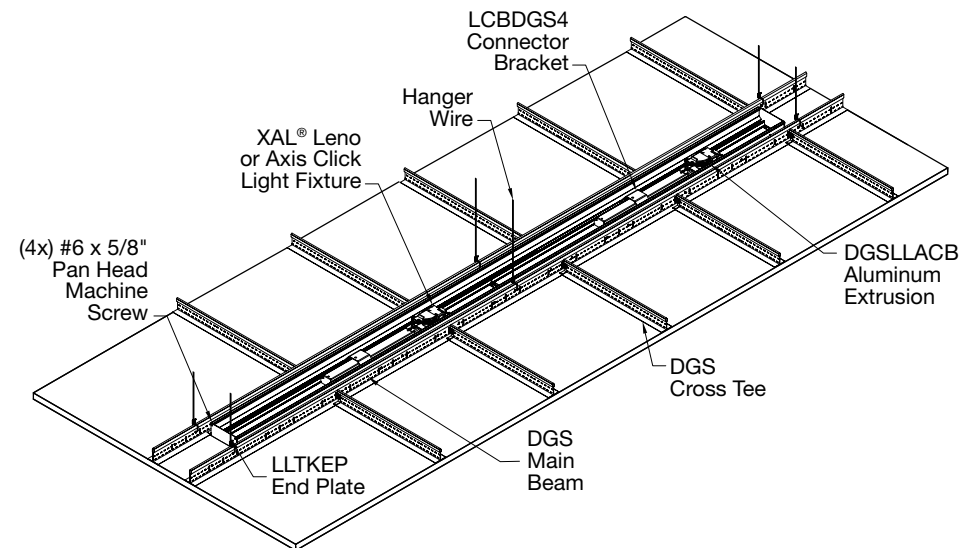
For short non-continuous runs of a fixture, like 48" lights, you will need a 48" length opening since the housing is 47.44". For this, you can cut a piece of main since a 48" cross tee will not be long enough.

### STEP 2:

The fixture kit is shipped pre-assembled.

| Trim Kit Components Included                |
|---|
| 1. Aluminum Extrusions (2)                  |
| 2. Connector Bracket (varies)               |
| 3. End Plates (2)                           |
| 4. #8-32 x 5/16" Pan Head Machine Screws    |
| 5. #6-20 x 5/8" Pan Head Sharp Point Screws |

NOTE: Refer to the Drywall/Stucco/Plaster – Flat Ceilings Data Page (BPCS-3081) to view additional components needed.





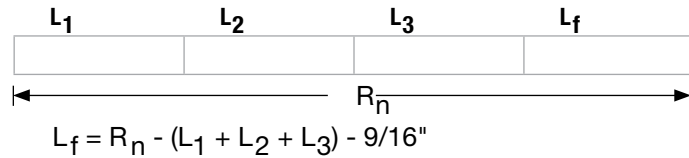
### Generic Calculation:

$$L_f = R_n - (L_1 + L_2 + L_3 + \dots) - 9/16''$$

$L_f$  = Length of final kit to be installed (may need to field cut)

$R_n$  = Nominal length of fixture run (i.e. 36')

$L_1 + L_2 + L_3$  = Installed measured length of individual fixture kit



### STEP 3:

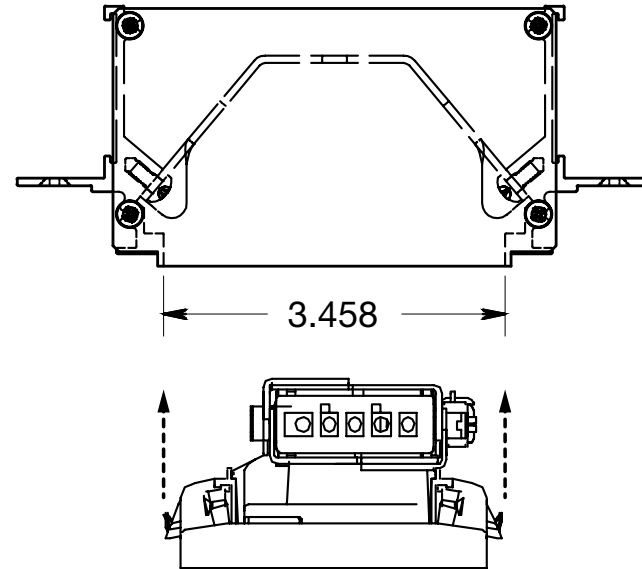
Finish per standard ACOUSTIBuilt™ installation instructions. The trim kit does not need any additional taping flanges. A non-tapered (butt) edge would integrate best with the light fixture kit. The aluminum edge is designed to accept mud and panels up to the edge of the profile.

### STEP 4:

Once the housing and ACOUSTIBuilt panels have been installed, the XAL® Leno or Axis Click light fixture will be set into place from below.

For additional information on partner light fixtures, visit: [xalusa.com](http://xalusa.com) and [axislighting.com](http://axislighting.com).

**NOTE:** As with our Steel Transitions, mesh or paper tape can be used to ensure cracking doesn't occur.



*As with our Steel Transitions, mesh or paper tape can be used to ensure cracking doesn't occur.*

## **MORE INFORMATION**

For more information, or for an Armstrong Ceilings representative, call 1 877 276 7876.

For complete technical information, detail drawings, CAD design assistance, installation information, and many other technical services, call TechLine customer support at 1 877 276 7876 or FAX 1 800 572 TECH.

Inspiring Great Spaces® is a registered trademark of AFI Licensing LLC; XAL® is a registered trademark of XAL Inc.; All other trademarks used herein are the property of AWI Licensing LLC and/or its affiliates.

© 2020 AWI Licensing Company Printed in the United States of America

