

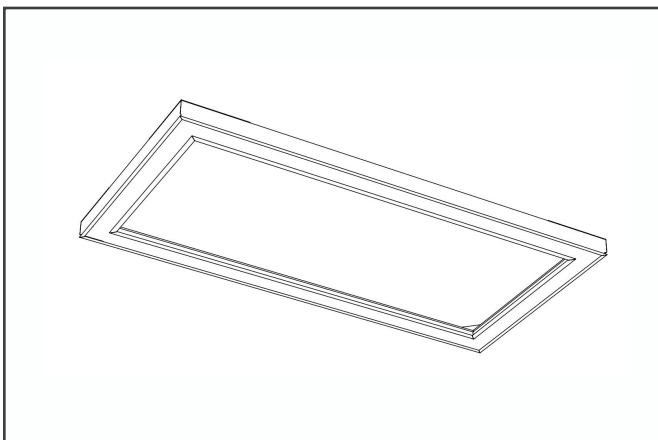
PLEASE READ ALL INSTRUCTIONS CAREFULLY BEFORE INSTALLING. RISK OF FIRE AND ELECTRICAL SHOCK. FIXTURE MUST BE INSTALLED BY A QUALIFIED ELECTRICIAN. ALL INSTALLS SHOULD BE IN ACCORDANCE WITH NATIONAL, LOCAL BUILDING AND ELECTRICAL CODES. ALL WIRES AND MATERIALS USED FOR INPUT/OUTPUT MUST BE UL APPROVED.

### Fixture Dimensions

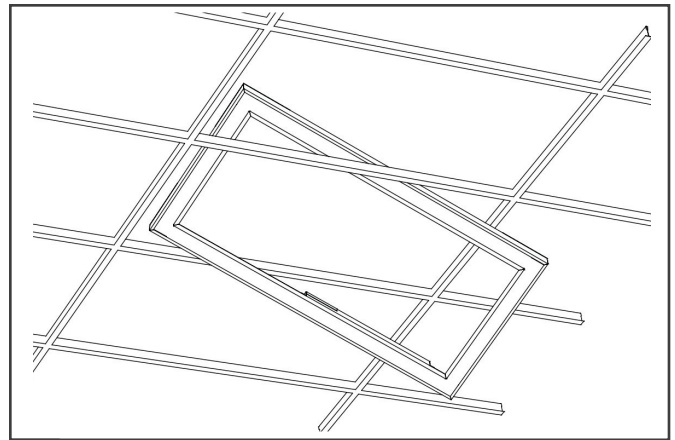
Product	Fixture Length	Fixture Width
EdgeT1-2x2	23.75"	23.75"
EdgeT1-2x4	47.75"	23.75"

### Fixture Installation Steps:

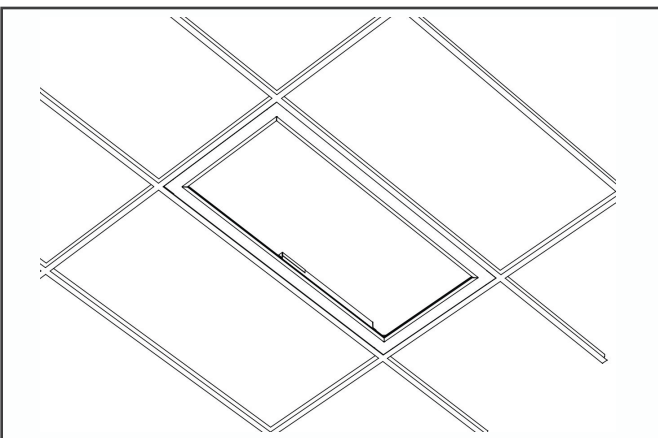
(Note: Following steps show a 2x4 fixture, installation is the same for a 2x2 fixture)



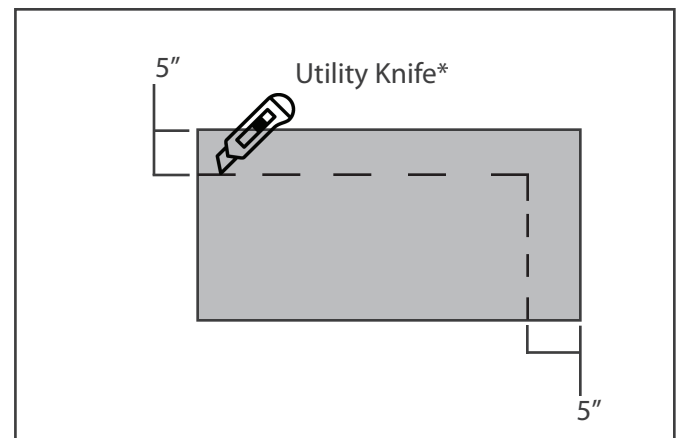
**1** Ensure power to fixture circuit is turned off and remove all packaging from fixture



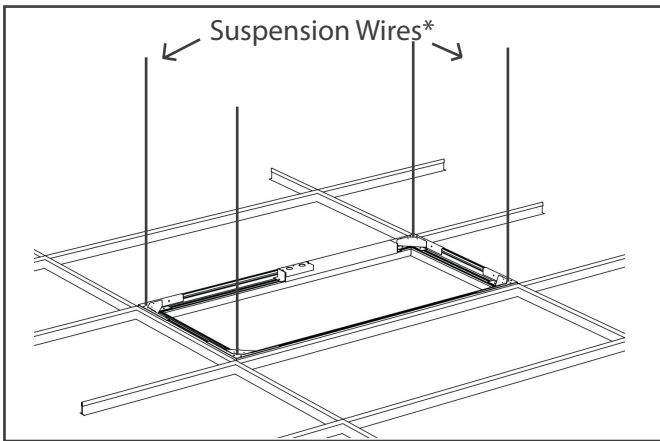
**2** Insert fixture into ceiling



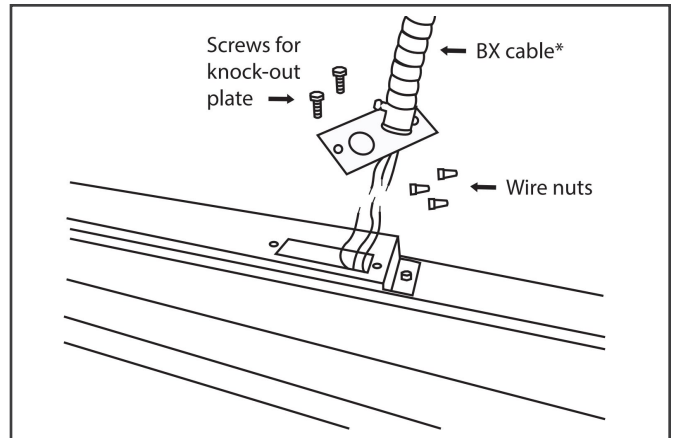
**3** Place fixture onto ceiling grid



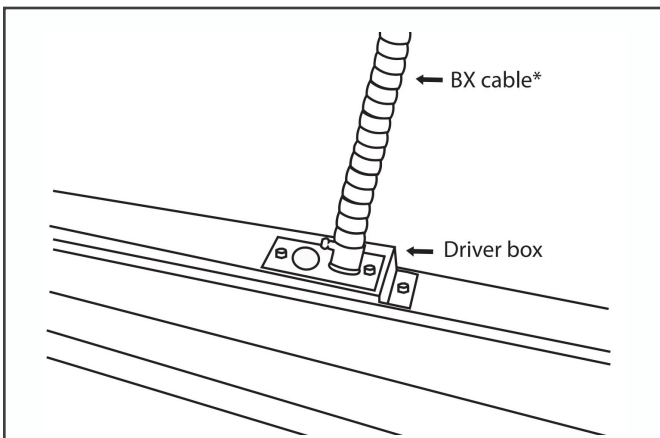
**4** Cut 5" off long and short side of ceiling panel



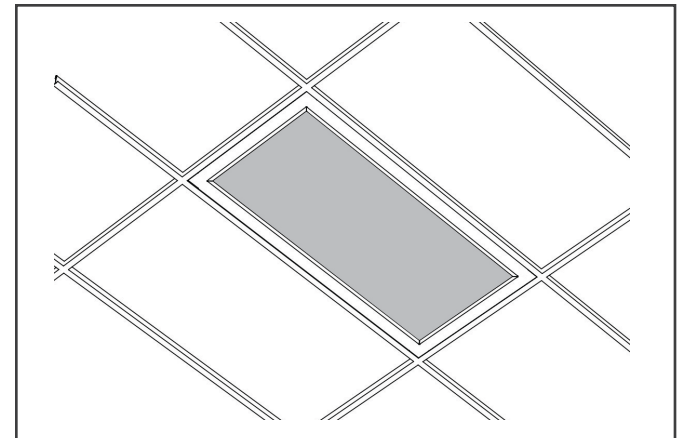
**5** Attach suspension wires to fixture



**6** Remove access plate and attach appropriate wires. Ensure connections comply with local and national codes.



**7** Push connected wires into driver box and re-install access plate.



**8** Re-install cut ceiling tile

\*These components are not supplied