

AXIOM[®] Glazing Channel Trim

Assembly and Installation Instructions

1. GENERAL

1.1 Description

Axiom[®] Top Glazing Channel is designed for use with interior glass partitions that run into the ceiling. The five available profiles integrate with drywall or acoustical ceilings and simplify the construction process by eliminating framing. Bottom channels and side channels (if used) would be provided by the glazing contractor. Armstrong provides the top channel only to coordinate with drywall and acoustical ceilings.

All components are made in 10' lengths.

There are five profiles designed for use with acoustical ceilings or drywall. The most common will be AXGC. (Fig 1)

The left profile (AXGCS) is used primarily in seismic installations, but but can be used in conditions where wider flanges are preferred. (Fig 2)

For added architectural detail, use AXGCV. This profile can be used with full-size Vector[®] edge panels at the glazing channel reveal or with Tegular edge panels. (Fig 3)

Profiles for drywall-to-drywall or acoustical-to-drywall applications (AXGCD, AXGCAD) are shown in (Figs 4 & 5).

2. MATERIAL DELIVERY AND IDENTIFICATION

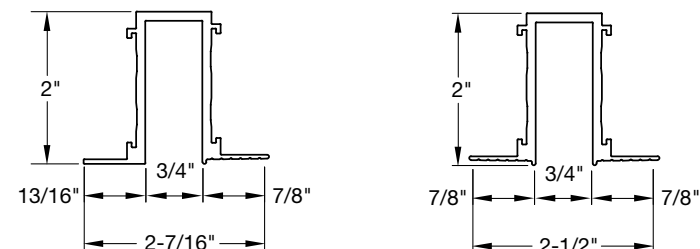
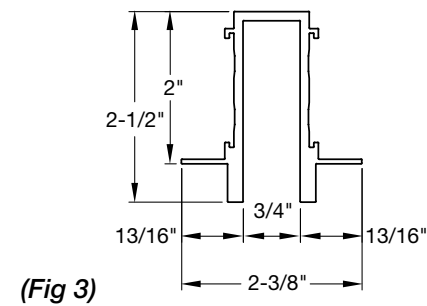
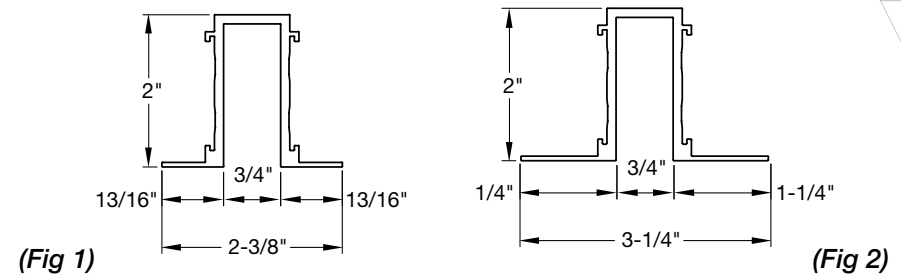
2.1 Delivery

Axiom Top Glazing Channel and hardware are delivered to the job site in specially designed packaging for your job. Exercise appropriate care to protect the finished surfaces of the trim.

NOTE: Gasket material or silicone are not included with the aluminum channel. Recommendations and material shall be provided by a knowledgeable glazing contractor.

2.2 Review

Review the packing slip to ensure that the complete order has been delivered to the site.



(Figs 4 & 5)

3. COMPONENT ASSEMBLY

3.1 Splice Plates

Steel splice plates are used to align and secure all joints between sections of the Axiom® Glazing Channel. Splice plates are secured to the trim sections using factory-installed screws. Each end should have two splice plates. (Fig 6)

Typical Procedure

1. Position the splice plates (AXSPLICE2) in the bosses at the end of the trim.
2. Tighten the screws using a Phillips head screwdriver.

3.2 T-Bar Connector Clips

Axiom® T-Bar Connector Clips (AXCCLT) are used to attach the ceiling or drywall suspension systems to the Axiom Top Glazing Channel and are supplied with the glazing channel.

One clip is required at each location where the suspension system intersects the light cove trim.

There are three ways to use the AXCCLT twist-in T-Bar Connector Clip INCLUDED with each shipment:

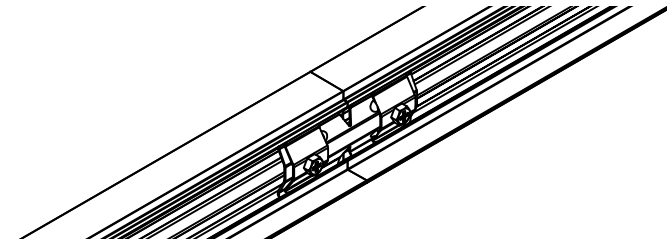
1. In the upright position, the AXCCLT is used with lay-in, Tegular, concealed tile, and installations of Vector® panels that are FULL SIZE panels. (Fig 7)
2. For Interlude® XL® HRC, and Silhouette®, the AXCCLT must be modified as shown in (Fig 8).
3. For drywall applications (AXGCD or AXGCAD), the AXCCLT must be inverted to provide the required 5/8" gap between the drywall grid and taping flange on the glazing channel. In addition, the bulb of the drywall grid may need to be cut back to allow for a track to be installed on top of the glazing channel profile. (Fig 9)

Typical Procedure

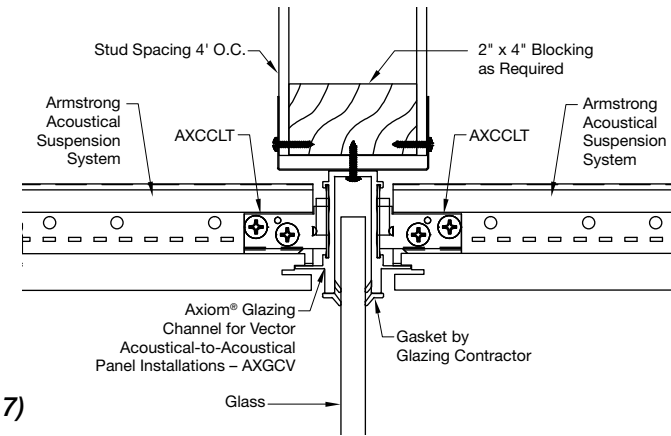
1. Cut suspension system to length.
2. Attach clip to suspension system member.
3. Engage clip in channel bosses and twist to secure.

Tapable Flange Installation

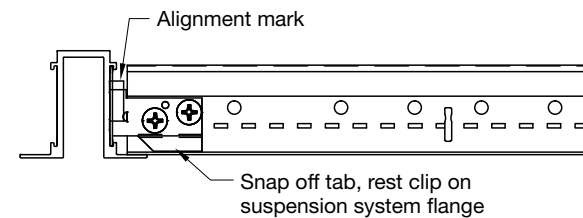
1. Install moldings after gypsum board is mounted in place.
2. Provide backing so moldings may be attached with #6 drywall screws 16" O.C. for horizontal applications.



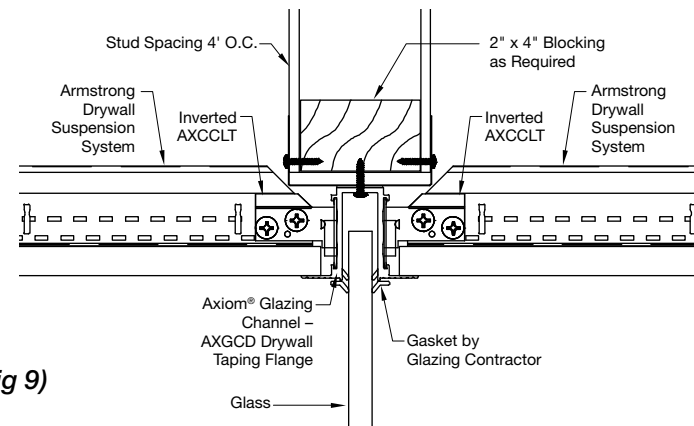
(Fig 6)



(Fig 7)



(Fig 8)



(Fig 9)

3. Prior to taping, the attachment flanges should be cleaned using a non-abrasive cleaner and soft rag. When veneer plaster is specified, the flanges must be treated with a bonding agent.
4. Be sure the tape does not overlap the edge of the reveal and an 8" wide trowel is used to apply the final skim coat.

NOTE: Fiberglass self-adhesive drywall tape can reduce taping time and help avoid possible cracking.

4. T-BAR CONNECTOR CLIPS FOR INTEGRATION OF PRODUCTS THAT REQUIRE GRID OFFSET GREATER THAN 3/8"

The ATC (Adjustable Trim Clip; item 7239) can be used in various installations to accommodate a range of grid offsets. This clip can be adjusted to install grid at 0" to 3-3/4" above the flange of the Axiom trim at 1/8" increments. This adjustability enables Axiom Glazing Channel to be installed with a range of WoodWorks®, MetalWorks™, and other architectural specialties products. The ATC can be requested at the time of order, in lieu of AXCCLT clips, or ordered separately. One clip is required at each location where the suspension system intersects the channel trim.

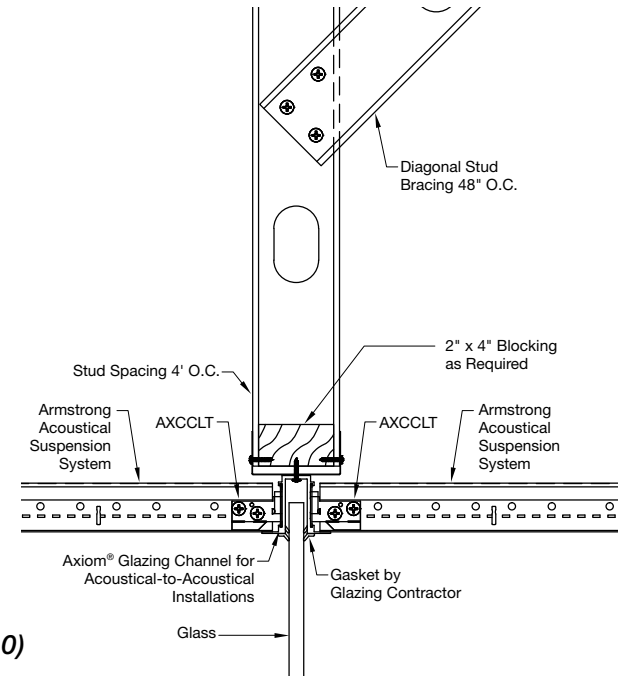
To avoid interference issues, installations using the ACT will require the Axiom Glazing Channel to be installed with Armstrong Drywall Grid, and the flange of the DGS to be notched at the clip locations. Contact TechLine for details.

5. GENERAL INSTALLATION PROCEDURES FOR AXIOM® TOP GLAZING CHANNELS

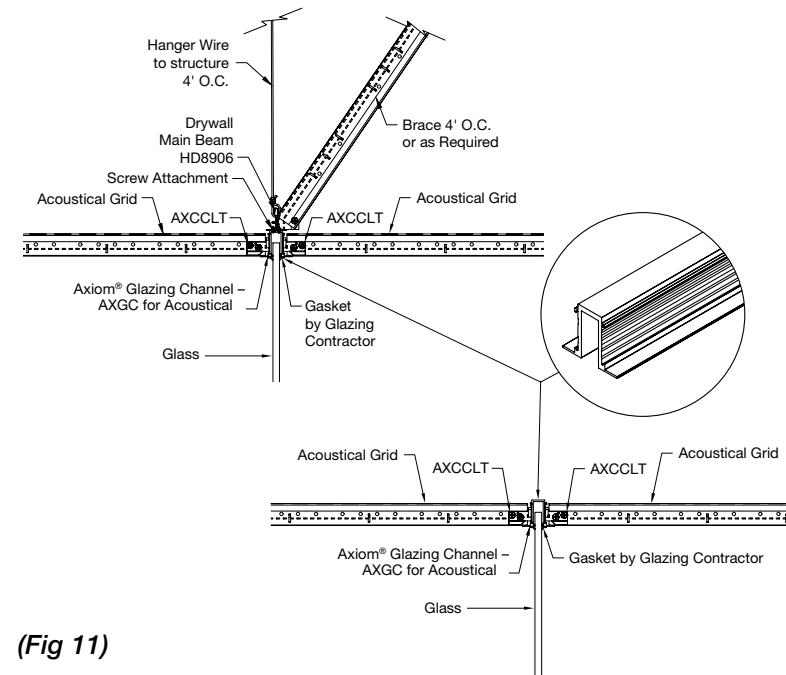
5.1 Axiom Glazing Channel integrates with acoustical or drywall ceilings and may require additional framing. Secure the glazing channel every 4' to prevent uplift and lateral force of 200 lbs. Follow specific framing and reinforcement from the architectural plans and specifications. (Figs 10 & 11)

Typical Procedure

1. Lay out and install the suspension system according to the reflected ceiling plan.
2. Attach the T-Bar connector clips. Align clips as shown in 3.2.
3. Insert one framing screw near the center of the slot.
4. Install Axiom Glazing Channel.
5. Install support framing as required.
6. Install drywall or ceiling panels as required.



(Fig 10)



(Fig 11)

6. FINAL DETAILING

- 6.1** Check and adjust the alignment of the Axiom components and ceiling panels.
- 6.2** Clean exposed surfaces as required. Painted Axiom components may be wiped down with rubbing alcohol or a mild soap solution to remove fingerprints, oil, etc.
- 6.3** Touch up painted components as required. All painted custom Axiom shipments include a container of paint to be used for touch-up.

MORE INFORMATION

For more information, or for an Armstrong Ceilings representative, call 1 877 276 7876.
For complete technical information, detail drawings, CAD design assistance, installation information, and many other technical services, call TechLine customer support at 1 877 276 7876 or FAX 1 800 572 TECH.
Inspiring Great Spaces® is a registered trademark of AFI Licensing LLC; All other trademarks used herein are the property of AWI Licensing LLC and/or its affiliates.

© 2020 AWI Licensing Company Printed in the United States of America