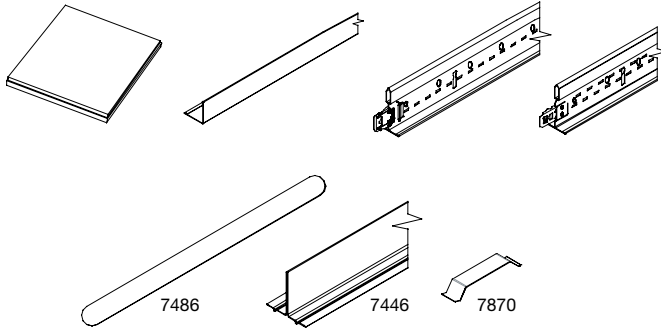


K4C4 Tile on Concealed Grid

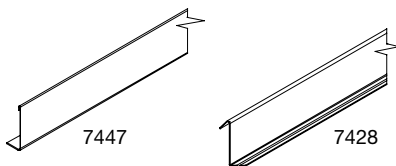
Installation Instructions

COMPONENTS (For non-accessible modules)



Item #	Description	Material Estimates
K4C4	12" x 12" Tile	Square feet plus 10% for waste and cutting
7800	Wall Molding	Add perimeter measurements of room, columns, and partitions, divide by 12
7300	Main Beam	Divide square feet by 48
XL7348	4' Cross Tee (use any 4' cross tee)	Divide square feet by 16
7486	11" Breather Splines	Multiply square feet by 0.75
7446	4' Concealed Tees	Divide square feet by 5.3
7870	Spring Border Clips	1 per foot of total perimeter

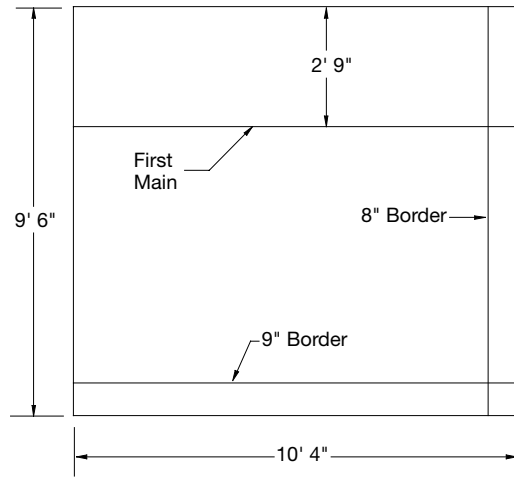
ADDITIONAL COMPONENTS (For accessible modules)



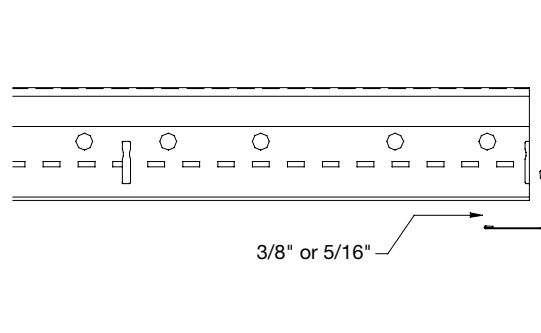
Item #	Description	Material Estimates
7447	4' Access Angle	For each 4' x 4' module that requires access, reduce the number of concealed tees by two and add two 4' access angles
7428	2' Access Hook	For each 4' x 4' module that requires access, add four 2' access hooks

PRIMARY GRID SYSTEM

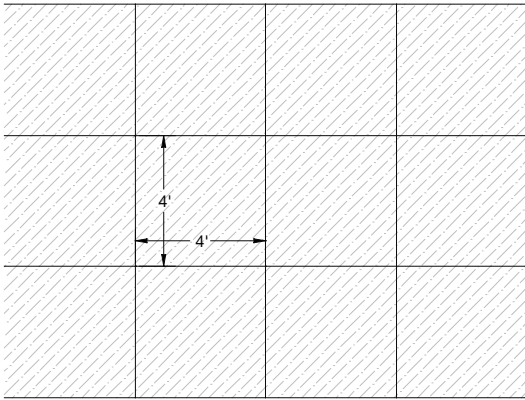
- Install wall molding at the desired finished ceiling height on all walls, columns, and partitions that penetrate the ceiling.
- Calculate border tile sizes as you would for any 12" x 12" tile installation.
- Cut a main beam so a cross tee rout falls at the border distance from the end of the main.
- Hang the first main parallel to one sidewall at a distance of the border tile size plus 1, 2, or 3 feet.



- Bend hanger wires so the mains hang 3/8" or 5/16" (half the thickness of the tile) above the wall molding.



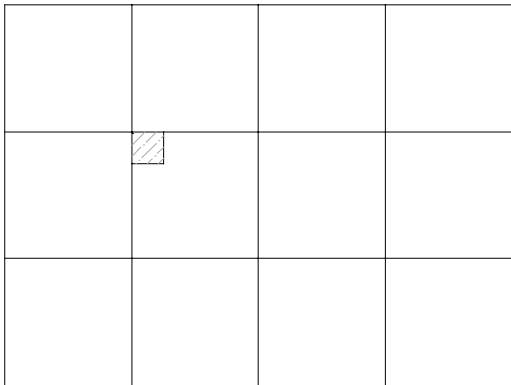
- Install the rest of the mains on 4' centers.
- Install 4' cross tees on 4' centers to create 4' x 4' openings.



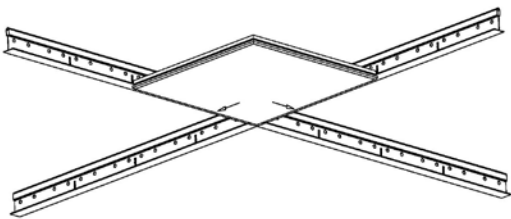
- Module diagonals must be equal (within 1/16") to ensure that the grid is square.
- The entire grid system must be level (within 1/4" in 10 feet).

K4C4 TILE—NON-ACCESSIBLE MODULES

- Each 4' x 4' module will contain four rows of four tiles each. Start with a 4' x 4' module near a corner of the room.

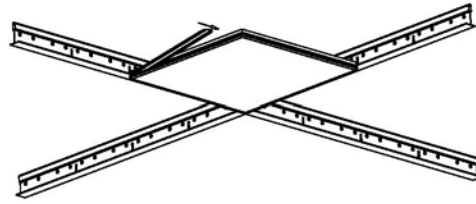


- Install the first tile at the intersection of the main beam and a cross tee.

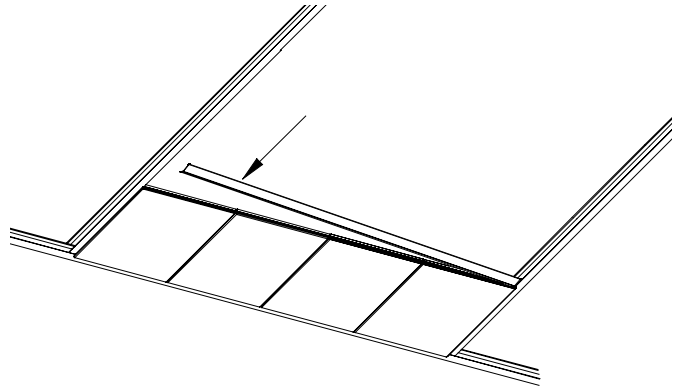


- Position tile so the grid flanges fit into the kerfs of the tile.

- Install the second tile by inserting a breather spline in the kerf between the tiles and engaging the flange of the cross tee.



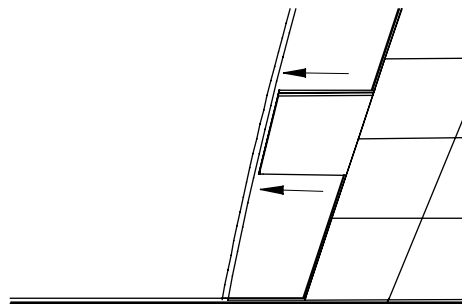
- Install tiles 3 and 4 the same way.
- Finish the row with a concealed tee.



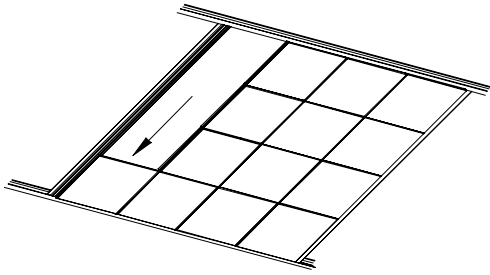
- Rest the ends of the concealed tee on the main beam flanges.

NOTE: Every kerf must be filled by a spline or grid flange to keep air from passing through the tile joints and soiling the tile.

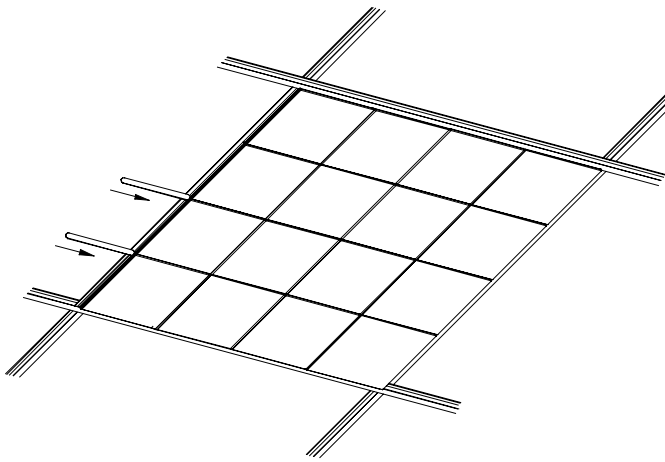
- Install the second and third rows like the first, with breather splines between the tiles and a 4' concealed tee between each row.
- Install the first tile in the fourth row by engaging a tile kerf on the flange of the last concealed tee near the midpoint of the span.
- Gently bow the grid away from the tile, elevate the other end of the tile, and let the grid flange engage the opposite kerf.



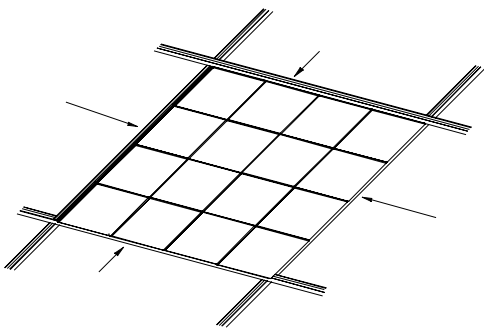
- Slide the tile to one side and engage the flange of the main into the kerf of the tile.



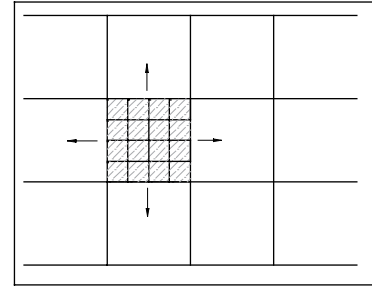
- Install the next tile the same way, but slide the tile to the other side.
- Insert a breather spline in the kerf of one of the tiles and install the third tile.
- The last tile in the fourth row is installed the same way, but the last breather splines are inserted after the tile is in place. Slide them under the flange of the cross tee.



- After all 16 tiles are installed, adjust the module so the joints are lined up and tight.

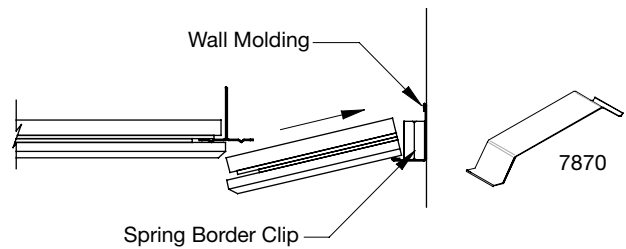


- **ONCE YOU HAVE CHOSEN A STARTING POINT, WORK PROGRESSIVELY OUTWARD FROM THAT MODULE.**

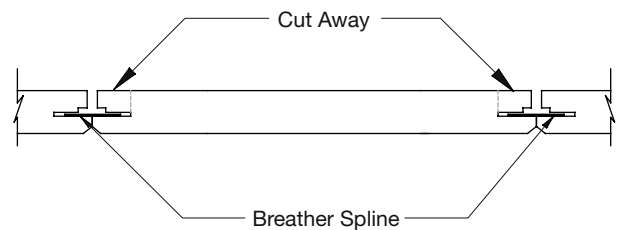


K4C4 BORDER TILES

- Cut each border tile 1/2" short.
- Place a spring border clip on the wall molding with the "legs" of the clip against the molding at the wall.
- Push the cut edge of the tile against the spring clip until the kerf on the opposite edge can engage the flange of the main, cross tee or concealed tee.

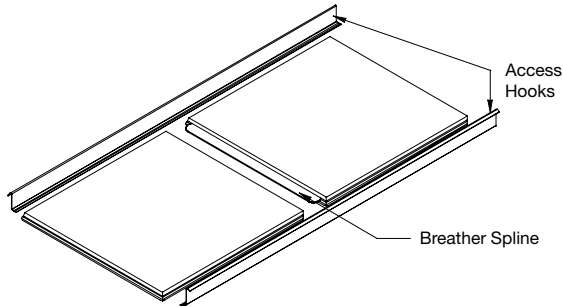


- Raise the other edge of the tile so it is flush with the ceiling plane.
- Let the pressure of the spring clip push the tile into place.
- Cut a breather spline to length and insert.
- When installing the last tile in a border module, cut away the back of the kerf on both sides to allow clearance for the breather splines already inserted.

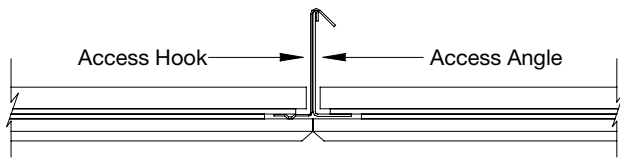


K4C4 TILE ACCESS MODULES

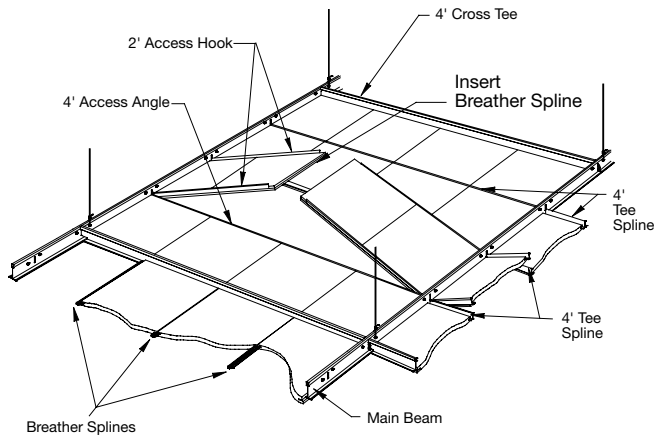
- For access to the plenum, replace concealed tees on both sides of either the second or third row with access angles.
- Make two removable access panels by inserting breather splines between two tiles and 2' access hooks into the kerfs on adjacent edges.



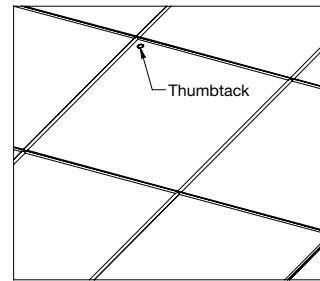
- The access hooks lay over the access angles. The kerfs at the outer edges of the tile engage the flange of the main and serve as a hinge.



- Insert the final breather spline between the two access panels as the panels are lowered into place.

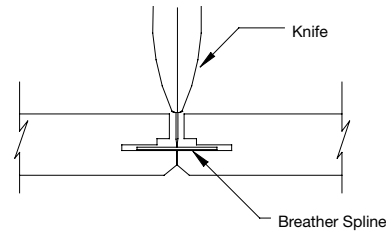


- For quick identification of access panels after the installation, push a white thumbtack into the corner of one of the tiles so the head is just visible above the surface when looking across the ceiling.



INSTALLATION TIPS

- For a tighter perimeter fit, use a C-channel wall molding with spring border clips pushing the border tiles both out against the field and down against the flange of the wall molding.
- Consider including access panels in every other module in a checkerboard pattern in the initial installation. This could save your client time and money in the future.
- When inserting breather splines under cross tees, you may find it helpful to use your utility knife to position them. From above, place the point between two tiles and slide the spline into position.



- If you are installing light fixtures, air diffusers, or other components that have black cases, consider using black grid throughout the installation so that the exposed grid flanges will blend with the components.

If you have additional questions, call Armstrong TechLine at 1 877 276 7876.



Printed on recyclable paper with vegetable-based inks. Please Recycle. ♻️

MORE INFORMATION

For more information, or for an Armstrong representative, call 1 877 297 7876.

For complete technical information, detail drawings, CAD design assistance, installation information, and many other technical services, call TechLineSM customer support at 1 877 297 7876 or FAX 1 800 572 TECH.

For the latest product selection and specification data, visit armstrongceilings.com/commercial.

All trademarks used herein are the property of AWI Licensing Company and/or its affiliates © 2016 AWI Licensing Company • Printed in the United States of America

BPLA-297428-316

Armstrong[®]
CEILING SOLUTIONS