

INFUSIONS® Shapes

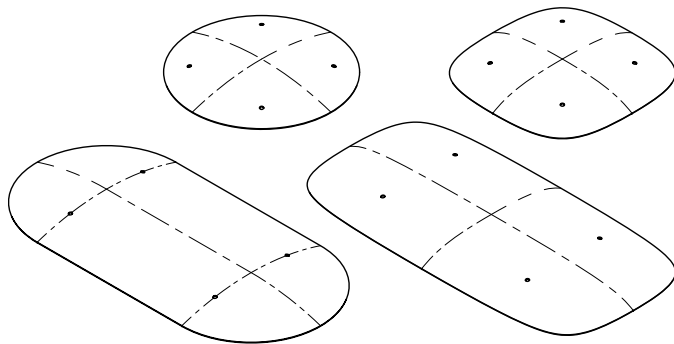
Installation Instructions

1. GENERAL

Do not remove materials from the crate until you have read these instructions in their entirety.

1.1 Product Description

Infusions Shapes are available in two sizes (48" x 48", 48" x 96"), four different forms, and a variety of translucent finishes.



Infusions Shapes must be suspended individually. They must be suspended from the building structure but may not be attached to a wall.

1.2 Storage and Handling

Infusions Shapes components shall be stored in a dry interior location and shall remain in original crates prior to installation to avoid damage. Do not store for more than 30 days, since protective film will become difficult to remove. The crates shall be stored in a flat, horizontal position. The shapes should not be removed from their crate until the suspension system is ready.

Proper care should be taken when handling shapes to avoid damage and soiling, particularly with shape edges and the surface. Handle with clean gloves/hands to avoid fingerprints.

Always install Infusions Shapes with two people.

1.3 Design and Installation Limitations

Infusions Shapes should always be installed in accordance with all applicable building codes and regulations.

Do not cut holes or drill through Infusions Shapes. Doing so may cause the shape to bend in an irregular fashion.

Do not allow the shape to get wet.

Shapes are susceptible to "wicking." If the shape is placed in a damp or wet area, water may "wick" up through the product.

The lowest point of a suspended Infusions shape should be at least 7'-6" above the finished floor surface.

Infusions Shapes are not approved for exterior application.

Polycarbonate shapes can be damaged by exposure to high temperatures. Shape temperature should not be permitted to exceed 100° F. Follow these guidelines for minimum distance from standard light sources:

Lamp Type	Label Wattage	Minimum Distance
Halogen FL XL PAR 30	60	14"
Incandescent Bulb	120	15"
Quartz Halogen Work Light	500	23"

1.4 Fire performance

Infusions® Shapes, as with other architectural features located at the ceiling, may obstruct or skew the planned fire sprinkler water distribution pattern or possibly delay or accelerate the activation of the sprinkler or fire detection systems by channeling heat from a fire either toward or away from the device. Designers and installers are advised to consult a fire protection engineer, NFPA 13, and their local codes for guidance where automatic fire detection and suppression systems are present.

Infusions Shapes have been tested according to NFPA 286 and are equivalent to Class A Interior Finish as defined in Chapter 8 of the International Building Code.

Contact TechLineSM at 1 (877) 276-7876, option 1, then 2, then 3, for specific US and Canadian fire performance data.

1.5 Shape Suspension

The International Building Code requires the attachment of free floating architectural components to be sized for three times the design load. Use the assembled canopy weights provided in this table to select mounting hardware that will meet this requirement:

Material	Circle	Oval	Curved Square	Curved Rectangle
Solid Polycarbonate	21.0 lb	54.0 lb	21.0 lb	54.0 lb

2.0 COMPONENTS

2.1 Shapes

Product is available in four different sizes and shapes. See data page BPCS-4903 for product dimensions.

2.2 Suspension Systems

Infusions Shapes Hanging Kit – 7149

Hanging kits are included inside each carton of Infusions Shapes. Please locate immediately.

Kit Contents:

- (4) Coupler Bases
- (4) Coupler Inserts
- (4) Cables – 16'
- (4) Top Socket Housing
- (4) Ball Grippers
- (4) Gaskets
- (4) Bottom Socket Housing

3.0 INSTALLATION

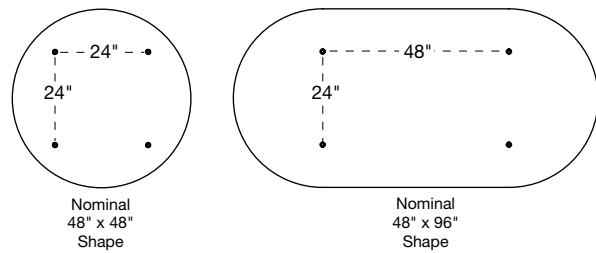
3.1 General

After opening the crate, be sure to locate the hardware accessory kits needed for installation.

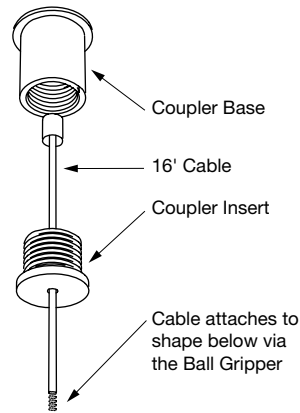
Infusions Shapes require two people to install each shape safely. **DO NOT REMOVE THE SHAPES FROM THEIR CRATE** until the suspension system has been prepared and is ready to accept the shapes for installation.

Shapes cannot be used to support any other material. The suspension system must be fastened to the structure and cannot be hung from any commercial ceiling system.

Infusions Shapes suspension holes are located 2' on center. See the dimensions and locations of the suspension holes in each nominally sized shape below:



3.2 Suspending Shapes from the Deck



Coupler Bases have 1/4" – 20 internal threads that may be used for attachment to the structure.

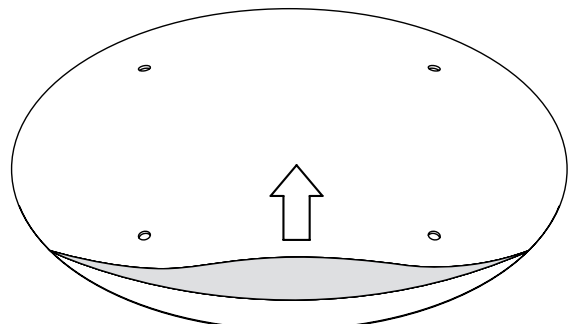
Components required for attachment to the structure are not included in the installation hardware kits, since they vary by building structure.

3.2.1 When installing a single 48" x 48" shape, hang four cables from the structure in a two foot square configuration. To fasten the Coupler Base to the structure, use fasteners by others that are compatible with the structure. This part of the installation will utilize the Coupler Base and Insert from the Hanging Kit (item 7149).

The cables attach to the individual shape at the four suspension holes using the Ball Gripper supplied in the Hanging Kit.

3.2.2 Shape Preparation

Peel back and remove the protective films covering the front and back faces of the shape (as shown below).



3.2.3 Hardware Preparation

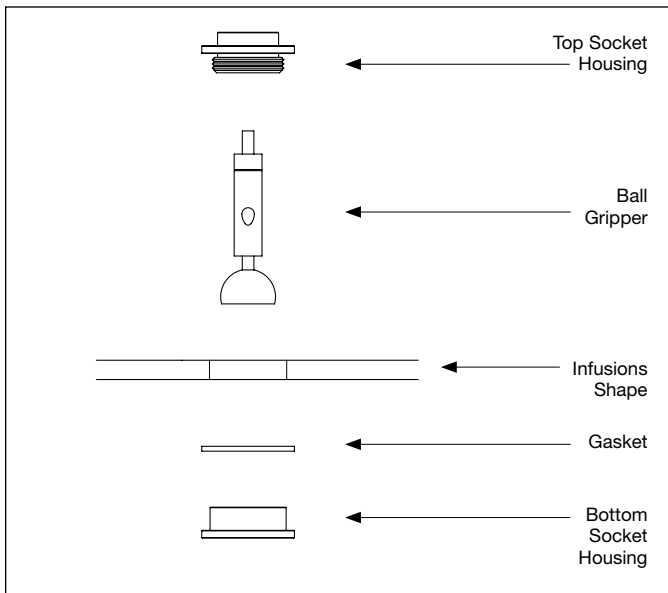


Figure 1

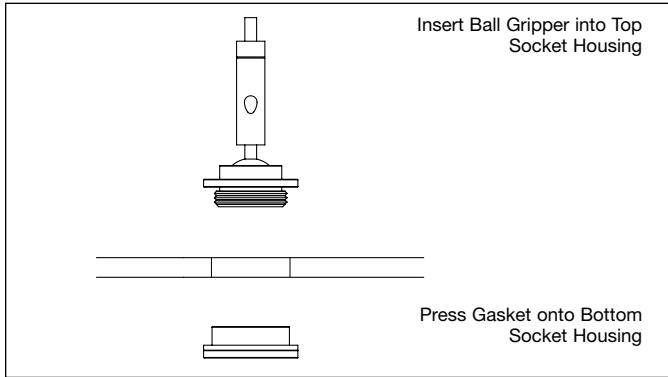


Figure 2

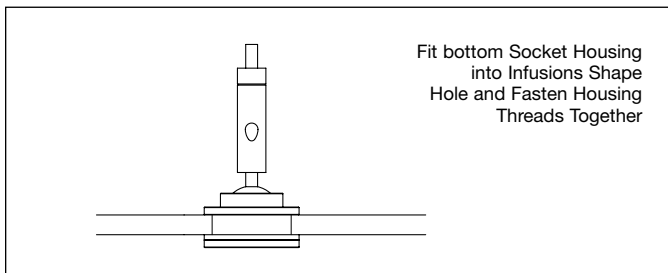
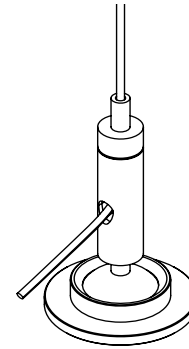


Figure 3

NOTE: A 16' Aircraft Cable is included in the standard Infusions® Shapes Hanging Kit. If additional cable length is needed for high ceiling applications, order the additional accessory kit for four 30' Extended Hanging Cables (item 625530).

3.2.4 Installing the Shape

Raise the shape using two people. Feed the cable through the Ball Gripper at all four locations. The height of a shape can be adjusted at the Ball Gripper. When a final height is determined and installation is complete, cut off excess cable wire from the side of the Ball Gripper, leaving 1" excess.



3.3 Installing Shapes Below an Existing Ceiling

Use 1/4" – 20 threaded rod attached to structure to secure the Coupler Base. Use the optional escutcheon accessory kit to conceal the hole through the existing ceiling.

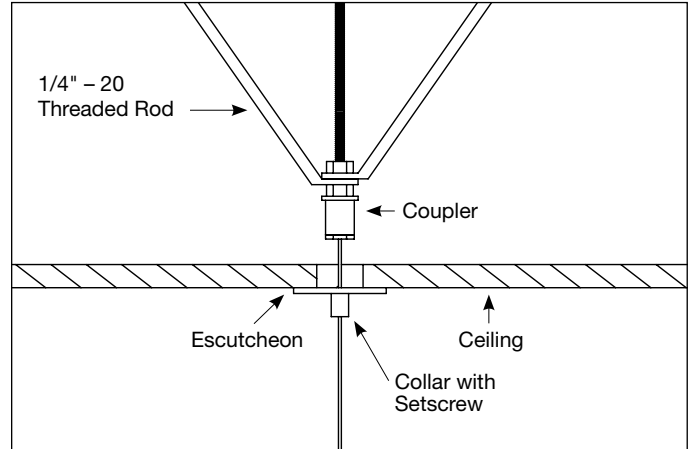


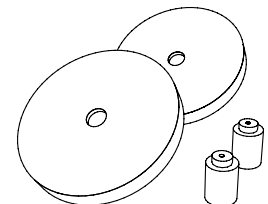
Figure 4

Suspension cables should not impose any lateral force on an existing suspended ceiling.

Components shown above the coupler in Figure 4 are not included in the installation kit.

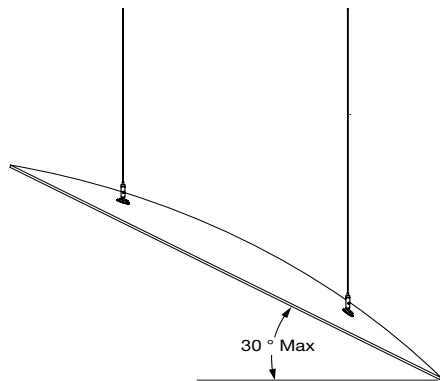
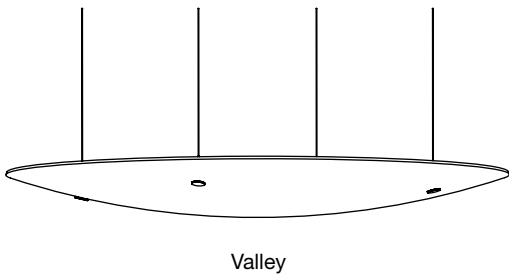
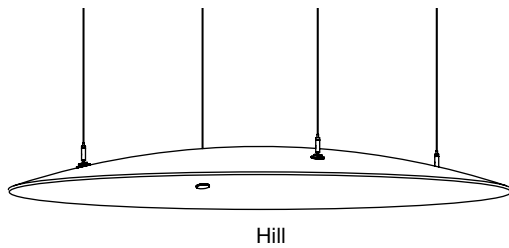
Escutcheon Kit – 7006 – two kits are required per shape

- (2) Collars with set screws
- (2) Escutcheons (2")



3.4 Design Configurations

Shapes can be installed in a hill or valley fashion. They can also be installed at an angle not to exceed 30°.



Angled installation

3.5 Seismic Restraint¹

The International Building Code allows architectural components to swing freely as long as they will not be damaged or cause damage. Shapes suspended individually with aircraft cable will swing no more than 18" in any direction for each shape.

¹ Pendulum reaction information is based on full-scale testing and computer modeling conducted at the Structural Engineering Earthquake Simulation Lab located at the State University of New York at Buffalo.

4 CLEANING

- Avoid wiping the surfaces with abrasive compounds of any type.
- Shapes should be handled with clean gloves/hands to avoid fingerprints.
- Static charges that may build up after removing the protective masking can be removed by wiping the sheet with a cloth dampened with water.
- Lightly dust with a duster or soft, clean cloth first. Keep the cleaning cloth free of grit.
- **CAUTION: Do not allow shape edges to get wet when cleaning the shape surface. This would damage the shape and void the product warranty.**

MORE INFORMATION

For more information, or for an Armstrong representative, call 1 877 ARMSTRONG.

For complete technical information, detail drawings, CAD design assistance, installation information, and many other technical services, call TechLineSM at 1 877 ARMSTRONG or FAX 1 800 572 TECH.

For the latest product selection and specification data, visit armstrong.com/infusions.

All trademarks used herein are the property of AWI Licensing Company and/or its affiliates
© 2014 AWI Licensing Company • Printed in the United States of America

BPLA-298018-1014



CEILING SYSTEMS