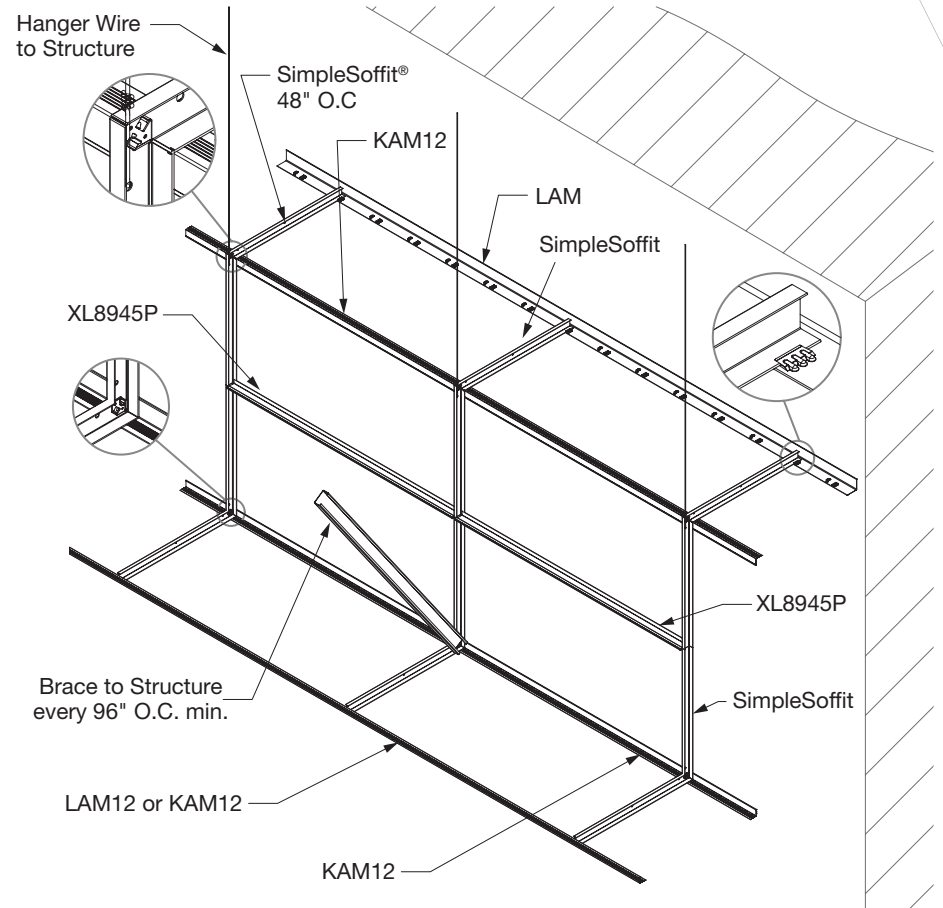
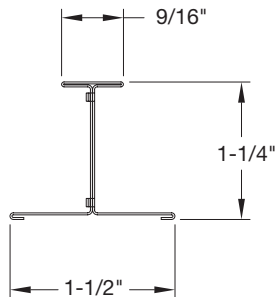


SIMPLESOFFIT® Soffit Framing System

Assembly and Installation Instructions

1. SYSTEM OVERVIEW

SimpleSoffit® is a prefabricated grid framing system that quickly and easily snaps together into an interior soffit allowing for a faster, more accurate framing installation. This new framing system reduces time and labor associated with cutting and measuring the framing members.



1.1 Material Handling/Storage

Product requires proper handling. Please transport cartons supporting the product so it doesn't bend or twist. *(Fig 1)*

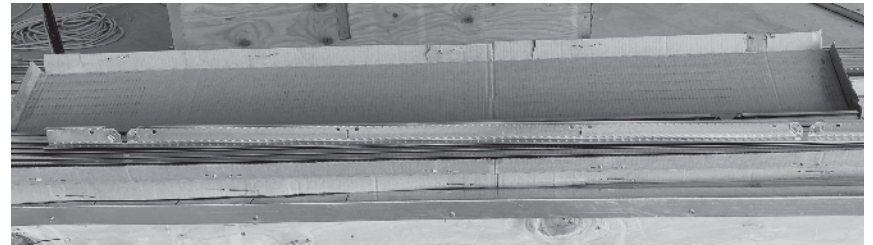
For storage, please store main beams in carton on a flat rigid surface.

Opening the carton:

While the carton is on a flat rigid surface, cut the long edge of the carton to reveal the product inside *(Fig 2)*. Once carton is opened remove product from carton and take care that product stays straight until clicking together. *(Fig 3)*



(Fig 1)



(Fig 2)



(Fig 3)

1.2 Folding and Clicking SimpleSoffit®

Keep the product flat until ready to fold and click together. (Fig 4)

When folding the mains, ensure the proper alignment while clicking together. Make sure each opposing Click Notch passing each other on the right for proper locking with an audible click. (Fig 5)

The click confirms the Click Notch locked. Please note, a screw may be needed in certain construction situations depending on the size, shape, and condition of the soffit (Fig 6). For assistance, contact your Armstrong® Ceilings Installation Representative. Inquire with your Technical rep.

Install SimpleSoffit frames in the space with Armstrong Drywall Grid cross tees.

Standard SimpleSoffit main spacing is 48" O.C. And maybe up to 72" O.C. depending on the loading condition. Please consider loading when determining if 24", 36", 48", 60", or 72" cross tees should be used.

Product should be braced to structure as needed or 96" O.C.

1.3 Assembling with SimpleSoffit® Screw Notch

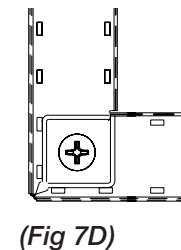
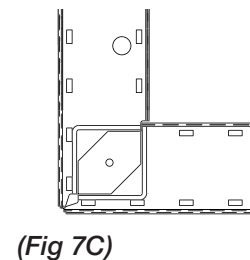
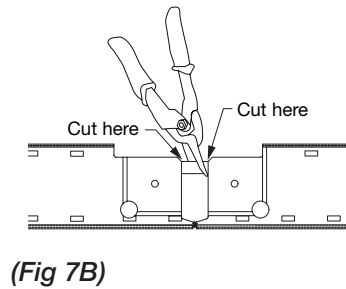
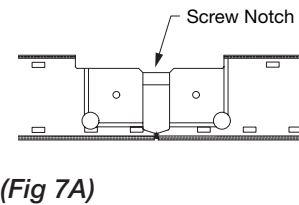
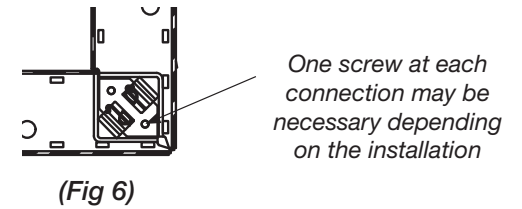
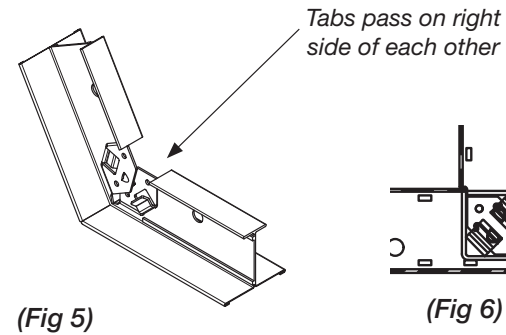
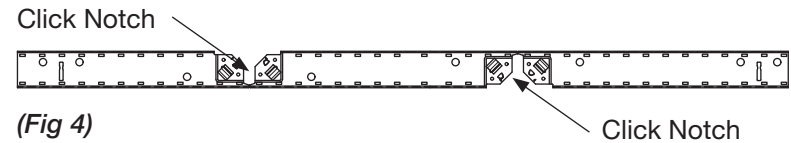
When folding SimpleSoffit main beams with bend dimensions tighter than the minimum achievable with the Click Notch (see 1.8), assemble using the SimpleSoffit Screw Notch. (Fig 7A, 7B, 7C and 7D)

The Screw Notch allows tighter bend dimensions; HOWEVER, a screw must be added once the main beam is folded.

Use snips to make two cuts as shown in (Fig 7B). Once cuts are made, fold together with tabs passing to the right side of one another (Fig 7C).

Finally, use #8 panhead screw to secure Screw Notch assembly. (Fig 7D)

NOTE: For additional information on minimum bend dimensions, see Section 1.8 Product Considerations and Capabilities, page 8.



1.4 System Installation

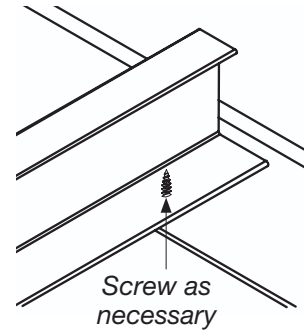
Install SimpleSoffit® frames in the space using Armstrong Drywall Grid cross tees and KAM or LAM.

Connect SimpleSoffit mains to the KAM (Fig 8) or LAM (Fig 9) as shown.

Standard SimpleSoffit main spacing is 48" O.C. Product can be spaced up to 72" O.C. depending on the loading condition. Please consider loading when determining if 24", 36", 48", 60", or 72" cross tees should be used. (Fig 10)

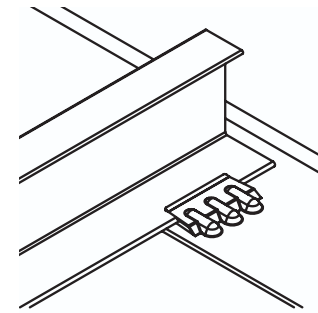
Product should be braced to structure as needed or 96" O.C.

SimpleSoffit with KAM

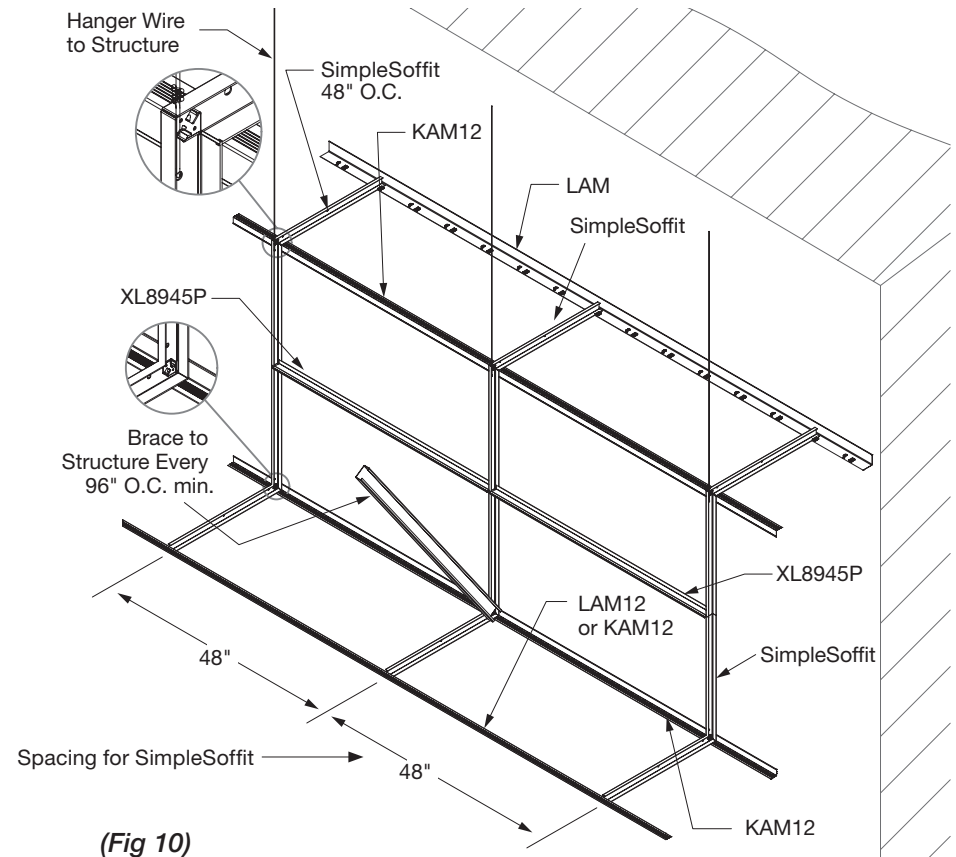


(Fig 8)

SimpleSoffit with LAM



(Fig 9)



(Fig 10)

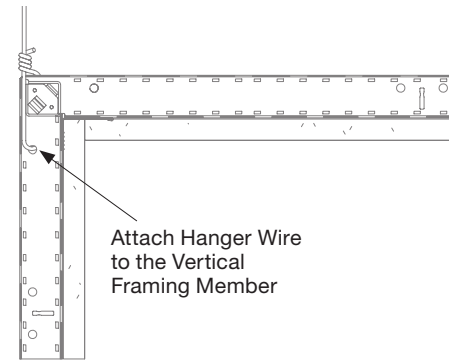
1.5 Product Attachment to structure

Product must be supported to structure via hanger wire or bracing every 48" O.C. along the SimpleSoffit® main beam.

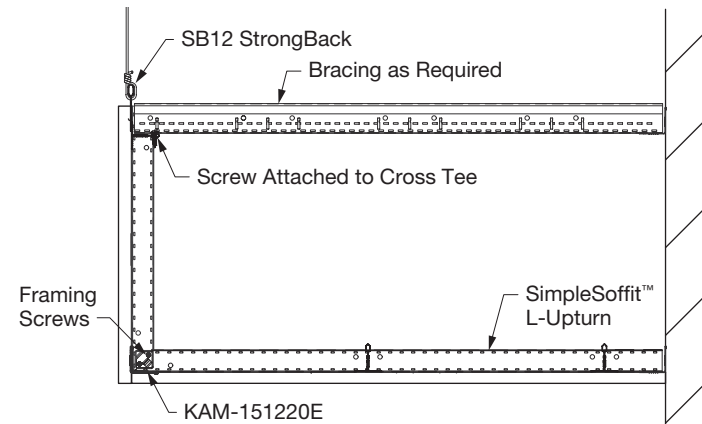
There are many different conditions and applications for SimpleSoffit. Please use this as a guideline. Choose the best option for your installation method.

For suspending soffit framing to structure – installation of wire should be on the vertical framing of the main runner where applicable. **(Fig 11)**

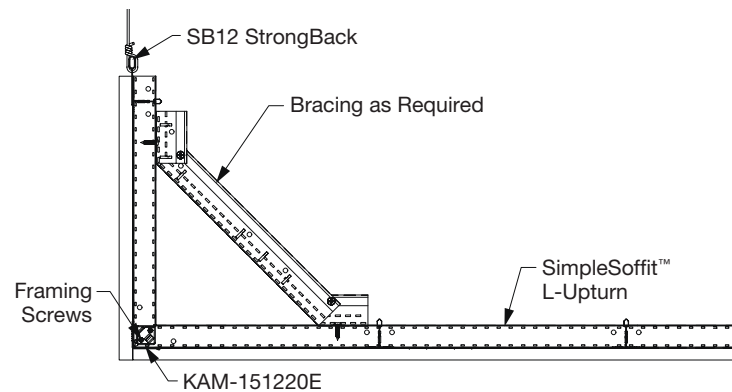
StrongBack can also be used. StrongBack™ screwed to SimpleSoffit framing every 48" is a solution for large plenum drops. **(Figs 12 and 13)**



(Fig 11)



(Fig 12)



(Fig 13)

1.6 Accessories attachments

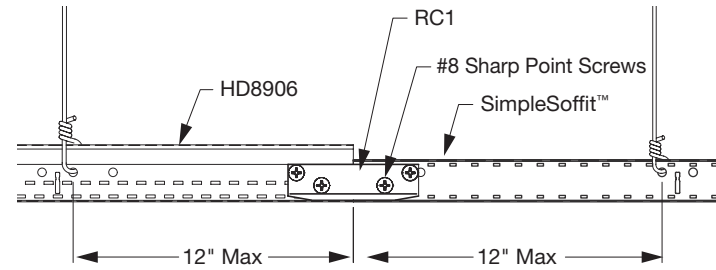
Product can be adapted to work seamlessly with standard Armstrong® Drywall Grid, transitions, light coves, and more.

For attachment to standard drywall grid, use the RC1. (Fig 14)

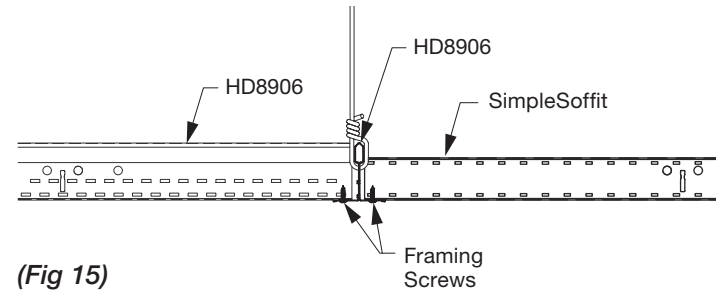
For additional attachment method splicing adjoining drywall main beams, use framing screws attaching components together as shown in (Fig 15).

For attachment to structure via black iron and Channel Beam Support (CBS) hanger for SimpleSoffit® grid. (Fig 16)

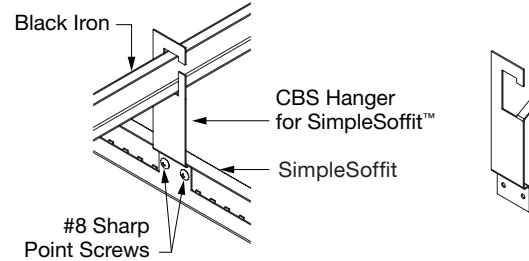
For attachment of Axiom® for light cove and perimeter integration. (Fig 17)



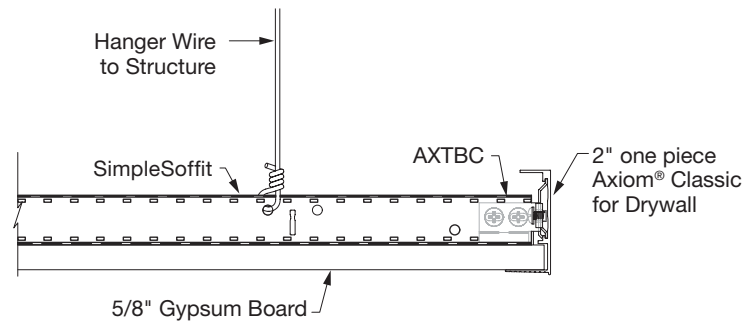
(Fig 14)



(Fig 15)



(Fig 16)



(Fig 17)

1.7 Light Cove installation

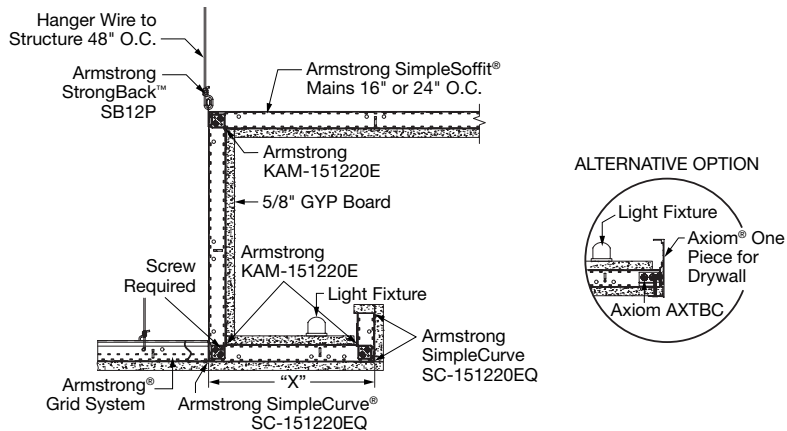
Hanger wires must be installed at upper and lower corners.
SimpleSoffit® main beam spacing may be no more than 48" O.C.
Consider 24" O.C. spacing as loading increases.

See (Fig 18) for SimpleSoffit curved light cove detail and (Fig 19), (Fig 20), and (Fig 21) for SimpleSoffit straight light cove details.

Two (2) min no. 7" x 7/16" framing screws must be installed at corners, (see Fig 9 on pg. 4). Limiting criteria will be deflection at end of cantilever (see Fig 17, where screw required is shown).

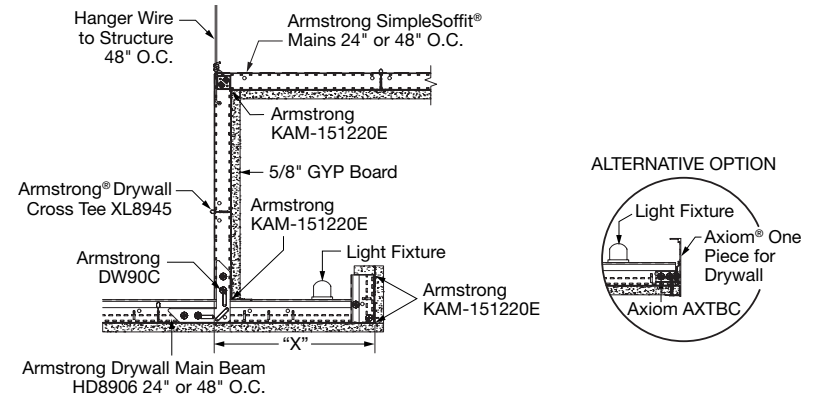
For cantilever distance, see [Technical Guide](#) for specific information.

SimpleSoffit Curved Light Cove Detail



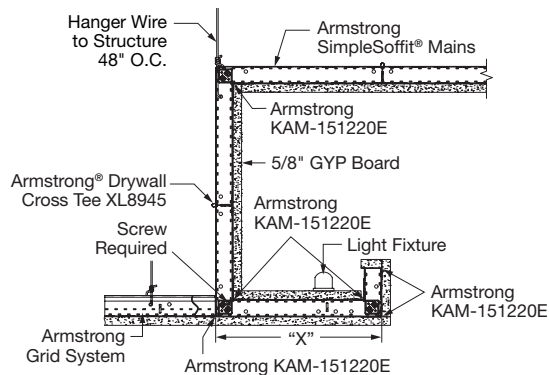
(Fig 18)

SimpleSoffit Straight Light Cove Detail



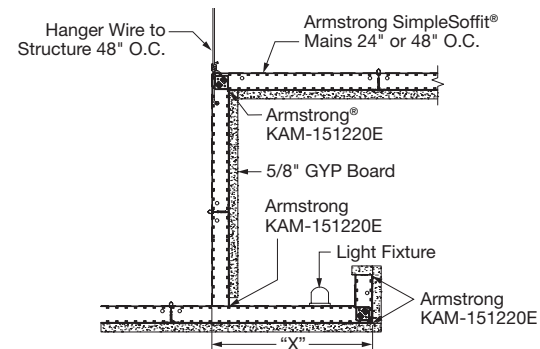
(Fig 20)

SimpleSoffit Straight Light Cove Detail



(Fig 19)

SimpleSoffit Straight Light Cove Detail



(Fig 21)

1.8 Product Considerations and Capabilities

Factory ends will be a minimum of 5-1/2" from first notch. If installation requires a dimension shorter than 5-1/2", it must be trimmed in the field.

Maximum 6 notches per main beam – combination of 3 bulb notches and 3 face notches. (Fig 22)

See (Fig 23) for the minimum bend dimensions achievable with the Click Notch. See (Fig 24) for the tighter bend dimensions achievable with the Screw Notch.

Maximum 6 rout holes may be placed on a SimpleSoffit® main beam – location to be specified by customer.

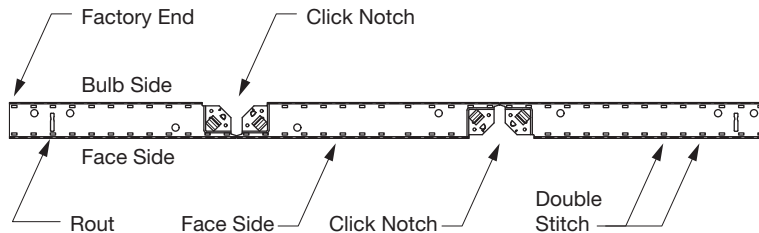
Reference (Fig 23) and (Fig 24) for the shortest distance between notches.

5-1/2" is the minimum distance notches when face is oriented outward. (Fig 23) 3-5/8" is the minimum distance that can be achieved with the Screw Notch feature, but it must have #8 pan head screws at each corner.

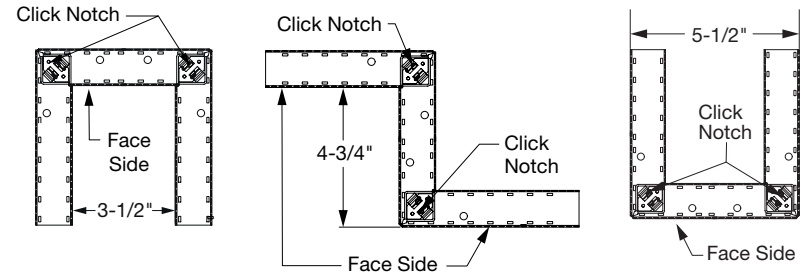
4-3/4" is the minimum distance between two notches with the bend and click feature. 3" is the minimum distance that can be achieved with the ScrewNotch feature, but it must have #8 pan head screws at each corner.

NOTE: Cross tee height is slightly taller than SimpleSoffit main beam height. (Fig 25)

Armstrong [AcoustiBuilt® Seamless Acoustical Ceiling System](#) can be installed on soffits of any size or angle. For acoustical benefit, AcoustiBuilt is recommended on soffits 36" or greater in height. Standard Drywall is recommended for soffits less than 36".



(Fig 22)

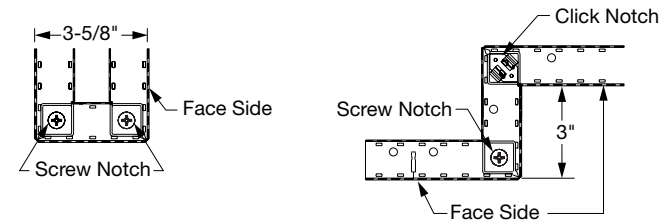


NOTE: This is the folded result of 2 face notches placed 5-1/2" apart – minimum spacing for the dies

NOTE: 4-3/4" is the minimum distance between Click Notches

NOTE: This is the folded result of bulb notches placed 5-1/2" apart – minimum spacing for the dies

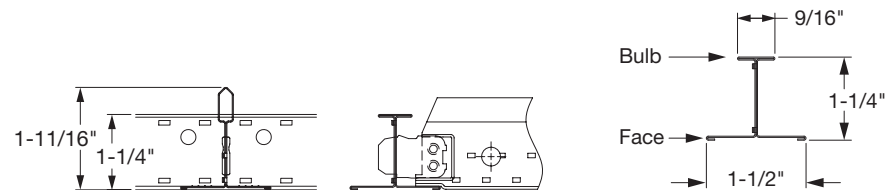
(Fig 23)



(Fig 24)

NOTE: 3-5/8" is the minimum distance that can be achieved with the ScrewNotch feature, but it must have #8 pan head screws at each corner.

NOTE: 3" is the minimum distance that can be achieved with the ScrewNotch feature, but it must have #8 pan head screws at each corner.



(Fig 25)

MORE INFORMATION

For more information, or for an Armstrong Ceilings representative, call 1 877 276-7876.

For complete technical information, detail drawings, CAD design assistance, installation information, and many other technical services, call TechLine customer support at 1 877 276-7876 or FAX 1 800 572-TECH.

All trademarks used herein are the property of AWI Licensing LLC and/or its affiliates.
© 2023 AWI Licensing Company Printed in the United States of America

BPLA-292252-223

Armstrong®
CEILING & WALL SOLUTIONS