

TECHZONE® Ceiling Systems Optima® and MetalWorks™ for Chilled Beams

Installation Instructions

1. GENERAL

Chilled beams are an energy efficient way to cool spaces using piped chilled water. Price Chilled Beam fixtures, now compatible with TechZone ceiling systems, are narrower than standard chilled beams, and can be neatly integrated into our 12" wide technical panel.

The Price ACBL12 (1-way & 2-way discharge) active chilled beam series comes in 4' and 8' lengths. Lengths also range from 2' to 12' in 1' increments.

Recommended list of install components needed (not provided by Armstrong Ceilings or Price Industries)

Qty	Item
2	24" x 1-5/8" Unistrut
4	3/8"-16" x 6" Studs
4	3/8"-16 Nuts
4	3/8" Lock Washers
8	3/8"-16 Hex Nuts
8	3/8" Flat Washers

2. INSTALLATION CONSIDERATIONS

Chilled beams should be installed using flexible hoses.

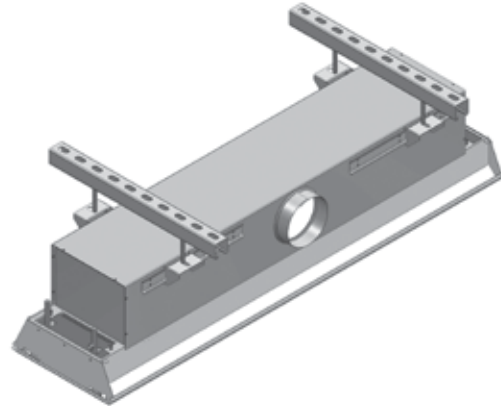
When the mechanical contractor installs the chilled beam, it must be located within +/- 2" of the technical zone location. The unistrut must be mounted 14" above the finished ceiling height where it will be installed.

3. STEP ONE – MECHANICAL CONTRACTOR

Install unistrut to structure with appropriate support to carry the load of the chilled beam.

4. STEP TWO – MECHANICAL CONTRACTOR

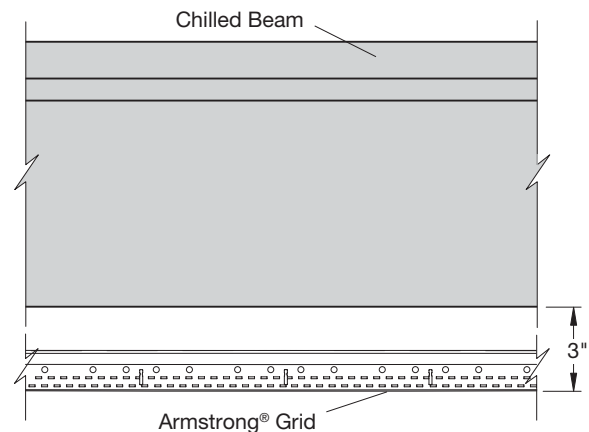
Fasten the 6" threaded rod stud to the unistrut with a unistrut nut. Each unistrut will have two 6" threaded rod studs approximately 12" apart.



5. STEP THREE – MECHANICAL CONTRACTOR

Chilled beam should be installed 3" above the finished ceiling elevation to allow grid installation. Connections should be made using flexible hoses.

NOTE: If hard connections are used, the connections should be made in Step Six after the chilled beam is lowered into the ceiling grid and is in its final position.



6. STEP FOUR – CEILING CONTRACTOR

After the mechanical contractor installs the chilled beam, the ceiling contractor can install the grid.



7. STEP FIVE – MECHANICAL CONTRACTOR

Adjust the position of the chilled beam to align with the grid opening. Loosen the support connections. Take the weight of the chilled beam off the hangers. Shift the 6" stud or slide the bracket as needed. Retighten connectors. Once the grid is installed, adjust the hex nuts and lower the chilled beam into the grid.

Adjust the hex nuts to lower the chilled beam into the grid. Lower until the tegular edge of the diffuser just touches the grid flange.



NOTE: The weight of the chilled beam must be supported by the hanger kit and NOT the ceiling grid.

NOTE: Lock nuts can be difficult to use with the required 3" adjustment. We recommend using a hex nut, washer, and lock washer with locking washer on the top and bottom of bracket. (see above photo)

8. STEP SIX – CEILING CONTRACTOR

Once the chilled beam is lowered into the grid, the ceiling panels can be installed.

NOTE: If hard connections are used, the connections should be made AFTER the chilled beam is lowered into the ceiling grid and is in its final position prior to installing the ceiling panels.



PRICE

Price Industries Inc.

Main Office

Phone: (770) 623-8050

Email: info@priceindustries.com

Chilled Beams

Phone: (204) 654-5613 ext. 3

Email: Beamteam@priceindustries.com

Office Location

2975 Shawnee Ridge Court NW

Suwanee, Georgia 30024

MORE INFORMATION

For more information, or for an Armstrong Ceilings representative, call 1 877 276 7876.

For complete technical information, detail drawings, CAD design assistance, installation information, and many other technical services, call TechLine customer support at 1 877 276 7876 or FAX 1 800 572 TECH.

For the latest product selection and specification data, visit armstrongceilings.com/techzone.

Inspiring Great Spaces® is a registered trademark of AFI Licensing LLC; Price® is a registered trademark of Price Industries Limited; All other trademarks used herein are the property of AWI Licensing LLC and/or its affiliates.

© 2018 AWI Licensing LLC • Printed in the United States of America

BPLA-297750-1218

Armstrong[®]
CEILING SOLUTIONS