

VIDASHIELD UV24™ Surface Mount Kit

Assembly and Installation Instructions

1. DESCRIPTION

1.1 The VidaShield UV24™ Surface Mount Kit is a perimeter trim system designed to create ready-to-assemble installations for surface-mounted VidaShield units.

1.1.1. Included in the kit are:

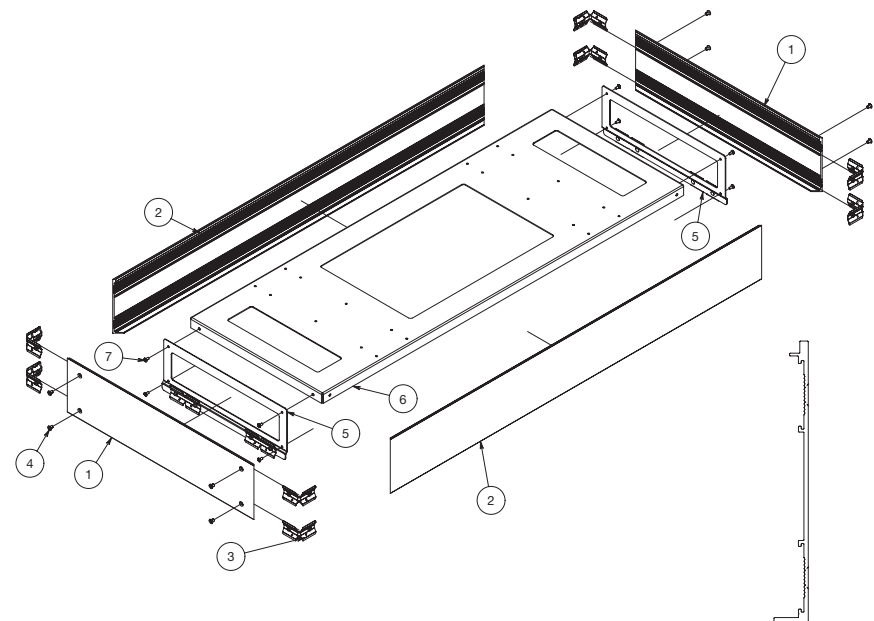
- Axiom® Interlude® trim, with factory-cut end details
- Axiom splices to join sections of Axiom trim
- Trim kit brackets to attach the Axiom trim to VidaShield unit
- Hardware to attach trim kit brackets to VidaShield unit
- Threadlocker to secure trim kit bracket hardware

NOTE: Kits contain all of the components required to construct and hang a complete cloud except for the VidaShield unit and fastening hardware.

KIT ITEM #: 52SURMK PARTS LIST (Fig 1)			
Item	Qty	Item Number	Description
1	2	AXLD6	6" Axiom Interlude
2	2	AXLD6	6" Axiom Interlude
3	8	AXSPICE2	Splice Plate
4	8	–	1/4-20 X 3/8 PFH WH SCREWS
5	2	–	Trim Kit Bracket
6	1	–	Mounting Plate
7	8	–	10-32 X 3/8 PPH ZN SCREWS
8	1	–	BLU THRDLCR 2ML TUBE

2. SCOPE

2.1 The scope of these installation instructions is for the assembly and installation of the VidaShield Surface Mount Kit and attachment of the VidaShield UV24 to the Surface Mount Kit only. For all other information, please see the VidaShield UV24 Installation Guide.



(Fig 1)

3. INSTALLATION REQUIREMENTS

3.1 Important Notice

3.1.1 Failure to follow these instructions could result in damage or injury of property and/or body.

3.1.2 Cut-resistant gloves should be worn to avoid potential cut or laceration injuries due to the nature of the sharp mitered edges of the aluminum trim.

3.2 Existing Ceiling Structure

3.2.1 It is the sole responsibility of the installer to confirm that the existing ceiling structure is suitable to support any imposed loads (gravity, seismic, impact, etc.) from the Surface Mount Kit and VidaShield UV24™ unit for any building design category.

3.3 Component Anchorage and Restraint

3.3.1 Please consult with the building code professional having jurisdiction over the project to determine appropriate anchorage and restraint requirements for this installation. Anchorage and restraints are not included in this kit.

3.4 Sprinkler Systems

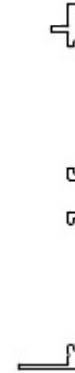
3.4.1 The VidaShield UV24 Surface Mount Kit, as with other architectural features located in the ceiling plane, may obstruct or skew the existing or planned fire sprinkler water distribution pattern, or possibly delay the activation of the fire sprinkler or fire detection system. Designers and installers are advised to consult a fire protection engineer, NFPA 13, and their local codes for guidance on the proper installation techniques where fire detection or suppression systems are present.

4. INSTALLATION

IMPORTANT NOTE: The Axiom® Interlude® trim is to be installed with the flange side down. (Fig 2)

4.1 Electrical Routing

4.1.1 Prior to installing the mounting plate, consider where the power input resides. The mounting plate has large cutouts to accommodate routing. Do not modify the mounting plate for wire routing. There will be approximately 1-1/2" gap between the ceiling and the VidaShield unit once installed.



(Fig 2)

4.2 Attaching Mounting Plate to Structure

4.2.1 The mounting plate includes a variety of pre-drilled holes to accommodate a variety of framing construction methods and VidaShield unit orientations. A minimum of 6 attachment points, evenly distributed to ceiling structure, is required. In addition, each attachment fastener must have a minimum pull-out rating of 145 lbs. in tension and 325 lbs. in shear with the substrate in which it will be attached. If needed, additional 3/16" dia. holes can be added to meet the requirements above. (Fig 3)

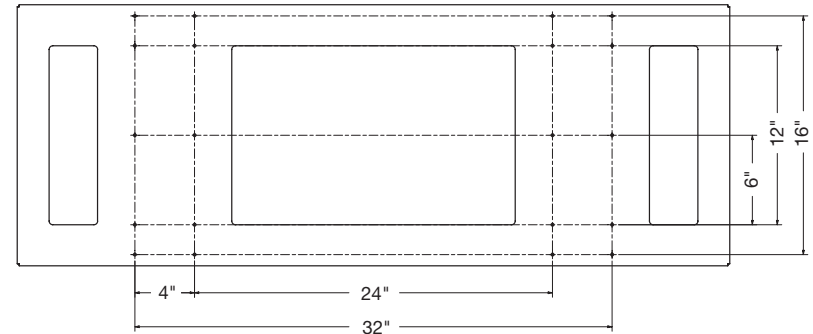
4.3. Attach Trim Kit Brackets to VidaShield Unit

4.3.1 Locate the trim kit brackets, machine screws, and the included blue threadlocker. Apply the blue threadlocker to the machine screws, then fasten the brackets to both ends of the VidaShield unit. (Fig 4)

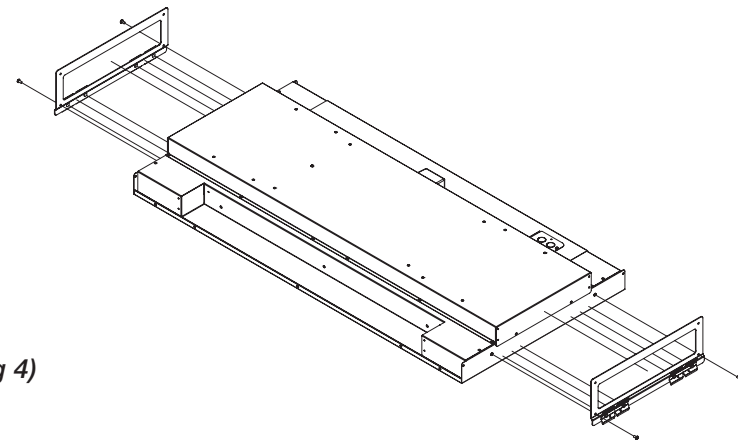
4.4. Hang VidaShield Unit

4.4.1 Prepare for hanging the VidaShield unit by pre-applying the blue threadlocker to the remaining machine screws.

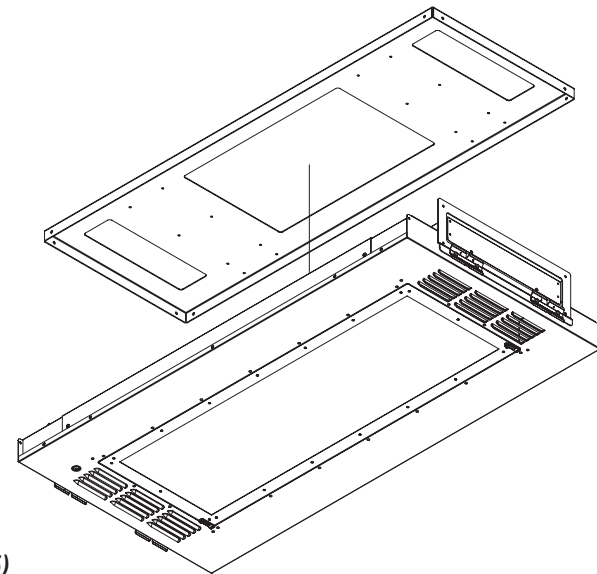
4.4.2 Raise the VidaShield unit/trim kit bracket assembly to the mounting plate (Fig 5), ensuring that the trim kit brackets are located on the outside flanges of the mounting plate and that the electrical wire is accessible.



(Fig 3)



(Fig 4)



(Fig 5)

4.4.3 Secure the trim kit brackets to the mounting plate with the machine screws referenced in 4.4.1. (Fig 6)

NOTE: The mounting plate has integrated receiving hardware for convenience.

4.4.4 See the VidaShield UV24™ Installation Guide for wiring instructions and additional information.

4.5. Prepare Axiom® Trim for Installation

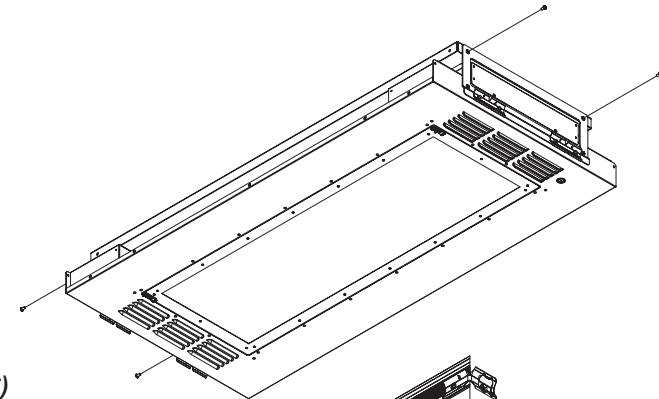
4.5.1 Locate the Axiom trim and splice plates. It will be required to pre-assemble the Axiom trim at ground level on a clean working surface to locate the splice plates prior to installing on the VidaShield unit.

4.5.1.1 First, remove the screw and locking plate from one side of the splice plates.

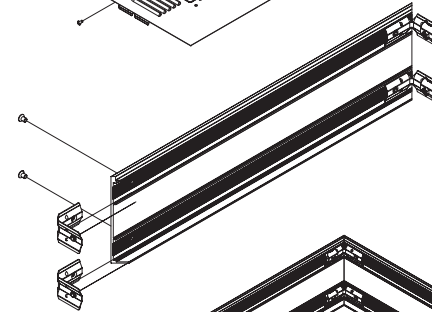
4.5.1.2 Next, on the Axiom trim, there are upper and lower channels in which to insert the splice plates. Install two splice plates on both sides of each short trim using the included pre-painted flat head screws by installing the screw through the face side of the trim into the backside of the splice plate, being careful to avoid scratching the pre-painted screws. Then bend the splice to 90°. For ease of assembly, confirm 90° bend with framing square. (Fig 7)

4.5.1.3 Then slide the splice plates into the channels of the long trim pieces. Tighten the hex head screws to secure and adjust as necessary to ensure there are no gaps at the corners. (Fig 8)

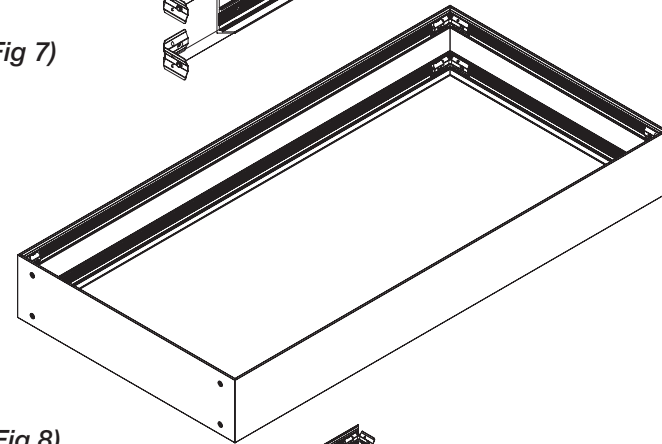
4.5.2 Once no gaps are present, remove the pre-painted flat head screws from the SHORT TRIM ONLY and disassemble. (Fig 9)



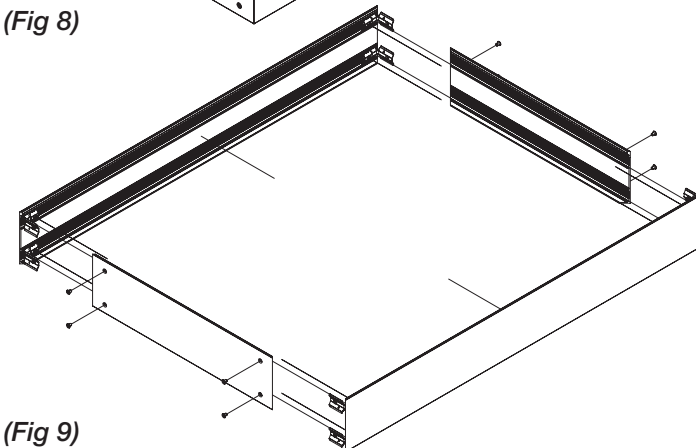
(Fig 6)



(Fig 7)



(Fig 8)



(Fig 9)

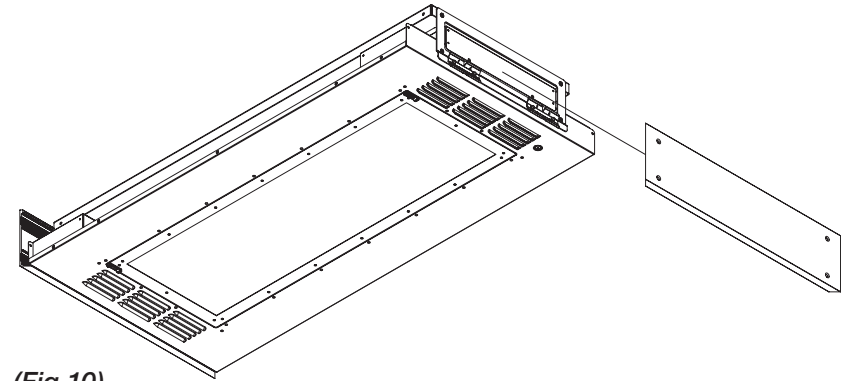
4.6 Axiom® Trim Installation

4.6.1 Slide short trim pieces into the splice plates attached to the trim kit brackets previously attached to the VidaShield™ unit. The Axiom trim should be oriented such that the acoustical flange is face down. Utilize the lower channel on the trim. *(Fig 10)*

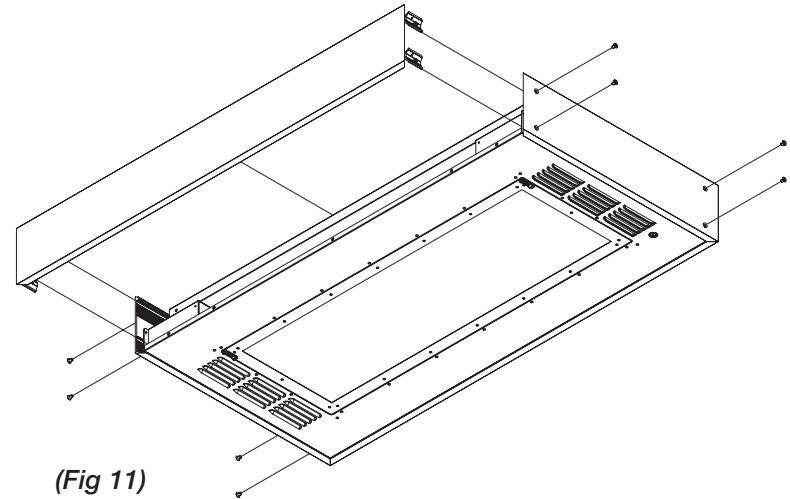
4.6.2 Insert the long trim pieces with pre-installed splice plates into the short trim pieces, then secure the assembly using the pre-painted flat head screws. *(Fig 11)*

4.7 Final Checks For Quality

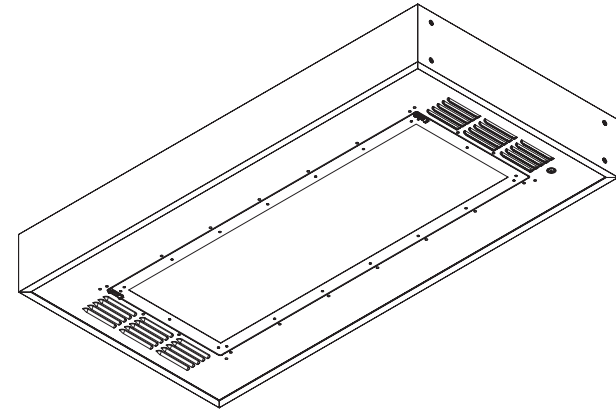
4.7.1 Check for scratches or any unwanted discoloration. If present, use the Armstrong® touch-up paint to conceal any damage or cover the screws for a more uniform matte finish. *(Fig 12)*



(Fig 10)



(Fig 11)



(Fig 12)

MORE INFORMATION

For more information, or for an Armstrong Ceilings representative, call 1 877 276-7876.

For complete technical information, detail drawings, CAD design assistance, installation information, and many other technical services, call TechLine customer support at 1 877 276-7876 or FAX 1 800 572-TECH.

VidaShield UV24™ is the property of Medical Illumination International, Inc
All trademarks used herein are the property of AWI Licensing LLC and/or its affiliates.
© 2022 AWI Licensing Company Printed in the United States of America

BPLA-293189-722

