

VIDASHIELD™ Exposed Trim Kit

Assembly and Installation Instructions

1. DESCRIPTION

1.1 The VidaShield Exposed Trim Kit is a perimeter trim system designed to create ready-to-assemble installations for independently suspended VidaShield units. (Fig 1)

1.1.1. Included in the Kit are:

- Axiom® Interlude® Trim, with factory-cut end details
- Aircraft cable, cut to 10' length, and accessories
- Axiom splices to join sections of Axiom
- Trim Kit Brackets to attach the Axiom trim to VidaShield unit
- Hardware to attach trim kit brackets to VidaShield unit
- Threadlocker to secure trim kit bracket hardware

NOTE: Kits contains all of the components required to construct and hang a complete cloud except for the VidaShield unit.

2. INSTALLATION REQUIREMENTS

2.1 Important Notice

2.1.1 Failure to follow these instructions could result in damage or injury of property and/or body.

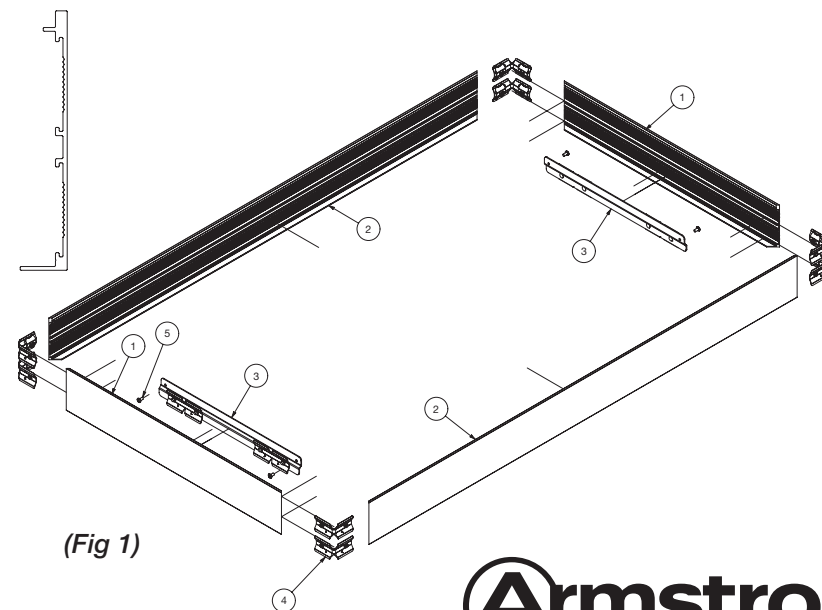
2.2 Existing Ceiling Structure

2.2.1 It is the sole responsibility of the installer to confirm that the existing ceiling structure is suitable to support any imposed loads from the Surface Mount Kit and VidaShield unit for any building design category.

2.3 Component Anchorage and Restraint

2.3.1 Most building codes require non-structural building components to be restrained. Armstrong also recommends anchorage and restraint in accordance with local building code requirements. Please consult with the building code professional having jurisdiction over the project to determine appropriate anchorage and restraint requirements for this installation. Anchorage and restraints are not included in this kit.

KIT ITEM # 52EXPTK Parts List			
Item	Qty	Item Number	Description
1	2	AXLD4	4" Axiom® Interlude®
2	2	AXLD4	4" Axiom Interlude
3	2	N/A	Trim Kit Bracket
4	8	AXSPLICE2	Axiom Splice Plate
5	4	N/A	10-32 x 3/8 PPH ZN Screws
6	1	N/A	Blu THRDLCR 2ml Tube
7	4	AC1210	Aircraft Cable 10' Length
8	4	ACHC	Quick Loop Connectors



(Fig 1)

2.4 Sprinkler Systems

2.4.1 The VidaShield™ Exposed Trim Kit, as with other architectural features located in the ceiling plane, may obstruct or skew the existing or planned fire sprinkler water distribution pattern, or possibly delay the activation of the fire sprinkler or fire detection system. Designers and installers are advised to consult a fire protection engineer, NFPA 13, and their local codes for guidance on the proper installation techniques where fire detection or suppression systems are present.

3. INSTALLATION

IMPORTANT NOTE: The Axiom® Interlude® trim is to be installed with the flange side down. (Fig 2)

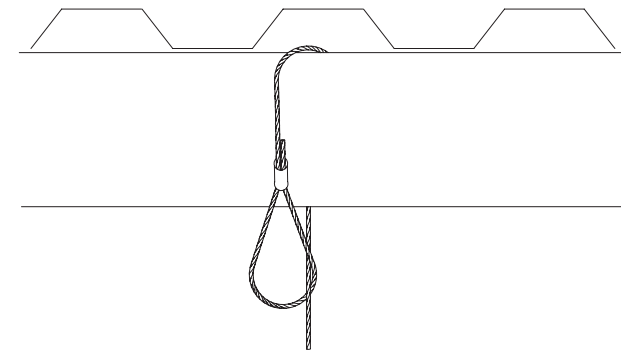


(Fig 2)

3.1 Attaching Hanging Cables to Structure

3.1.1 Hanging cables (item AC1210) are to be located at each corner of the VidaShield unit (2' x 4' pattern).

3.1.2 Hardware for the attachment of the cable to the building structure is not provided. Cables are fitted with a loop at one end that is to be cinched to mounting hardware appropriate for the surface to which it is attached. (Fig 3)

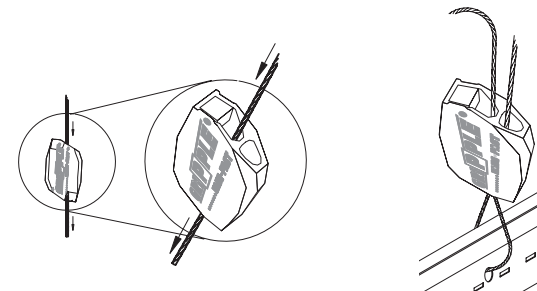


(Fig 3)

3.2 Hang Vidashield Unit

3.2.1 Attach the VidaShield unit to hanging cables using the adjustable “Quick Loop” connectors (item ACHC) provided with the kit. Insert the cable through one end of the connector and then through the hanger wire hole on the VidaShield unit. Slide the cable back through the “Quick Loop” connector and adjust to the correct elevation. Follow the instructions provided with the connectors if it becomes necessary to release the cable from the connector. (Fig 4)

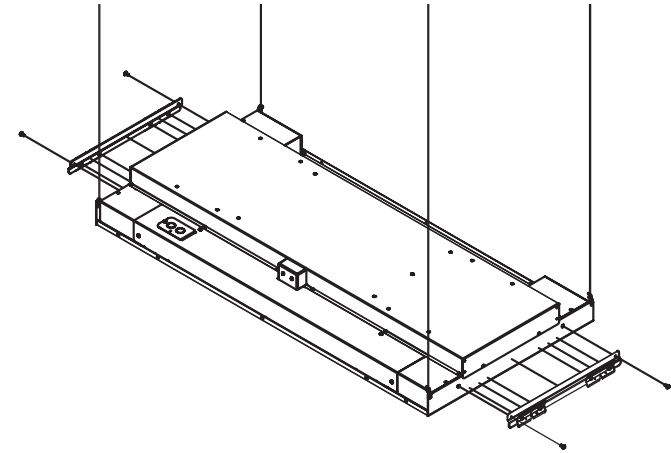
3.2.2 See VidaShield Installation and Operating Manual for electrical wiring details.



(Fig 4)

3.3 Attach Trim Kit Brackets to Vidashield Unit

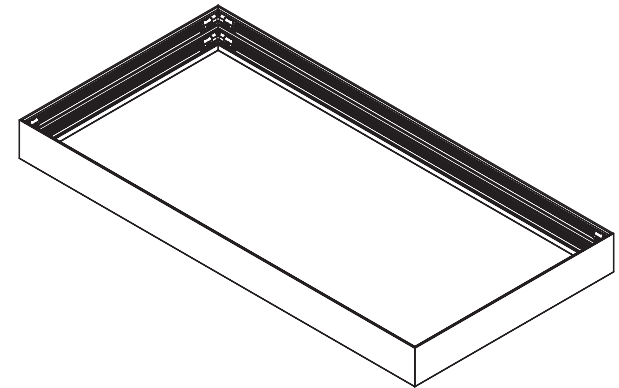
3.3.1 Locate the trim kit brackets, machine screws, and included blue threadlocker. Apply the blue threadlocker to the machine screws, then fasten the brackets both ends of the VidaShield™. (Fig 5)



(Fig 5)

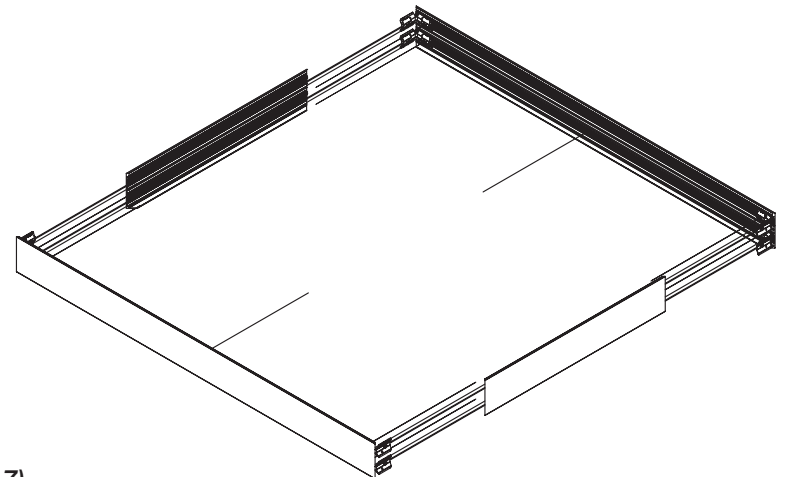
3.4 Prepare Axiom Trim for Installation

3.4.1 Locate the Axiom trim and splice plates. You may find it helpful to pre-assemble the Axiom trim on the ground to locate the splice plates prior to installing on the VidaShield unit. On the Axiom trim, there are upper and lower channels in which to insert the splice plates. Install two splice plates on both sides of one long Trim, then bend the splice to 90°. Then slide the splice plates into the channels of the short trim pieces. Tighten the hex head screws to secure and adjust as necessary to ensure there are no gaps at the corners. (Fig 6)



(Fig 6)

3.4.2 Once no gaps are present, loosen the hex head screws securing the short trim ONLY, and disassemble. (Fig 7)



(Fig 7)

3.5 Axiom® Trim Installation

3.5.1 Slide short trim pieces into the splice plates attached to the trim kit brackets previously attached to the VidaShield™ unit. The Axiom trim should be oriented such that the acoustical flange is face down. Utilize the lower channel on the trim. *(Fig 8)*

3.5.2 Insert the long trim pieces with pre-installed splice plates into the short trim pieces and tighten screws with a 3/8" open box wrench, ensuring all corners meet with no gaps. If gaps are present, adjust the corner splice plates until no gaps are visible. *(Fig 9)*

NOTE: The upper splice plate screw may need to be removed to tighten the lower screw.

3.6 Final Checks for Quality

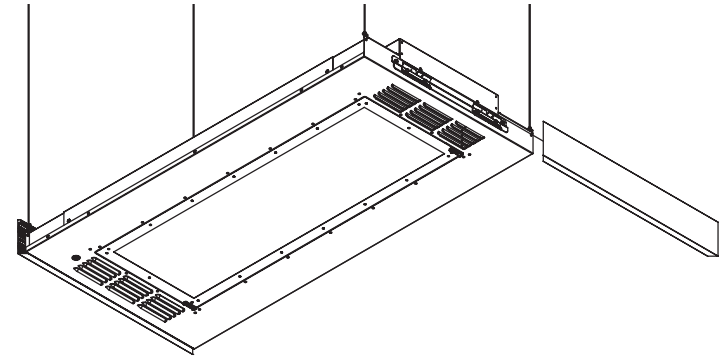
3.6.1 Check for scratches or any unwanted discoloration. If present, use the Armstrong touch-up paint to conceal any damage or cover the screws for a more uniform matte finish. *(Fig 10)*

3.7 Seismic Applications

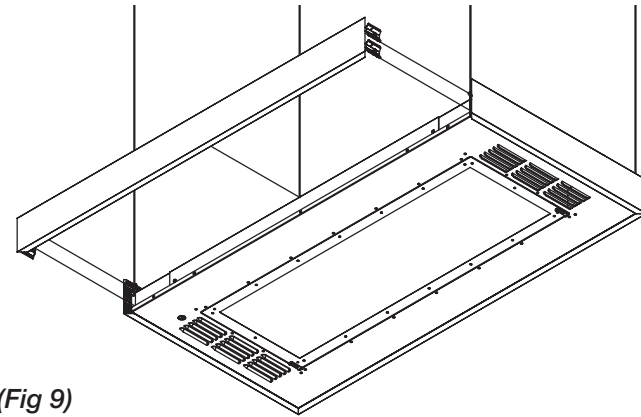
3.7.1 Restraint for VidaShield units installed on projects, where anticipated seismic activity will be light (IBC seismic design categories A & B), can be accomplished by installing a pair of crossed cables from each edge of the assembly. These cables should attach to the hanger wire holes on the VidaShield unit and be sloped no more than 45° from horizontal.

3.7.2 In areas where anticipated seismic activity will be moderate to severe, the crossed cables may be replaced with a rigid bracing system more appropriate for the forces that will be encountered.

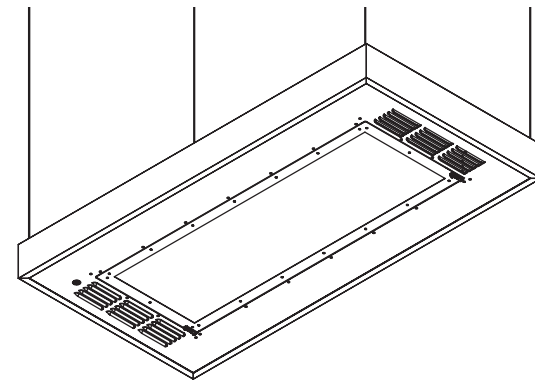
3.7.3 There is no minimum required bracing as long as VidaShield units are restrained to meet the Seismic Design Category.



(Fig 8)



(Fig 9)



(Fig 10)

MORE INFORMATION

For more information, or for an Armstrong Ceilings representative, call 1 877 276-7876.

For complete technical information, detail drawings, CAD design assistance, installation information, and many other technical services, call TechLine customer support at 1 877 276-7876 or FAX 1 800 572-TECH.

All trademarks used herein are the property of AWI Licensing LLC and/or its affiliates.
© 2022 AWI Licensing Company Printed in the United States of America

BPLA-293150-422

Armstrong[®]
CEILING & WALL SOLUTIONS