

WOODWORKS® Grille

Integrated Light Connection Clip Assembly and Installation Instructions

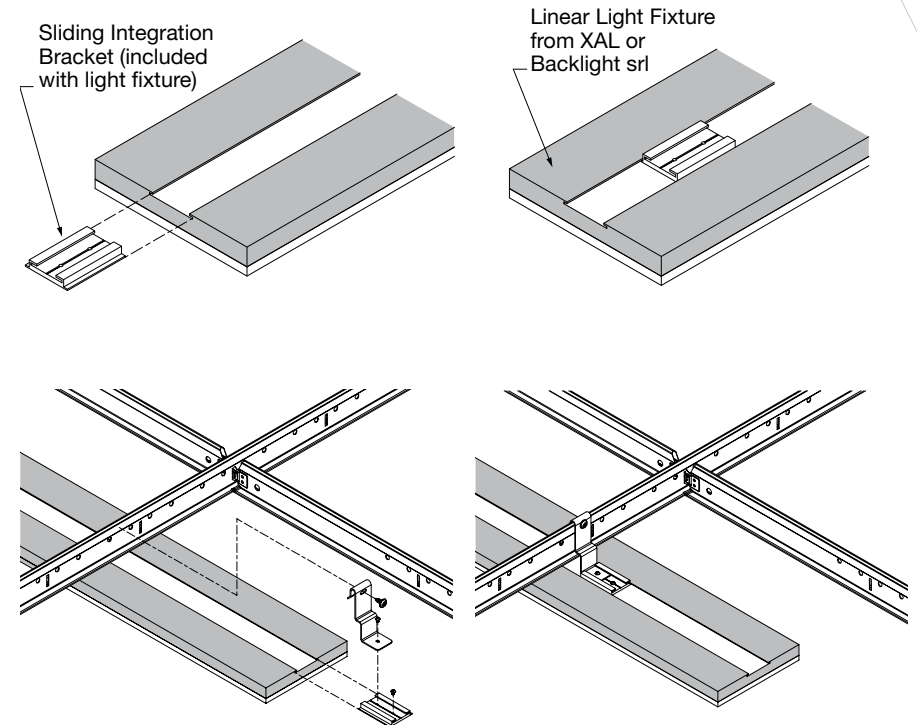
This installation guide is a supplement to the standard WOODWORKS® Grille installation instructions.

1. SOLUTION OVERVIEW

Integrated Light Connection Clips enable installation of Backlight® srl CHIARO light fixture and XAL® PANO Low-Profile Linear Plank light fixture with the specified panel – eliminating the need for modification of the grid system and independent suspension of the light fixture. System ensures the Sliding Integration Bracket is housed in the lighting track, while the Integrated Light Connection Clip slides into and is secured in the Sliding Integration Bracket. The Integrated Light Connection Clip is attached to the Armstrong® Ceiling Heavy Duty Prelude® XL® Suspension System. Continuous and discontinuous lighting layouts are possible with this system.

NOTE: Linear light fixtures and Sliding Integration Bracket are sold by Backlight srl and XAL.

These instructions represent WOODWORKS® Grille panels that have the Backer Only option. No other WOODWORKS Grille panel type should be field modified for use with the Integrated Light Connection Clip.



Installation of this ceiling and integrated lighting solution will require coordination between the ceiling contractor and the electrical contractor. WOODWORKS® Linear Veneered panels with Lighting Integration is a progressive installation, meaning the lights and the ceiling panels must be installed at the same time.

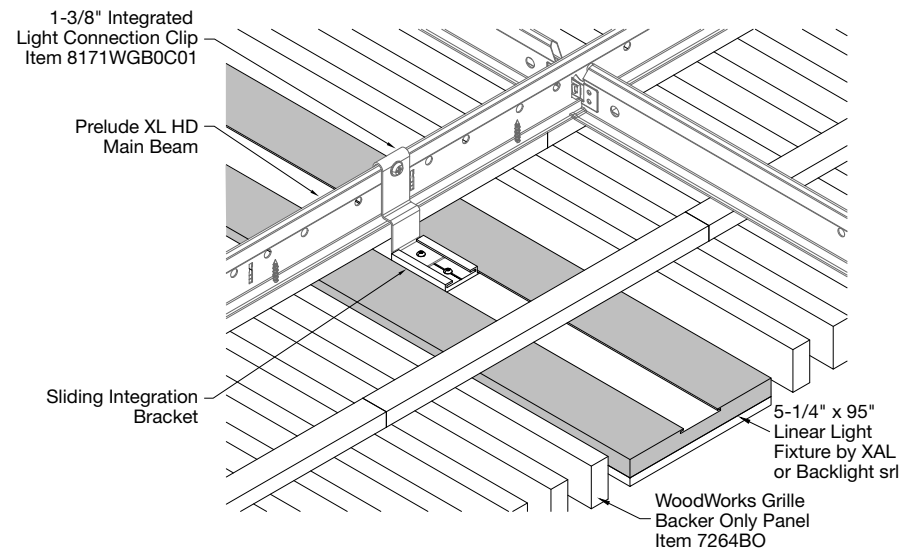
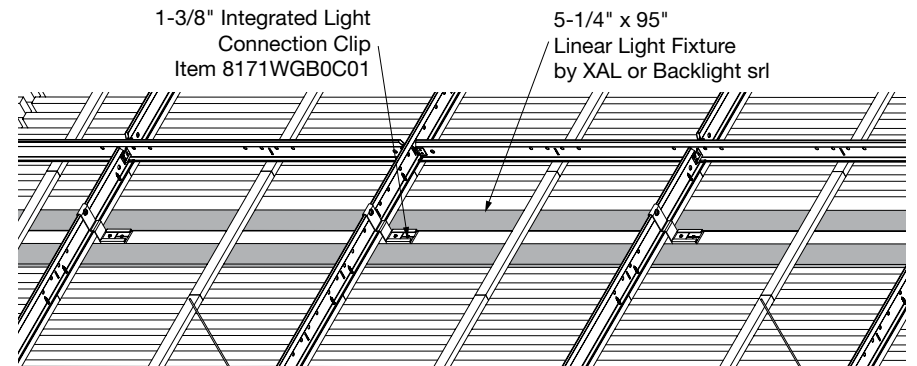
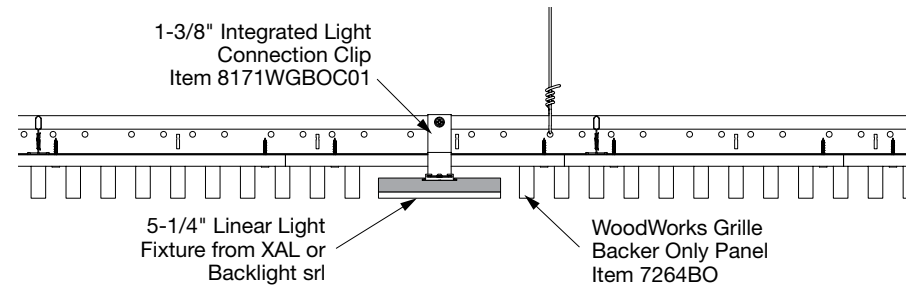
The following installation instructions recommend installation by different trades for the purpose of assigning responsibilities during installation. However, role clarification can be determined on a job-per-job basis. General contractor should work with electrical contractor and ceiling contractor to clearly assign responsibilities.

As with all integrated construction solutions, coordination and collaboration between trades is critical for a successful and efficient installation.

2. DESIGN CONSIDERATIONS

2.1 Lights

- Lights must be supported by attachment to the grid at no more than 2' O.C.
- Lights must be supported within 1' of each end (max cantilever of 12" from nearest support)
- Length of lights are designed to coordinate with the length of panels
- Lights must be installed parallel with linear visual of panels
- Only one light may be installed in a modified panel
- Lights must be installed within field of install and not integrated into cut perimeter panels



2.2 WoodWorks® Grille Panels

- 2", 3-1/4", or 5-1/4" lights may be used
- Reveal between light and slats will coordinate with the reveal from slat to slat
- Modified panels are required to leave outside slats intact (slats along edges cannot be removed)
- When modifying the panels, the entire slat must be removed
- Coordination between ceiling contractor and electrician is required for installation

2.3 Suspension System

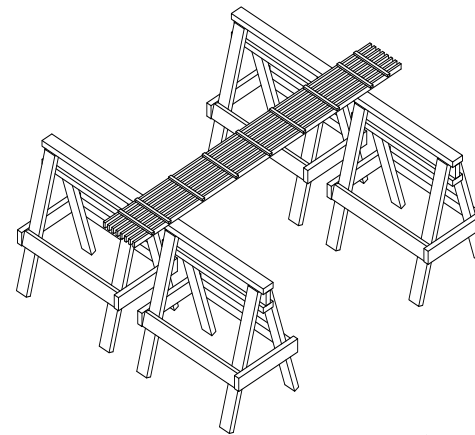
The suspension system does not require modification and must be installed following the WOODWORKS Grille instructions document.

3. PANEL MODIFICATIONS

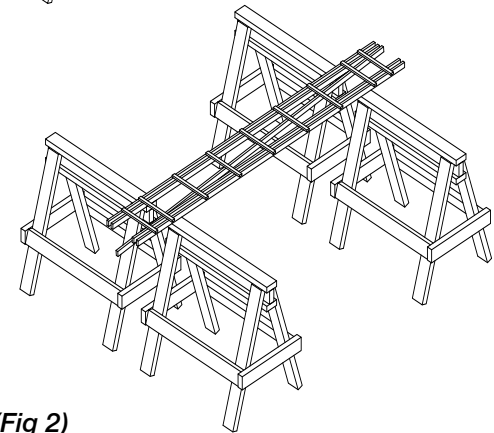
Made-to-order panels are recommended to speed installation. The following installation method uses WOODWORKS Grille panels that have Backer Only panel construction. No other WOODWORKS Grille panel type should be field modified. If Backer & Dowel or Dowel Only panels are required, contact ASQuote@armstrongceilings.com. WOODWORKS Grille panels should be securely fastened to the suspension system with screws.

3.1 Standard Panel Modification – Removing Panel Slats

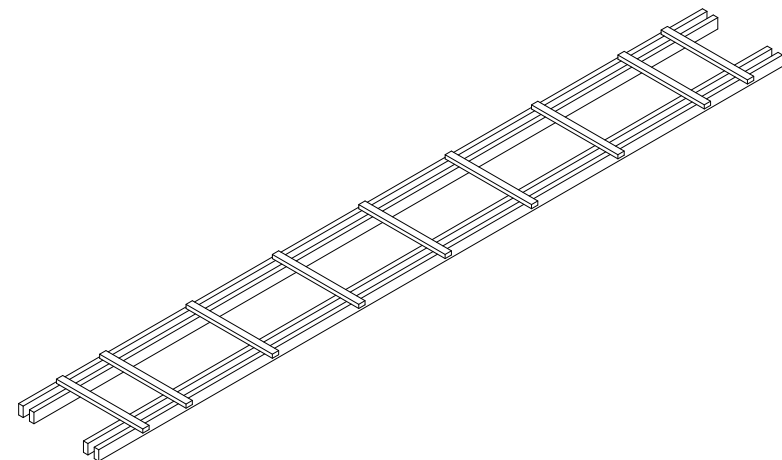
Place the WOODWORKS Grille panel on a set of stand-offs (*Fig 1*). The stand-offs must be taller than the total height of the panel, and the backers should be the only part of the panel in contact with the stand-offs. Determine which slat is to be removed and use a rubber mallet to gently strike the top of the slat (*Fig 2*). Ensure that your stand-offs are secured before attempting to disassemble the stapled slat from the backer. Work your way down the slat gently striking and separating the slat from the panel. Once the slat has fallen off, take care to remove the staples or bend them flush within the backer. Be careful not to damage the backer when removing slats or staples, as the backer is an integral part of the WOODWORKS Grille panel structure. Damaging the backer can reduce structural integrity of the panel.



(Fig 1)



(Fig 2)



Modified Panel Ready for Installation

Alternatively, WOODWORKS® Grille panels can be specified and ordered with the appropriate slats absent in the manufactured product, saving installation time in the field.

3.2 Integrated Light Connection Clip

Integrated Light Connection Clips should be spaced so that the center of the feature that hooks over the grid is 11-1/2" from the end of the fixture, and every 24" O.C. thereafter. This will ensure that the length of the light will be aligned with the length of the panels. See detail below referencing the general locations of the Sliding Integration Brackets for a standard 95" lighting fixture. There are four Sliding Integration Brackets per 95" light. (Fig 3)

4. INSTALLATION OF THE ASSEMBLY

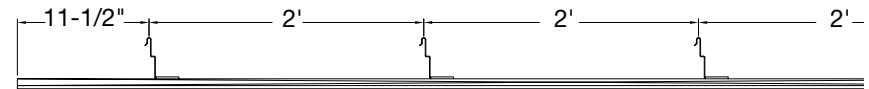
Install the modified WOODWORKS Grille panel per standard installations instructions, following the screw attachment method.

The Integrated Light Connection Clips must be screw attached to the suspension system so the electrician can install the light at the specific area in the ceiling per the lighting plan. All Integrated Light Connection Clips must be screw attached to the bulb of the grid system with metal framing screws (minimum of #8 x 1/2") provided by the contractor. When clips are installed within the modified panel, make sure they are centered within the opening to ensure even reveals.

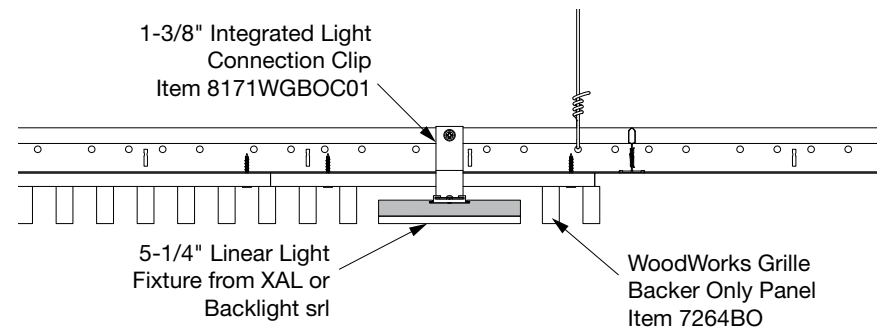
The compatible lighting fixture and driver should be installed by a qualified electrician in accordance with the light manufacturer's instructions for the screw connection between the Integrated Light Connection Clip and Sliding Integration Bracket.

NOTE: Items 7263BO and 7264BO (1-3/8" Slat Height) require the Integrated Light Connection Clips to be attached to the suspension system first before the Integrated Light Connection Clip is installed in the Sliding Integration Bracket. All other panels can have the Integrated Light Connection Clip installed in the Sliding Integration Bracket first prior to the light being installed within the suspension system. (Fig 4)

Once the modified panel and light have been installed, resume installation of the full-size WOODWORKS Grille panels following standard installation instructions.



(Fig 3)



(Fig 4)

5. SEISMIC

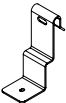
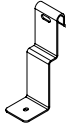
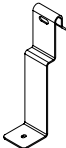
This system has been engineered for application in seismic areas based on the instructions listed in this document and has been successfully tested in applications simulating seismic design categories D, E, and F. Refer to the seismic section in the WOODWORKS® Grille instructions for all requirements related to seismic performance for this product.

All Integrated Light Connection Clips must be screw attached to the bulb of the grid system with metal framing screws (minimum of #8 x 1/2") provided by the contractor.

Certain jurisdictions may have additional requirements for lighting systems. Consult your local authority having jurisdiction for specific requirements.

6. LIGHTING FIXTURES

Compatible with Backlight® srl CHIARO light fixture and XAL® PANO Low-Profile Linear Plank light fixture. For detailed lighting information, contact your local Backlight srl or XAL representative.

Clip Item No.	Description	Coordinating WoodWorks® Grille Item No.	Panel Field Modification Required*	Compatible Partner Light Fixture Dimensions W x L (Inches)	Clips Required per Light Fixture
WoodWorks® Grille – Backer Only Panels					
 8171WGBOC01	1-3/8" Integrated Light Connection Clip	7263B0	Remove 1 slat Remove 2 slats Remove 3 slats	2" x 95" 3-1/4" x 95" 5-1/4" x 95"	4 4 4
		7264B0	Remove 2 slats Remove 3 slats Remove 4 slats	2" x 95" 3-1/4" x 95" 5-1/4" x 95"	4 4 4
 8171WGBOC02	2-1/4" Integrated Light Connection Clip	7094B0	Remove 1 slat Remove 2 slats Remove 2 slats	2" x 95" 3-1/4" x 95" 5-1/4" x 95"	4 4 4
		7265B0	Remove 1 slat Remove 2 slats Remove 3 slats	2" x 95" 3-1/4" x 95" 5-1/4" x 95"	4 4 4
		7266B0	Remove 2 slats Remove 3 slats Remove 4 slats	2" x 95" 3-1/4" x 95" 5-1/4" x 95"	4 4 4
 8171WGBOC03	3-1/4" Integrated Light Connection Clip	7095B0	Remove 1 slat Remove 2 slats Remove 2 slats	2" x 95" 3-1/4" x 95" 5-1/4" x 95"	4 4 4
		7097B0	No modification Remove 1 slat Remove 1 slat Remove 1 slat	2" x 95" 2" x 95" 3-1/4" x 95" 5-1/4" x 95"	4 4 4 4

*Made-to-order Backer Only panels that eliminate the need for field modification of standard panels are available. Additionally, Backer & Dowel and Dowel Only pre-modified panels are available, contact ASQuote@armstrongceilings.com.

MORE INFORMATION

For more information, or for an Armstrong Ceilings representative, call 1 877 276 7876.

For complete technical information, detail drawings, CAD design assistance, installation information, and many other technical services, call TechLine customer support at 1 877 276 7876 or FAX 1 800 572 TECH.

Inspiring Great Spaces® is a registered trademark of AFI Licensing LLC; XAL® is a registered trademark of XAL Inc.; Backlight® srl is a registered trademark of BACKLIGHT srl; All other trademarks used herein are the property of AWI Licensing LLC and/or its affiliates.

© 2020 AWI Licensing Company Printed in the United States of America

BPLA-299427-320

