

WOODWORKS® Linear – Veneered Panels

Integrated Light Connection Clip Assembly and Installation Instructions

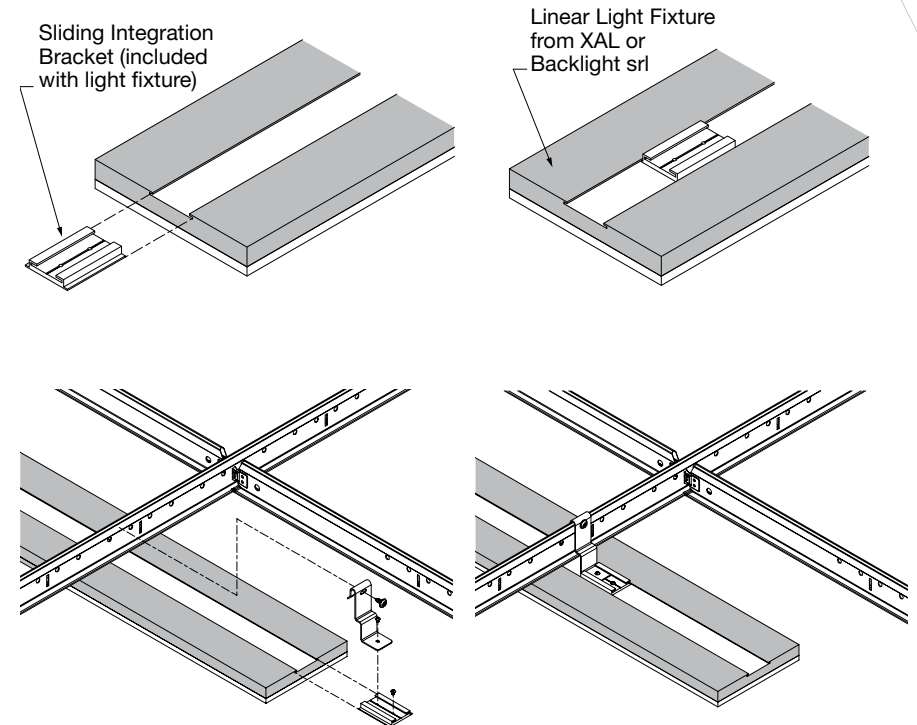
This installation guide is a supplement to the standard WOODWORKS® Linear Veneered Panels installation instructions.

1. SOLUTION OVERVIEW

Integrated Light Connection Clips enable installation of Backlight® srl CHIARO light fixture and XAL® PANO Low-Profile Linear Plank light fixture with the specified panel – eliminating the need for modification of the grid system and independent suspension of the light fixture. System ensures the Sliding Integration Bracket is housed in the lighting track, while the Integrated Light Connection Clip slides into and is secured in the Sliding Integration Bracket. The Integrated Light Connection Clip is attached to the Armstrong® Ceiling Heavy Duty Prelude® XL® Suspension System. Continuous and discontinuous lighting layouts are possible with this system.

NOTE: Linear light fixtures and Sliding Integration Bracket are sold by Backlight srl and XAL.

These instructions represent WOODWORKS® Linear Veneered panels that have either 4" or 6" (nominally) wide planks (Items 6690W1 and 6691W1). WOODWORKS Linear Veneered panels with Tapered Planks should not be field modified for use with the Integrated Light Connection Clip.



Installation of this ceiling and integrated lighting solution will require coordination between the ceiling contractor and the electrical contractor. WOODWORKS® Linear Veneered panels with Lighting Integration is a progressive installation, meaning the lights and the ceiling panels must be installed at the same time.

The following installation instructions recommend installation by different trades for the purpose of assigning responsibilities during installation. However, role clarification can be determined on a job-per-job basis. General contractor should work with electrical contractor and ceiling contractor to clearly assign responsibilities.

As with all integrated construction solutions, coordination and collaboration between trades is critical for a successful and efficient installation.

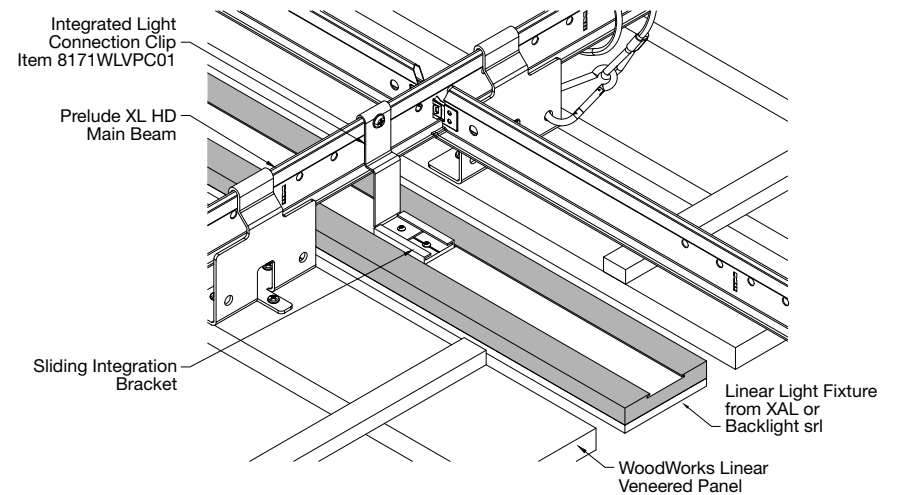
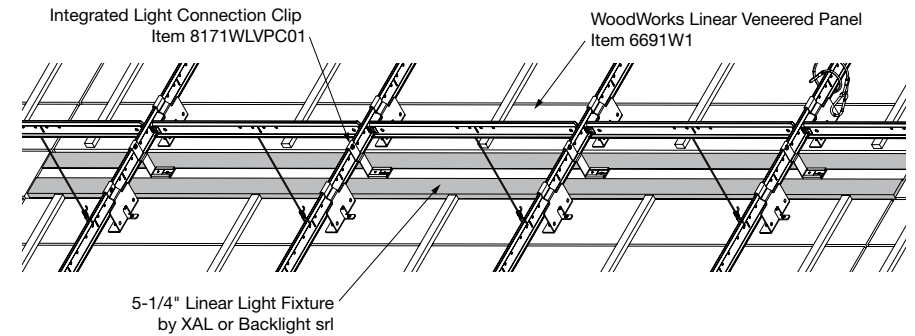
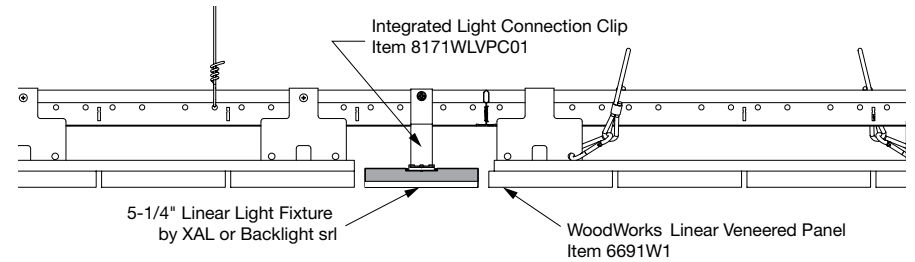
2. DESIGN CONSIDERATIONS

2.1 Lights

- Lights must be supported by attachment to the grid at no more than 2' O.C.
- Lights must be supported within 1' of each end (max cantilever of 12" from nearest support)
- Length of lights are designed to coordinate with the length of panels
- Lights must be installed parallel with linear visual of panels
- Only one light may be installed in a modified panel
- Lights must be installed within field of install and not integrated into cut perimeter panels

2.2 WoodWorks Linear Veneered Panels

- Only one width of light is recommended for each product (3-1/4" with Item 6690W1, 5-1/4" with Item 6691W1)
- Reveal between light and planks will coordinate with the reveal from plank to plank
- Modified panels must be screw-attached to the grid with a self-drilling screw through the T-bar hooks into the bulb of the grid to maintain reveals. Self-drilling screw provided by contractor
- Ceiling contractor modifies panel to create opening for light, electrician centers the light within the opening
- When modifying the panels, the entire plank must be removed



2.3 Suspension System

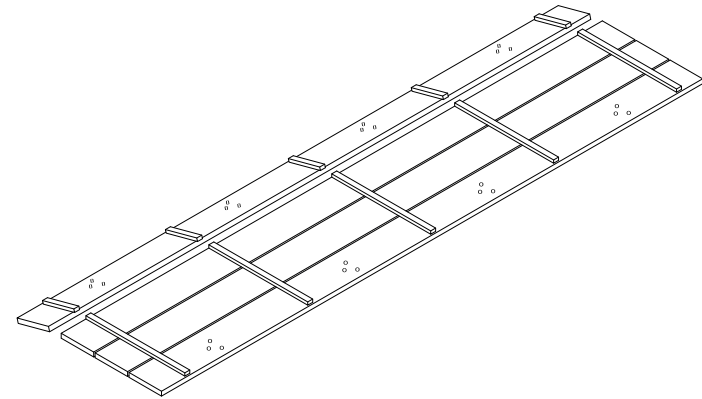
The suspension system does not require modification and must be installed following the standard WOODWORKS® Linear Veneered panels instructions.

3. SYSTEM MODIFICATIONS

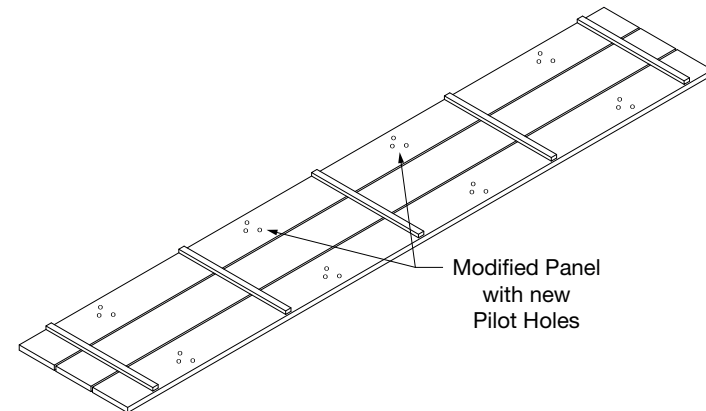
The following installation method uses WOODWORKS Linear Veneered panels that have either 4" or 6" (nominally) wide planks. No other WOODWORKS Linear Veneered panel type should be field modified.

3.1 Standard Panel Modification – Removing Panel Planks

Full-size panels are ordered and a field cut (or cuts) is made to remove a portion of the panel. Only a single full-size plank is removed with the attached backer section (**Fig 1**). The removed plank can be an end plank or middle plank. Only remove a panel portion in the longer length direction of the panel by cutting the backers. If a panel portion is removed between existing pilot holes, there will not be enough support from existing panel and hooks. Additional T-Bar Hooks and screws need to be ordered (Item 5986) as there will not be enough from the original full-size panel. New pilot holes need to be located and drilled for the new T-Bar Hooks (**Fig 2**). Measure the grid opening and place the new T-Bar Hooks as a reference so that the dimension from the outer edge of the factory-located hook to the outer edge of the relocated hook matches the grid opening dimension. Drill pilot holes at the new screw locations. Use a stop on the drill to prevent penetrating through the panel. Attach the relocated new T-Bar Hooks with three screws in each. Alternatively, WoodWorks Linear Veneered panels can be specified and ordered as custom products with the appropriate portion absent in the manufactured product, as well as the pilot hole locations for the T-Bar Hooks, saving installation time in the field.



(Fig 1)



(Fig 2)

3.2 Integrated Light Connection Clip Spacing

- **Item 6690W1 – 4" Wide Planks:** Integrated Light Connection Clips should be spaced so that the center of the feature that hooks over the grid is 11-5/8" from the end of the fixture, and every 24" O.C. thereafter. This will ensure that the length of the light will be aligned with the length of the panels. See detail below referencing the general locations of the Sliding Integration Brackets for a standard 95-1/4" lighting fixture. There are four Sliding Integration Brackets per 95-1/4" light. (Fig 3)

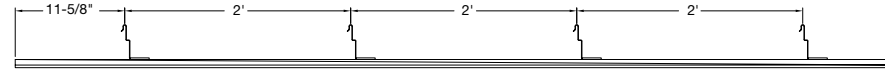
- **Item 6691W1 – 6" Wide Planks:** Integrated Light Connection Clips should be spaced so that the center of the Integrated Light Connection Clip is 11-7/8" from the end of the fixture, and every 24" O.C. thereafter. This will ensure that the length of the light will be aligned with the length of the panels. See detail below referencing the general locations of the Sliding Integration Brackets for a standard 95-3/4" lighting fixture. There are four Sliding Integration Brackets per 95-3/4" light. (Fig 4)

4. INSTALLATION OF THE ASSEMBLY

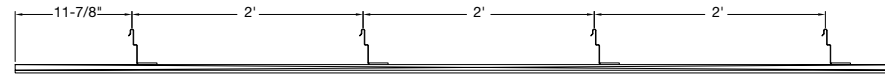
Install the modified panel portions per standard instructions with T-Bar Hooks. Position the modified panels so they have the appropriate reveal (3/4" for 4" wide planks and 1/4" for 6" wide planks) between all panels. Once the modified panels are in place, secure the panel by screw attaching opposite diagonal T-bar Hooks on the panel into the grid. This is done by inserting a self-drilling screw through the T-bar Hook and bulb of the grid.

Once the modified panels are secured, the compatible lighting fixture and driver should be installed by a qualified electrician in accordance with the light manufacturer's instructions. Lights should be centered within the opening created from the modified panel, which will result in approximate reveals of 1-1/8" for the 4" wide planks and 1/2" for the 6" wide planks in between the light and adjacent panels.

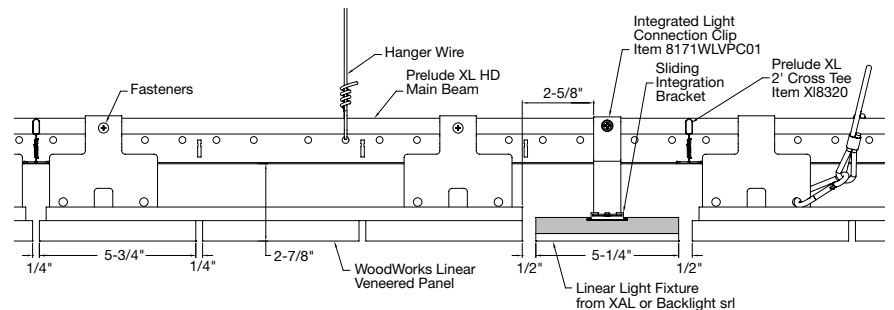
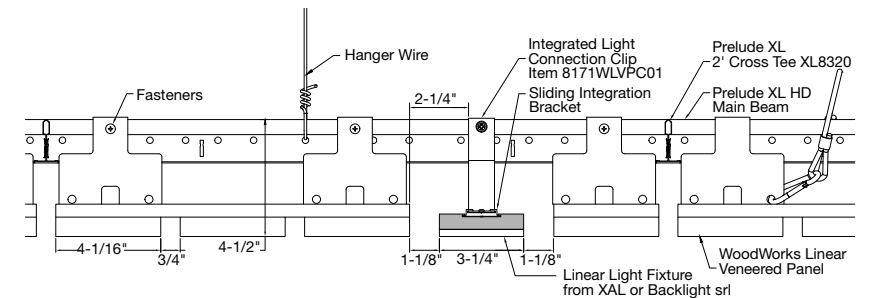
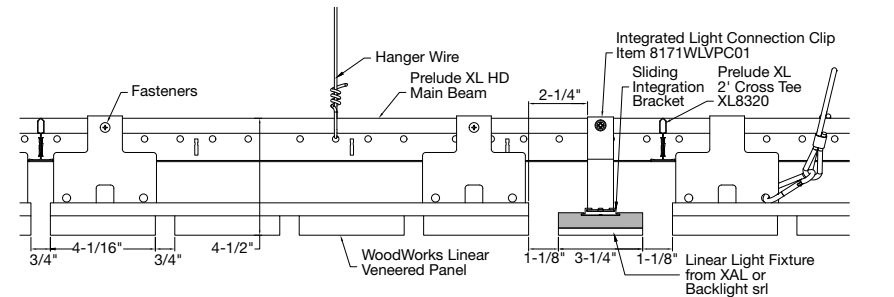
Staggered and continuous layouts are approved for this installation method.



(Fig 3)



(Fig 4)



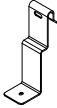
5. SEISMIC

This system has been engineered for application in seismic areas based on the instructions listed in this document and has been successfully tested in applications simulating seismic design categories D, E, and F. Refer to the seismic section in the standard WOODWORKS® Linear Veneered panels instructions for all requirements related to seismic performance for this product. All Integrated Light Connection Clips must be screw attached to the bulb of the grid system with metal framing screws (minimum of #8 x 1/2") provided by the contractor.

Certain jurisdictions may have additional requirements for lighting systems. Consult your local authority having jurisdiction for specific requirements.

6. LIGHTING FIXTURES

Compatible with Backlight® srl CHIARO light fixture and XAL® PANO Low-Profile Linear Plank light fixture. For detailed lighting information, contact your local Backlight srl or XAL representative.

Clip Item No.	Description	Coordinating WOODWORKS® Linear Veneered Panel Item No.	Panel Field Modification Required*	Compatible Partner Light Fixture Dimensions W x L (Inches)	Clips Required per Light Fixture
WOODWORKS® Linear Veneered Panels					
8171WLPC01 	Integrated Light Connection Clip	6690W1 6691W1	Remove 1 plank Remove 1 plank	3-1/4" x 95-1/4" 5-1/4" x 95-3/4"	4 4

*Made-to-order panels that eliminate the need for field modification of standard panels are available via ASQuote@armstrongceilings.com

MORE INFORMATION

For more information, or for an Armstrong Ceilings representative, call 1 877 276 7876.

For complete technical information, detail drawings, CAD design assistance, installation information, and many other technical services, call TechLine customer support at 1 877 276 7876 or FAX 1 800 572 TECH.

Inspiring Great Spaces® is a registered trademark of AFI Licensing LLC; XAL® is a registered trademark of XAL Inc.; Backlight® srl is a registered trademark of BACKLIGHT srl; All other trademarks used herein are the property of AWI Licensing LLC and/or its affiliates.

© 2020 AWI Licensing Company Printed in the United States of America

BPLA-299426-320

