

# ACE TBar



Project: \_\_\_\_\_  
 \_\_\_\_\_  
 Type: \_\_\_\_\_  
 \_\_\_\_\_  
 Notes: \_\_\_\_\_  
 \_\_\_\_\_

**ACE T-Bar** recessed asymmetric fixture. Designed with architectural appeal, high efficacy levels, perfected asymmetric and wall wash beam performance and easy installation. The ACE T-Bar recessed fixture simplifies installation with a light weight design using only a 3" emitting area and shallow depth for easy integration onto an existing T-Bar grid system.

5 Year Warranty  
 IP, Patent Pending



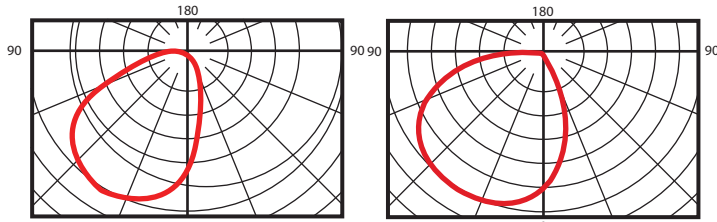
## Ordering Guide

AceT1									
ARON ID		LENGTH		LUMENS		BEAM		COLOR TEMP.	
AceT1 Ace T-Bar		2 FA	2'	1000	1000 lumens	B1	Medium	3000K	3000 K
		4 FA	4'	1500	1500 lumens	B2	Wide	3500K	3500 K
		6 FA	6'	2000	2000 lumens			4000K	4000 K
		8 FA	8'	2500	2500 lumens				
				3000	3000 lumens				
				4000	4000 lumens				
				5000	5000 lumens				
				6000	6000 lumens				
				8000	8000 lumens				
				*Consult factory for custom lumen packages					
				*MAX Output 1000 lum/ft					

CRI		VOLTAGE		DRIVER		EMERGENCY BATTERY	
80	80 CRI	UNV	120-277V	ND	No Dimming	10W	10W EM
90	90 CRI			DM	Factory 0-10V dim1%	20W	20W EM
				LT	Lutron Hi Lume (LT)		



## Optical Performance



B1: Medium

B2: Wide

Lumens	Watts
1000	8.7
1500	13.0
2000	17.4
2500	21.7
3000	26.1
4000	34.8
5000	43.5
6000	52.2
8000	69.6

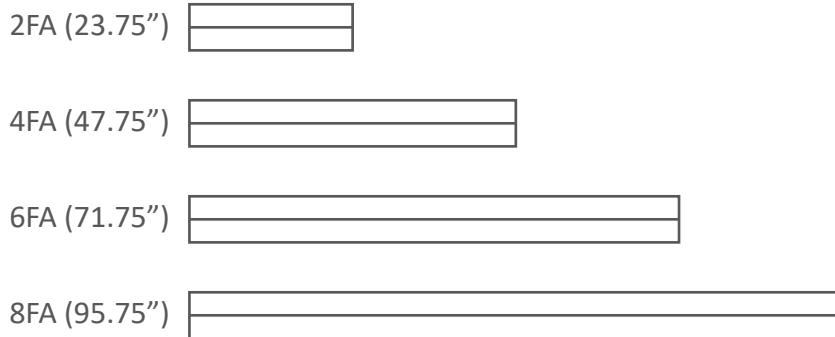
\*All values at 3500K

## Lumen Maintenance

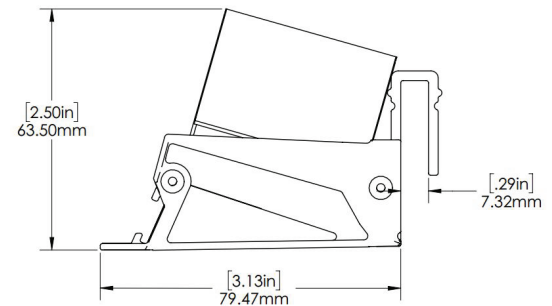
L90: 90,000 Hours

L70: 185,000 Hours

## Application Sizes



## Dimensions



## Construction

- Extruded aluminum housing
- Injection molded ABS end caps
- Powder coated paint
- Galvanized sheet metal components
- Mate with 15/16, 9/16 and bolt slot TBars

## Optical

- Choice of 3 beam distributions
- Cast acrylic light guide
- Extruded volumetric diffuser
- Minimum 80 or 90 CRI
- 3000K, 3500K, 4000K
- ≤ 3 SDCM

## Electrical

- Integral high efficiency driver
- 0-10V dimming (1%) standard
- Class 2
- Optional battery pack
- Add-on sensor ready

## Weight

- 2FA = 3.4 lbs
- 4FA = 5.7 lbs
- 6FA = 7.8 lbs
- 8FA = 11.3 lbs