

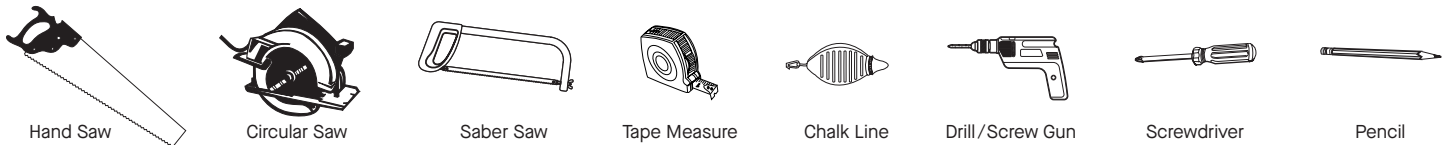
# Installing WoodHaven™ Planks on Walls



- Certain WoodHaven™ Plank finishes can be used as wainscoting or on a wall. Visit [ceilings.com/woodhaven](http://ceilings.com/woodhaven) to view available options.
- Open cartons 2-3 days prior to the install and allow material to adjust to the relative humidity in the space where it will be installed. Maintain consistent humidity levels after installation.
- Vertical layouts cannot exceed 84-in (length of one plank.) No joints allowed in this direction.
- Backer material is recommended for vertical installations to smooth out the wall.
- Backer material or furring strips are required for horizontal installations.

## TOOLS NEEDED:

Hand saw, circular saw (optional), saber saw (optional), measuring tape, chalk line, cordless or hand screwdriver and pencil. When using power tools, be sure to follow the manufacturer's recommendations for their use.



To prevent wet floors from damaging the planks, install a piece of 3/8-in thick spacer material on the wall at the floor so the bottom of the planks can butt against the top of the spacer material.

While the traditional orientation of wainscoting is vertical, the WoodHaven™ planks can be installed on walls either vertically or horizontally.

## INSTALLING WOODHAVEN PLANKS VERTICALLY ON A WALL

When installing the planks vertically, you should use a construction adhesive to secure the planks to the wall or backer material. Be sure to check that the adhesive is suitable for the surface you are adhering to.

Follow the adhesive manufacturer's recommendations for surface preparation and application rate. If the planks do not stick to the wall immediately, use painter's tape to hold the planks to the wall until the adhesive sets up. (*illus. G*) Finish with a trim of your choice.

## INSTALLING WOODHAVEN PLANKS HORIZONTALLY ON A WALL

For horizontal installations, first install your backer material or furring strips (space furring strips no further than 24-in apart.) Install your spacer material at the bottom of the wall. When installing horizontally, you will use the WoodHaven clips enclosed in the WoodHaven carton. With the long tongue edge of the first plank resting on the spacer material, you place the clip over the flange and attach to the backer material or furring strip. Fasten with clips every 24-in. (*illus. H*)

Finish with a baseboard of your choice covering the spacer material and the bottom of the planks. Trim can be installed at the top of the plank to serve as a chair rail or to finish the installation.

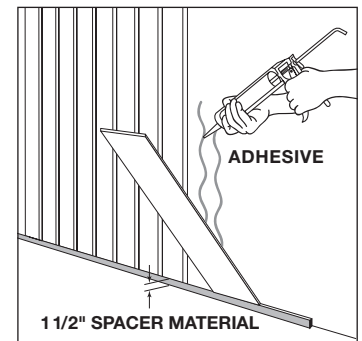
## MAINTENANCE RECOMMENDATION:

Clean with a damp cloth.

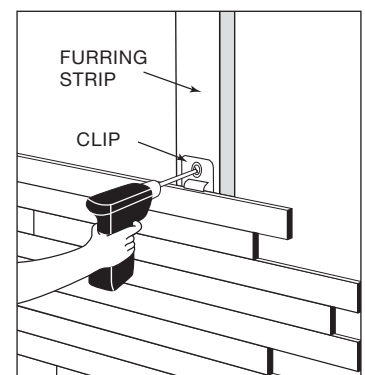
## WOODHAVEN™ CEILING PLANK TEN (10) YEAR LIMITED WARRANTY

For the most up-to-date warranty information, visit [ceilings.com/warranty](http://ceilings.com/warranty)

For additional information on installing WoodHaven™ Planks, including special installation tips and videos, please visit our website at [ceilings.com/installation](http://ceilings.com/installation) or call customer service at 1-877-ARMSTRONG (276-7876).



*illus. G*



*illus. H*