

Installing WoodHaven™ Ceiling Planks on a sloped ceiling

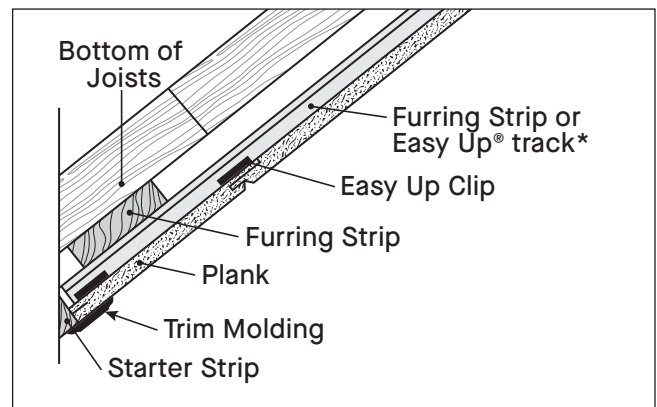
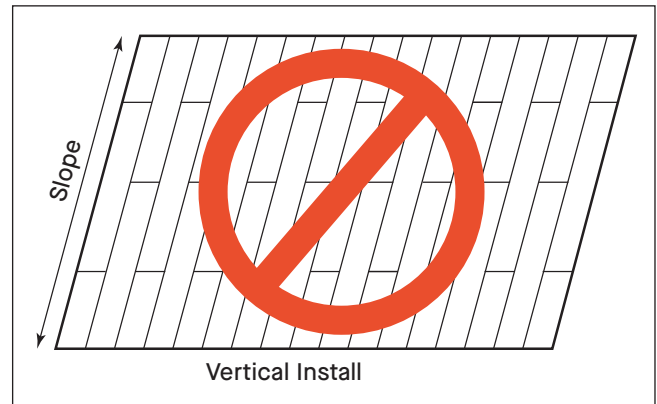
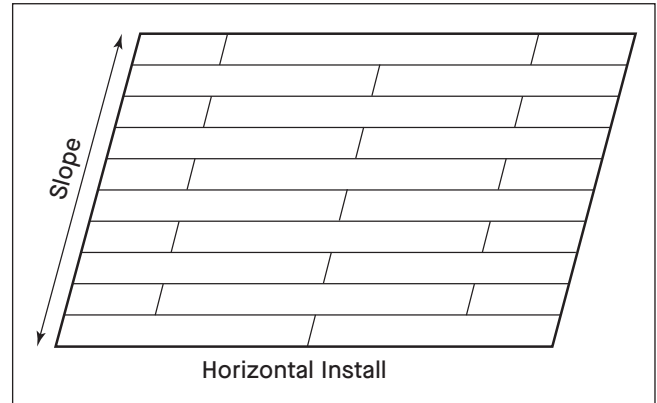
Always begin the installation at the bottom and work up to the peak. Run the plank horizontally across the plane of the ceiling. Planks should not be run vertically, with the long edge running up the slope of the ceiling, if more than a single plank length is required.

NOTE: The Easy Up® Installation System is for ceilings with a slope of less than 10 degrees.

1. The joists will run from the bottom of the ceiling to the top. Fasten a furring strip to the bottom of the joists (rafters) or through the drywall into joists where the ceiling plane meets the bottom wall.
2. Fasten furring strips horizontally every 4' until you get to the top of the peak.
3. Fasten the last furring strip about 2" from the peak.

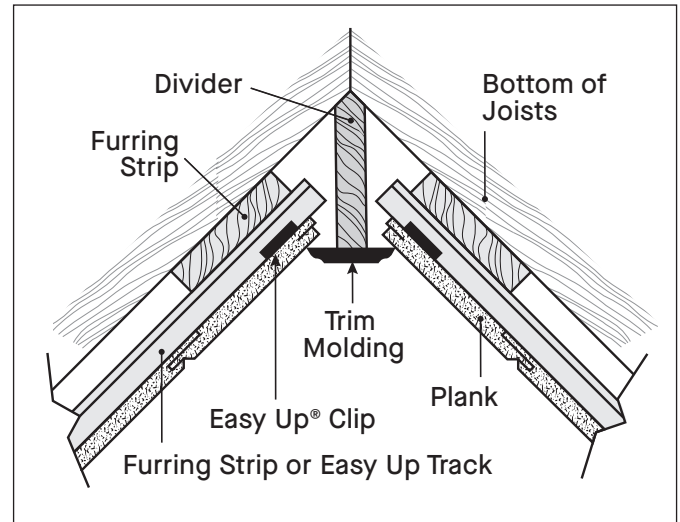
**Easy Up tracks and clips should be used on ceilings with a slope of less than 10 degrees.*

4. If the joists are not even, the furring must be shimmed to flatten it. If the furring strips are not long enough to reach the other end of the room, they must be butted. The butt joints must occur under a joist, and both ends must be double-nailed or screwed to the joist.
5. Once the first layer of furring is installed, start installing a second layer of furring strips running perpendicular to the first layer. For ceilings with a slope of less than 10 degrees, Easy Up tracks can be used. The tracks will run perpendicular to the first layer of furring. Fasten with drywall screws that allow the thread to fully penetrate the furring.
6. At both ends of the room, install the furring strip or Easy Up tracks 1" from each end wall, running from the bottom of the ceiling plane to within 1" of the peak. The rest of the rows should be installed parallel to the end tracks on 16" – 24" centers.
7. Cut a piece of wood to make a "starter strip" and fasten it to the wall. Cut it at an angle to fit against the wall and have the bottom of the starter strip parallel to the plane of the ceiling. The bottom edge of the starter strip should be flush with the finished face of the ceiling.



Installing WoodHaven™ Ceiling Planks on a sloped ceiling

8. Measure the straight line distance from the bottom of the ceiling to the top. Figure the width of the border planks so the bottom plank and the top plank are equal. Stretch a string from one end wall to the other to use as a guide string for cutting the width of the first row of plank.
9. Always start the installation from the bottom and go to the top. Let gravity work for you, not against you. If using Easy Up® track, it is a good idea to attach some of the Easy Up clips to the track with screws. This will keep the full weight of the ceiling planks from being on the bottom row of planks. When you get to the last row of plank, cut the last row so it ends 1" from the peak.
10. With both sides of the ceiling done, determine the size of the divider at the top. You will not know what size to cut this piece until the plank reaches the top. Its size depends on the angle of the ceiling and the width of the trim molding you use to cover the peak. Do not attempt to have the planks meet each other at the peak without using a divider. The movement of the house will open and close the joint.
11. In this illustration, the divider is fitted to a peak without a ridge pole. Cut the piece to fit the detail in your ceiling. Cover the gap with a trim molding.



For questions and additional information, contact Techline:
1-877-ARMSTRONG (276-7876) or techline@armstrongceilings.com