

Workspace Sound Reducing Kit Installation Instructions



KIT INCLUDES:

- Sound Absorbing Panels
- Impaling Clips
- Removable Velcro Adhesive Strips
- Sound Blocking Door Sweep

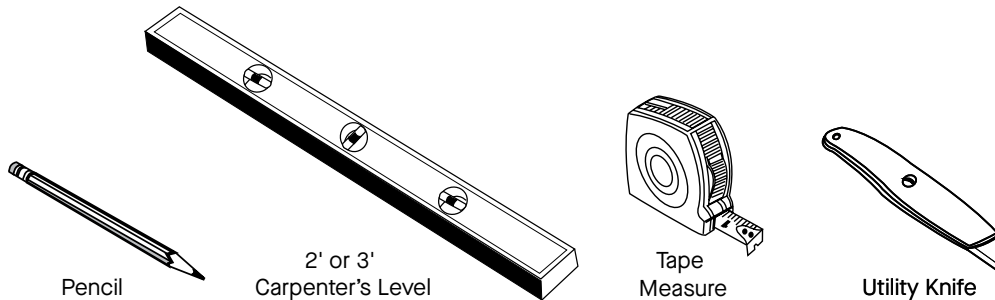
SAFETY TIPS:

- Safety glasses and gloves are recommended to be worn during installation.
- Ensure the work area is clear of obstructions and that the desired panel locations are easily accessible.
- If using a step ladder, be sure to follow all of the manufacturer's recommendations.

IMPORTANT INFORMATION:

- Store and install panels in areas with temperature and humidity ranges that meet specific product warranty requirements.
- The removable Velcro tape adhesion strength may differ slightly based on the quality of the wall surface. The surface should be smooth, flat, dry, clean and free of dust and contamination of oil and grease to get the best bond.
- Paint should have good adhesion to the wall without defects, such as peeling, cracking, or bubbling.
- For newly painted walls, wait for the paint to be fully dried prior to installation.
- The removable Velcro adhesive strips cannot be reattached after removal. Extra pieces are provided.

TOOLS NEEDED TO INSTALL YOUR WALL PANELS:



Workspace Sound Reducing Kit Installation Instructions

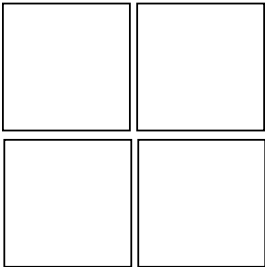


STEP 1: DETERMINE YOUR LAYOUT

Plan the layout of your panels, measuring the available area and panel sizes before you begin. There should be a 1/4" gap in between each panel edge and a 1/2" clearance gap is required above the top of the highest panel for proper installation. For best sound absorption results, place the panels directly behind your desk or work table, at the height of your head.

Layout options for 24" × 24" panels

Option 1

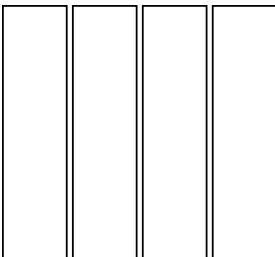


Option 2

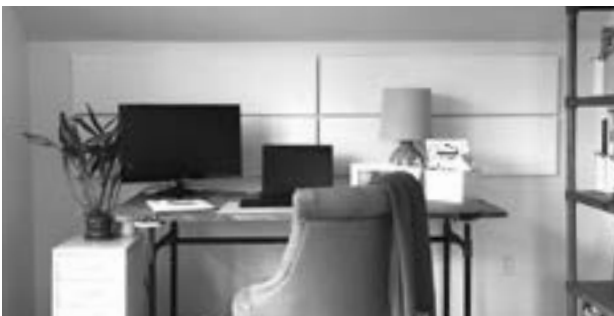


Layout options for 12" × 48" panels

Option 1



Option 2



STEP 2: PREPARE WALL SURFACE

Thoroughly clean your wall with a damp rag to remove dust and debris. Further cleaning with suitable agent(s) may be necessary in order to create a smooth, flat, clean surface. Allow the area to fully dry.

Workspace Sound Reducing Kit Installation Instructions



STEP 3: PREPARE VELCRO AND METAL IMPALING CLIPS

- **WARNING:** The black strip of Velcro is considered permanent and non-removable. Make sure you place that side of the tape on the impaling clip.
- Remove adhesive layer from the black strip of Velcro. (This is the permanent adhesive.)
- Place the back of the clips onto the exposed adhesive and press firmly. (*Illus. A*)



Illus. A

- Cut between the clips. (*Illus. B*)



Illus. B

- Prepare the other half of the Velcro strip. This half is white with metallic foil and is what will attach to the wall. Cut into 3" lengths. (*Illus. C*) Only remove the protective backing when you are ready to install.



Illus. C



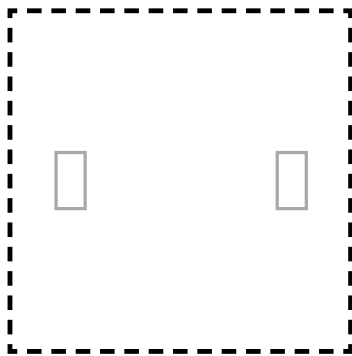
Workspace Sound Reducing Kit Installation Instructions



STEP 4: ATTACH IMPALING CLIPS TO WALL

- Attach the white Velcro tabs to the wall. There are two Velcro tabs needed per panel. Install one panel at a time; do not install all of the clips at once. Velcro tabs should be located approximately 3" in from each panel edge and centered along the height of the panel. (*Illus. D*)
- To attach these tabs, remove the clear backing from the metallic foil side of the Velcro and position on the wall. To remove the clear backing, fold the Velcro along the central score line and peel.
NOTE: *Metallic foil will remain on the Velcro.*
- Press the Velcro firmly to the wall to activate the adhesive and to ensure full contact. This can be done by dragging a putty knife or credit card across the face of the Velcro.
- Place the clip, with Velcro attached and teeth facing up, on the now-installed Velcro.

Illus. D



24" × 24" panel
(actual size: 23-3/4" × 23-3/4")



12" × 48" panel
(actual size: 11-3/4" × 47-3/4")



Workspace Sound Reducing Kit Installation Instructions

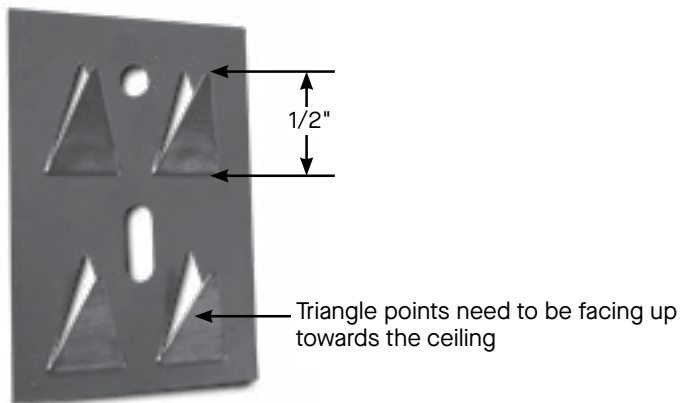


STEP 5: INSTALL WALL PANEL

NOTE: Wear clean gloves while handling the panels to avoid dirt on the surface.

- Install panels with a 1/4" gap in between each panel edge. Always start with the lowest row.
- Align and level the panel on the target location.
- Panel needs to be positioned 1/2" higher than the target position to compensate for the height of the teeth on the impaling clip. (*Illus. E*)
- Press the panel downwards for full engagement with the clips.
 - Panel needs to be evenly pressed at multiple points to avoid building up of internal tension or stress between the panel and clips.
- Check and confirm the tightness/firmness of the wall panel.
- Repeat steps 4 and 5 for remaining panels.

Illus. E



STEP 6: COMPLETING THE INSTALLATION

- Evaluate the installed panels to check for alignment and overall visual.
- Minor changes can be made without adjusting the impaling clip locations.
- If a panel needs to be removed, lift it up off of the clips and re-attach.
- Cleaning and maintenance: dust off with a clean rag or use a damp cloth.

STEP 7: SOUND BLOCKING DOOR SWEEP INSTALLATION

- Cut the door sweep to fit your door.
- Clean the bottom of your door and allow to dry.
- Peel off the film from the door sweep and apply to the bottom edge of your door.



Workspace Sound Reducing Kit Installation Instructions



PANEL AND TAPE REMOVAL

- Lift the panel off the impaling clip.
- Gently pull the impaling clip off the wall by separating the 2 Velcro layers. A putty knife or credit card can make this separation easier. The metallic half of the Velcro strip will remain on the wall.
- Start peeling the remaining metallic Velcro strip from one of the corners. Slowly remove this adhesive strip and wipe off any remaining residue with a damp rag.

LIMITED WARRANTY:

For warranty information, please visit ceilings.com

PRECAUTIONARY MEASURES:

During the installation, be certain that the work site is well ventilated and avoid breathing dust. Avoid contact with skin or eyes. Wear long sleeve, loose fitting clothes, gloves, and eye protection. Cut and trim with knife, razor, or hand saw. Do not cut with power equipment unless the equipment has an attached dust collector. The work site air quality should be assessed and if conditions require, a NIOSH approved respirator should be worn.

This product may contain small levels of crystalline silica. Exposures to respirable crystalline silica are not anticipated based on industrial hygiene testing on workers installing acoustical ceiling panels for an 8-hour work day and are not expected during normal use of this product. Specific work-site conditions must be taken into consideration to determine if workplace industrial hygiene testing is necessary. Prolonged and repeated exposure to airborne crystalline silica can result in lung disease and/or lung cancer. **Panels do not release respirable dust in their installed state. For additional information, refer to the Safety Data Sheet at ceilings.com.**

FIRST AID MEASURES:

If eye or skin contact occurs, flush with plenty of water for at least 15 minutes and remove contaminated clothing. After installing material, wash with warm water and mild soap. Wash work clothes separately from other clothing. Rinse washer thoroughly.

For additional information on installing, please visit our website at ceilings.com or call Techline at 1-877-ARMSTRONG (276-7876).