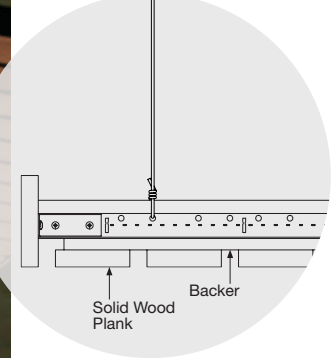


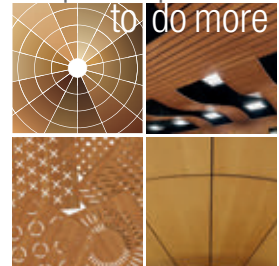
WOODWORKS® Linear/ WOODWORKS® Linear Exterior

Solid Wood Panels

CAD/Revit® drawings at:
armstrongceilings.com



plus capabilities
to do more



armstrongceilings.com/capabilities
See more photos at:
armstrongceilings.com/photogallery

Now, standard linear solutions with the beautiful color variation and graining of solid wood for interior and exterior applications.

KEY SELECTION ATTRIBUTES

- Integrated downlighting solutions from USAI® sit perfectly flush with the panel face for a sleek visual
- Lighting solutions are certified for fit and finish and engineered to be supported by standard Armstrong suspension systems for use in all areas, including seismic DEF zones
- Integrate linear lights seamlessly with the Integrated Light Connection Clip and lights from Backlight® srl and XAL®
- Two plank widths – nominal 3" and nominal 5"
- Fast, easy installation – screw into suspension system or install with backer clip
- Create continuous looks and clouds with solid wood trim
- Complete standard system from one manufacturer
- BioAcoustic™ infill available for increased acoustical performance; acoustical fleece available for interior applications
- Interior only panels are solid Poplar wood
- Western Hemlock panels excellent for exterior applications
- Use items 8117 or 8118 to transition from indoors to outdoors for dramatic design

*Now, Lighting
Integration
Made Easy*



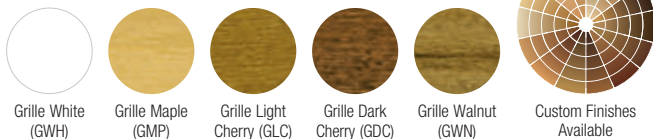
DOWNLIGHTING: WoodWorks® Linear Solid Wood panels with USAI® BeveLED Mini® for WoodWorks light fixture. See page 245B for lighting integration details.



LINEAR LIGHTING: WoodWorks® Linear Solid Wood panels in Maple with 5-1/4" x 95" linear light fixture. See page 245A for lighting integration details.

INTERIOR – ONLY FINISHES

Due to printing limitations, shade may vary from actual product. Items 8176 and 8177 can only be used in interior applications.



NOTE: Interior only finishes will coordinate with Exterior/Interior finishes, but are not intended to match.

EXTERIOR/INTERIOR FINISHES

Due to printing limitations, shade may vary from actual product. Items 8117 and 8118 can be used in either exterior or interior applications – great to transition from indoors to outdoors with matching visual



WOODWORKS® Linear Solid Wood Panels

For LEED contribution contact TechLine



VISUAL SELECTION

PERFORMANCE

Edge Profile	Item No.	Description	Dimensions (Inches) Nominal W x L x H
WOODWORKS® Linear Solid Wood Panels			
INTERIOR ONLY (Includes 8176 and 8177) ◆			Custom Sizes Available
	8176W1 ___	3-1/4" wide planks	12 x 96 x 3/4"
	8177W1 ___	5-1/4" wide planks	12 x 96 x 3/4"
EXTERIOR/INTERIOR (Includes 8117 and 8118) ◆ ◆			
	8117W1 ___	3-1/4" wide planks	12 x 96 x 3/4"
	8118W1 ___	5-1/4" wide planks	12 x 96 x 3/4"

Fire Rating	Acoustics NRC*
	Only applicable in indoor applications
See below	0.60
See below	0.50
See below	0.60
See below	0.50

WITH INFILL PANEL

- ◆ When specifying or ordering 8176 or 8177 include the 3-letter color suffix that coordinates with your WoodWorks ceiling: (e.g., 8176W1 **G M P**)
- ◆◆ When specifying or ordering 8117 or 8118 panels, include the 4-letter interior/exterior finish color suffix that coordinates with your woodworks ceiling: (e.g., 8117 **H W N Z**) GMP finishes are not available on Interior/Exterior
- * NRC achieved with acoustical infill (Item 8200T10).

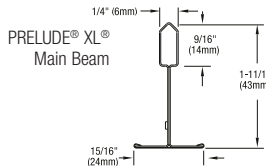
NOTE: For additional color and size options, or acoustical felt available as a custom option, call TechLine at 1 877 276-7876.

ACCESSORIES FOR INTERIOR INSTALLATIONS

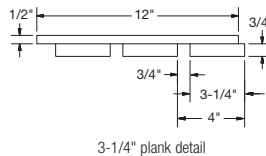
Item No.	Description	Dimensions (Inches) Nominal W x L x H	Color	Pieces/Carton
7146 ___	Solid Wood Trim	4 x 120 x 3/4"	See Finishes Below	Bulk
5687†	Backer Clip	3/8 x 11/16 x 7/8"	N/A	250 pcs/pail
5671 ___	Ledger	1 x 96 x 1/4"	See Finishes Below	Bulk
7891	12-Gauge Soft Hanger Wire	144" Length	N/A	140
6657	BioAcoustic™ Infill Panel	11 x 48 x 5/8"	Black (Matte)	10
7239	Adjustable Trim Clip	—	—	50

† Backer clip should only be used when installing panels with 3" wide nominal planks.
NOTE: Adjustable Trim Clip – for use with black Axiom® trim

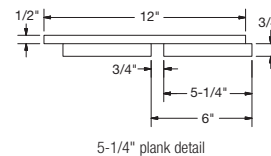
SUSPENSION SYSTEMS FOR INTERIOR INSTALLATIONS



Solid wood is a natural product and will exhibit natural variations in color, grain, and texture, and knot holes of up to 1/2" in diameter.



3-1/4" plank detail



5-1/4" plank detail

ACCESSORIES

Accessories, trim, infill panels are available. See pgs. 252-253 in this catalog or visit armstrongceilings.com/woodworks

PRELUDE® XL® SUSPENSION SYSTEM FOR EXTERIOR INSTALLATIONS

Item No.	Description	Dimensions (Inches) Nominal W x L x H	Color	Pieces/Carton
7301G90ABL	12' Exterior HD Main Beam	144 x 15/16 x 1-11/16"	Black	20
XL7341G90ABL	4' Cross Tee	48 x 15/16 x 1-11/16"	Black	60
XL7321G90ABL	2' Cross Tee	24 x 15/16 x 1-11/16"	Black	60
HD7801G90ABL	10' Hemmed Angle Molding	120 x 7/8 x 7/8"	Black	30

NOTE: Exterior grade screws, equivalent to #6 x 1" Zinc-Aluminum coated steel sheet metal screws, will be used to attach panels to the suspension system.

PHYSICAL DATA

Material

Items 8176 and 8177 – planks and backers are solid poplar.
Items 8117 and 8118 – planks and backers are solid western hemlock.

Surface Finish

Clear or tinted semi-gloss coating on all finishes except White (GWH and HWH2). White products have a lacquer finish. Items 8117 and 8118 have been manufactured to perform well in exterior conditions.

Fire Performance

Solid Poplar Hardwood Slats and Backers – ASTM E84 surface burning characteristics. Flame Spread Index 200 or less. Smoke Developed Index 450 or less.

Class A intumescent treatment is available for all finishes except White (GWH and HWH2).

Contact TechLine at 1 877 276-7876 for details.

WoodWorks® Linear Solid Wood Panels, as with other architectural features located at the ceiling, may obstruct or skew the planned fire sprinkler water distribution pattern, or possibly delay or accelerate the activation of the sprinkler or fire detection systems by channeling heat from a fire either toward or away from the device. Designers and installers are advised to consult a fire protection engineer, NFPA 13, and local codes for guidance where automatic fire detection and suppression systems are present.

Application Considerations

Variation among panels may occur due to the natural characteristics of the wood and grain.

Design Considerations

Panels installed in exterior applications should be installed under overhangs, soffits, or other covered spaces to protect them for direct contact with the elements. For interior-only panels, relative humidity between 25% and 55%, and temperature between 50 and 86 degrees F must be maintained.

Installation Consideration

System is designed to have a 1" gap between panels. Backer clip can only be used for installation of interior-only panels.

Seismic Restraint

WoodWorks Linear solid wood panels have been engineered, tested, and approved for application in all seismic areas when installed per Armstrong Ceilings installation instructions.

Warranty

Details at armstrongceilings.com

Weight

8117 – 1.25 lbs/SF
8118 – 1.25 lbs/SF
8176 – 1.76 lbs/SF
8177 – 1.88 lbs/SF (Bulk packaged)

NOTE: exterior panels installed in extreme humid conditions can weigh up to 2 lbs/SF.

LIGHTING SOLUTIONS – LINEAR LIGHTING

WOODWORKS® Linear

Solid Wood Panels



WoodWorks® Linear Solid Wood panels in Maple with 5-1/4" x 95" linear light fixture

Seamlessly integrate linear light fixtures from Backlight® srl and XAL® with standard or made-to-order WoodWorks® Linear Solid Wood panels using Integrated Light Connection Clips that suspend lights directly from the suspension system. This eliminates the need for independent support of the fixture or modification of the suspension system.


KEY SELECTION ATTRIBUTES

- Engineered and tested clip and suspension system seamlessly integrate lighting with grid
- Install lights seamlessly for WoodWorks Linear Solid Wood panels for interior applications
- Low-profile, pre-engineered light fixtures in coordinating 3-1/4" and 5-1/4" widths from Backlight srl and XAL for a flush, sleek visual
- Approved for use in all seismic categories

DESIGN CONSIDERATIONS

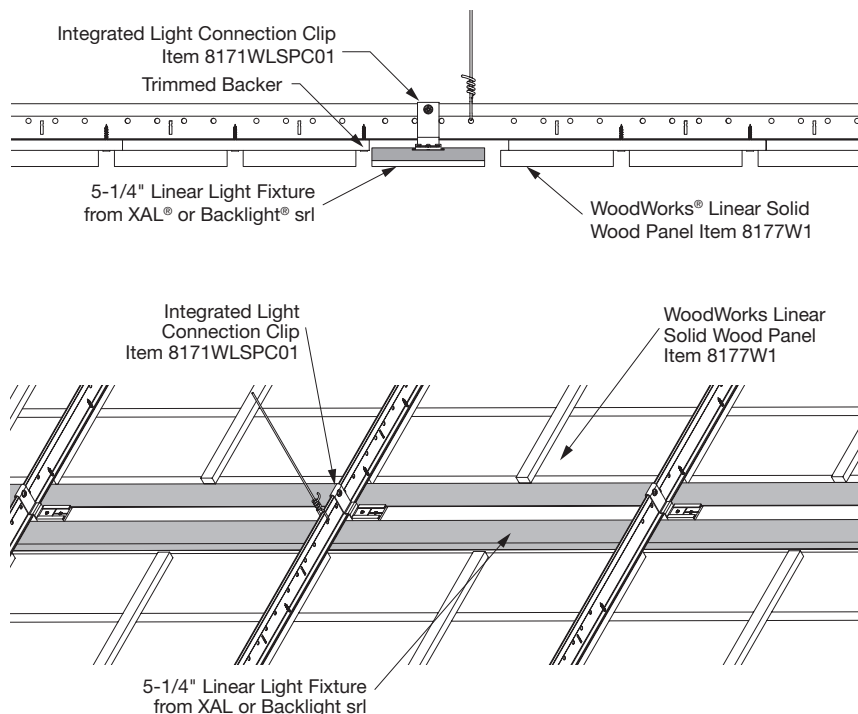
- Length of lights are designed to coordinate with the length of panels
- Lights must run parallel with panel direction and are not for use in perimeter panels
- Modified panels must be screw-attached to the suspension system. Reveal between light and panels will coordinate with the reveal from panel to panel
- Coordination between ceiling contractor and electrician is required for installation

VISUAL SELECTION

Clip Item No.	Description	Coordinating WoodWorks® Panel Item No.	Panel Field Modification Required*	Compatible Partner Light Fixture Dimensions W x L (Inches)	Clips Required per Light Fixture
WOODWORKS® Linear Solid Wood Panels					
 8171WLSPC01	Integrated Light Connection Clip	8176W1 8177W1	Male end of backer trimmed to 3/4" Male end of backer trimmed to 3/4"	3-1/4" x 95" 5-1/4" x 95"	4 4

* Made-to-order panels that eliminate the need for field modification of standard panels are available via ASQuote@armstrongceilings.com
NOTE: Item 8171WLSPC01 is packaged 12 pcs/ctn

INSTALLATION DETAILS



LIGHTING FIXTURES

Compatible with Backlight® srl CHIARO light fixture and XAL® PANO Low-Profile Linear Plank light fixture

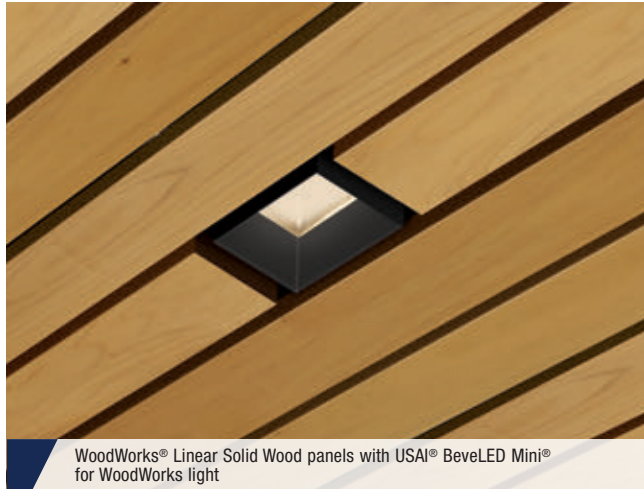


For detailed lighting information, contact your local Backlight® srl or XAL® representative.

LIGHTING SOLUTIONS – DOWNLIGHTING

WOODWORKS® Linear

Solid Wood Panels



WoodWorks® Linear Solid Wood panels with USAI® BeveLED Mini® for WoodWorks light

Seamlessly integrate downlight fixtures from USAI® with standard WoodWorks® Linear Solid Wood panels. Suspend lights directly from the suspension system, eliminating the need for independent support of the fixture or modification of the suspension system.

KEY SELECTION ATTRIBUTES

- Engineered and tested to seamlessly integrate lighting fixtures with grid
- Approved for use in all seismic categories

DESIGN CONSIDERATIONS

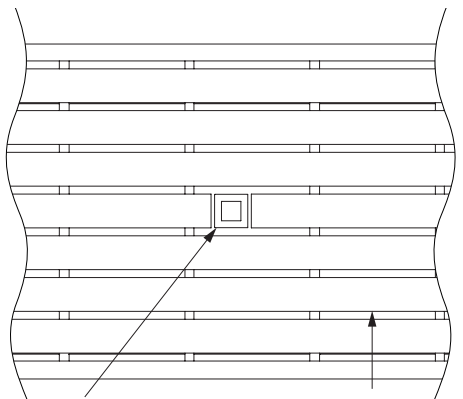
- Lights are designed to sit flush with the face of the WoodWorks panels
- Modified panels must be screw-attached to the suspension system
- Coordination between ceiling contractor and electrician is required for installation

VISUAL SELECTION

WoodWorks® Panel Item No.	Description	Coordinating USAI® Fixture Family	Coordinating USAI Fixture Part Numbers	USAI Grid Mounting Bars Item No.	Panel Field Modification Required
WOODWORKS® Linear Solid Wood Panels					
8177	5-1/4" Planks	BeveLED 2.2 for WoodWorks	B4XXX-UA	UA2	1 plank cut
8176	3-1/4" Planks	BeveLED Mini® for WoodWorks	B3XXX-UA	UA2	1 plank cut

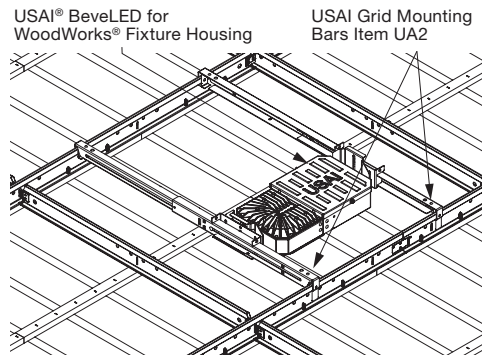
NOTE: Refer to lighting partner cut sheets for light location considerations

INSTALLATION DETAILS



USAI® BeveLED for WoodWorks® Fixture – Item B3XXX-UA, Item B4XXX-UA

WoodWorks 12" x 96" Linear Solid Wood Panel



USAI® BeveLED for WoodWorks® Fixture Housing

USAI Grid Mounting Bars Item UA2

LIGHTING FIXTURES

Compatible with USAI® BeveLED 2.2 for WoodWorks® and BeveLED Mini® for WoodWorks fixture families.

USAI® Lighting

For detailed lighting information, contact your local USAI® representative.