

METALWORKS™

Linear Ceiling Systems

Inspiring Great Spaces®

Armstrong®
CEILING & WALL SOLUTIONS

ALIGN

Your Design

Take linear design to a new level with three distinct MetalWorks™ Linear ceiling systems – Classics, Diverge™, and Synchro™ – bringing depth, motion, and energy in countless configurations.

- ▶ Now available in 17 standard Effects™ finishes
- ▶ Linear planks included in the FAST program – visit armstrongceilings.com/fast134 for details
- ▶ CleanAssure™ family of products – includes disinfectable planks, suspension systems, and trim
- ▶ Universal suspension systems for all plank widths enable easy installation and a clean, finished visual; Main Beam Carrier 1 (item 7177) for Classics and Main Beam Carrier 2 (item 7277) for Synchro and Diverge
- ▶ Mix and match widths for a striated visual
- ▶ Exterior applications available for MetalWorks Linear – Classics, tested to meet wind uplift Classes 30, 60, and 90 using fewer compression posts
- ▶ Acoustical options with microperforated panels





▲ MetalWorks™ Linear – Classics™ perforated and unperforated; Dallas Love Field Airport, Dallas, TX; CH2M Hill, Dallas, TX

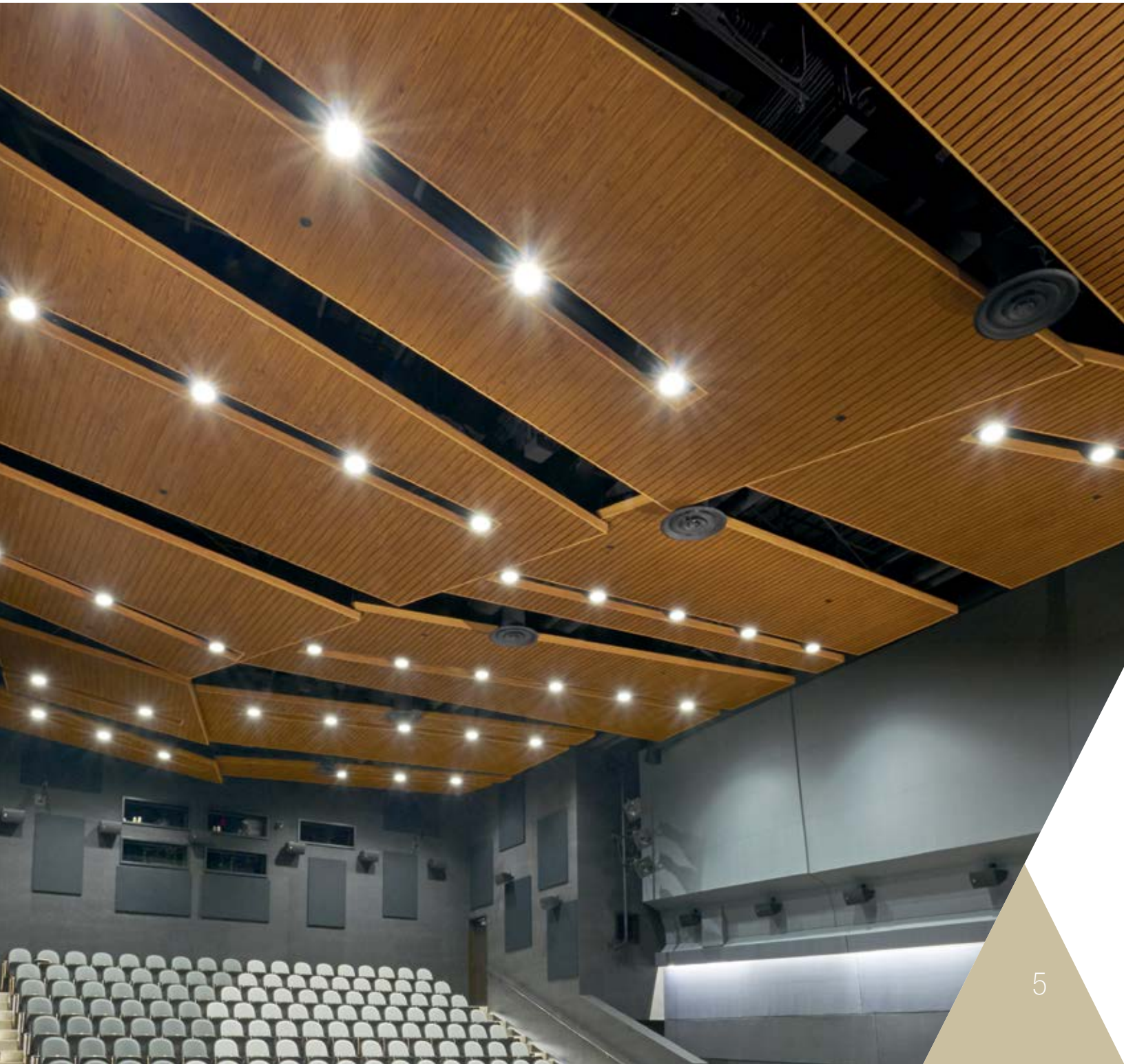
FLOWING WAVES

Undulating forms composed of straight lines create the illusion of movement.

STRETCH YOUR WINGS

Expand your reach with linear designs that bring dramatic movement throughout the space.

▼ MetalWorks™ Linear – Classics™ Effects™ with Axiom® Classic Trim; Cleveland Institute of Art, Cleveland, OH; Stantec, Cleveland, OH



INSIDE OUT

Add sophistication with straight lines and undulating waves.

▼ MetalWorks™ Linear – Classics™ Exterior™; Sundial St. Pete; St. Petersburg, FL; Harvard Jolly, St. Petersburg, FL





▲ MetalWorks™ Linear - Classics Effects™ planks; Winter Park Health Foundation, Winter Park, FL; Duda/Paine Architects, Durham, N.C.

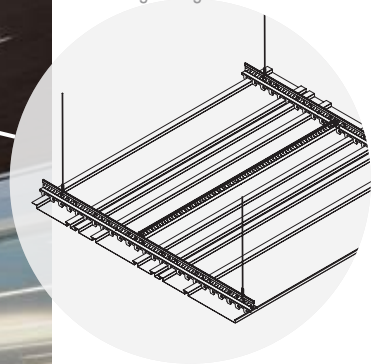
SUPERIMPOSITION

Create a new profile with lineal curves for a unique visual.

METALWORKS™ Linear – Classics™ Interior & Exterior
smooth texture

*Custom Looks
with Standard
Products*

CAD/Revit® drawings at:
armstrongceilings.com/cadrevit



plus capabilities
to do more



armstrongceilings.com/capabilities
See more photos at:
armstrongceilings.com/photogallery

▲ MetalWorks™ Linear – Classics™ Ceiling System in Effects™ Wood Looks Walnut Espresso with custom color filler strips

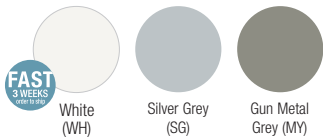
Durable, metal planks in more widths for a variety of flexible and unique acoustical interior/exterior solutions.

KEY SELECTION ATTRIBUTES

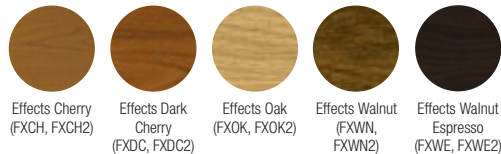
- new** Now available in 17 standard Effects™ finishes for both interior and exterior applications
- Nominal 2", 4", 6", 8", 10", and 12" wide planks, including nominal 1" reveal (contact ASQuote for custom capabilities at asquote@armstrongceilings.com)
- new** Standard planks in WH, SG, and MY finishes included in FAST3 program
- new** CleanAssure™ family of products – includes disinfectable planks, suspension systems, and trim
- Discontinuous ceilings possible with Effects™ trim or Axiom® trim, using the Adjustable Trim Clip
- Mix and match widths for a striated visual
- Install in the ceiling, on the wall, or create 90° angled or curved ceiling-to-wall transitions
- Available for exterior applications, tested to meet wind uplift Classes 30, 60, and 90
- Achieve high sound absorption for increased acoustical performance with microperforated planks
- Fast and easy installation
- new** Integrate with pre-engineered Axiom® Field Light Covers for Specialty Ceilings to achieve predictable lighting performance

COLORS Due to printing limitations, shade may vary from actual product.

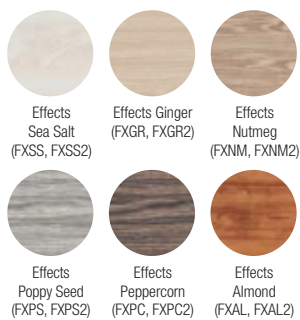
MetalWorks™ (Interior, Exterior)



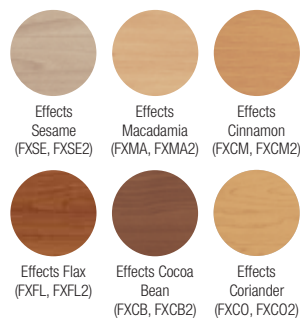
Effects™ Classic (Interior, Exterior)



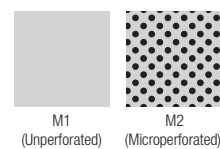
new Effects™ Bold (Interior, Exterior)



new Effects™ Subtle (Interior, Exterior)



PERFORATION OPTIONS (1:2 scale shown)



METALWORKS™ Linear – Classics™

Interior & Exterior

smooth texture

LEED WELL LBC
 UP TO 25% RECYCLED CONTENT
 Calculate sustainability with GreenGenie™
 armstrongceilings.com/greengenie

- energy management
- construction waste mgmt
- regional materials
- design for flexibility
- EPD
- recyclable/extended producer resp.
- bio-based materials
- recycled content
- sourcing of raw materials
- material ingredient reporting
- low emitting materials
- lighting quality
- acoustics

LOCATION DEPENDENT

WITH INFILL PANEL

VISUAL SELECTION

Item No. ♦	Description	Dimensions Nominal W x L x H (Inches) Custom Sizes Available
METALWORKS™ Linear – Classics™ Planks		
8120_-----	2" Unperforated	2 x 96 x 5/8"
5490_-----	4" Unperforated	4 x 96 x 5/8"
7160_-----	6" Unperforated	6 x 96 x 5/8"
5491_-----	8" Unperforated	8 x 96 x 5/8"
8122_-----	10" Unperforated	10 x 96 x 5/8"
5570_-----	12" Unperforated	12 x 96 x 5/8"
8121_-----	2" Microperforated (with plain border and acoustical fleece)	2 x 96 x 5/8"
5492_-----	4" Microperforated (with plain border and acoustical fleece)	4 x 96 x 5/8"
7161_-----	6" Microperforated (with plain border and acoustical fleece)	6 x 96 x 5/8"
5493_-----	8" Microperforated (with plain border and acoustical fleece)	8 x 96 x 5/8"
8123_-----	10" Microperforated (with plain border and acoustical fleece)	10 x 96 x 5/8"
5571_-----	12" Microperforated (with plain border and acoustical fleece)	12 x 96 x 5/8"



Made-to-order items ready to ship from manufacturer to shipping location in 3 weeks or less. For more information visit: armstrongceilings.com/fast134

♦ When specifying or ordering, include the appropriate 2-, 3-, 4-, or 5-letter color suffix (e.g., 5490 W H, 5490 W H 2, 5490 E X C H, 5490 E X C H 2).
 * NRC 0.85 with optional fiberglass infill.

PERFORMANCE

Dots represent high level of performance.

Fire Performance	Light Reflect	CleanAssure™ Disinfectable Panels										Acoustics	
		Fog	Spray	Wipe	Wash	Scrub	Impact	Scratch	Soil	DURABILITY			
Class A	0.73	•	•	•	•	•	•	•	•	•	•	•	N/A
Class A	0.73	•	•	•	•	•	•	•	•	•	•	•	N/A
Class A	0.73	•	•	•	•	•	•	•	•	•	•	•	N/A
Class A	0.73	•	•	•	•	•	•	•	•	•	•	•	N/A
Class A	0.73	•	•	•	•	•	•	•	•	•	•	•	N/A
Class A	N/A	•	•	•	•	•	•	•	•	•	•	•	N/A
Class A	N/A	•	•	•	•	•	•	•	•	•	•	•	0.70 0.85*
Class A	N/A	•	•	•	•	•	•	•	•	•	•	•	0.70 0.85*
Class A	N/A	•	•	•	•	•	•	•	•	•	•	•	0.70 0.85*
Class A	N/A	•	•	•	•	•	•	•	•	•	•	•	0.70 0.85*
Class A	N/A	•	•	•	•	•	•	•	•	•	•	•	0.70 0.85*

PHYSICAL DATA

Material
 ElectroGalvanized Steel – thickness 0.028"

Surface Finish
 Available in White, Silver Grey, Gun Metal Grey, and Effects™ Wood Looks powder-coated, post-production finishes. Planks are finished on both sides for exterior applications. Custom colors also available. Contact TechLine for custom color matching requests at 1 877 276 7876.

Edge Detail
 Square with extended flange. To create contrast visual, flange is covered with 1-1/4" Black Contrast Filler Strip Item 5494.

Fire Performance
 Class A: ASTM E84 and CAN/ULC S102.
 Flame Spread Index 25 or less. Smoke Developed Index 50 or less.

ASTM E1264 Classification
 Fire Class – Class A
 Unperforated – Type XX, Pattern G
 Perforated – Type XX, Pattern C

Seismic Restraint
 MetalWorks™ Linear – Classics™ planks have been engineered, tested, and approved for application in all seismic areas when installed per Armstrong Ceilings installation instructions.

Wind Uplift Performance
 All planks tested for wind uplift Classes 30, 60, and 90. Specific installation recommendations to meet these wind classes are available. There is no acoustical fleece on exterior planks. For more information, contact TechLine at 1 877 276 7876.

Cleaning and Disinfecting
 Cleaning and CDC approved disinfecting options available on armstrongceilings.com/cleaning

Warranty
 Details at armstrongceilings.com/warranty

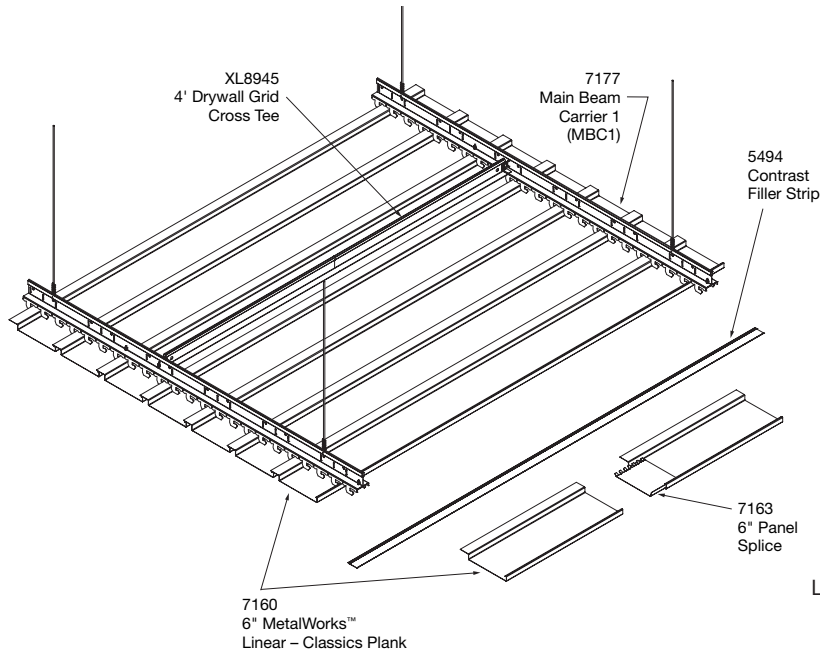
FAST1, 3, 4 Considerations
 Size of Job Matters: Big jobs, over 2500 SF or 50 pieces for shapes/vertical elements may have longer lead times.
 Location Matters: Transit time not included. We are ready to ship FAST1 products, but for Western U.S. (Wyoming and west) shipments, assume +1 week.
 Distributor Truck Schedule Matters: We rely on distribution to help move products around the country. When speed matters, work with your local distributor to ensure FAST service.
 Stock vs Made-to-Order Matters: FAST3 & FAST4 items are made-to-order and will ship direct. FAST1 (stocked items) will go through distribution and depend on distributor truck schedules.

Weight; Square Feet/Carton
 8120, 8121 – 1.61 lbs/SF; 24 pcs/ctn or 192 LF/ctn; 32 SF/ctn
 5490, 5492 – 1.61 lbs/SF; 16 pcs/ctn or 128 LF/ctn; 43 SF/ctn
 5491, 5493 – 1.61 lbs/SF; 10 pcs/ctn or 80 LF/ctn; 53 SF/ctn
 5570, 5571 – 1.61 lbs/SF; 6 pcs/ctn or 48 LF/ctn; 48 SF/ctn
 8122, 8123 – 1.61 lbs/SF; 8 pcs/ctn or 64 LF/ctn; 53 SF/ctn
 7160, 7161 – 1.61 lbs/SF; 12 pcs/ctn or 96 LF/ctn; 48 SF/ctn

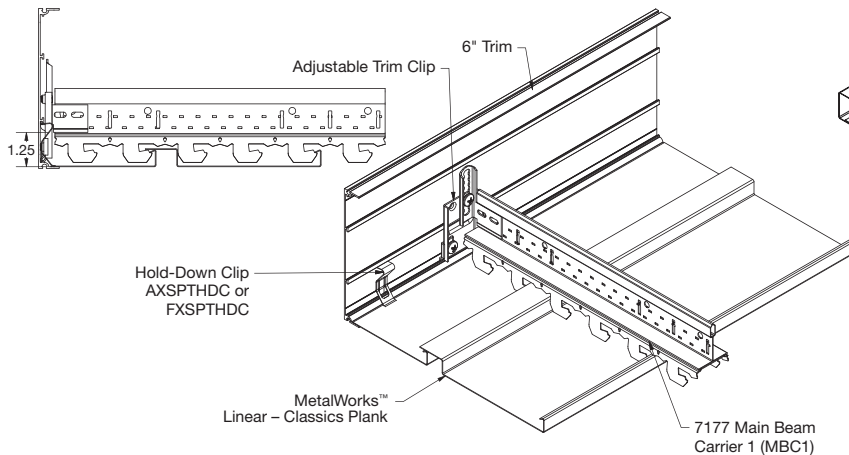
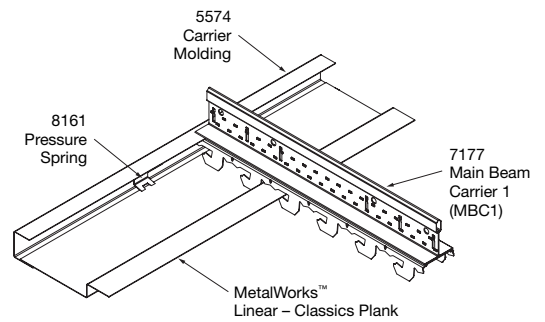
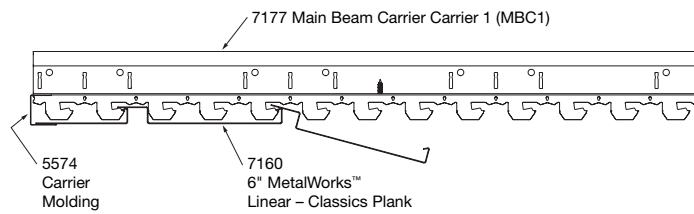
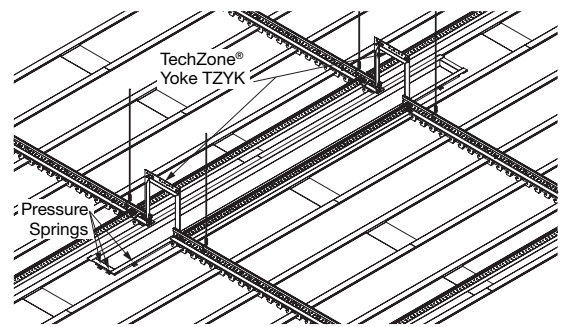
METALWORKS™ Linear – Classics™

Interior & Exterior
smooth texture

INSTALLATION DETAILS



Linear Light Integration



METALWORKS™ Linear – Classics™

Interior & Exterior

smooth texture

ACCESSORIES

Item No. ♦	Description	Dimensions Nominal L x W x H (Inches)	Pieces/ Carton	Colors
8161	Pressure Spring	3/4 x 3/4 x 1-1/8"	50	N/A
8138_ _ _ _ _	2" End Cap	1 x 2 x 5/8"	50	Interior/Exterior Colors
5581_ _ _ _ _	4" End Cap	1 x 4 x 5/8"	50	Interior/Exterior Colors
7162_ _ _ _ _	6" End Cap	1 x 6 x 5/8"	50	Interior/Exterior Colors
5582_ _ _ _ _	8" End Cap	1 x 7 x 5/8"	50	Interior/Exterior Colors
8139_ _ _ _ _	10" End Cap	1 x 10 x 5/8"	50	Interior/Exterior Colors
5583_ _ _ _ _	12" End Cap	1 x 12 x 5/8"	50	Interior/Exterior Colors
8159	2" Panel Splice	4 x 2 x 1/2"	50	N/A
5495	4" Panel Splice	4 x 3-1/4 x 9/16"	50	N/A
7163	6" Panel Splice	4 x 6 x 1/2"	50	N/A
5496	8" Panel Splice	8 x 7-1/4 x 9/16"	50	N/A
7237	Cut Plank Support Bracket	2-1/2 x 2-1/2 x 1-1/4"	50	N/A
7239	Adjustable Trim Clip	–	25	N/A
5494	Contrast Filler Strip	96 x 1/4 x 1/16"	50	Black

♦ When specifying or ordering, include the appropriate 4- or 5-letter color suffix (e.g., 5583 E X C H, 5583 E X C H 2).

TRIM Required clips must be ordered separately

Item No. ♦	Description	Dimensions Nominal L x W x H (Inches)	Pieces/ Carton	Colors
AX6VESTR_ _	Axiom® Vector Trim – 6" Straight	3/4 x 120 x 6"	–	WH, SG, MY, BL
AX4STR_ _ _	Axiom® Classic Trim – 4" Straight	3/4 x 120 x 4"	–	WH, SG, MY, BL
5346_ _ _ _ _	6" Effects™ Wood Looks Trim	Nominal 120" length	6	All Wood Looks Effects™ Finishes

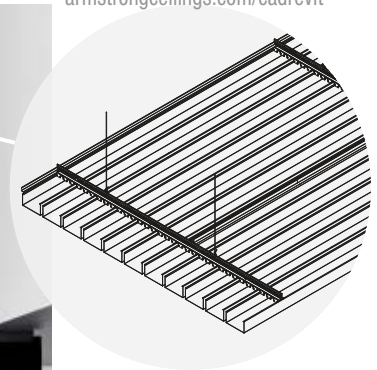
♦ When specifying or ordering, include the appropriate 2- or 4-letter color suffix (e.g., AX6VESTR W H, 5346 E X C H).

SUSPENSION SYSTEM COMPONENTS

Item No. ♦	Description	Dimensions Nominal L x W x H (Inches)	Pieces/ Carton
7177	Main Beam Carrier 1 (MBC1)	144 x 1-3/4 x 2-3/4"	10
5574_ _ _ _ _	Carrier Molding	120 x 1 x 1"	10
XL8945P	4' Drywall Cross Tee (for interior installations)	48 x 1-1/2 x 1-1/2"	36
XL7936G90	3' Drywall Cross Tee (for exterior installations)	36 x 1-1/2 x 1-1/2"	36
XL8926G90	2' Drywall Cross Tee (for exterior installations)	24 x 1-1/2 x 1-1/2"	36

NOTE: Due to the non-standard suspension system of this product, call TechLine at 1 877 276 7876 to place an order.

CAD/Revit® drawings at:
armstrongceilings.com/cadrevit



plus capabilities
to do more



▲ MetalWorks™ Linear – Diverge™ planks in Effects™ Poppy Seed and Gun Metal Grey

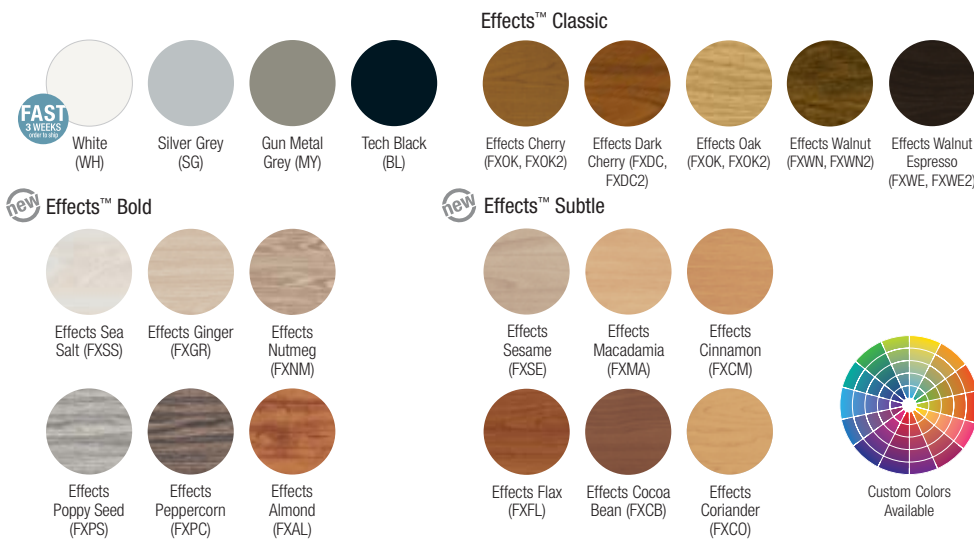
armstrongceilings.com/capabilities
See more photos at:
armstrongceilings.com/photogallery

Dimensional metal planks deliver an upscale, open reveal visual with countless configuration possibilities.

KEY SELECTION ATTRIBUTES

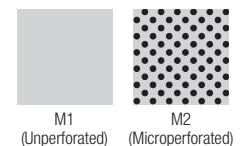
- New Main Beam Carrier 2 (item 7277BL) for use with two unique systems: Linear – Synchro™ and Linear – Diverge™
- Nominal 2", 4", 6", 9", 11", and 13" wide planks with 1", 2", 3", or 4" depths, available in four standard metal finishes and 17 Effects™ finishes
- 4" and 6" White planks with 2" depth only included in the new FAST3 program
- Discontinuous ceilings possible with Axiom® trim or coordinating Effects trim using the Adjustable Trim Clip
- Mix and match various plank widths and depths in the same installation to add drama with dimension to interiors
- CleanAssure™ family of products – includes disinfectable planks, suspension systems, and trim
- Planks and suspension system tested and approved for seismic areas per ASTM E580, AC 156 Acceptance Criteria for Seismic Qualification Testing of Non-structural Components, and ASTM 3118
- Integrated downlighting solutions from USAI® sit perfectly flush with the plank face for a sleek visual and can be supported by linear suspension system
- Planks easily snap into lower hooks of MBC2 carrier for fast installation
- Achieve high sound absorption for increased acoustical performance with microperforated planks – 0.70 NRC
- Integrate with pre-engineered Axiom Indirect Field Light Coves for Specialty Ceilings to achieve predictable lighting performance

COLORS Due to printing limitations, shade may vary from actual product.



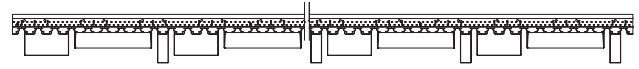
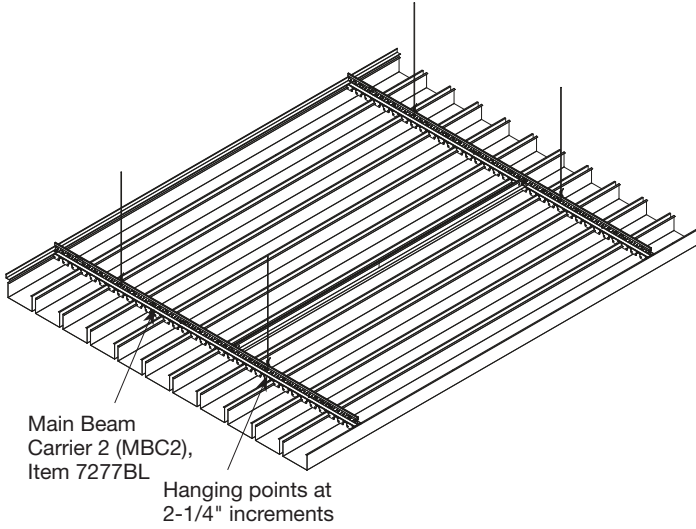
PERFORATION OPTIONS

(1:2 scale shown)

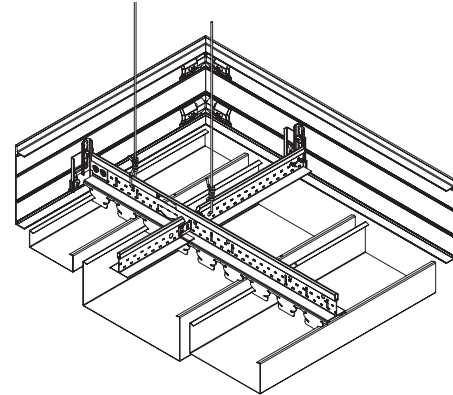


INSTALLATION DETAILS

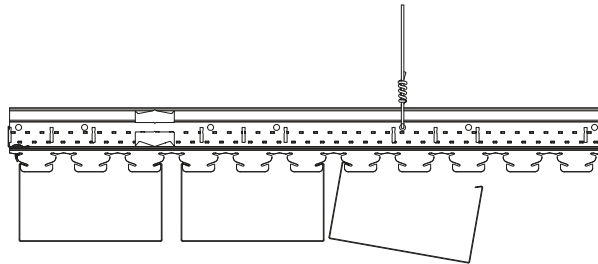
MBC2 Carrier for Diverge™ installed 48" O.C.



Varying Diverge plank widths on MBC2 in a pattern of 2", 6", and 11"



MetalWorks Linear - Diverge Discontinuous Ceiling with Axiom® Trim



Diverge Planks snap into lower hooks of MBC2 carrier

ACCESSORIES – END CAPS

Item No. ◆	Description	Pieces/ Carton	Finish Selection
8232A21M1 _ _ _ _	2" x 1" End Cap	10	WH, SG, MY, BL, and all Effects™ Wood Looks
8232A22M1 _ _ _ _	2" x 2" End Cap	10	WH, SG, MY, BL, and all Effects Wood Looks
8232A41M1 _ _ _ _	4" x 1" End Cap	10	WH, SG, MY, BL, and all Effects Wood Looks
8232A42M1 _ _ _ _	4" x 2" End Cap	10	WH, SG, MY, BL, and all Effects Wood Looks
8232A43M1 _ _ _ _	4" x 3" End Cap	10	WH, SG, MY, BL, and all Effects Wood Looks
8232A44M1 _ _ _ _	4" x 4" End Cap	10	WH, SG, MY, BL, and all Effects Wood Looks
8232A61M1 _ _ _ _	6" x 1" End Cap	10	WH, SG, MY, BL, and all Effects Wood Looks
8232A62M1 _ _ _ _	6" x 2" End Cap	10	WH, SG, MY, BL, and all Effects Wood Looks
8232A63M1 _ _ _ _	6" x 3" End Cap	10	WH, SG, MY, BL, and all Effects Wood Looks
8232A64M1 _ _ _ _	6" x 4" End Cap	10	WH, SG, MY, BL, and all Effects Wood Looks
8232A91M1 _ _ _ _	9" x 1" End Cap	10	WH, SG, MY, BL, and all Effects Wood Looks
8232A92M1 _ _ _ _	9" x 2" End Cap	10	WH, SG, MY, BL, and all Effects Wood Looks
8232A93M1 _ _ _ _	9" x 3" End Cap	10	WH, SG, MY, BL, and all Effects Wood Looks
8232AB1M1 _ _ _ _	11" x 1" End Cap	10	WH, SG, MY, BL, and all Effects Wood Looks
8232AB2M1 _ _ _ _	11" x 2" End Cap	10	WH, SG, MY, BL, and all Effects Wood Looks
8232AD1M1 _ _ _ _	13" x 1" End Cap	10	WH, SG, MY, BL, and all Effects Wood Looks
8232AD2M1 _ _ _ _	13" x 2" End Cap	10	WH, SG, MY, BL, and all Effects Wood Looks

◆ When specifying or ordering, include the appropriate 2- or 4-letter color suffix (e.g., 8232A21M1 B L, 8232A21M1 E X C H).

ACCESSORIES – SPLICE PLATES

Item No. ♦	Description	Pieces/ Carton	Finish Selection
8242A21	2" x 1" Splice Plate	10	N/A
8242A22	2" x 2" Splice Plate	10	N/A
8242A41	4" x 1" Splice Plate	10	N/A
8242A42	4" x 2" Splice Plate	10	N/A
8242A43	4" x 3" Splice Plate	10	N/A
8242A44	4" x 4" Splice Plate	10	N/A
8242A61	6" x 1" Splice Plate	10	N/A
8242A62	6" x 2" Splice Plate	10	N/A
8242A63	6" x 3" Splice Plate	10	N/A
8242A64	6" x 4" Splice Plate	10	N/A
8242A91	9" x 1" Splice Plate	10	N/A
8242A92	9" x 2" Splice Plate	10	N/A
8242A93	9" x 3" Splice Plate	10	N/A
8242AB1	11" x 1" Splice Plate	10	N/A
8242AB2	11" x 2" Splice Plate	10	N/A
8242AD1	13" x 1" Splice Plate	10	N/A
8242AD2	13" x 2" Splice Plate	10	N/A

TRIM <small>Required clips must be ordered separately</small>		Dimensions Nominal L x W x H (Inches)	Pieces/ Carton	Finish Selection
Item No. ♦	Description			
AX6VESTR __	Axiom® Vector Trim – 6" Straight	3/4 x 120 x 6"	–	WH, SG, MY, BL
AX4STR ___	Axiom® Classic Trim – 4" Straight	3/4 x 120 x 4"	–	WH, SG, MY, BL
5344 _ _ _ _	4" Effects™ Wood Looks Trim	Nominal 120" length	6	All Effects Wood Looks
5346 _ _ _ _	6" Effects Wood Looks Trim	Nominal 120" length	6	All Effects Wood Looks

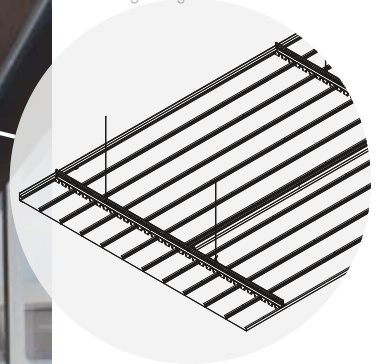
♦ When specifying or ordering, include the appropriate 2- or 4-letter color suffix (e.g., AX6VESTR W H, 5346 E X C H).

SUSPENSION SYSTEM COMPONENTS

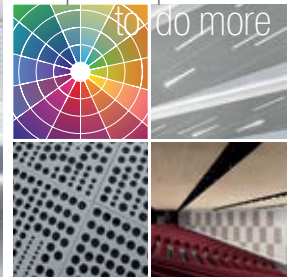
Item No. ♦	Description	Dimensions Nominal L x W x H (Inches)	Pieces/ Carton
7277BL	Main Beam Carrier 2 (MBC2) – Tech Black	144 x 1-3/4 x 2-3/4"	10
5574 _ _ _ _	Carrier Molding (optional)	120 x 1 x 1"	10
XL8945PBL	4' Drywall Cross Tee – Tech Black	48 x 1-1/2 x 1-1/2"	36
XL8926BL	2' Drywall Cross Tee – Tech Black	24 x 1-1/2 x 1-1/2"	36

NOTE: Please contact ASQuote or ASOrder@armstrongceilings.com for this system.

CAD/Revit® drawings at:
armstrongceilings.com/cadrevit



plus capabilities
to do more



▲ MetalWorks™ Linear – Synchro™ perforated planks in Effects™ Ginger with USAI® BeveLED 2.2 light fixtures

armstrongceilings.com/capabilities
See more photos at:
armstrongceilings.com/photogallery

Smooth, durable, and accessible system provides a monolithic, no reveal look in a variety of sizes and finishes.

KEY SELECTION ATTRIBUTES

- New Main Beam Carrier 2 (item 7277MF) for use with two unique systems: Linear – Synchro™ and Linear – Diverge™
- Nominal 2", 4", 6", 9", 11", and 13" wide planks, available in four standard metal finishes and 17 Effects™ finishes
- 4" and 6" White planks only included in the new FAST3 program
- Discontinuous ceilings possible with Axiom® trim or coordinating Effects trim using the Adjustable Trim Clip
- Smooth, monolithic visual with durable metal planks for high traffic spaces
- CleanAssure™ family of products – includes disinfectable planks, suspension systems, and trim
- Planks and suspension system tested and approved for seismic areas per ASTM E580, AC 156 Acceptance Criteria for Seismic Qualification Testing of Non-structural Components, and ASTM 3118
- Integrated downlighting solutions from USAI® sit perfectly flush with the plank face for a sleek visual and can be supported by linear suspension system
- Planks easily snap into upper hooks of MBC2 carrier for fast installation
- Achieve high sound absorption for increased acoustical performance with microperforated planks – 0.70 NRC
- Integrate with pre-engineered Axiom® Indirect Field Light Coves for Specialty Ceilings to achieve predictable lighting performance

COLORS Due to printing limitations, shade may vary from actual product.

Effects™ Classic

White (WH)	Silver Grey (SG)	Gun Metal Grey (MY)	Tech Black (BL)	Effects Cherry (FXCH)	Effects Dark Cherry (FXDC)	Effects Oak (FXOK)	Effects Walnut (FXWN)	Effects Walnut Espresso (FXWE)

Effects™ Bold

Effects Sea Salt (FXSS)	Effects Ginger (FXGR)	Effects Nutmeg (FXNM)
Effects Poppy Seed (FXPS)	Effects Peppercorn (FXPC)	Effects Almond (FXAL)

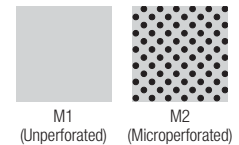
Effects™ Subtle

Effects Sesame (FXSE)	Effects Macadamia (FXMA)	Effects Cinnamon (FXCM)
Effects Flax (FXFL)	Effects Cocoa Bean (FXCB)	Effects Coriander (FXCO)

Custom Colors Available

PERFORATION OPTIONS

(1:2 scale shown)



new METALWORKS™ Linear – Synchro™
smooth texture

LEED® WELL™ LBC UP TO **25% RECYCLED CONTENT**
Calculate sustainability with GreenGenie™ armstrongceilings.com/greengenie

- energy management
- construction waste mgmt
- regional materials
- design for flexibility
- EPD
- recyclable/extended producer resp.
- bio-based materials
- recycled content
- sourcing of raw materials
- material ingredient reporting
- low emitting materials
- lighting quality
- acoustics

LOCATION DEPENDENT

WHITE ONLY WITH INFILL PANEL

VISUAL SELECTION

Item No. ♦	Description	Dimensions Nominal W x L x D (Inches) Custom Sizes Available
METALWORKS™ Linear – Synchro™ Planks		
8223W02	2" Plank	2 x 96 x 1"
8223W04	4" Plank	4 x 96 x 1"
8223W06	6" Plank	6 x 96 x 1"
8223W09	9" Plank	9 x 96 x 1"
8223W11	11" Plank	11 x 96 x 1"
8223W13	13" Plank	13 x 96 x 1"

♦ When specifying or ordering, include the appropriate 2-letter perforation suffix and 2- or 4-letter color suffix (e.g., 8223W04 M 1 E X C H, 8223W11 M 2 S G)



Made-to-order items ready to ship from manufacturer to shipping location in 3 weeks or less.
For more information visit armstrongceilings.com/fast134

PERFORMANCE Dots represent high level of performance.

Fire Performance	Light Reflect	CleanAssure™ Disinfectable Planks		DURABILITY						Acoustics	
		Fog	Spray	Wipe	Wash	Scrub	Impact	Scratch	Soil		
Class A	0.83	•	•	•	•	•	•	•	•	•	0.70
Class A	0.83	•	•	•	•	•	•	•	•	•	0.70
Class A	0.83	•	•	•	•	•	•	•	•	•	0.70
Class A	0.83	•	•	•	•	•	•	•	•	•	0.70
Class A	0.83	•	•	•	•	•	•	•	•	•	0.70

PHYSICAL DATA

Material
Electrogalvanized Steel – thickness 0.028"

Surface Finish
Available in White, Silver Grey, Gun Metal Grey, Tech Black, and Effects™ Wood Looks powder-coated, post-production finishes. Natural Reflections finishes and other colors are available as custom. Contact ASQuote@armstrongceilings.com for custom requests.

Plank Reveal
MetalWorks™ Linear – Synchro™ planks have a butt joint installation with no reveal between planks for a monolithic visual.

Fire Performance
Class A: ASTM E84 and CAN/ULC S102. Flame Spread Index 25 or less. Smoke Developed Index 50 or less.

ASTM E1264 Classification
Fire Class – Class A
Unperforated – Type XX, Form 2, Pattern G
Perforated – Type XX, Form 2, Pattern C

Seismic Restraint
MetalWorks Linear – Synchro planks have been engineered, tested, and approved for application in all seismic areas when installed per Armstrong Ceilings installation instructions.
When installed properly, both planks and suspension have been tested to stay in place through vibrations and other seismic events.

Cleaning and Disinfecting
Cleaning and CDC approved disinfecting options available on armstrongceilings.com/cleaning

Warranty
Details at armstrongceilings.com/warranty

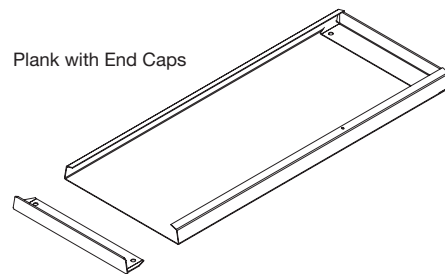
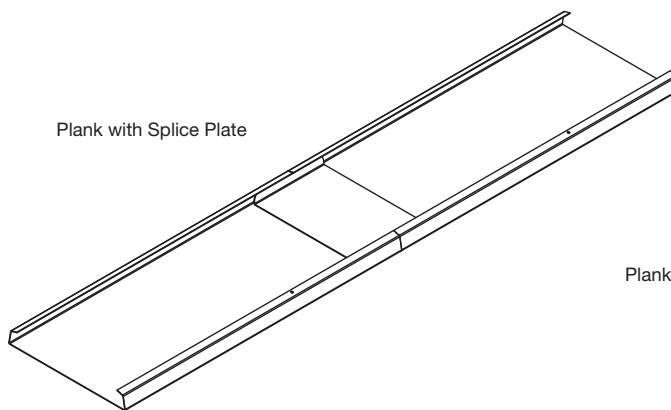
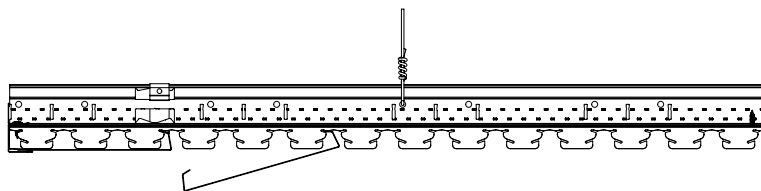
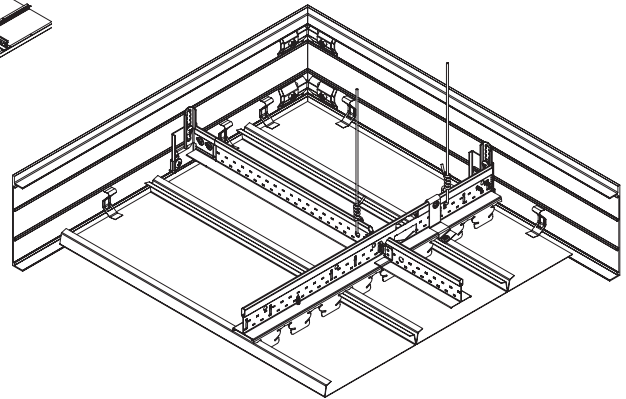
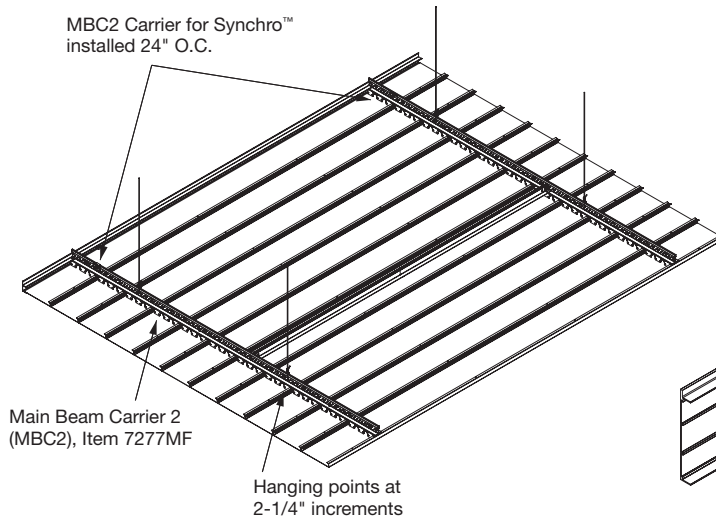
FAST134 Considerations
Size of Job Matters: Big jobs, over 2500 SF or 50 pieces for shapes/vertical elements may have longer lead times.
Location Matters: Transit time not included. We are ready to ship FAST1 products, but for Western U.S. (Wyoming and west) shipments, assume +1 week.

Distributor Truck Schedule Matters: We rely on distribution to help move products around the country. When speed matters, work with your local distributor to ensure FAST service.

Stock vs Made-to-Order Matters: FAST3 & FAST4 items are made-to-order and will ship direct. FAST1 (stocked items) will go through distribution and depend on distributor truck schedules.

Weight; Square Feet/Carton
8223W02 – 3.5 lbs/SF; 16 pcs/ctn; 24 SF/ctn
8223W04 – 4.45 lbs/SF; 12 pcs/ctn; 36 SF/ctn
8223W06 – 6.05 lbs/SF; 8 pcs/ctn; 36 SF/ctn
8223W09 – 7.95 lbs/SF; 6 pcs/ctn; 36 SF/ctn
8223W11 – 9.6 lbs/SF; 4 pcs/ctn; 30 SF/ctn
8223W13 – 10.85 lbs/SF; 4 pcs/ctn; 33 SF/ctn

INSTALLATION DETAILS



ACCESSORIES

Item No. ♦	Description	Pieces/ Carton	Finish Selection
8161	Pressure Spring	50	N/A
8233W02M1_ _ _ _	2" End Cap	10	WH, SG, MY, BL, and all Effects™ Wood Looks
8233W04M1_ _ _ _	4" End Cap	10	WH, SG, MY, BL, and all Effects Wood Looks
8233W06M1_ _ _ _	6" End Cap	10	WH, SG, MY, BL, and all Effects Wood Looks
8233W09M1_ _ _ _	9" End Cap	10	WH, SG, MY, BL, and all Effects Wood Looks
8233W11M1_ _ _ _	11" End Cap	10	WH, SG, MY, BL, and all Effects Wood Looks
8233W13M1_ _ _ _	13" End Cap	10	WH, SG, MY, BL, and all Effects Wood Looks
8243W02	2" Splice Plate	10	N/A
8243W04	4" Splice Plate	10	N/A
8243W06	6" Splice Plate	10	N/A
7113	Spreader Hold Down	40	N/A

TRIM <small>Required clips must be ordered separately</small>		Dimensions Nominal L x W x H (Inches)	Pieces/ Carton	Colors
Item No. ♦	Description			
AX6VESTR_ _	Axiom® Vector® Trim – 6" Straight	3/4 x 120 x 6"	–	WH, SG, MY, BL
AX4STR_ _ _	Axiom® Classic Trim – 4" Straight	3/4 x 120 x 4"	–	WH, SG, MY, BL
5344_ _ _ _	4" Effects Wood Looks Trim	Nominal 120" length	6	All Effects Wood Looks
5346_ _ _ _	6" Effects Wood Looks Trim	Nominal 120" length	6	All Effects Wood Looks
7239	Adjustable Trim Clip	2-1/2 x 2-1/2 x 1-1/4"	25	N/A

SUSPENSION SYSTEM COMPONENTS		Dimensions Nominal L x W x H (Inches)	Pieces/ Carton
Item No. ♦	Description		
7237	Cut Plank Support Bracket	2-1/2 x 2-1/2 x 1-1/4"	25
7277MF	Main Beam Carrier 2 (MBC2) – Mill Finish	144 x 1-3/4 x 2-3/4"	10
5574_ _ _ _ _	Carrier Molding	120 x 1 x 1"	10
7800_	Hemmed Angle Molding (Seismic installations only)	144 x 7/8 x 7/8"	30
XL8926	2' Drywall Cross Tee	24 x 1-1/2 x 1-1/2"	36

♦ When specifying or ordering, include the appropriate letter color suffix (e.g., 8233W02M1 **B** L, 8233W02M1 **E** X **C** H).

TAKE THE NEXT STEP

1 877 276 7876

Customer Service Representatives
7:45 a.m. to 5:00 p.m. EST
Monday through Friday

TechLine – Technical information, detail drawings,
CAD design assistance, installation information,
other technical services – 8:00 a.m. to 5:30 p.m. EST,
Monday through Friday. FAX 1 800 572 8324
or email: techline@armstrongceilings.com

armstrongceilings.com/commercial

Latest product news
Standard and custom product information
Online catalog
CAD, Revit®, SketchUp® files
A Ceiling for Every Space® Visual Selection Tool
Product literature and samples – express service
or regular delivery
Contacts – reps, where to buy, who will install

YOU INSPIRE™ SOLUTIONS CENTER

1 800 988 2585
email: solutionscenter@armstrongceilings.com
armstrongceilings.com/youinspire

Design Assistance

Collaborative design
Detail drawings
Specifications
Planning and budgeting

Pre-construction Assistance

Layout drawings for standard
and premium products
Project installation recommendations
Contractor installation assistance

you inspire™
solutions center

helping to bring your one-of-a-kind ideas to life

Revit® is a registered trademark of Autodesk, Inc.; SketchUp® is a registered trademark of Trimble Navigation Limited; LEED® is a registered trademark of the U.S. Green Building Council. Inspiring Great Spaces® is a registered trademark of AFI Licensing LLC. All other trademarks used herein are the property of AWI Licensing LLC and/or its affiliates. © 2020 AWI Licensing LLC. Printed in the United States of America.

armstrongceilings.com/metalworks

On the cover: ▶
MetalWorks™ Linear – Diverge™
planks in Silver Grey, varying
widths and depths

Inspiring Great Spaces®

Armstrong®
CEILING & WALL SOLUTIONS