

plus capabilities
to do more



▲ MetalWorks™ Linear – Synchro™ perforated planks in Effects™ Ginger with USAI® BeveLED 2.2 light fixtures

armstrongceilings.com/capabilities
See more photos at:
armstrongceilings.com/photogallery

Smooth, durable, and accessible system provides a monolithic, no reveal look in a variety of sizes and finishes.

KEY SELECTION ATTRIBUTES

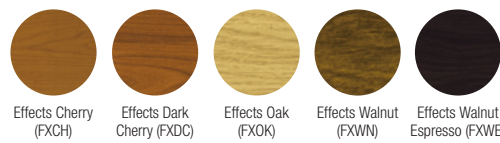
- New Main Beam Carrier 2 (item 7277MF) for use with two unique systems: Linear – Synchro™ and Linear – Diverge™
- Nominal 2", 4", 6", 9", 11", and 13" wide planks, available in four standard metal finishes and 17 Effects™ finishes
- Discontinuous ceilings possible with Axiom® trim or coordinating Effects trim using the Adjustable Trim Clip
- Smooth, monolithic visual with durable metal planks for high traffic spaces
- CleanAssure™ family of products – includes disinfectable planks, suspension systems, and trim
- Planks and suspension system tested and approved for seismic areas per ASTM E580, AC 156 Acceptance Criteria for Seismic Qualification Testing of Non-structural Components, and ASTM 3118
- Integrated downlighting solutions from USAI® sit perfectly flush with the plank face for a sleek visual and can be supported by linear suspension system
- Planks easily snap into upper hooks of MBC2 carrier for fast installation
- Achieve high sound absorption for increased acoustical performance with microperforated planks – 0.70 NRC
- Integrate with pre-engineered Axiom® Indirect Field Light Covers for Specialty Ceilings to achieve predictable lighting performance

COLORS Due to printing limitations, shade may vary from actual product.

MetalWorks™

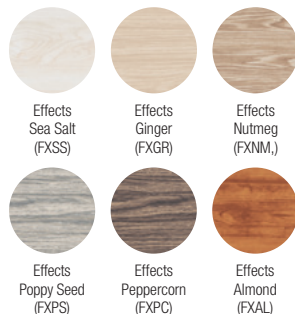


Effects™ Classic

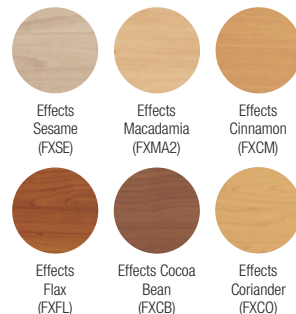


Custom Colors Available

new Effects™ Bold

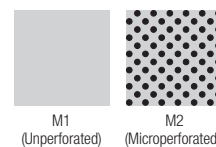


new Effects™ Subtle



PERFORATION OPTIONS

(1:2 scale shown)



LEED® WELL™ LBC
UP TO **25% RECYCLED CONTENT**

energy management
construction waste mgmt
regional materials
design for flexibility
EPD
recyclable/producer resp.
biobased materials
recycled content
sourcing of raw materials
material ingredient reporting
low emitting materials
lighting quality
acoustics

Calculate sustainability with GreenGenie™
armstrongceilings.com/greengenie

LOCATION DEPENDENT

WHITE WITH ONLY INFILL PANEL

VISUAL SELECTION

Item No. ♦	Description	Dimensions Nominal W x L x D (Inches) Custom Sizes Available	Module Width (Inches)
METALWORKS™ Linear – Synchro™ Planks 8223W02 _ _ _ _ _	2" Plank	2 x 96 x 1"	2.25"
8223W04 _ _ _ _ _	4" Plank	4 x 96 x 1"	4.50"
8223W06 _ _ _ _ _	6" Plank	6 x 96 x 1"	6.75"
8223W09 _ _ _ _ _	9" Plank	9 x 96 x 1"	9.00"
8223W11 _ _ _ _ _	11" Plank	11 x 96 x 1"	11.25"
8223W13 _ _ _ _ _	13" Plank	13 x 96 x 1"	13.50"

PERFORMANCE Dots represent high level of performance.

Fire Performance	Light Reflect (M1 White only)	CleanAssure™ Disinfectable Planks							DURABILITY			Acoustics (M2 Perf only)
		Fog	Spray	Wipe	Wash	Scrub	Impact	Scratch	Soil			
Class A	0.83	•	•	•	•	•	•	•	•	•	•	0.70
Class A	0.83	•	•	•	•	•	•	•	•	•	•	0.70
Class A	0.83	•	•	•	•	•	•	•	•	•	•	0.70
Class A	0.83	•	•	•	•	•	•	•	•	•	•	0.70
Class A	0.83	•	•	•	•	•	•	•	•	•	•	0.70
Class A	0.83	•	•	•	•	•	•	•	•	•	•	0.70

♦ When specifying or ordering, include the appropriate 2-letter perforation suffix and 2- or 4-letter color suffix (e.g., 8223W04 M 1 F X C H, 8223W11 M 2 S G).

PHYSICAL DATA

Material
Electrogalvanized Steel – thickness 0.028"

Surface Finish
Available in White, Silver Grey, Gun Metal Grey, Tech Black, and Effects™ Wood Looks powder-coated, post-production finishes. Natural Reflections finishes and other colors are available as custom. Contact ASQuote@armstrongceilings.com for custom requests.

Plank Reveal
MetalWorks™ Linear – Synchro™ planks have a butt joint installation with no reveal between planks for a monolithic visual.

Fire Performance
Class A: ASTM E84 and CAN/ULC S102. Flame Spread Index 25 or less. Smoke Developed Index 50 or less.

ASTM E1264 Classification
Fire Class – Class A
Unperforated – Type XX, Form 2, Pattern G
Perforated – Type XX, Form 2, Pattern C

Seismic Restraint
MetalWorks Linear – Synchro planks have been engineered, tested, and approved for application in all seismic areas when installed per Armstrong Ceilings installation instructions.
When installed properly, both planks and suspension have been tested to stay in place through vibrations and other seismic events.

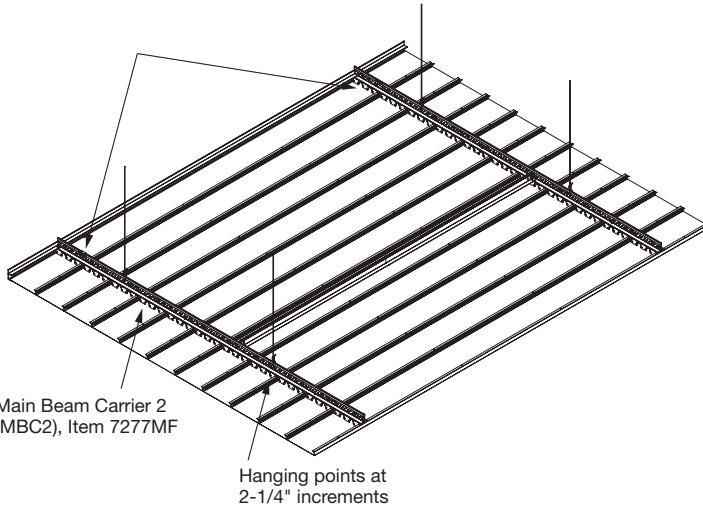
Cleaning and Disinfecting
Cleaning and CDC approved disinfecting options available on armstrongceilings.com/cleaning

Warranty
Details at armstrongceilings.com/warranty

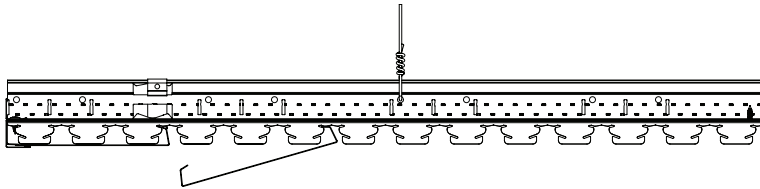
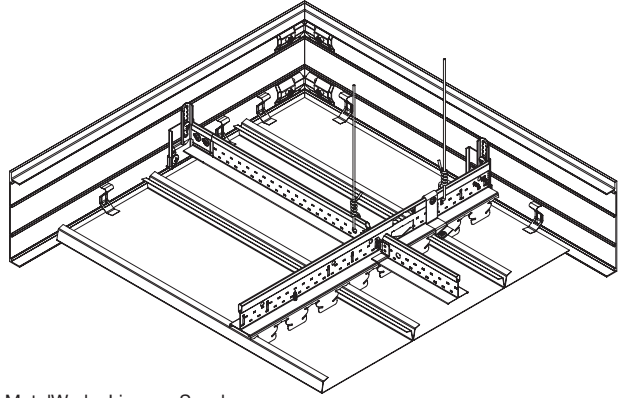
Weight: Square Feet/Carton
8223W02 – 3.5 lbs/SF; 16 pcs/ctn; 24 SF/ctn
8223W04 – 4.45 lbs/SF; 12 pcs/ctn; 36 SF/ctn
8223W06 – 6.05 lbs/SF; 8 pcs/ctn; 36 SF/ctn
8223W09 – 7.95 lbs/SF; 6 pcs/ctn; 36 SF/ctn
8223W11 – 9.6 lbs/SF; 4 pcs/ctn; 30 SF/ctn
8223W13 – 10.85 lbs/SF; 4 pcs/ctn; 33 SF/ctn



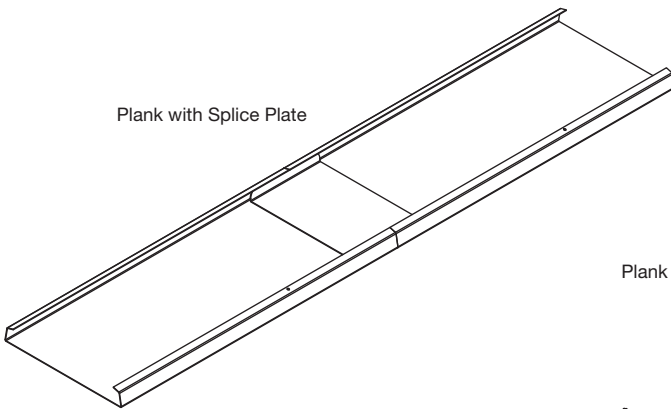
INSTALLATION DETAILS



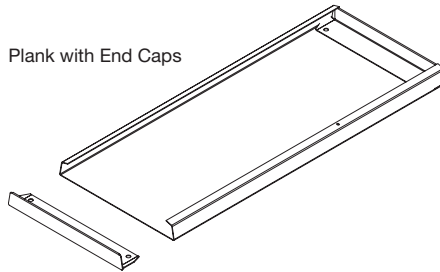
MBC2 Carrier for Synchro™ installed 24" O.C.



Plank with Splice Plate



Plank with End Caps



ACCESSORIES

Item No. ♦	Description	Pieces/ Carton	Finish Selection
8161	Pressure Spring	50	N/A
8233W02M1_ _ _ _	2" End Cap	10	WH, SG, MY, BL, and all Effects™ Wood Looks
8233W04M1_ _ _ _	4" End Cap	10	WH, SG, MY, BL, and all Effects Wood Looks
8233W06M1_ _ _ _	6" End Cap	10	WH, SG, MY, BL, and all Effects Wood Looks
8233W09M1_ _ _ _	9" End Cap	10	WH, SG, MY, BL, and all Effects Wood Looks
8233W11M1_ _ _ _	11" End Cap	10	WH, SG, MY, BL, and all Effects Wood Looks
8233W13M1_ _ _ _	13" End Cap	10	WH, SG, MY, BL, and all Effects Wood Looks
8243W02	2" Splice Plate	10	N/A
8243W04	4" Splice Plate	10	N/A
8243W06	6" Splice Plate	10	N/A
7113	Spreader Hold Down	40	N/A

TRIM Required clips must be ordered separately

Item No. ♦	Description	Dimensions Nominal L x W x H (Inches)	Pieces/ Carton	Colors
AX6VESTR_ _	Axiom® Vector® Trim – 6" Straight	3/4 x 120 x 6"	–	WH, SG, MY, BL
AX4STR_ _ _ _	Axiom® Classic Trim – 4" Straight	3/4 x 120 x 4"	–	WH, SG, MY, BL
5344_ _ _ _	4" Effects Wood Looks Trim	Nominal 120" length	6	All Effects Wood Looks
5346_ _ _ _	6" Effects Wood Looks Trim	Nominal 120" length	6	All Effects Wood Looks
7239	Adjustable Trim Clip	2-1/2 x 2-1/2 x 1-1/4"	25	N/A

SUSPENSION SYSTEM COMPONENTS

Item No. ♦	Description	Dimensions Nominal L x W x H (Inches)	Pieces/ Carton
7237	Cut Plank Support Bracket	2-1/2 x 2-1/2 x 1-1/4"	25
7277MF	Main Beam Carrier 2 (MBC2) – Mill Finish	144 x 1-3/4 x 2-3/4"	10
5574_ _ _ _	Carrier Molding	120 x 1 x 1"	10
7800_	Hemmed Angle Molding (Seismic installations only)	144 x 7/8 x 7/8"	30
XL8926	2" Drywall Cross Tee	24 x 1-1/2 x 1-1/2"	36

♦ When specifying or ordering, include the appropriate letter color suffix (e.g., 8233W02M1 BL, 8233W02M1 EXCH).

