

METALWORKS™ Linear – Classics
Interior & Exterior
smooth texture

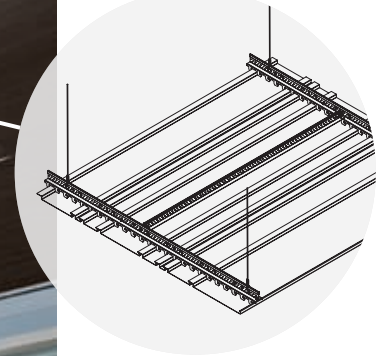
*Custom Looks
with Standard
Products*



24/7
DEFEND™
Solutions for Healthier,
Safer Spaces

CONTAIN CLEAN PROTECT

CAD/Revit® drawings at:
armstrongceilings.com/cadrevit



plus capabilities
to do more



▲ MetalWorks™ Linear – Classics Ceiling System in Effects™ Wood Looks Walnut Espresso with custom color filler strips

armstrongceilings.com/capabilities
See more photos at:
armstrongceilings.com/photogallery

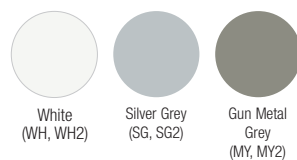
Durable, metal panels in more widths for a variety of flexible and unique acoustical interior/exterior solutions.

KEY SELECTION ATTRIBUTES

- New universal suspensions system will enable easy installation and a clean finished visual
- Nominal 2", 4", 6", 8", 10", and 12" wide panels, including nominal 1" reveal (contact ASQuote for custom capabilities at asquote@armstrongceilings.com)
- Discontinuous ceilings possible with Effects™ trim or Axiom® trim, using the Adjustable Trim Clip
- Mix and match widths for a striated visual
- **new** CleanAssure™ family of products – includes disinfectable panels, suspension systems, and trim
- **new** Select products included in the FAST134 program – ready to ship in 4 weeks or less
- Acoustical options with microperforated panels
- Fast and easy installation
- Install in the ceiling, on the wall
- Create 90° angled or curved ceiling-to-wall transitions
- Available for exterior applications, tested to meet wind uplift Classes 30, 60, and 90

COLORS Due to printing limitations, shade may vary from actual product.

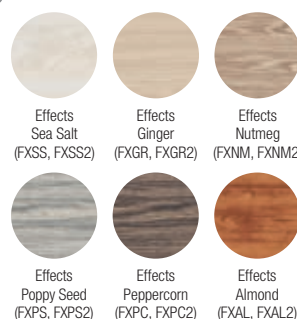
MetalWorks™ (Interior, Exterior)



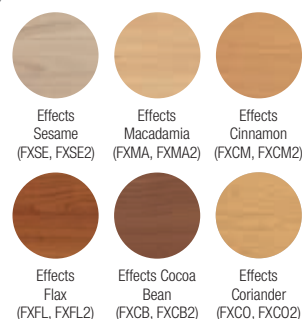
Effects™ Classic (Interior, Exterior)



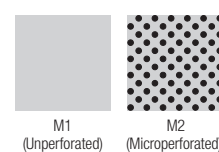
new **Effects™ Bold (Interior, Exterior)**



new **Effects™ Subtle (Interior, Exterior)**



PERFORATION OPTIONS (1:2 scale shown)



TechLine 877 276-7876
armstrongceilings.com/metalworkslinear



METALWORKS™ Linear – Classics

Interior & Exterior

smooth texture

LEED® WELL™ LBC

UP TO **25% RECYCLED CONTENT**

Calculate sustainability with GreenGenie™
armstrongceilings.com/greengenie

- energy management
- construction waste mgmt
- regional materials
- design for flexibility
- EPD
- recyclable/producer resp.
- biobased materials
- recycled content
- sourcing of raw materials
- material ingredient reporting
- low emitting materials
- lighting quality
- acoustics

LOCATION DEPENDENT

WITH INFILL PANEL

VISUAL SELECTION

Item No. ♦	Description	Dimensions Nominal W x L x H (Inches) Custom Sizes Available
METALWORKS™ Linear Planks 8120_-----	2" Unperforated	96 x 2 x 5/8"
5490_-----	4" Unperforated	96 x 4 x 5/8"
7160_-----	6" Unperforated	96 x 6 x 5/8"
5491_-----	8" Unperforated	96 x 8 x 5/8"
8122_-----	10" Unperforated	96 x 10 x 5/8"
5570_-----	12" Unperforated	96 x 12 x 5/8"
8121_-----	2" Microperforated (with plain border and acoustical fleece)	96 x 2 x 5/8"
5492_-----	4" Microperforated (with plain border and acoustical fleece)	96 x 4 x 5/8"
7161_-----	6" Microperforated (with plain border and acoustical fleece)	96 x 6 x 5/8"
5493_-----	8" Microperforated (with plain border and acoustical fleece)	96 x 8 x 5/8"
8123_-----	10" Microperforated (with plain border and acoustical fleece)	96 x 10 x 5/8"
5571_-----	12" Microperforated (with plain border and acoustical fleece)	96 x 12 x 5/8"

PERFORMANCE

Dots represent high level of performance.

Fire Performance	Light Reflect (White only)	CleanAssure™ Disinfectable Panels								Acoustics	
		Fog	Spray	Wipe	Wash	Scrub	Impact	Scratch	Soil		
Class A	0.73	•	•	•	•	•	•	•	•	•	N/A
Class A	0.73	•	•	•	•	•	•	•	•	•	N/A
Class A	0.73	•	•	•	•	•	•	•	•	•	N/A
Class A	0.73	•	•	•	•	•	•	•	•	•	N/A
Class A	0.73	•	•	•	•	•	•	•	•	•	N/A
Class A	0.73	•	•	•	•	•	•	•	•	•	N/A
Class A	N/A	•	•	•	•	•	•	•	•	•	N/A
Class A	N/A	•	•	•	•	•	•	•	•	•	0.70 0.85*
Class A	N/A	•	•	•	•	•	•	•	•	•	0.70 0.85*
Class A	N/A	•	•	•	•	•	•	•	•	•	0.70 0.85*
Class A	N/A	•	•	•	•	•	•	•	•	•	0.70 0.85*
Class A	N/A	•	•	•	•	•	•	•	•	•	0.70 0.85*



FAST134 program items ready to ship from manufacturer in 4 weeks or less. Up-to-date lead times and product options (sizes and colors) at armstrongceilings.com/fast134.

♦ When specifying or ordering, include the appropriate 2-, 3-, 4-, or 5-letter color suffix (e.g., 5490 W H, 5490 W H 2, 5490 E X C H, 5490 E X C H 2).
* NRC 0.85 with optional fiberglass infill.

PHYSICAL DATA

Material
Electrogalvanized Steel – thickness 0.028"

Surface Finish
Available in White, Silver Grey, Gun Metal Grey, and Effects™ Wood Looks powder-coated, post-production finishes. Panels are finished on both sides for exterior applications. Custom colors also available. Contact TechLine for custom color matching requests at 1 877 276 7876.

Edge Detail
Square with extended flange. To create contrast visual, flange is covered with 1-1/4" Black Contrast Filler Strip Item 5494.

Fire Performance
Class A: ASTM E84 and CAN/ULC S102.
Flame Spread Index 25 or less. Smoke Developed Index 50 or less.

ASTM E1264 Classification
Fire Class – Class A
Unperforated – Type XX, Pattern G
Perforated – Type XX, Pattern C

Seismic Restraint
MetalWorks™ Linear panels have been engineered, tested, and approved for application in all seismic areas when installed per Armstrong Ceilings installation instructions.

Wind Uplift Performance
All panels tested for wind uplift Classes 30, 60, and 90. Specific installation recommendations to meet these wind classes are available. There is no acoustical fleece on exterior panels. For more information, contact TechLine at 1 877 276 7876.

Cleaning and Disinfecting
Cleaning and CDC approved disinfecting options available on armstrongceilings.com/cleaning

Warranty
Details at armstrongceilings.com/warranty

FAST134 Program Considerations
Size of Job Matters: Big jobs, over 2500 SF or 50 pieces for shapes/vertical elements will have longer lead times.
Location Matters: Transit time not included. We are ready to ship in 1 week on FAST1 items. However, transit to the states west of Wyoming may add time.
Distributor Truck Schedule Matters: We rely on distribution to help move products around the country. When speed matters, work with your local distributor to ensure FAST134 service.
Stock vs Made-to-Order Matters: FAST3 & FAST4 items are made-to-order and will ship direct. FAST1 (stocked items) will go through distribution and depend on distributor truck schedules.

Weight: Square Feet/Carton
8120, 8121 – 1.61 lbs/SF; 24 pcs/ctn or 192 LF/ctn; 32 SF/ctn
5490, 5492 – 1.61 lbs/SF; 16 pcs/ctn or 128 LF/ctn; 43 SF/ctn
5491, 5493 – 1.61 lbs/SF; 10 pcs/ctn or 80 LF/ctn; 53 SF/ctn
5570, 5571 – 1.61 lbs/SF; 6 pcs/ctn or 48 LF/ctn; 48 SF/ctn
8122, 8123 – 1.61 lbs/SF; 8 pcs/ctn or 64 LF/ctn; 53 SF/ctn
7160, 7161 – 1.61 lbs/SF; 12 pcs/ctn or 96 LF/ctn; 48 SF/ctn



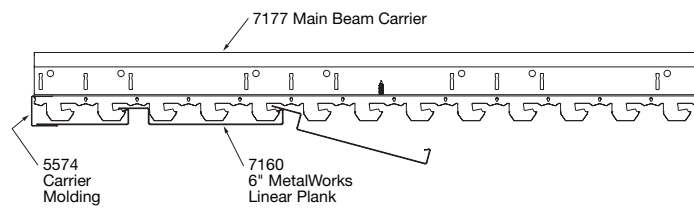
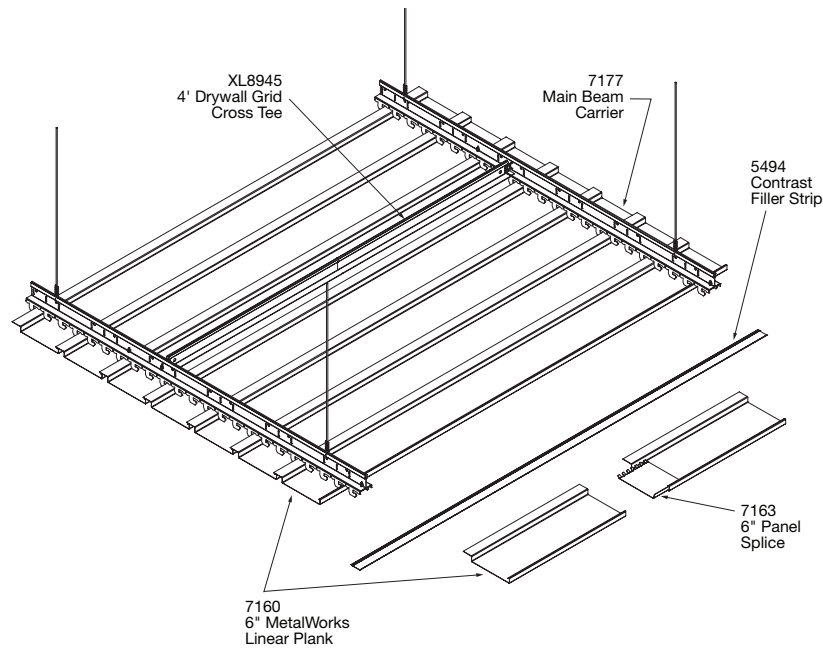
METALWORKS™ – Standard

METALWORKS™ Linear – Classics

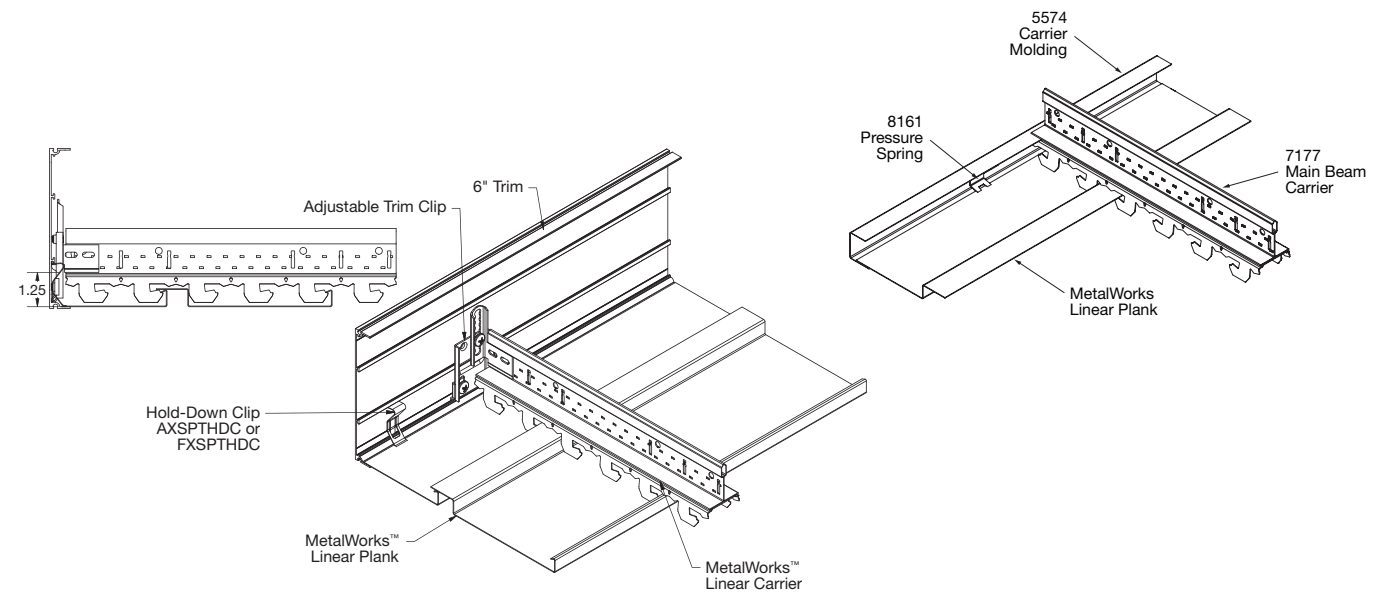
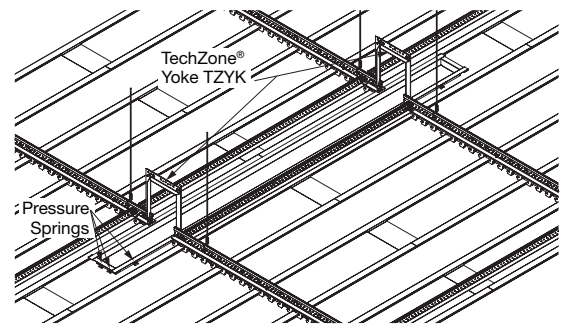
Interior & Exterior

smooth texture

INSTALLATION DETAILS



Linear Light Integration



METALWORKS™ Linear – Classics

Interior & Exterior

smooth texture

ACCESSORIES

Item No. ◆	Description	Dimensions Nominal L x W x H (Inches)	Pieces/ Carton	Colors
8161	Pressure Spring	3/4 x 3/4 x 1-1/8"	50	N/A
8138_ _ _ _ _	2" End Cap	1 x 2 x 5/8"	50	Interior/Exterior Colors
5581_ _ _ _ _	4" End Cap	1 x 4 x 5/8"	50	Interior/Exterior Colors
7162_ _ _ _ _	6" End Cap	1 x 6 x 5/8"	50	Interior/Exterior Colors
5582_ _ _ _ _	8" End Cap	1 x 7 x 5/8"	50	Interior/Exterior Colors
8139_ _ _ _ _	10" End Cap	1 x 10 x 5/8"	50	Interior/Exterior Colors
5583_ _ _ _ _	12" End Cap	1 x 12 x 5/8"	50	Interior/Exterior Colors
8159	2" Panel Splice	4 x 2 x 1/2"	50	N/A
5495	4" Panel Splice	4 x 3-1/4 x 9/16"	50	N/A
7163	6" Panel Splice	4 x 6 x 1/2"	50	N/A
5496	8" Panel Splice	8 x 7-1/4 x 9/16"	50	N/A
7237	Cut Plank Support Bracket	2-1/2 x 2-1/2 x 1-1/4"	50	N/A
7239	Adjustable Trim Clip	–	25	N/A
5494	Contrast Filler Strip	96 x 1/4 x 1/16"	50	Black

◆ When specifying or ordering, include the appropriate 4- or 5-letter color suffix (e.g., 5583 E X C H, 5583 E X C H 2).

TRIM Required clips must be ordered separately

Item No. ◆	Description	Dimensions Nominal L x W x H (Inches)	Pieces/ Carton	Colors
AX6VESTR_ _	Axiom® Vector Trim – 6" Straight	3/4 x 120 x 6"	–	WH, SG, MY, BL
AX4STR_ _ _	Axiom® Classic Trim – 4" straight	3/4 x 120 x 4"	–	WH, SG, MY, BL
5346_ _ _ _ _	6" Effects™ Wood Looks Trim	Nominal 120" length	6	All Effects Wood Looks
5344_ _ _ _ _	4" Effects™ Wood Looks Trim	Nominal 120" length	6	All Effects Wood Looks

◆ When specifying or ordering, include the appropriate 2- or 4-letter color suffix (e.g., AX6VESTR W H, 5346 E X C H).

SUSPENSION SYSTEM COMPONENTS

Item No. ◆	Description	Dimensions Nominal L x W x H (Inches)	Pieces/ Carton
7177	Main Beam Carrier Assembly	144 x 1-3/4 x 2-3/4"	10
5574_ _ _ _ _	Carrier Molding	120 x 1 x 1"	10
XL8945P	4' Drywall Cross Tee (for interior installations)	48 x 1-1/2 x 1-1/2"	36
XL7936G90	3' Drywall Cross Tee (for exterior installations)	36 x 1-1/2 x 1-1/2"	36
XL8926G90	2' Drywall Cross Tee (for exterior installations)	24 x 1-1/2 x 1-1/2"	36

NOTE: Due to the non-standard suspension system of this product, call TechLine at 1 877 276 7876 to place an order.

