

**new** METALWORKS™ Linear – Synchro™

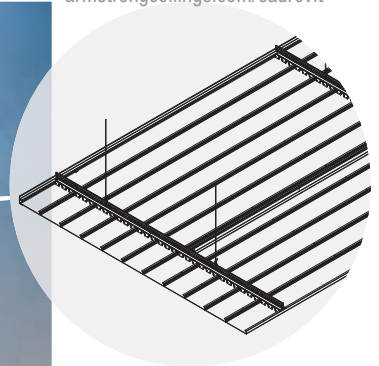
Standard Ceiling Planks  
smooth texture



**24/7  
DEFEND™**  
Solutions for Healthier,  
Safer Spaces

**CONTAIN CLEAN PROTECT**

CAD/Revit® drawings at:  
[armstrongceilings.com/cadrevit](http://armstrongceilings.com/cadrevit)



plus capabilities  
to do more



▲ MetalWorks™ Linear – Synchro™ unperforated, 6" planks in Effects™ Ginger

[armstrongceilings.com/capabilities](http://armstrongceilings.com/capabilities)  
See more photos at:  
[armstrongceilings.com/photogallery](http://armstrongceilings.com/photogallery)

Durable metal ceiling and wall system that provides a monolithic, no reveal look in a variety of sizes and finishes for interior and exterior applications.

**KEY SELECTION ATTRIBUTES**

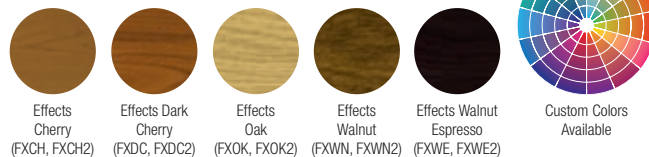
- new** • Nominal 2", 4", 6", 9", 11", and 13" wide, M1 only, planks now available for exterior applications in four standard metal finishes and 17 Effects™ finishes
- Available for exterior applications, tested to meet wind uplift Classes 30, 60, and 90
- Planks easily snap into upper hooks of new Main Beam Carrier 2 (item 7277MF)
- new** • Discontinuous ceilings possible with Axiom® trim or coordinating Effects trim using the Adjustable Trim Clip
- new** • CleanAssure™ family of products – includes disinfectable planks, suspension systems, and trim
- new** • Popular Linear lighting options for sleek, coordinated visual by XAL®, Axis, Backlight. See "Compatible Lights" table in install instructions for details.
- Planks and suspension system tested and approved for seismic areas per ASTM E580, AC 156 Acceptance Criteria for Seismic Qualification Testing of Non-structural Components, and ASTM 3118
- Integrate with pre-engineered Axiom® Indirect Field Light Covers for Specialty Ceilings to achieve predictable lighting performance
- new** • Achieve high sound absorption for interiors with microperforated planks – 0.70 NRC
- new** • Install 4", 6", 9", 11", & 13" wide Linear – Synchro planks on interior wall applications horizontally or vertically with no additional clips or brackets needed

**COLORS** Due to printing limitations, shade may vary from actual product.

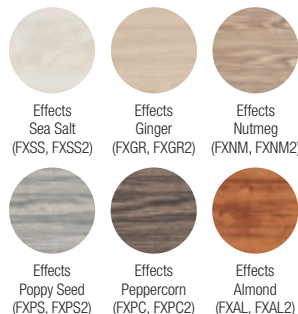
**MetalWorks™ (Interior, Exterior)**



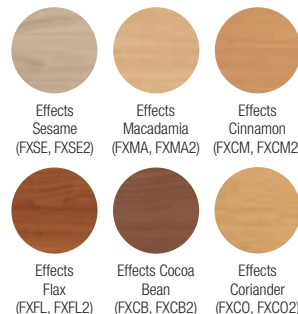
**Effects™ Classic (Interior, Exterior)**



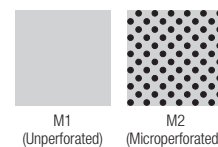
**new** **Effects™ Bold (Interior, Exterior)**



**new** **Effects™ Subtle (Interior, Exterior)**



**PERFORATION OPTIONS** (1:2 scale shown)



NOTE: Exterior planks available in M1 perforation only

TechLine 877 276-7876  
[armstrongceilings.com/metalworkslinear](http://armstrongceilings.com/metalworkslinear)

# new METALWORKS™ Linear – Synchro™

Standard Ceiling Planks  
smooth texture

**LEED® WELL™ LBC**  
UP TO **25% RECYCLED CONTENT**

energy management  
construction waste mgmt  
regional materials  
design for flexibility  
EPD  
recyclable/excise producer resp.  
biobased materials  
recycled content  
sourcing of raw materials  
material ingredient reporting  
low emitting materials  
lighting quality  
acoustics

Calculate sustainability with GreenGenie™  
armstrongceilings.com/greengenie

LOCATION DEPENDENT

WHITE WITH ONLY INFILL PANEL

## VISUAL SELECTION

Item No. ◆	Description	Dimensions Nominal W x L x D (Inches) Custom Sizes Available	Module Width (Inches)
METALWORKS™ Linear – Synchro™ Planks	<b>8223W02</b> _____ 2" Plank	2 x 96 x 1"	2.25"
	<b>8223W04</b> _____ 4" Plank	4 x 96 x 1"	4.50"
	<b>8223W06</b> _____ 6" Plank	6 x 96 x 1"	6.75"
	<b>8223W09</b> _____ 9" Plank	9 x 96 x 1"	9.00"
	<b>8223W11</b> _____ 11" Plank	11 x 96 x 1"	11.25"
	<b>8223W13</b> _____ 13" Plank	13 x 96 x 1"	13.50"

## PERFORMANCE

Dots represent high level of performance.

Fire Performance	Light Reflect (M1 White only)	CleanAssure™ Disinfectable Planks						DURABILITY				Acoustics (M2 Perf only)
		Fog	Spray	Wipe	Wash	Scrub	Impact	Scratch	Soil			
Class A	0.83	•	•	•	•	•	•	•	•	•	•	0.70
Class A	0.83	•	•	•	•	•	•	•	•	•	•	0.70
Class A	0.83	•	•	•	•	•	•	•	•	•	•	0.70
Class A	0.83	•	•	•	•	•	•	•	•	•	•	0.70
Class A	0.83	•	•	•	•	•	•	•	•	•	•	0.70
Class A	0.83	•	•	•	•	•	•	•	•	•	•	0.70

◆ When specifying or ordering, include the appropriate 2-letter perforation suffix and 2- or 4-letter color suffix (e.g., 8223W04 M 1 E X C H, 8223W11 M 2 S G).  
NOTE: When specifying or ordering exterior finishes, place a "2" after the item color suffix (e.g., 8223W02M1 S G 2).

## PHYSICAL DATA

**Material**  
ElectroGalvanized Steel – thickness 0.028"

**Surface Finish**  
Available in White, Silver Grey, Gun Metal Grey, Tech Black, and Effects™ Wood Looks powder-coated, post-production finishes for both interior and exterior applications. Other colors are available as custom. Contact ASQuote@armstrongceilings.com for custom requests.

**Plank Reveal**  
MetalWorks™ Linear – Synchro™ planks have a butt joint installation with no reveal between planks for a monolithic visual.

**Fire Performance**  
Class A: ASTM E84 and CAN/ULC S102. Flame Spread Index 25 or less. Smoke Developed Index 50 or less.

**Wind Uplift Performance**  
All panels tested for wind uplift Classes 30, 60, and 90. Specific installation recommendations to meet these wind classes are available. Exterior available in unperforated panels only. For more information, contact TechLine at 1 877 276 7876

**ASTM E1264 Classification**  
Fire Class – Class A  
Unperforated – Type XX, Form 2, Pattern G  
Perforated – Type XX, Form 2, Pattern C

**Seismic Restraint**  
MetalWorks Linear – Synchro planks have been engineered, tested, and approved for application in all seismic areas when installed per Armstrong Ceilings installation instructions.

When installed properly, both planks and suspension have been tested to stay in place through vibrations and other seismic events.

**Cleaning and Disinfecting**  
Cleaning and CDC approved disinfecting options available on armstrongceilings.com/cleaning

**Warranty**  
Details at armstrongceilings.com/warranty

**Weight: Square Feet/Cartron**  
8223W02 – 3.5 lbs/SF; 16 pcs/ctn; 24 SF/ctn  
8223W04 – 4.45 lbs/SF; 12 pcs/ctn; 36 SF/ctn  
8223W06 – 6.05 lbs/SF; 8 pcs/ctn; 36 SF/ctn  
8223W09 – 7.95 lbs/SF; 6 pcs/ctn; 36 SF/ctn  
8223W11 – 9.6 lbs/SF; 4 pcs/ctn; 30 SF/ctn  
8223W13 – 10.85 lbs/SF; 4 pcs/ctn; 33 SF/ctn





# METALWORKS™ Linear – Synchro™

smooth texture

## ACCESSORIES

Item No. ◆	Description	Pieces/ Carton	Finish Selection - Interior & Exterior*
8161	Pressure Spring	50	N/A
8233W02M1_ _ _ _	2" End Cap	10	WH, SG, MY, BL, and all Effects™ Wood Looks
8233W04M1_ _ _ _	4" End Cap	10	WH, SG, MY, BL, and all Effects Wood Looks
8233W06M1_ _ _ _	6" End Cap	10	WH, SG, MY, BL, and all Effects Wood Looks
8233W09M1_ _ _ _	9" End Cap	10	WH, SG, MY, BL, and all Effects Wood Looks
8233W11M1_ _ _ _	11" End Cap	10	WH, SG, MY, BL, and all Effects Wood Looks
8233W13M1_ _ _ _	13" End Cap	10	WH, SG, MY, BL, and all Effects Wood Looks
8243W02	2" Splice Plate	10	N/A
8243W04	4" Splice Plate	10	N/A
8243W06	6" Splice Plate	10	N/A
7113	Spreader Hold Down	40	N/A

\* When specifying or ordering exterior finishes, place a "2" after the item color suffix (e.g., 8233W02M1 S G 2).

## TRIM Required clips must be ordered separately

Item No. ◆	Description	Dimensions Nominal L x W x H (Inches)	Pieces/ Carton	Colors
AX6VESTR_ _	Axiom® Vector® Trim – 6" Straight	3/4 x 120 x 6"	–	WH, SG, MY, BL
AX4STR_ _ _ _	Axiom® Classic Trim – 4" Straight	3/4 x 120 x 4"	–	WH, SG, MY, BL
5344_ _ _ _	4" Effects® Wood Looks Trim	Nominal 120" length	6	All Effects Wood Looks
5346_ _ _ _	6" Effects Wood Looks Trim	Nominal 120" length	6	All Effects Wood Looks
7239	Adjustable Trim Clip	2-1/2 x 2-1/2 x 1-1/4"	25	N/A

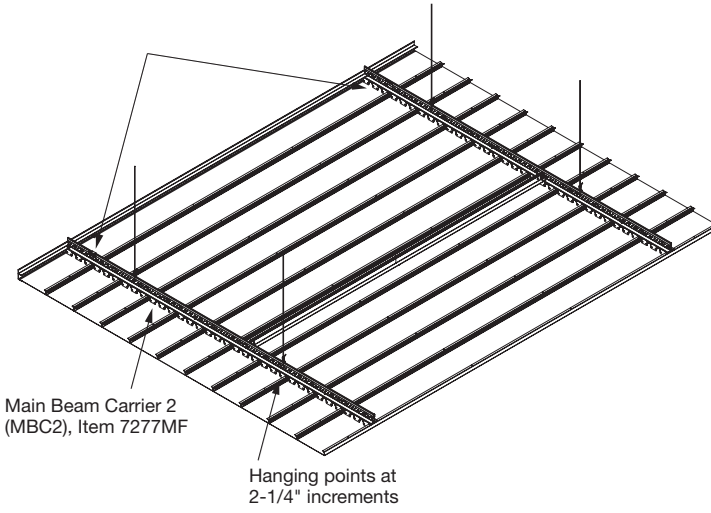
## SUSPENSION SYSTEM COMPONENTS

Item No. ◆	Description	Dimensions Nominal L x W x H (Inches)	Pieces/ Carton
7237	Cut Plank Support Bracket	2-1/2 x 2-1/2 x 1-1/4"	25
7277MF	Main Beam Carrier 2 (MBC2) – Mill Finish / G90 Mill Finish	144 x 1-3/4 x 2-3/4"	10
5574_ _ _ _	Carrier Molding	120 x 1 x 1"	10
7800_	Hemmed Angle Molding (Seismic installations only)	144 x 7/8 x 7/8"	30
XL8926	2' Drywall Cross Tee	24 x 1-1/2 x 1-1/2"	36
XL8926G90	2' Drywall Cross Tee - Exterior	24 x 1-1/2 x 1-1/2"	36

◆ When specifying or ordering, include the appropriate letter color suffix (e.g., 8233W02M1 B L, 8233W02M1 E X C H).  
NOTE: When specifying or ordering exterior finishes for suspension system components, place a "2" after the item color suffix (e.g., 5574WH2).



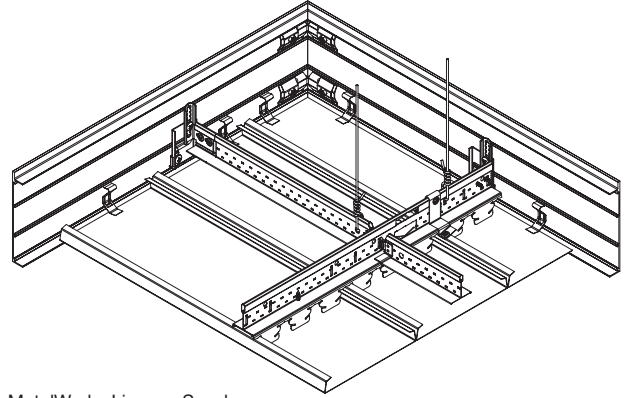
INSTALLATION DETAILS – CEILINGS



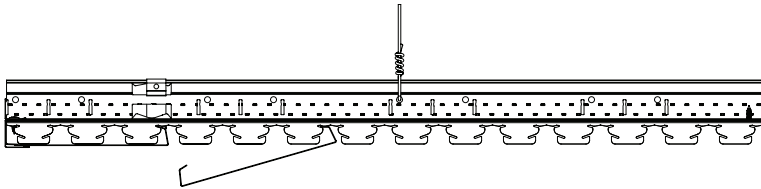
Main Beam Carrier 2 (MBC2), Item 7277MF

Hanging points at 2-1/4" increments

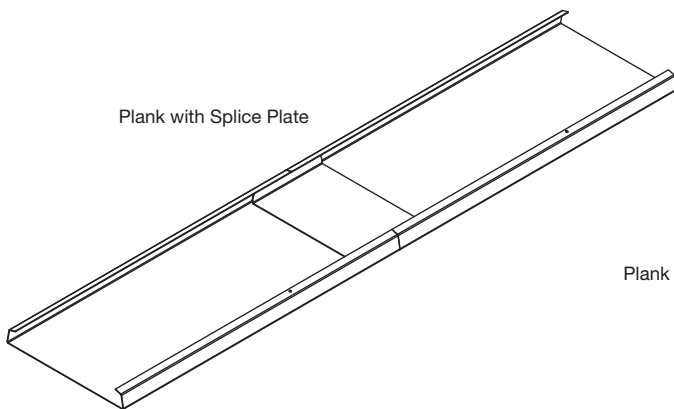
MBC2 Carrier for Synchro™ installed 24" O.C.



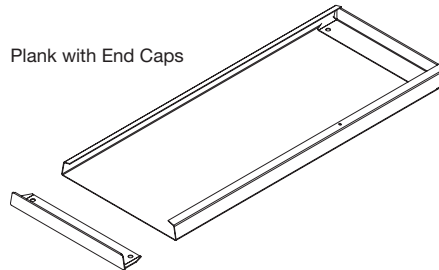
MetalWorks Linear – Synchro Discontinuous Installation with Axiom® Trim



Carrier Side View with Installed Planks



Plank with Splice Plate



Plank with End Caps



LIGHTING SOLUTIONS  
**METALWORKS™ Linear – Synchro™**  
 Linear Lighting

NRC  
+  
CAC

DEF



▲ MetalWorks™ Linear – Synchro™ 11" planks with linear light fixtures

**METALWORKS LINEAR – SYNCHRO LIGHTING INSTALLATION METHODS**

Two different installation methods to integrate linear lighting into Synchro ceiling systems to tailor to project and design needs.

Option 1: Replacing a Linear – Synchro plank with a linear light

Option 2: Cutting Linear – Synchro plank face and housing light fixture within plank

For both options, cut the number of hooks listed in charts below based on coordinating light fixtures.

**COMPATIBLE LIGHTS** The following charts represent the compatible ligfixtures from Backlight and XAL® with the two installation methods

	Plank Width	CHIARO-2	CHIARO-3.25	CHIARO-5.25
<b>Backlight Option #1</b>	2"	•	N/A	N/A
	4"	•	•	N/A
	6"	•	•	•
	9"	•	•	•
	11"	•	•	•
	13"	•	•	•
<b>Backlight Option #2</b>	2"	N/A	N/A	N/A
	4"	N/A	N/A	N/A
	6"	•	•	N/A
	9"	•	•	•
	11"	•	•	•
	13"	•	•	•

	Plank Width	PANO-2	PANO-3.25	PANO-5.25
<b>XAL® Option #1</b>	2"	•	N/A	N/A
	4"	•	•	N/A
	6"	•	•	•
	9"	•	•	•
	11"	•	•	•
	13"	•	•	•
<b>XAL® Option #2</b>	2"	N/A	N/A	N/A
	4"	N/A	N/A	N/A
	6"	•	•	N/A
	9"	•	•	•
	11"	•	•	•
	13"	•	•	•

METALWORKS™ – Standard

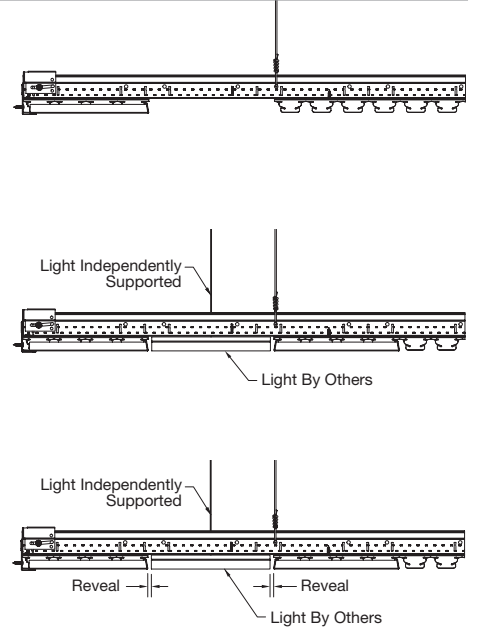
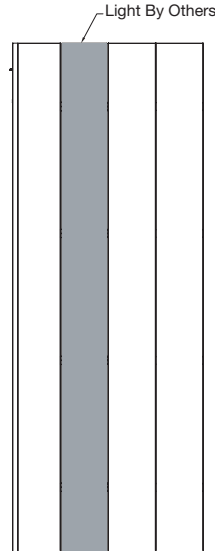
# LIGHTING SOLUTIONS

## METALWORKS™ Linear – Synchro™

### Linear Lighting

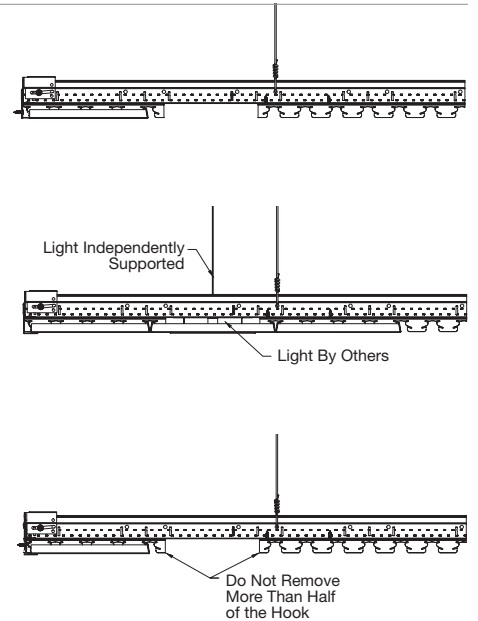
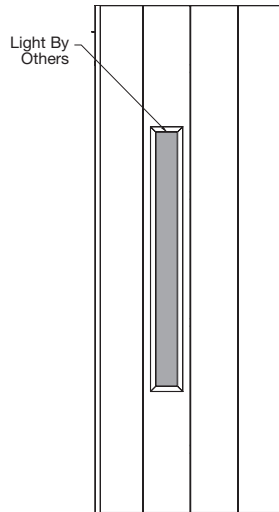
#### INSTALLATION DETAILS – OPTION 1

Backlight	CHIARO-2	CHIARO-3.25	CHIARO-5.25
Hooks Removed	1	2	3
Equal Reveal on either side of light	0.1325"	0.6325"	0.7575"
<hr/>			
XAL®	PANO-2	PANO-3.25	PANO-5.25
Hooks Removed	1	2	3
Equal Reveal on either side of light	0.1325"	0.6325"	0.7575"



#### INSTALLATION DETAILS – OPTION 2

Backlight	CHIARO-2	CHIARO-3.25	CHIARO-5.25
Hooks Removed	1	2	3
<hr/>			
XAL®	PANO-2	PANO-3.25	PANO-5.25
Hooks Removed	1	2	3



#### LIGHTING FIXTURES

Compatible with Backlight srl CHIARO light fixture and XAL® PANO Low-Profile Linear Plank light fixture



For detailed lighting information, contact your local Backlight srl or XAL® representative.