



ACOUSTIBUILT®
Seamless Acoustical
Ceiling & Wall
System
Design Guide

Smooth and CLEAN Monolithic Visual

The ACOUSTIBuilt® seamless acoustical ceiling and wall system provides the clean monolithic visual of drywall with Total Acoustics® and Sustain® performance. ACOUSTIBuilt combines excellent acoustical performance and sustainability attributes with efficient installation in wall-to-wall and cloud applications for any space, and on walls above 7 feet.

- ▶ Excellent acoustical performance of up to NRC 0.80 and CAC 46
- ▶ Use ACOUSTIBuilt on ceilings for wall-to-wall, cloud, sloped, or soffit applications, and in wall applications above 7 feet
- ▶ Smooth non-directional, monolithic, drywall-like visual (Level 4 equivalent finish)
- ▶ Add a hint of color, tailored to your design palette
- ▶ Quick, easy panel installation using Armstrong® Drywall Grid System
- ▶ Faster and easier to install and repair than acoustical plaster at a lower cost

ACOUSTIBuilt® Seamless
Acoustical Ceiling System
Parker Poe Corporate Office
Charlotte, NC

Seamless and Monolithic





▲ ACOUSTIBuilt® Ceiling System; Interstate Drywall Corporate Office



Acoustics & AESTHETICS

The ACOUSTIBuilt® seamless acoustical ceiling and wall system combines the monolithic look of traditional drywall with Total Acoustics® performance – the ideal combination of sound absorption and sound blocking. Sound absorption reduces noise while sound blocking keeps it from traveling into adjacent spaces. Together these attributes help you create quiet spaces.

ACOUSTIBuilt® Seamless Acoustical Ceiling & Wall System

Total Acoustics® Performance

Now, whether you're creating a space for quiet concentration, collaboration, or confidentiality, one system meets the needs for today's flexible spaces.



The ACOUSTIBuilt® Seamless Acoustical Ceiling and Wall system provides high sound absorption (NRC up to 0.80) and high sound blocking up to CAC 46 to achieve Total Acoustics® performance.

ACOUSTIBuilt cloud installations can enhance the design and acoustical performance of a space and will absorb sound from both the front and back surfaces.

In wall applications, ACOUSTIBuilt improves the STC of interior stud/drywall partition systems by up to 6 points for added sound blocking.

STC Rating*

- 1 Side: 42
- 2 Sides: 43

*3-5/8" metal studs with one layer of 5/8" drywall on both sides and ACOUSTIBuilt panels on one or both sides of the wall.

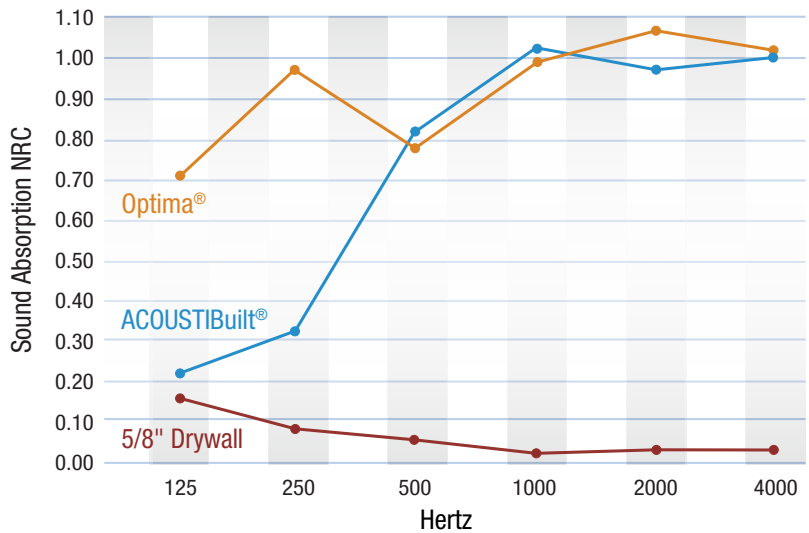
ACOUSTIBuilt® vs. Drywall Acoustical Comparison



	5/8" Drywall Ceiling	ACOUSTIBuilt® Seamless Acoustical Ceiling System	ACOUSTIBuilt® Clouds 50% coverage – (equivalent to 2,500 SF of clouds)	
5,000 SF Exposed Structure (50' x 100'), 15' to deck, drywall with windows on two sides, commercial carpet				
Sound Absorption	0.05	0.80 NRC	0.80 Sabins/SF	1.33* Sabins/SF
CAC	50	46	N/A	N/A
Total Acoustics®	N/A	BEST	N/A	N/A
Reverberation Time	1.7 sec	0.5 sec	1.1 sec	0.7 sec
RT Improvement	–	71%	35%	59%
SPL Reduction	–	-3.7 dB	-2.7 dB	-3.7 dB

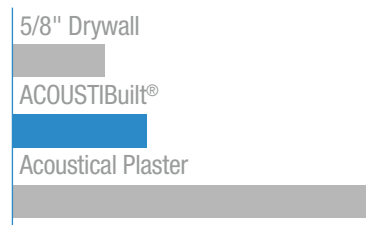
* 1.33 Sabins/SF achieved using infill panel item 8200T10

Sound Absorption Comparison



0.90 NRC Optima® 2' x 2' acoustical ceiling
 0.80 NRC ACOUSTIBuilt® system
 0.05 NRC 1 layer 5/8" Drywall on drywall grid

Installed Cost Comparison



Sustain® Performance

ACOUSTIBuilt® is part of the Sustain portfolio which helps contribute to better spaces.

- Contributes to: LEED® v4 (including new Materials and Resources credits)
- Living Building Standard™
- WELL Building Standard™
- Fitwel® Building Standard
- Health Product Declarations (HPDs) which tell you what's in the products
- Are free of Red List chemicals per Living Building Challenge
- Declare® labels – easy reference "nutrition labels"
- Greenguard® Gold Certified and meets California Department of Public Health (CDPH) low emissions standards
- Environmental Product Declarations (EPDs) which tell you the impact of the products
- USDA BioBased certification



SUSTAIN®
High Performance
Sustainable Ceiling Systems
(White Only)



▼ ACOUSTIBuilt® Ceiling and Wall Panels



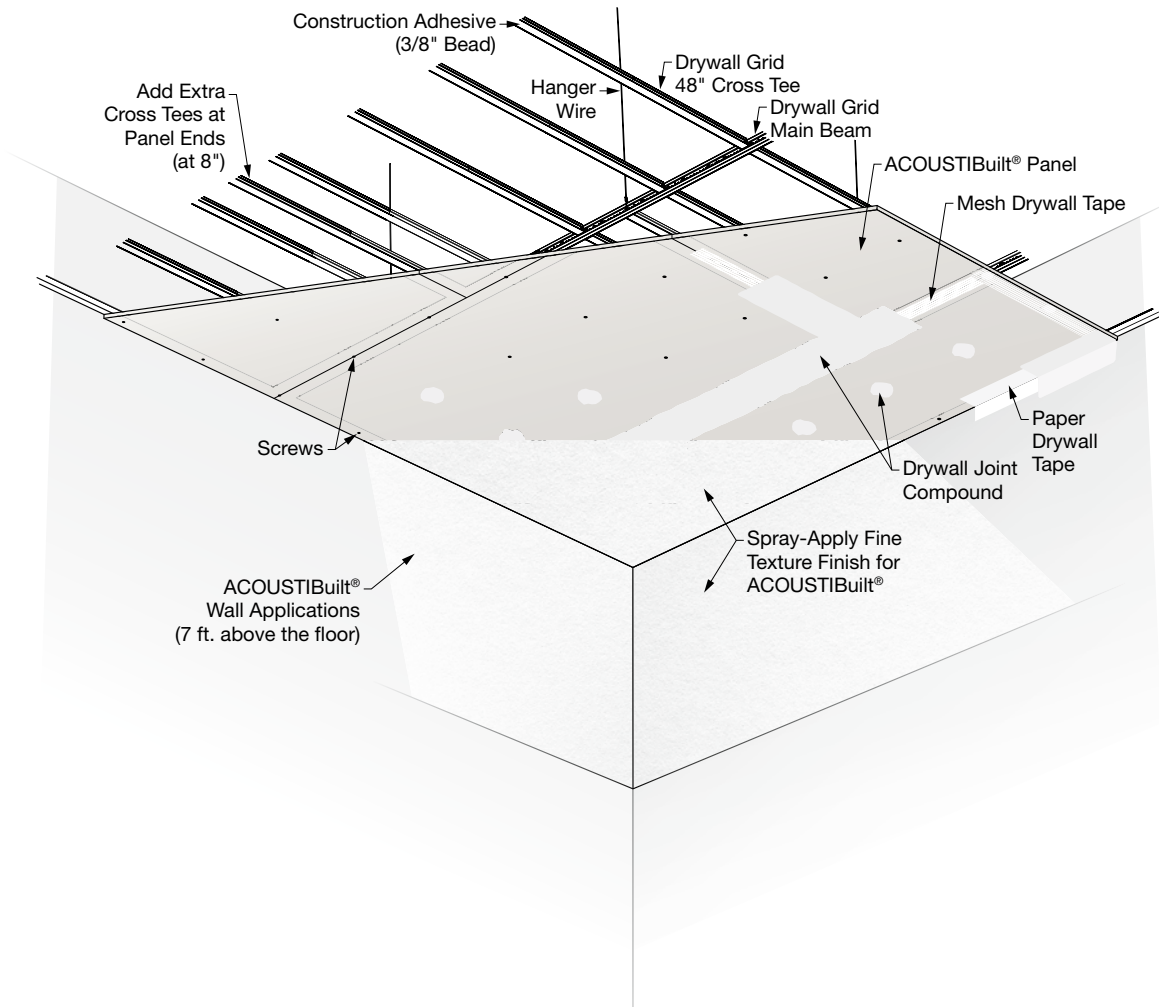
ACOUSTIBuilt® Seamless Acoustical Ceiling & Wall System

System Overview

The ACOUSTIBuilt® seamless acoustical ceiling system looks like and installs like drywall but has been engineered to absorb and block sound using an acoustically transparent fine texture finish that is applied in layers to allow sound to pass through and be absorbed by the mineral fiber ACOUSTIBuilt panels. The Acoustibuilt panels are attached to the Armstrong Drywall Grid System with adhesive and screws, the ceiling is then finished just like drywall. Glue and screw panels to existing drywall on walls above 7 feet.

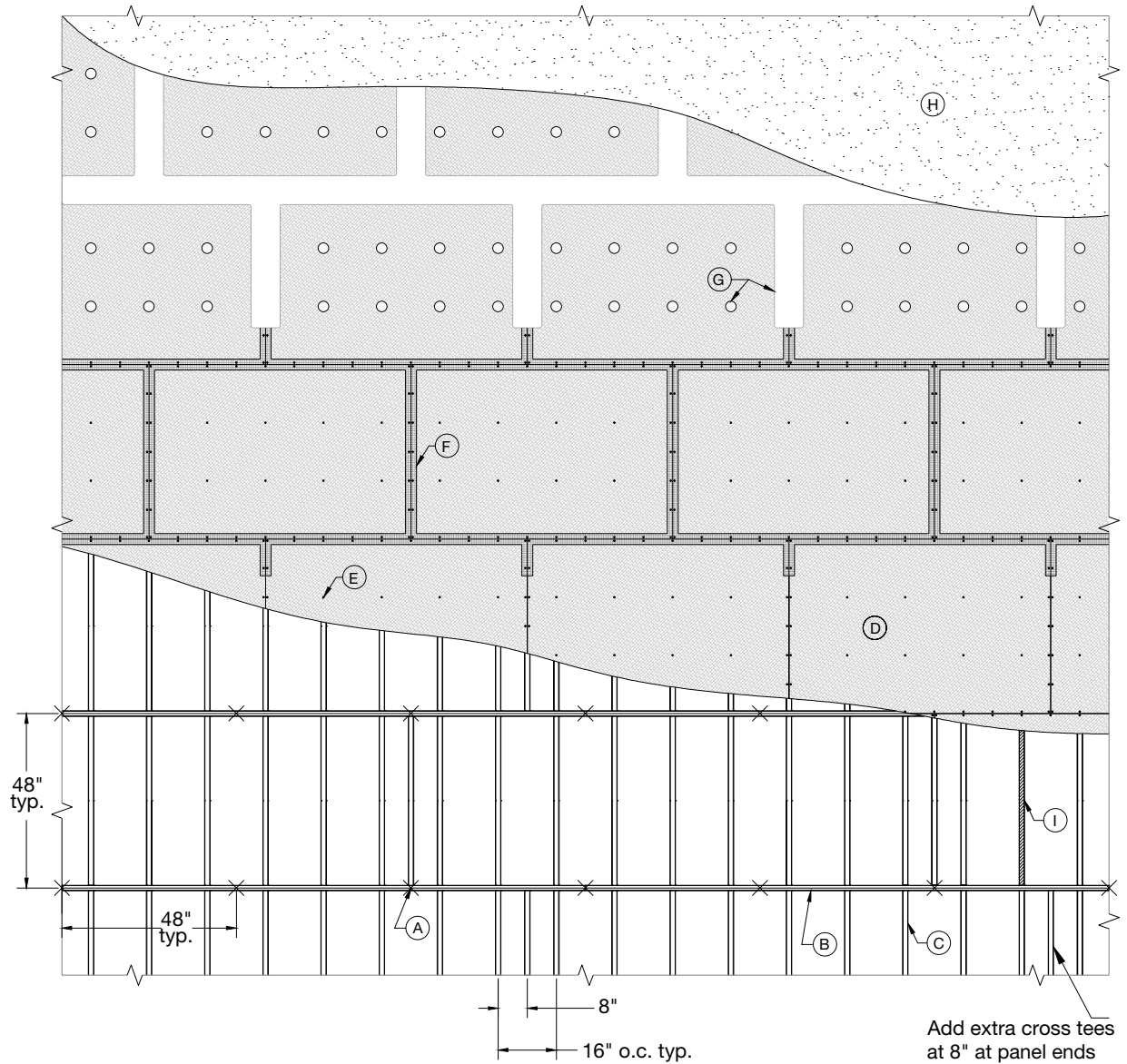


▲ ACOUSTIBuilt® Cloud installation; Vincennes University, Vincennes, IN



ACOUSTIBuilt® Seamless Acoustical Ceiling & Wall System

The typical system layout below shows a standard wall-to-wall ceiling application of ACOUSTIBuilt®.



- (A) X 12-gauge hanger wire
- (B) == main beam
- (C) == cross tee

- (D) ACOUSTIBuilt® Panel
- (E) • Drywall screw
- (F) mesh tape

- (G) ○ joint compound
- (H) Fine Texture Finish for ACOUSTIBuilt®
- (I) construction adhesive (3/8" bead)
(apply to all main beams and cross tees)

ACOUSTIBuilt® Seamless Acoustical Ceiling & Wall System

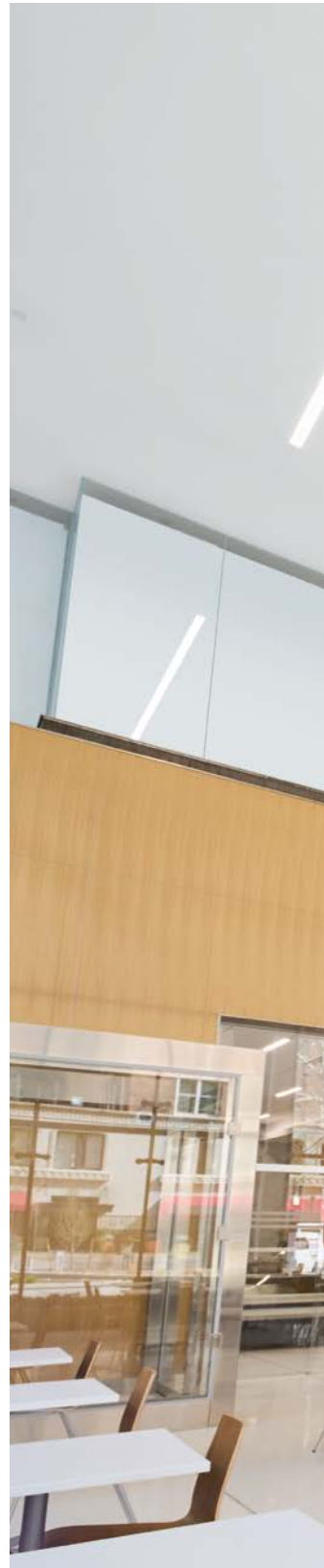
Design Considerations

Applications – The ACOUSTIBuilt® ceiling and wall system can be used in almost any application where standard drywall is used, including wall applications (above 7' feet), flat, sloped, soffit or cloud ceiling applications. ACOUSTIBuilt is seismic D, E, F tested and approved. ACOUSTIBuilt cannot be installed in curved ceiling applications.

Color – The ACOUSTIBuilt Fine-Texture finish in White has a light reflectance value (LR) of 0.87. Custom Off-White tints are available to coordinate with your design palette. Due to the fine-texture visual, color may appear slightly different than a standard flat color sample. Choose light color tones with an LRV (light reflectance value) of 70 or greater.

Lighting – ACOUSTIBuilt is intended for spaces desiring a Level 4 equivalent drywall finish. Like Level 4 drywall, critical or low-angle light grazing across the ceiling can show imperfections. Special attention to finishing and sanding may be required. Downlights can complement the appearance in severe grazing light.

Acoustical Performance – Excessive ceiling integrations and/or small enclosed spaces, where the ceiling is more joint compound than open area, will result in degradation of sound absorption. Light tone colors may require an additional coat of Fine-Texture Finish, resulting in a slight degradation of sound absorption.





▲ ACOUSTIBuilt® Ceiling System; BancFirst, Oklahoma City, OK

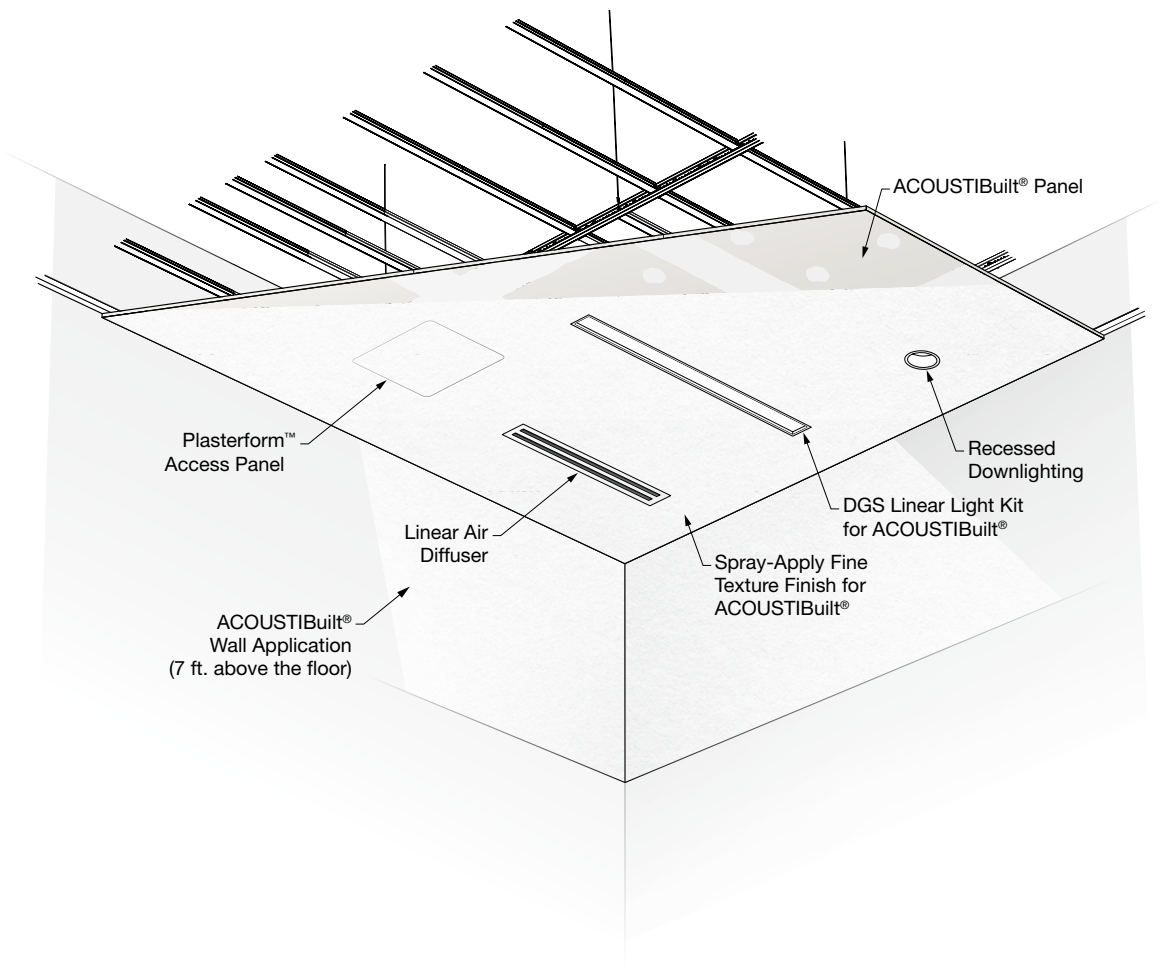
ACOUSTIBuilt® Seamless Acoustical Ceiling & Wall System

Design Details and Integration

ACOUSTIBuilt® installed on Armstrong® Drywall Grid in ceiling applications offers comparable compatibility to standard drywall and easily accommodates a wide variety of conventional and Armstrong partner light fixtures, HVAC diffusers, access doors, and transitions to standard acoustical ceiling systems. The ACOUSTIBuilt Fine Texture finish can be used to coat most GRG or metal access panels/doors in order to maintain a consistent finished ceiling visual.



▲ ACOUSTIBuilt® Ceiling System; SpinaORourke + Partners, West Palm Beach, FL

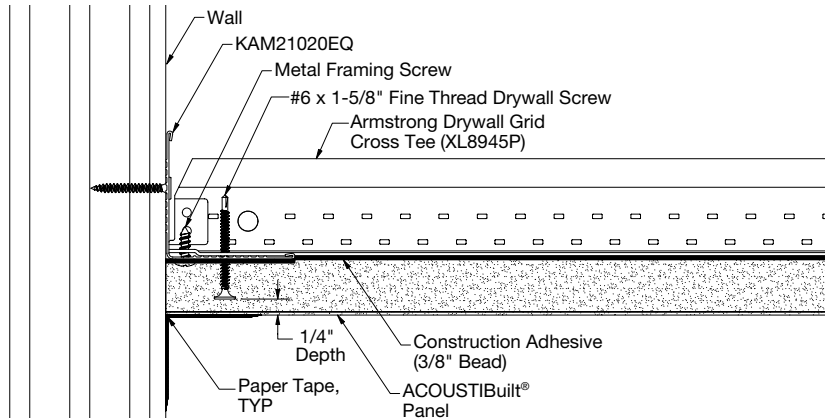


ACOUSTIBuilt® Seamless Acoustical Ceiling & Wall System

Typical Details

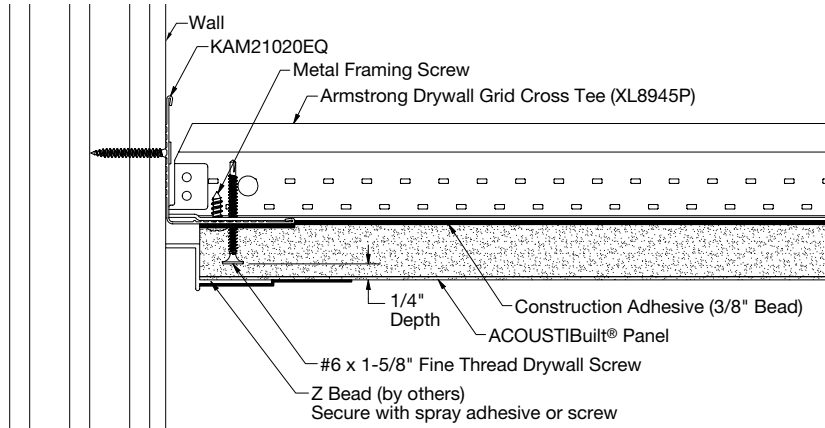
ACOUSTIBuilt® No Reveal at Wall

(Per ASTM C480, Section 20, ceilings without perimeter relief cannot exceed 30 LF and 900 SF between control joints)

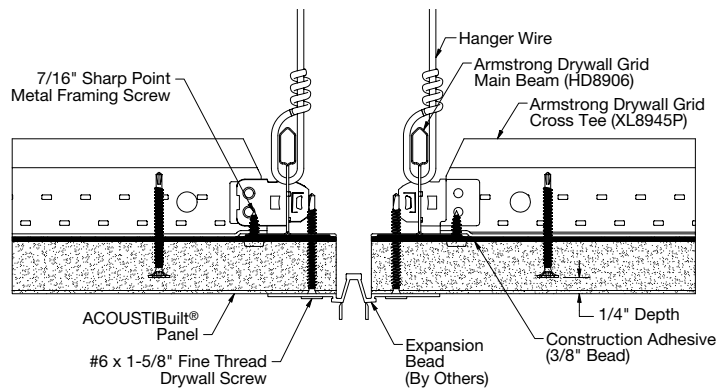


ACOUSTIBuilt® Reveal at Wall

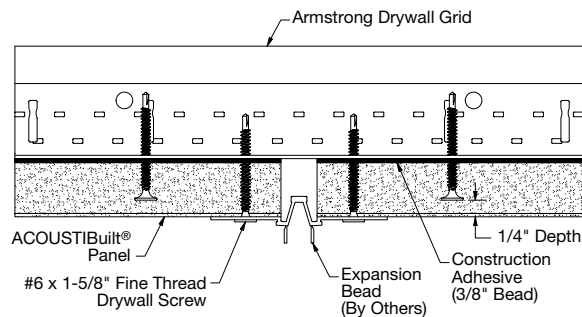
(Per ASTM C480, section 20, ceilings with perimeter relief cannot exceed 50 In. ft. and 2,500 sq. ft. between control joints)



Expansion Joint



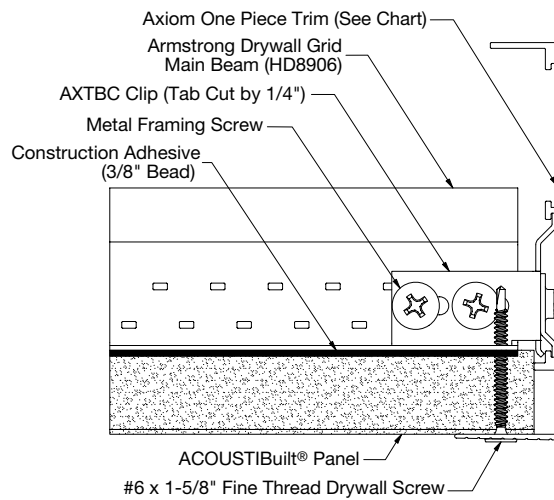
Control Joint



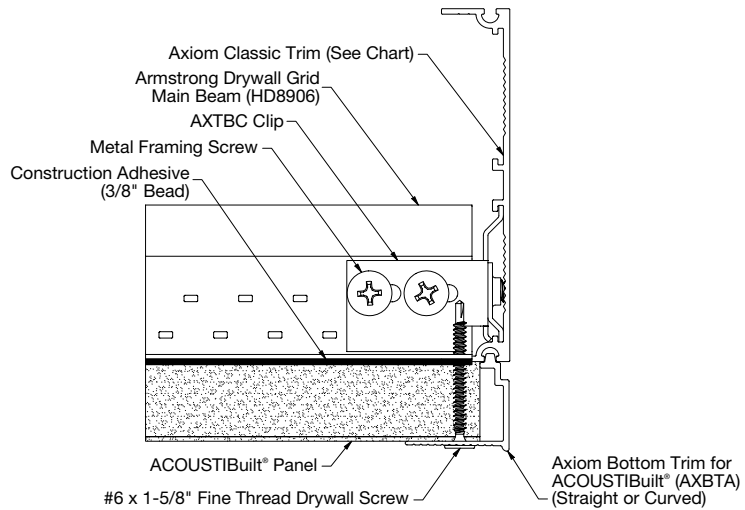
ACOUSTIBuilt® Seamless Acoustical Ceiling & Wall System

Floating Edge Details

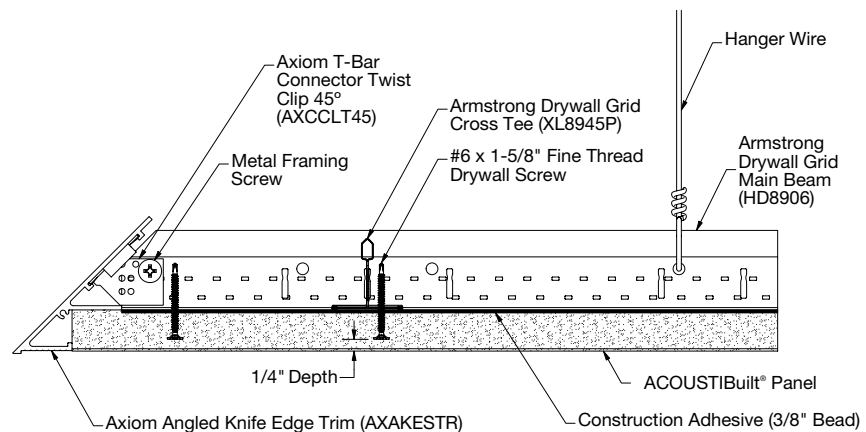
Axiom® One Piece Trim



Axiom Classic with Axiom Bottom Trim for ACOUSTIBuilt®



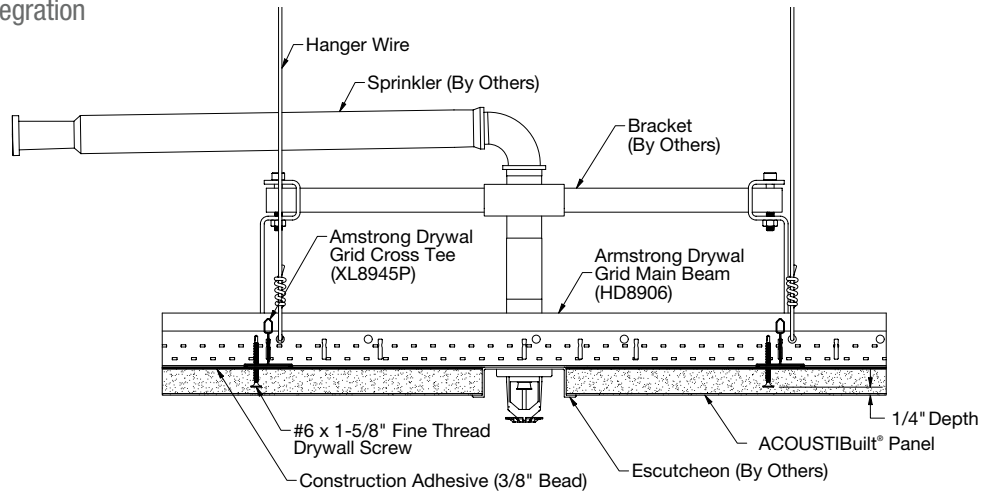
Axiom Angled Knife Edge® Trim



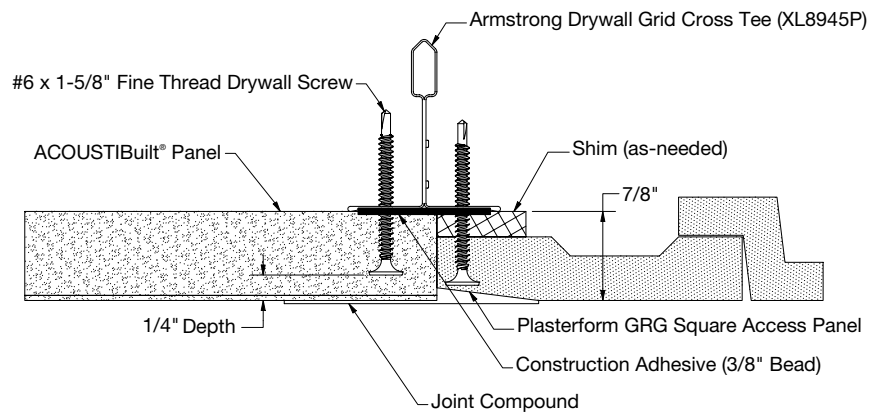
ACOUSTIBuilt® Seamless Acoustical Ceiling & Wall System

Common Integration Details

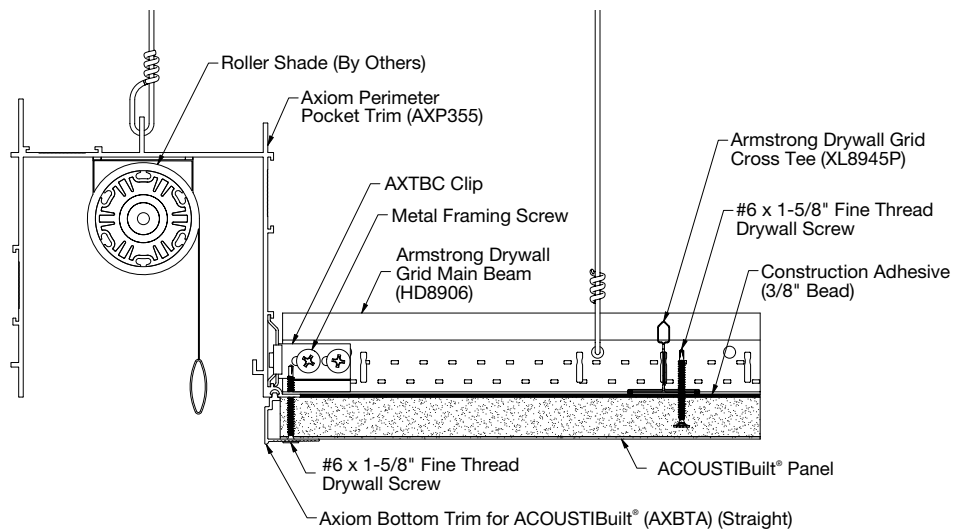
ACOUSTIBuilt® Sprinkler Integration



ACOUSTIBuilt with Plasterform™ GRG Access Panel



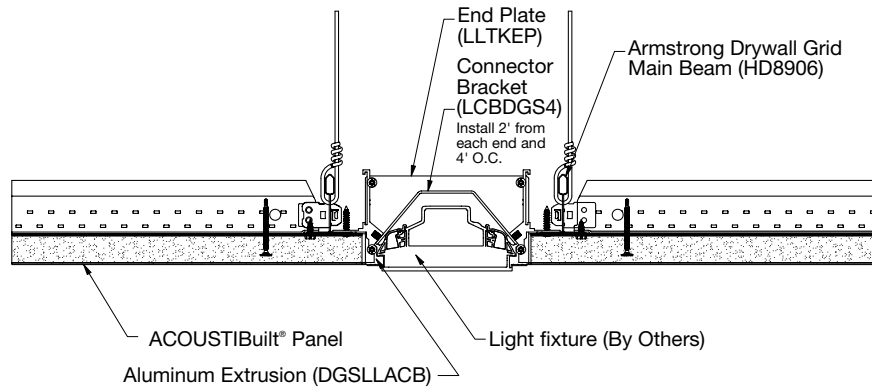
ACOUSTIBuilt with Axiom® Shade Pocket



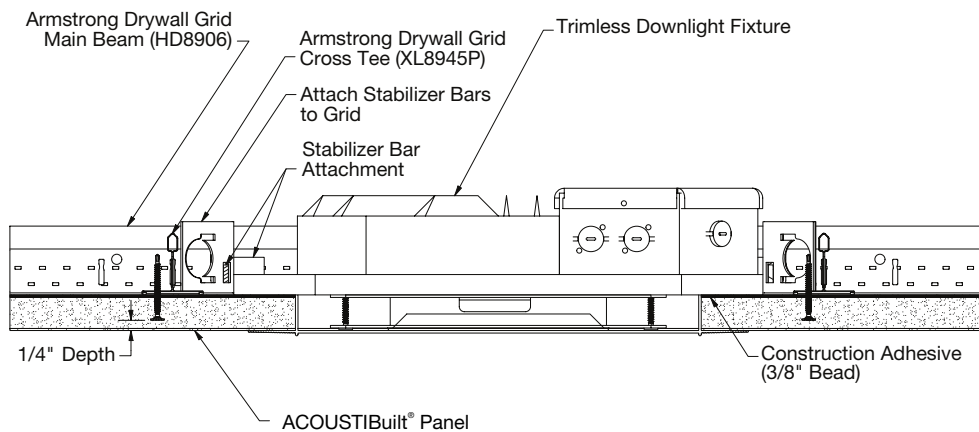
ACOUSTIBuilt® Seamless Acoustical Ceiling & Wall System

Lighting Integration Details

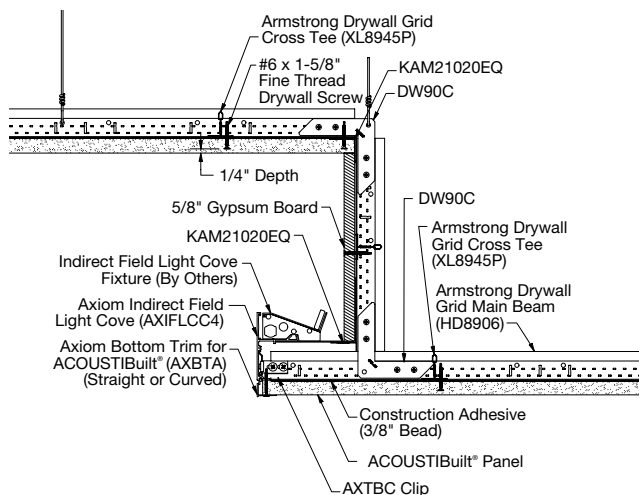
Axiom® Linear Lighting Kit
for ACOUSTIBuilt®
(Trimless)



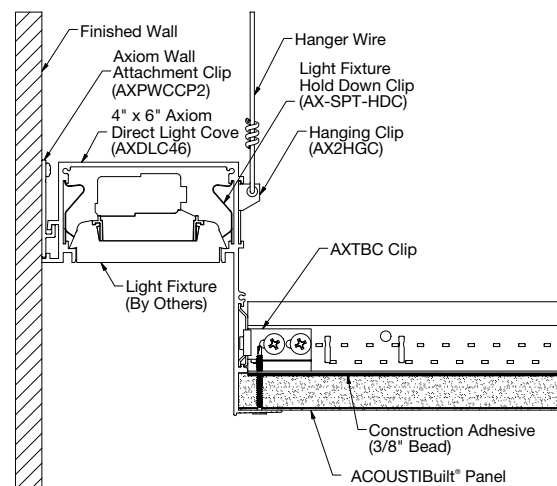
Downlighting
Integration



Axiom® Indirect Field Light Cove
(Straight or Curved)



Axiom® Direct Light Cove

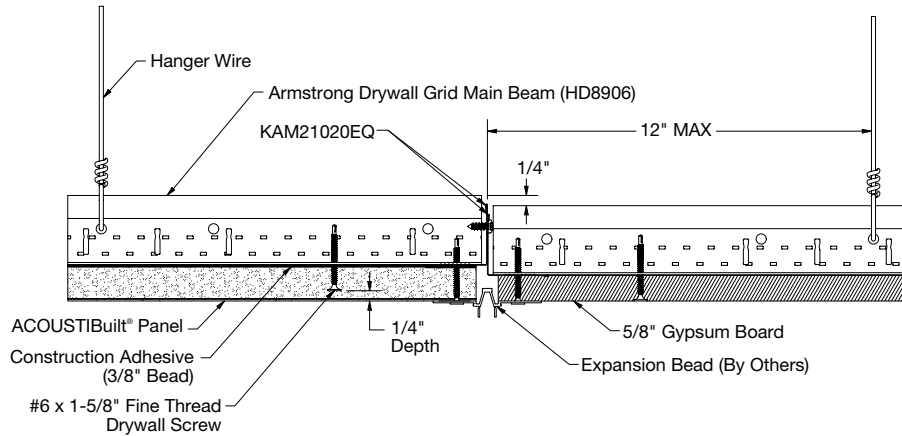


(Available Cove heights: 4" and 6")

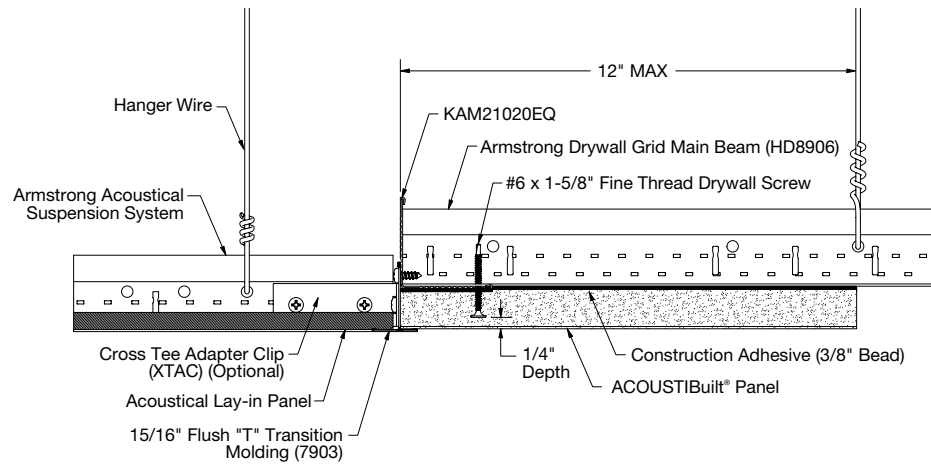
ACOUSTIBuilt® Seamless Acoustical Ceiling & Wall System

Typical Details

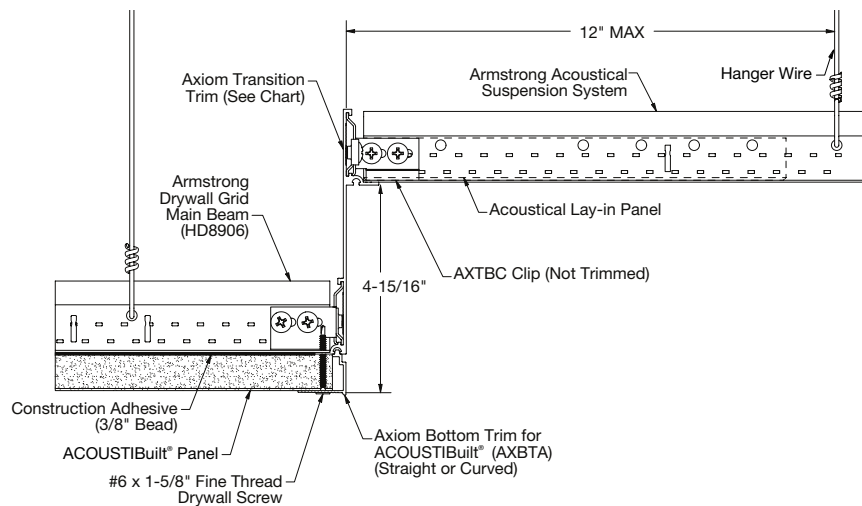
Flush Transition –
ACOUSTIBuilt® to
5/8" Drywall



Flush Transition –
ACOUSTIBuilt to 15/16"
Acoustical Ceiling



Axiom® Transition –
ACOUSTIBuilt to
Acoustical Ceiling

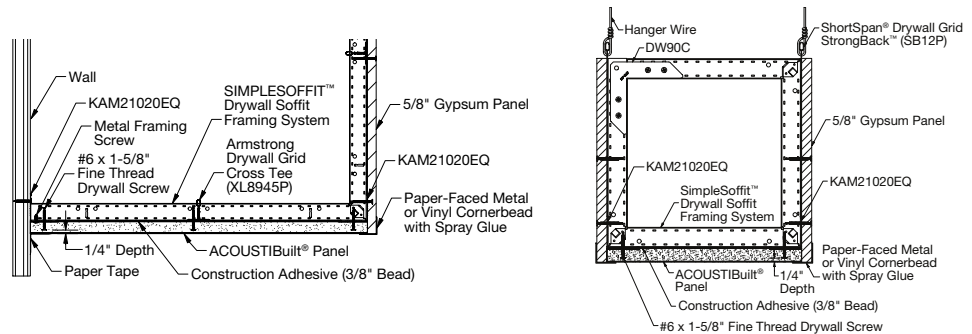


ACOUSTIBuilt® Seamless Acoustical Ceiling & Wall System

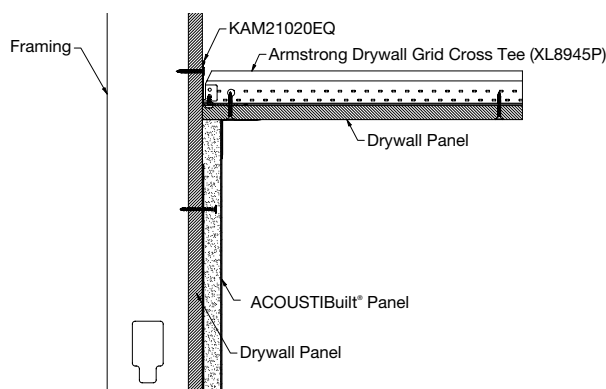
Wall and Soffit Details

new ACOUSTIBuilt®
with SimpleSoffit
Drywall Framing System

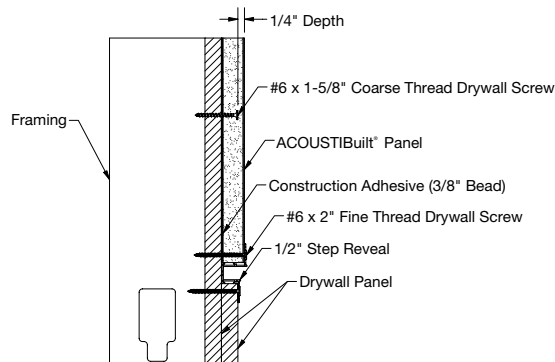
Use SimpleSoffit drywall framing system with AcoustiBuilt on soffits greater than 36" for improved acoustical performance.



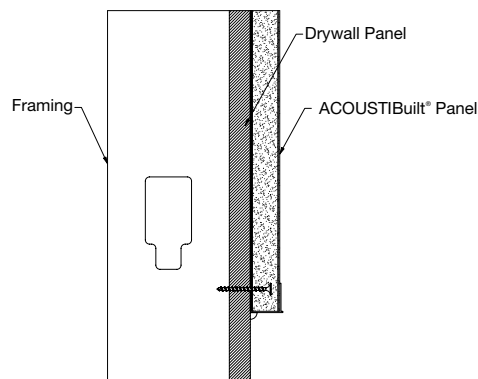
ACOUSTIBuilt®
Wall Finished to
Drywall Ceiling



new Wall Reveal for
ACOUSTIBuilt®



ACOUSTIBuilt®
Wall – Step-to-Drywall
with 7/8" L-Bead





▲ ACOUSTIBuilt® Seamless Acoustical Ceiling System, Cloud Application / AXIOM® Classic Trim; Incite Design Studio; Webb City High School, Webb City, MO

new ACOUSTIBuilt®
Seamless Acoustical Ceiling
and Wall System
fine texture



CAD/Revit® drawings at:
armstrongceilings.com/cadrevit



▲ ACOUSTIBuilt® Seamless Acoustical Ceiling System

armstrongceilings.com/capabilities
See more photos at:
armstrongceilings.com/photogallery

New seamless acoustical ceiling and wall system that looks like drywall, but offers Total Acoustics® performance.

KEY SELECTION ATTRIBUTES

- new** • Look of drywall in a seamless acoustical ceiling and wall system (install on walls above 7 feet to prevent damage)
- Get total noise control and floor plan versatility with Total Acoustics® ceiling panel options: NRC + CAC = Total Acoustics performance
- Finished White ACOUSTIBuilt® panels are part of the Sustain® portfolio and meet the most stringent industry sustainability compliance standards today
- Smooth non-directional, monolithic, drywall-like visual
- Add a hint of color, tailored to your design palette
- new** • Use Drywall Grid SimpleSoffit™ framing system for faster, easier soffit construction
- Install on Armstrong® Drywall Grid Systems, in any room, any size, flat, or sloped
- Similar installation and finishing methods to drywall ceilings
- new** • CleanAssure™ family of products – includes disinfectable panels, suspension systems, and trim
- Mold and mildew-resistant surface
- ACOUSTIBuilt® is intended for spaces desiring a Level 4 equivalent drywall finish
- Easier to install than acoustical plaster at a lower cost
- Can be installed with most drywall-compatible light fixtures including those from our partners:
 - Axis - XAL
 - USAI - Price
- new** • Improves STC of interior stud/drywall partition systems by up to 6 points

TYPICAL APPLICATIONS

- Offices
- Lobbies
- Education
- Exposed Structure
- Retail
- Hospitality
- Cloud Applications

FINE TEXTURE FINISH FOR ACOUSTIBuilt® PANELS



White (WH)

COLOR TINTS OF YOUR CHOICE



Available in any light color tone!

NOTE: Custom color tints should have an LRV (Light Reflectance Value) of 70 or greater. Custom ACOUSTIBuilt® fine texture finish colors will appear 1 to 2 shades darker than a standard paint color sample when applied due to the texture in the finish.

ACOUSTIBuilt®
Seamless Acoustical Ceiling
and Wall System
fine texture

USDA
CERTIFIED
BIOBASED
PRODUCT
PRODUCT 98%

SUSTAIN®
High Performance
Sustainable Ceiling Systems
(white only)
GREENGUARD
Gold Certified
(details below)

Declare.

LEED®
WELL™
LBC

UP TO **75% RECYCLED CONTENT**

Calculate sustainability with GreenGenie™
armstrongceilings.com/greengenie

- ✓ energy management
- ✓ construction waste mgmt
- ✓ regional materials
- ✓ design for flexibility
- ✓ EPD
- ✓ recyclable/extended producer resp.
- ✓ biobased materials
- ✓ recycled content
- ✓ sourcing of raw materials
- ✓ material ingredient reporting
- ✓ low emitting materials
- ✓ lighting quality
- ✓ acoustics

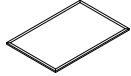
LOCATION DEPENDENT

VISUAL SELECTION

PERFORMANCE SELECTION Dots represent high level of performance (panel and grid).

Item No.	Dimensions (Inches)
ACOUSTIBuilt® CEILING AND WALL PANELS	48 x 72 x 7/8"

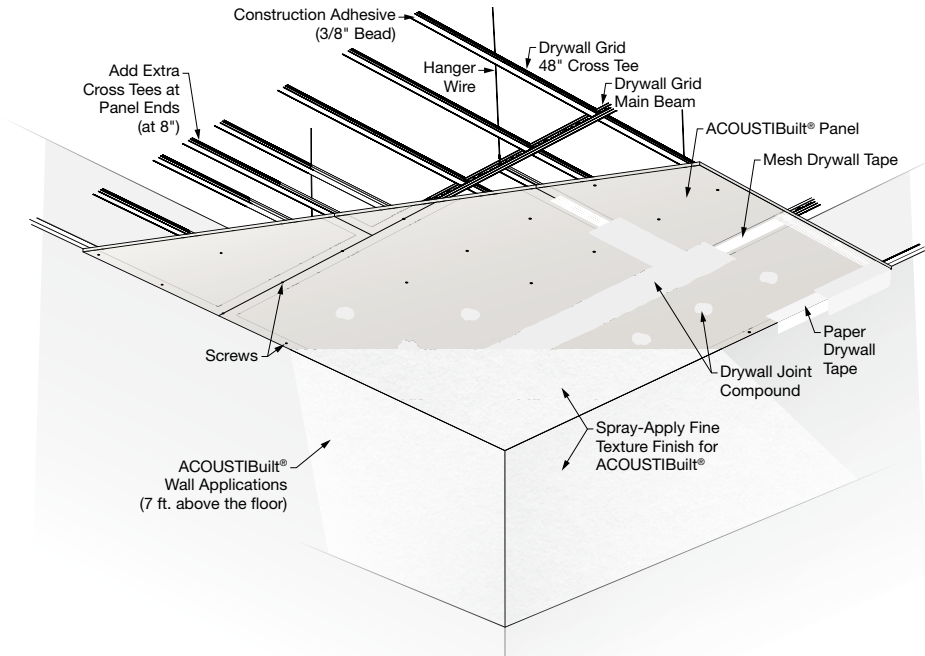
7/8" Tapered Edge on 4 Sides



UL Classified Acoustics	Total Acoustics ¹	Fire Performance	Light Reflect	Bio-Block	Humi-Guard+	Certified Low VOC Emissions	CleanAssure™ Disinfectable Panels	DURABILITY			Recycle Program	10-Yr Warranty	
NRC + CAC	NRC CAC	Class	Light Reflect	Anti-Mold/Mildew	Sag Resistant	Fog	Spray	Wash	Scratch	Soil	Recycle Program	10-Yr Warranty	
0.80* + 46	BEST	Class A	0.87**	•	•	•	•	•	N/A	N/A	N/A	N/A	•

¹ Total Acoustics® ceiling panels have an ideal combination of sound absorption and sound-blocking in one product.
* Per ASTM C423 & E795, E-400 Mounting.
** White Fine Texture Finish panel performance following the installation instructions.

WALL-TO-WALL ASSEMBLY AND INSTALLATION OVERVIEW



ACOUSTICAL INFORMATION

Mounting Method	Sabins/SF
Cloud	0.80
Cloud w/ infill 8200T10	1.33
STC Rating***	
1 Side	2 Sides
0.42	0.43

*** 3-5/8" metal studs with one layer of 5/8" drywall on both sides and ACOUSTIBuilt Panels on one or both sides.

PHYSICAL DATA

Material
Wet-formed mineral fiber.

Fire Performance
Class A: ASTM E84 and CAN/ULC S102 surface burning characteristics. Flame Spread of 25 or less. Smoke Developed of 50 or less.

ASTM E1264 Classification
Type IV, Form 2, Pattern G
Fire Class A

Humidity/Sag Resistance
HumiGuard® Plus ceiling panels are recommended for areas subject to high humidity, up to, but not including, standing water and outdoor applications.

Anti-Mold/Mildew
Ceiling tiles with White Fine Texture Finish offer BioBlock® performance and resist the growth of mold and mildew on the tile surface.

High Recycled Content
Contains greater than 50% total recycled content. Total recycled content based on product composition of post-consumer and pre-consumer (post-industrial) recycled content per FTC guidelines.

VOC Emissions
GREENGUARD Gold Certified
Third-party certified compliant with California Department of Public Health CDPH/EHLB/Standard Method Version 1.2, 2017. This standard is the guideline for low emissions in LEED®, WELL Building Standard™, Living Building Challenge® (LBC), CalGreen Title 24, ANSI/ASHRAE/USGBC/IES Standard 189; ANSI/GBI Green Building Assessment Protocol.

Design and Lighting Considerations
ACOUSTIBuilt® panels are intended for spaces desiring a Level 4 equivalent drywall finish. Critical lighting conditions such as grazing or side light are important to consider while specifying as they can accentuate any imperfections or visible joints.

Lighting and Diffuser Fixtures
Lighting and diffuser fixtures must be able to accommodate 7/8" thick panels. Contact the lighting and diffuser manufacturers for recommended fixture use and integration. ACOUSTIBuilt® is a non-accessible ceiling. Access panels can be integrated, as needed, following standard installation practices. Refer to access panel manufacturer to verify compatibility with 7/8" thick panels.

Acoustical Considerations
When installed as a cloud, average sound absorption is 0.80 Sabins/SF. The addition of acoustical infill panel item 8200T10



can increase sound absorption up to 1.33 Sabins/SF. Excessive integrations and/or small enclosed spaces where the ceiling is more compound than open area will result in degradation of sound absorption. Certain lighting conditions and/or colors may require an additional coat of Fine Texture Finish, resulting in a degradation of sound absorption. ACOUSTIBuilt® panels absorb the most sound when installed as full panels. Plan the layout to minimize panel joints and fixture integrations which cover the surface of the ceiling.

Insulation Value
R Factor – 2.2 (BTU Units)
R Factor – 0.39 (Watts Units)

Cleaning and Disinfecting
Cleaning and CDC recommended disinfecting options available on armstrongceilings.com/cleaning

10-Year Panel Warranty
Details at armstrongceilings.com/acoustibuilt

Weight; Square Feet/Carton
2604 – 1.1lbs/SF; 240 SF/ctn

Minimum Order Quantity
1 carton (10pcs)

ACOUSTIBuilt®
Seamless Acoustical Ceiling
and Wall System
fine texture

USDA
CERTIFIED
BIOBASED
PRODUCT
PRODUCT 96%

SUSTAIN*
High Performance
Sustainable Ceiling Systems
(white only)

Declare.

GREENGUARD
Gold Certified
(details below)

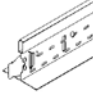

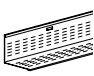
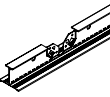

LEED® WELL™ LBC
UP TO **75% RECYCLED CONTENT**

energy management construction waste mgmt regional materials design for flexibility EPD recyclable/extended producer resp. biobased materials recycled content sourcing of raw materials material ingredient reporting low emitting materials lighting quality acoustics


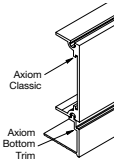
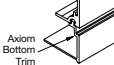
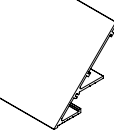
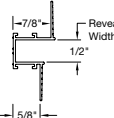
LOCATION DEPENDENT

Calculate sustainability with GreenGenie™
armstrongceilings.com/greengenie

SUSPENSION SYSTEMS – Order Separately

Item No.	Description	Required for Install	Qty/Ctn
HD8906	 12' HD Drywall Main Beam	Yes	12/144
XL8945P	 4' Drywall Cross Tee	Based on layout	36/144
KAM21020	 2 x 2 x 120" Knurled Angle Molding (0.033" metal thickness)	Based on layout	10/100
SSLU2424	 SimpleSoffit™ L Soffit Upturn 6-1/2 x 1-3/4 X 48-1/2"	N/A	12/48
7891	 12-gauge hanger wires 144" length	N/A	140 pcs

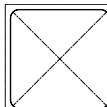
PERIMETER TRIM OPTIONS – Order Separately

Item No.	Description	Required for Install
AX1PC_STR AX1PC_CUR	 Axiom® One-Piece Drywall Trim available for 4" and 6" heights – straight or curved	Based on layout
AX_STR AX_CUR	 Axiom Classic Trim available in 2" to 16" heights (2" increments – straight or curved) with Axiom Bottom Trim for ACOUSTIBuilt®	Based on layout
AXBTASTR AXBTACUR	 Axiom Bottom Trim is required to use Axiom Classic and select Axiom Trims with ACOUSTIBuilt	Based on layout
AXAKEACBSTR	 Axiom® Angled Knife Edge® Trim for ACOUSTIBuilt – Inside or Outside Corner	Based on layout
ARM625500STR	 1/2" Wall reveal from 7/8" ACOUSTIBuilt to 5/8" Drywall	Based on layout

ACOUSTIBuilt® FINE TEXTURE FINISH PAINT – Order Separately




Item No.	Description	Required for Install
2605WH	 Fine Texture Finish for ACOUSTIBuilt® Panels (available in white and custom off-white tints)	For every 10 panels (240 SF) - order 1 pail (4 gal.) 200 SF on custom color applications


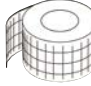

PLASTERFORM™ (GRG) ACCESS PANELS

Item No.	Description
PF-15030B	 30" x 30" Rounded Corner Access Panel
PF-15024B	24" x 24" Rounded Corner Access Panel
PF-15018B	18" x 18" Rounded Corner Access Panel

See more Plasterform Access Panel options at: armstrongceilings.com/plasterform

STANDARD ACCESSORIES BY OTHERS – Order Separately

Item No.	Description	Required for Install
Screws	 # 6 x 1-5/8" fine thread, corrosion resistant drywall screws # 6 x 1-5/8" coarse thread drywall screws (Used for Wall Installations)	Yes
Setting-Type Compound	 Fast-setting compound (hot mud)	Yes
Adhesive (Required for all ceiling and wall installations.)	 OSI® F38 Heavy Duty Drywall Adhesive or equivalent Requires approx. seven 28 oz tubes of adhesive per 240 SF.	Yes

Item No.	Description	Required for Install
Drying-Type Compound	 Ready-mixed lightweight compound	Yes
Tape	 Self-adhesive mesh drywall joint tape (for panel joints)	Yes
Paper Tape	 Paper drywall tape (For Corners)	Yes

ACOUSTIBuilt®
Seamless Acoustical Ceiling
and Wall System
fine texture

USDA
CERTIFIED
BIOBASED
PRODUCT
PRODUCT 98%

Declare.

SUSTAIN®
High Performance
Sustainable Ceiling Systems
(white only)
GREENGUARD
Gold Certified
(details below)

LEED® WELL™ LBC
UP TO 75% RECYCLED CONTENT
energy management
construction waste mgmt
regional materials
design for flexibility
EPD
recyclable/extended producer resp.
biobased materials
recycled content
sourcing of raw materials
material incident reporting
low emitting materials
lighting quality
acoustics

Calculate sustainability with GreenGenie™
armstrongceilings.com/greengenie

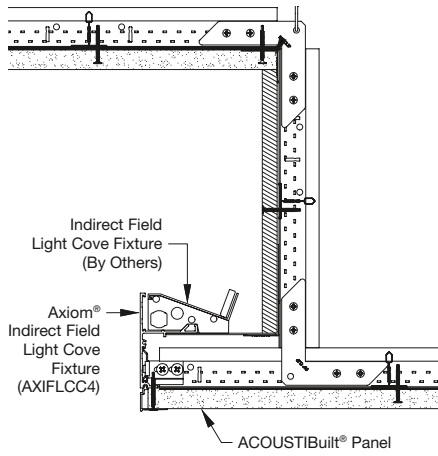


LIGHTING AND MEP INTEGRATION

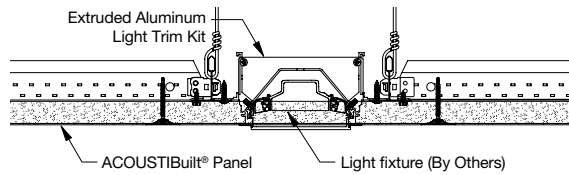
ACOUSTIBuilt® installed on Armstrong® Drywall Grid offers comparable compatibility to standard drywall and easily accommodates a wide variety of conventional and integrated lighting solutions from Armstrong lighting partners. Additional options include standard industry lighting that complements the module size, or pendant fixtures that hang below the ceiling system.



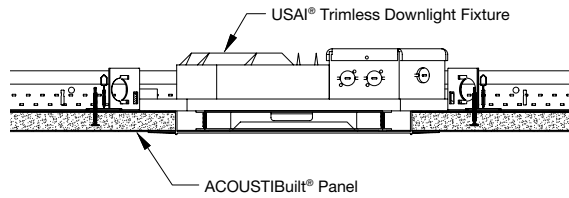
ACOUSTIBuilt® with Axiom® Indirect Field Light Cove



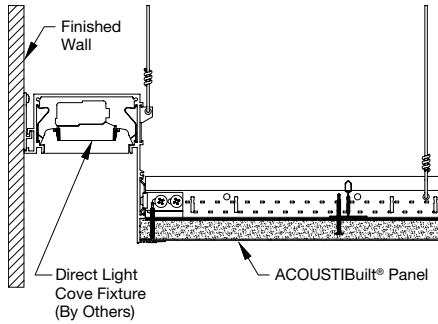
ACOUSTIBuilt® with Axiom® Linear Lighting



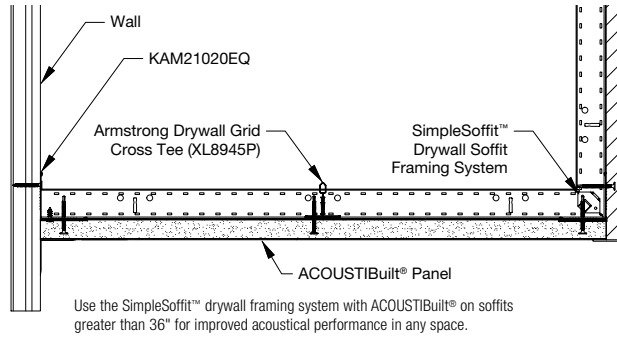
ACOUSTIBuilt® with Trimless Downlighting



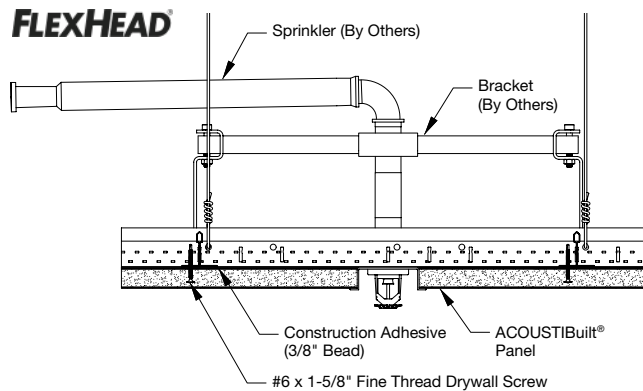
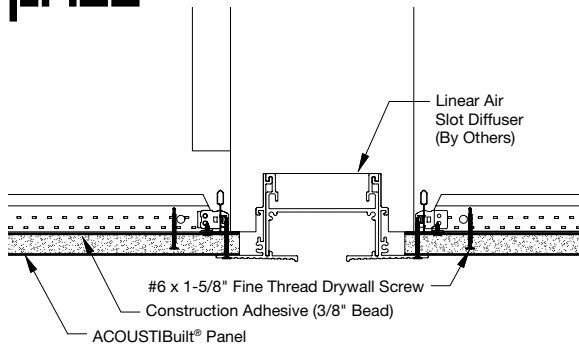
ACOUSTIBuilt® with Axiom® Direct Light Cove



ACOUSTIBuilt® WITH SimpleSoffit™



MEP PARTNERS



TAKE THE NEXT STEP

1 877 276 7876

Customer Service Representatives
7:45 a.m. to 5:00 p.m. EST
Monday through Friday

TechLine – Technical information, detail drawings, CAD design assistance, installation information, other technical services – 8:00 a.m. to 5:30 p.m. EST, Monday through Friday. FAX 1 800 572 8324 or email: techline@armstrongceilings.com

armstrongceilings.com/acoustibuilt

Latest product news
Standard and custom product information
Online catalog
CAD, Revit®, SketchUp® files
A Ceiling for Every Space® Visual Selection Tool
Product literature and samples – express service or regular delivery
Contacts – reps, where to buy, who will install

YOU INSPIRE™ SOLUTIONS CENTER

1 800 988 2585
email: solutionscenter@armstrongceilings.com
armstrongceilings.com/youinspire

Design Assistance

Collaborative design
Detail drawings
Specifications
Planning and budgeting

Pre-construction Assistance

Layout drawings for standard and premium products
Project installation recommendations
Contractor installation assistance

you inspire™
solutions center

helping to bring your one-of-a-kind ideas to life

Revit® is a trademark of Autodesk, Inc.; SketchUp® is a trademark of Trimble, Inc.; LEED® is a trademark of the U.S. Green Building Council; WELL™ and WELL Building Standard™ are trademarks of International WELL Building Institute; Declare® is a trademark of, and Living Building Challenge™ is a service mark of The International Living Future Institute; UL® is a trademark of UL, LLC.; USAI® is a trademark of USAI Lighting, LLC; FlexHead® is a trademark of Anvil International; Price® is a trademark of Price Industries Limited; Axis is owned by Axis Lighting Inc.; XAL is owned by XAL, LLC; All other trademarks used herein are the property of AWI Licensing LLC and/or its affiliates
© 2021 AWI Licensing LLC

armstrongceilings.com/acoustibuilt

On the cover: ▶
ACOUSTIBuilt® Seamless
Acoustical Ceiling System
Parker Poe Corporate Office
Charlotte, NC

Armstrong®
CEILING & WALL SOLUTIONS