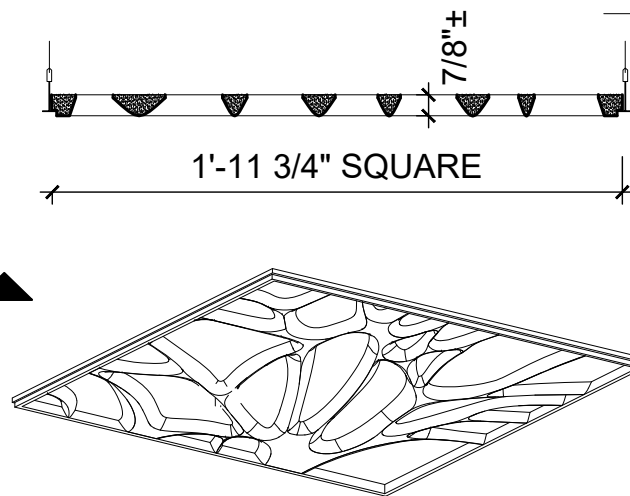
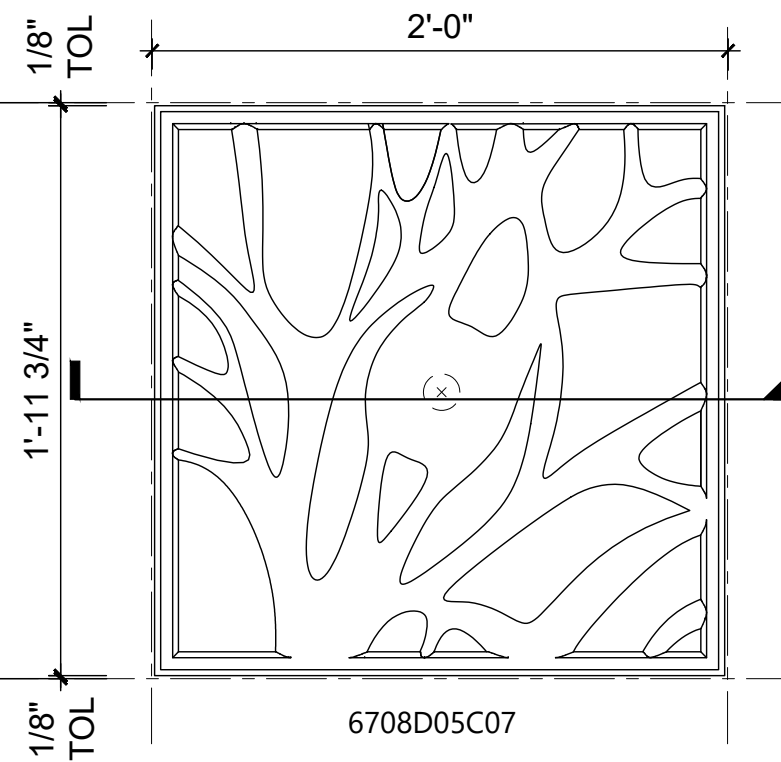


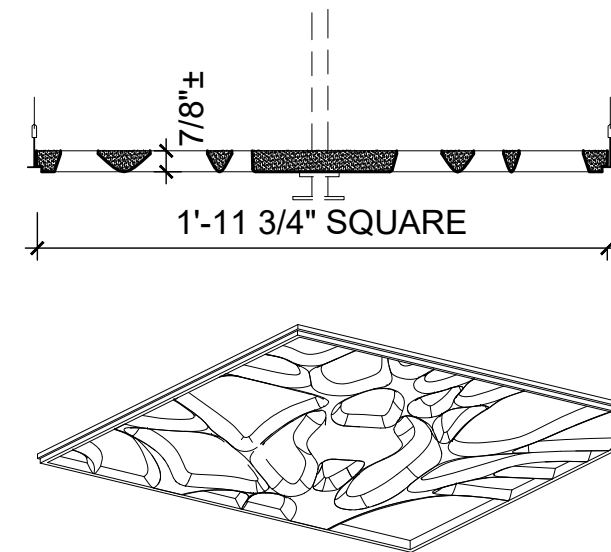
6708D05C01



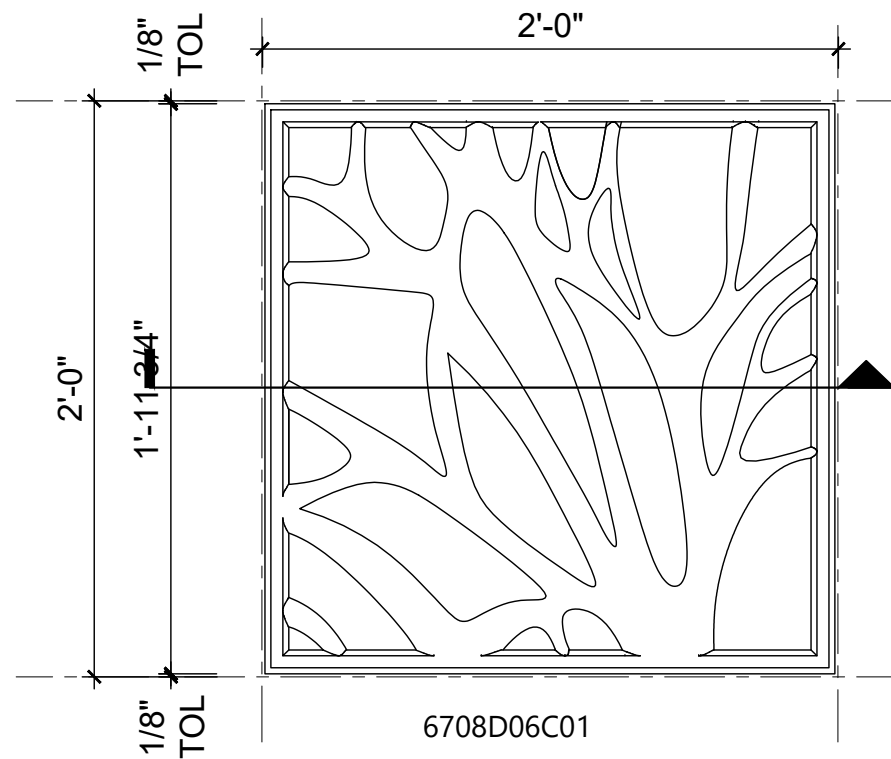
A REFLECTED CEILING PLAN (RCP) IS THE MIRROR IMAGE OF A FLOOR PLAN, REFER TO THE 3D VIEW FOR THE ACTUAL PANEL DESIGN.



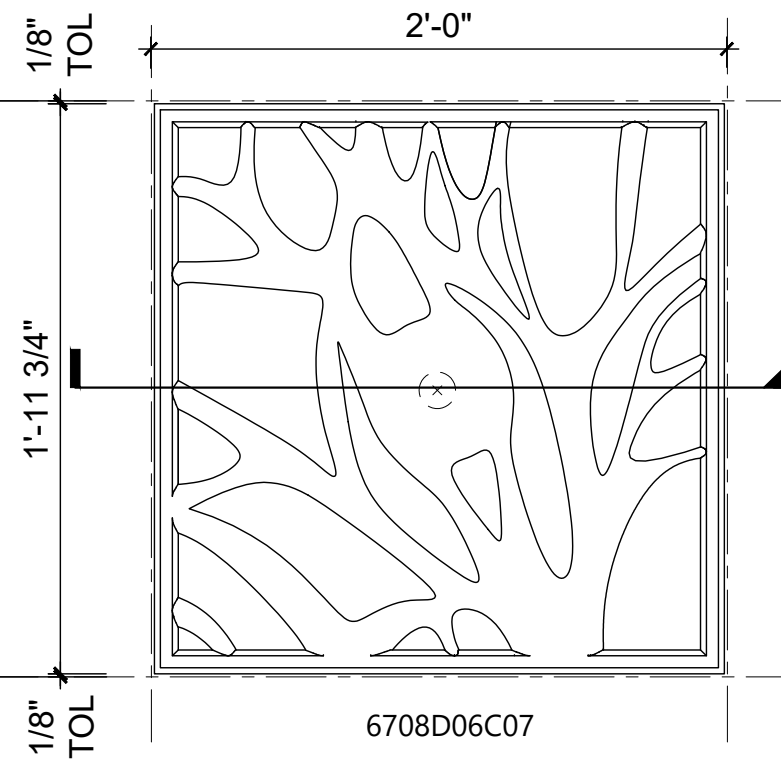
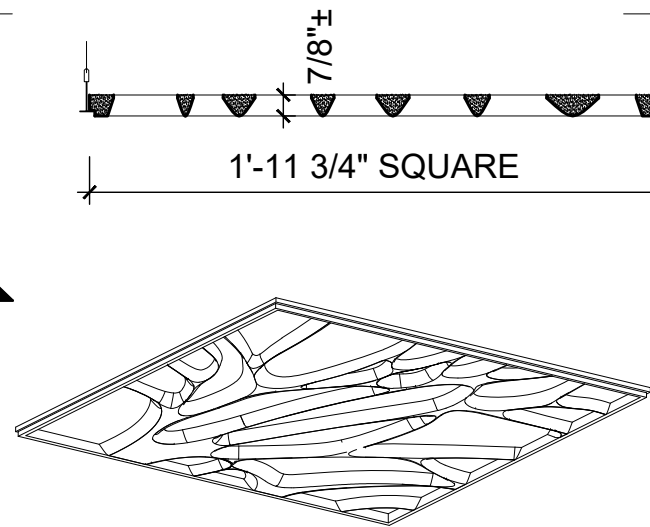
6708D05C07



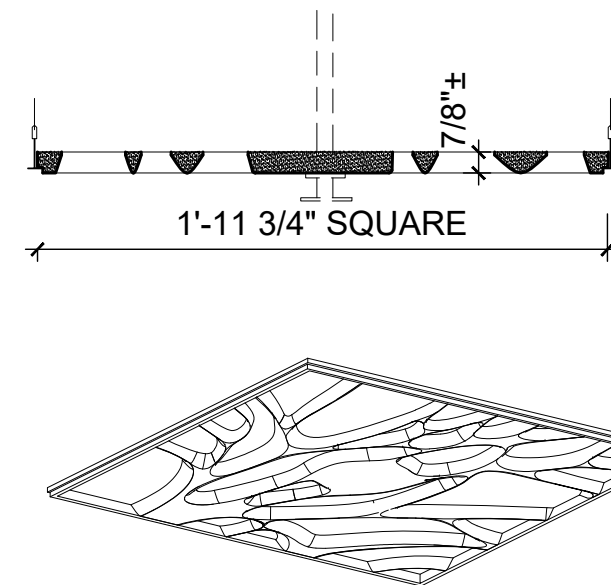
FIELD CUT FOR SPRINKLER HEAD, BY OTHERS



6708D06C01



6708D06C07



These drawings show typical conditions in which the Armstrong product depicted is installed. They are not a substitute for an architect's or engineer's plan and do not reflect the unique requirements of local building codes, laws, statutes, ordinances, rules and regulations (Legal Requirements) that may be applicable for a particular installation. Armstrong does not warrant, and assumes no liability for the accuracy or completeness of the drawings for a particular installation or their fitness for a particular purpose. The user is advised to consult with a duly licensed architect or engineer in the particular locale of the installation to assure compliance with all Legal Requirements. Armstrong is not licensed to provide professional architecture or engineering design services.

PROJECT NAME: METAPHORS CEILING PANEL			JOB NUMBER: DATE: 04-12-23		
REV:	DATE:	CUSTOMER APPROVAL: _____ APPROVAL DATE: _____	SCALE: AS NOTED		
REV:	DATE:		DESC.:		
REV:	DATE:		PROJECT MANAGER: MB		

BOTANICAL		
DRAWN BY: BM		
PROJECT MANAGER: MB		

Armstrong® World Industries		SHEET
D1		1 OF 1